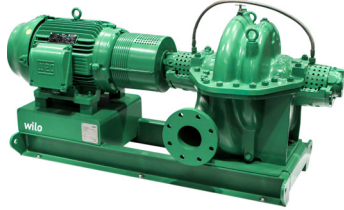


# Submittal Data Sheet

## Wilo SCP – Horizontal Split Case Pumps

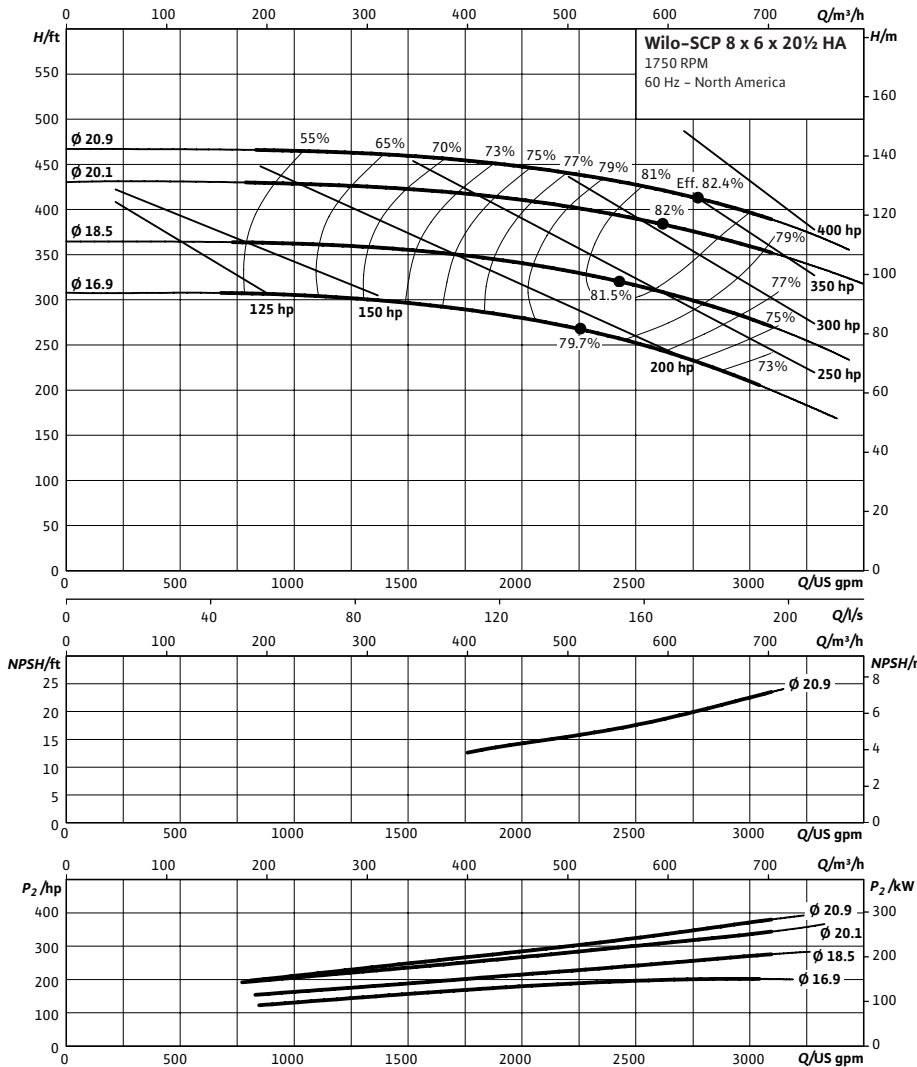


### SCP 8 x 6 x 20½ HA



Project:	
Engineer:	
Contractor:	
Submitted By:	Date:
Approved By:	Date:

Tag #	Model #	Flow (USGPM)	Head (Feet)	HP	Enclosure TEFC/ODP	Frame	Cycle	Phase	Voltage	RPM
	SCP 8 x 6 x 20½ HA						60 Hz	3		



#### Technical Data

##### Approved Fluids

Heating Water  
Cooling and cold water

Water-Glycol mixtures (for 20–40% glycol and fluid temp  $\leq 104^\circ\text{F}$  [ $40^\circ\text{C}$ ])

##### Fluid Temperature

Mechanical Seal: 18°F to 250°F (–8°C to 120°C)  
Stuffing Box Packing: 18°F to 220°F (–8°C to 105°C)

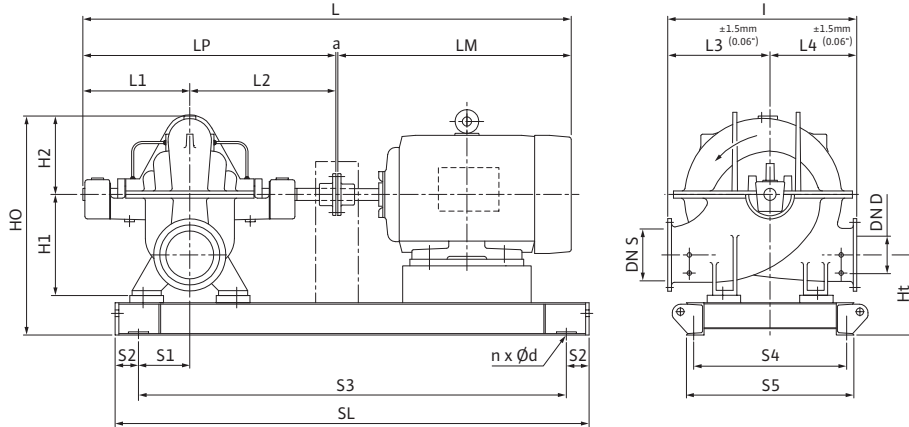
#### Materials of Construction

<input type="checkbox"/> Pump Housing	A48 Class 35
<input type="checkbox"/> Pump Housing (Optional)	Ni-resist BS 3468 Gr 2 / BS 2789 500.1
<input type="checkbox"/> Impeller	BS 84 C83 600
<input type="checkbox"/> Impeller (optional)	A48 Class 35 / BS 84 C83 600
<input type="checkbox"/> Stationary Wear Rings	BS 84 C93 700
<input type="checkbox"/> Pump Shaft	A276 type 410
<input type="checkbox"/> Pump Shaft (optional)	BS 970 316 S16
<input type="checkbox"/> Mechanical Seal	Carbon/silicon carbide/EPDM (E1)
<input type="checkbox"/> Other Mechanical Seals	Avail. on request
<input type="checkbox"/> Additional Spacer Coupling	Avail. on request
<input type="checkbox"/> Other:	

Approval Stamp

### Dimensional Drawing

### Single Stage Pump



### SCP 8 x 6 x 20½ HA

Dimensions - Inches (mm)

Frame	a	L	I	L1	L2	L3	L4	LM	LP	H1	H2	HO	Ht	n	Ød	S1	S2	S3	S4	S5	SL	P5	P6
405T	.50 (13)	89.13 (2264)	35.06 (891)	19.88 (505)	24.50 (622)	17.69 (449)	17.31 (440)	44.25 (1124)	44.38 (1127)	18.31 (465)	14.56 (370)	38.81 (986)	11.63 (295)	4	.91 (23)	8.19 (208)	4.00 (102)	60.06 (1526)	21.69 (551)	24.06 (611)	68.06 (1729)	-	-
444T	.50 (13)	89.13 (2264)	35.06 (891)	19.88 (505)	24.50 (622)	17.69 (449)	17.31 (440)	44.25 (1124)	44.38 (1127)	18.31 (465)	14.56 (370)	38.81 (986)	11.63 (295)	4	.91 (23)	8.19 (208)	4.00 (102)	53.19 (1356)	21.69 (551)	24.06 (611)	73.19 (1859)	-	-
445T/ 200 hp	.50 (13)	89.13 (2264)	35.06 (891)	19.88 (505)	24.50 (622)	17.69 (449)	17.31 (440)	44.25 (1124)	44.38 (1127)	18.31 (465)	14.56 (370)	38.81 (986)	11.63 (295)	4	.91 (23)	8.19 (208)	4.00 (102)	53.19 (1356)	21.69 (551)	24.06 (611)	73.19 (1859)	-	-
445T/ 250 hp	.19 (5)	95.31 (2345)	35.06 (891)	19.88 (505)	24.50 (622)	17.69 (449)	17.31 (440)	47.75 (1213)	44.38 (1127)	18.31 (465)	14.56 (370)	38.81 (986)	11.63 (295)	4	.91 (23)	8.19 (208)	4.00 (102)	65.94 (1675)	21.69 (551)	24.06 (611)	73.19 (1859)	-	-
445T/ 300 hp	.19 (5)	98.00 (2489)	35.06 (891)	19.88 (505)	24.50 (622)	17.69 (449)	17.31 (440)	53.38 (1356)	44.38 (1127)	18.31 (465)	14.56 (370)	38.81 (986)	11.63 (295)	4	.91 (23)	8.19 (208)	4.00 (102)	65.94 (1675)	21.69 (551)	24.06 (611)	73.19 (1859)	-	-
449T/ 350 hp	.19 (5)	98.00 (2489)	35.06 (891)	19.88 (505)	24.50 (622)	17.69 (449)	17.31 (440)	53.38 (1356)	44.38 (1127)	18.31 (465)	14.56 (370)	38.81 (986)	11.63 (295)	4	.91 (23)	8.19 (208)	4.00 (102)	74.19 (1884)	21.69 (551)	24.06 (611)	82.19 (2088)	-	-
449T/ 400 hp	.19 (5)	98.00 (2489)	35.06 (891)	19.88 (505)	24.50 (622)	17.69 (449)	17.31 (440)	53.38 (1356)	44.38 (1127)	18.31 (465)	14.56 (370)	38.81 (986)	11.63 (295)	4	.91 (23)	8.19 (208)	4.00 (102)	74.19 (1884)	21.69 (551)	24.06 (611)	82.19 (2088)	-	-

### Flange Dimensions – Suction Side

Dimensions - Inches (mm)

DN S #125	ØD	Ød	Øk	b	n	D2
8	13.50 (343)	10.63 (270)	11.75 (298)	1.13 (29)	8	.88 (22)

### Flange Dimensions – Discharge Side

Dimensions - Inches (mm)

DND 125#	ØD	Ød	Øk	b	n	D2
6	11.00 (279)	8.50 (216)	9.50 (241)	1.00 (25)	8	.88 (22)

