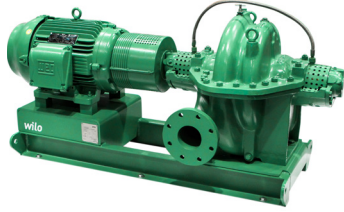


Submittal Data Sheet

Wilo SCP – Horizontal Split Case Pumps

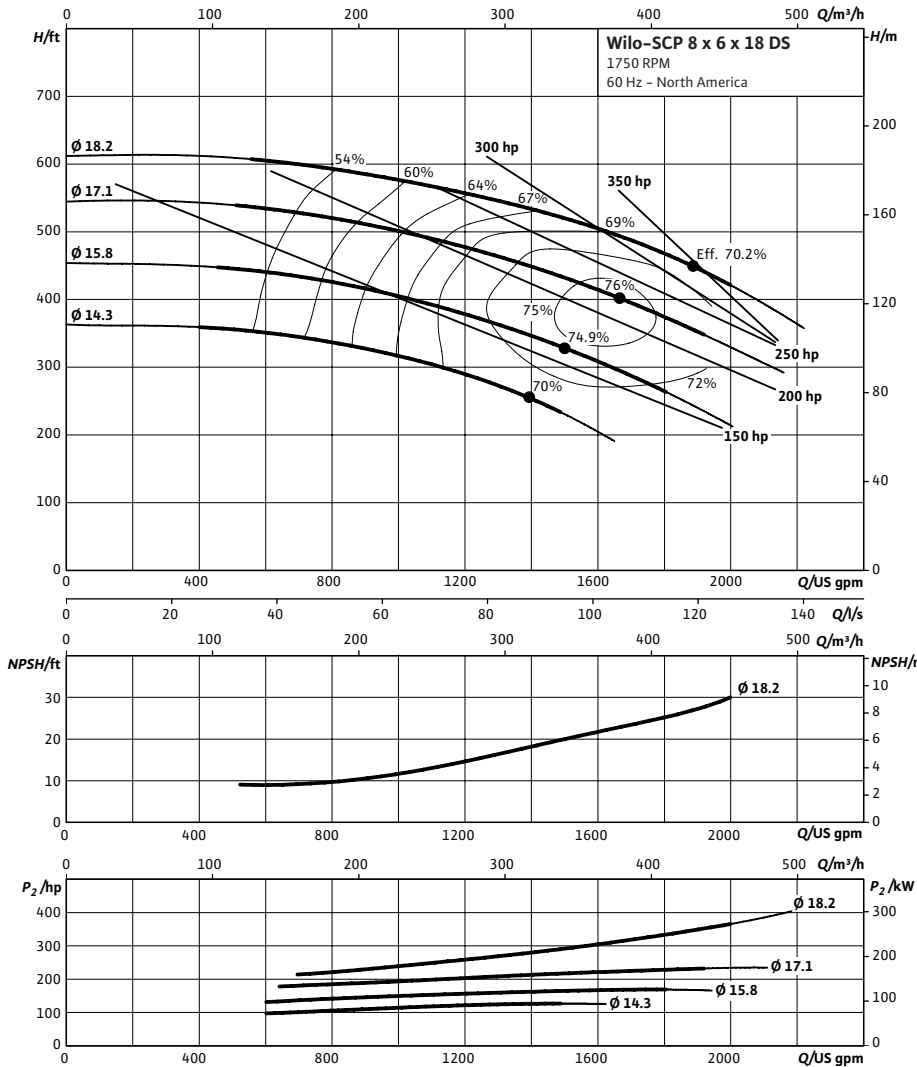


SCP 8 x 6 x 18 DS



Project:	
Engineer:	
Contractor:	
Submitted By:	Date:
Approved By:	Date:

Tag #	Model #	Flow (USGPM)	Head (Feet)	HP	Enclosure TEFC/ODP	Frame	Cycle	Phase	Voltage	RPM
	SCP 8 x 6 x 18 DS						60 Hz	3		



Technical Data

Approved Fluids

Heating Water
Cooling and cold water

Water-Glycol mixtures (for 20–40% glycol and fluid temp ≤ 104°F [40°C])

Fluid Temperature

Mechanical Seal 18°F to 250°F (–8°C to 120°C)
Stuffing Box Packing 18°F to 220°F (–8°C to 105°C)

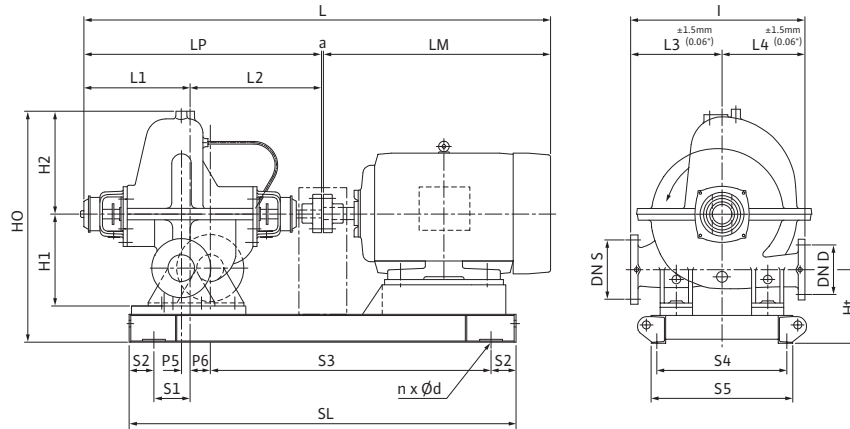
Materials of Construction

<input type="checkbox"/> Pump Housing	A48 Class 35
<input type="checkbox"/> Pump Housing (Optional)	Ni-resist BS 3468 Gr 2 / BS 2789 500.1
<input type="checkbox"/> Impeller	BS 84 C83 600
<input type="checkbox"/> Impeller (optional)	A48 Class 35 / BS 84 C83 600
<input type="checkbox"/> Stationary Wear Rings	BS 84 C93 700
<input type="checkbox"/> Pump Shaft	A276 type 410
<input type="checkbox"/> Pump Shaft (optional)	BS 970 316 S16
<input type="checkbox"/> Mechanical Seal	Carbon/silicon carbide/EPDM (E1)
<input type="checkbox"/> Other Mechanical Seals	Avail. on request
<input type="checkbox"/> Additional Spacer Coupling	Avail. on request
<input type="checkbox"/> Other:	

Approval Stamp

Dimensional Drawing

Dual Stage Pump



SCP 8 x 6 x 18 DS

Dimensions – Inches (mm)

Frame	a	L	I	L1	L2	L3	L4	LM	LP	H1	H2	HO	Ht	n	Ød	S1	S2	S3	S4	S5	SL	P5	P6
364T	.50 (13)	92.75 (2356)	30.31 (770)	21.88 (556)	26.19 (665)	17.31 (440)	13.00 (330)	44.25 (1124)	48.00 (1219)	18.50 (470)	12.50 (318)	36.81 (935)	14.50 (368)	4	.91 (23)	8.38 (213)	4.00 (102)	67.06 (1703)	21.56 (548)	23.88 (607)	75.06 (1907)	2.75 (70)	8.25 (210)
404T	.50 (13)	92.75 (2356)	30.31 (770)	21.88 (556)	26.19 (665)	17.31 (440)	13.00 (330)	44.25 (1124)	48.00 (1219)	18.50 (470)	12.50 (318)	36.81 (935)	14.50 (368)	4	.91 (23)	8.38 (213)	4.00 (102)	67.06 (1703)	21.56 (548)	23.88 (607)	75.06 (1907)	2.75 (70)	8.25 (210)
405T	.19 (5)	96.00 (2438)	30.31 (770)	21.88 (556)	26.19 (665)	17.31 (440)	13.00 (330)	47.75 (1213)	48.00 (1219)	18.50 (470)	12.50 (318)	36.81 (935)	14.50 (368)	4	.91 (23)	8.38 (213)	4.00 (102)	67.75 (1721)	21.56 (548)	23.88 (607)	75.75 (1924)	2.75 (70)	8.25 (210)
444T	.19 (5)	101.63 (2581)	30.31 (770)	21.88 (556)	26.19 (665)	17.31 (440)	13.00 (330)	53.38 (1356)	48.00 (1219)	18.50 (470)	12.50 (318)	36.81 (935)	14.50 (368)	4	.91 (23)	8.38 (213)	4.00 (102)	67.75 (1721)	21.56 (548)	23.88 (607)	75.75 (1924)	2.75 (70)	8.25 (210)
445T	.19 (5)	101.63 (2581)	30.31 (770)	21.88 (556)	26.19 (665)	17.31 (440)	13.00 (330)	53.38 (1356)	48.00 (1219)	18.50 (470)	12.50 (318)	36.81 (935)	14.50 (368)	4	.91 (23)	8.38 (213)	4.00 (102)	76.00 (1930)	21.06 (535)	23.38 (594)	84.00 (2134)	2.75 (70)	8.25 (210)

Flange Dimensions – Suction Side

Dimensions – Inches (mm)

DN S #125	ØD	Ød	Øk	b	n	D2
8	13.50 (343)	10.63 (270)	11.75 (298)	1.13 (29)	8	.88 (22)

Flange Dimensions – Discharge Side

Dimensions – Inches (mm)

DN D 125#	ØD	Ød	Øk	b	n	D2
6	11.00 (279)	8.50 (216)	9.50 (241)	1.00 (25)	8	.88 (22)

