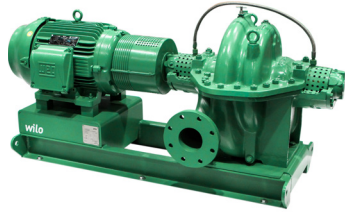


Submittal Data Sheet

Wilo SCP – Horizontal Split Case Pumps

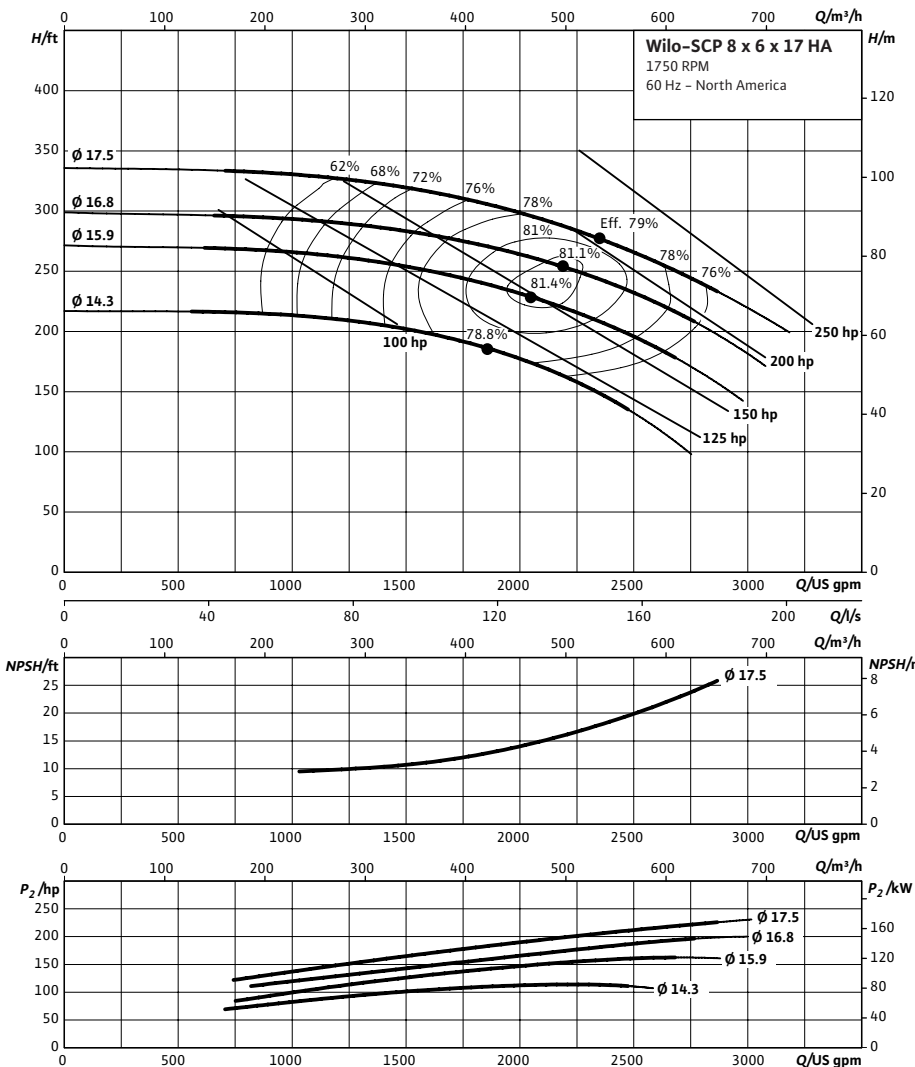


SCP 8 x 6 x 17 HA



Project:										
Engineer:										
Contractor:										
Submitted By:							Date:			
Approved By:							Date:			

Tag #	Model #	Flow (USGPM)	Head (Feet)	HP	Enclosure TEFC/ODP	Frame	Cycle	Phase	Voltage	RPM
	SCP 8 x 6 x 17 HA						60 Hz	3		



Technical Data

Approved Fluids	
Heating Water	
Cooling and cold water	
Water-Glycol mixtures (for 20-40% glycol and fluid temp ≤ 104°F [40°C])	
Fluid Temperature	
Mechanical Seal	18°F to 250°F (-8°C to 120°C)
Stuffing Box Packing	18°F to 220°F (-8°C to 105°C)

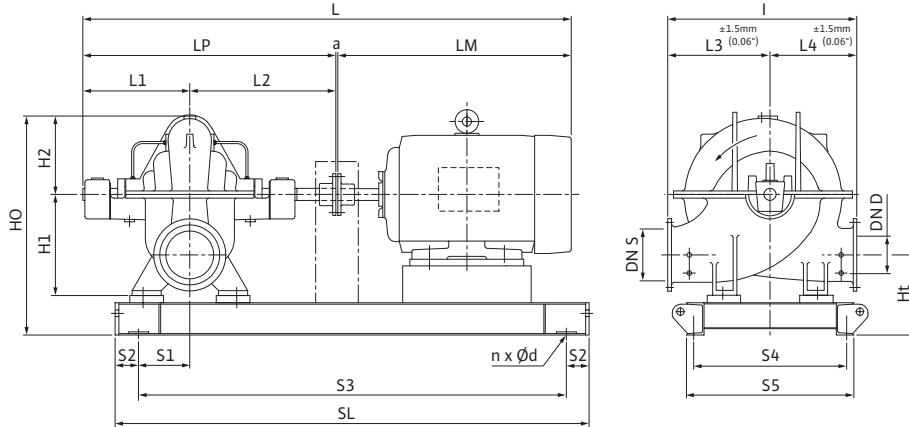
Materials of Construction

<input type="checkbox"/> Pump Housing	A48 Class 35
<input type="checkbox"/> Pump Housing (Optional)	Ni-resist BS 3468 Gr 2 / BS 2789 500.1
<input type="checkbox"/> Impeller	BS 84 C83 600
<input type="checkbox"/> Impeller (optional)	A48 Class 35 / BS 84 C83 600
<input type="checkbox"/> Stationary Wear Rings	BS 84 C93 700
<input type="checkbox"/> Pump Shaft	A276 type 410
<input type="checkbox"/> Pump Shaft (optional)	BS 970 316 S16
<input type="checkbox"/> Mechanical Seal	Carbon/silicon carbide/EPDM (E1)
<input type="checkbox"/> Other Mechanical Seals	Avail. on request
<input type="checkbox"/> Additional Spacer Coupling	Avail. on request
<input type="checkbox"/> Other:	

Approval Stamp

Dimensional Drawing

Single Stage Pump



SCP 8 x 6 x 17 HA

Dimensions - Inches (mm)

Frame	a	L	I	L1	L2	L3	L4	LM	LP	H1	H2	HO	Ht	n	Ød	S1	S2	S3	S4	S5	SL	P5	P6
404T	.50 (13)	72.56 (1843)	32.00 (813)	16.19 (411)	18.69 (475)	17.00 (432)	15.00 (381)	37.25 (946)	34.81 (884)	16.75 (425)	12.00 (305)	39.56 (878)	11.75 (298)	4	.91 (23)	6.25 (159)	4.00 (102)	52.25 (1327)	18.50 (470)	20.88 (531)	60.25 (1530)	-	-
405T	.50 (13)	79.56 (2021)	32.00 (813)	16.19 (411)	18.69 (475)	17.00 (432)	15.00 (381)	44.25 (1124)	34.81 (884)	16.75 (425)	12.00 (305)	39.56 (878)	11.75 (298)	4	.91 (23)	6.25 (159)	4.00 (102)	52.25 (1327)	18.50 (470)	20.88 (531)	60.25 (1530)	-	-
444T	.50 (13)	79.56 (2021)	32.00 (813)	16.19 (411)	18.69 (475)	17.00 (432)	15.00 (381)	44.25 (1124)	34.81 (884)	16.75 (425)	12.00 (305)	39.56 (878)	11.75 (298)	4	.91 (23)	6.25 (159)	4.00 (102)	57.38 (1457)	21.56 (548)	23.88 (607)	65.38 (1661)	-	-
445T/ 200 hp	.50 (13)	79.56 (2021)	32.00 (813)	16.19 (411)	18.69 (475)	17.00 (432)	15.00 (381)	44.25 (1124)	34.81 (884)	16.75 (425)	12.00 (305)	39.56 (878)	11.75 (298)	4	.91 (23)	6.25 (159)	4.00 (102)	57.38 (1457)	21.56 (548)	23.88 (607)	65.38 (1661)	-	-
445T/ 250 hp	.19 (5)	82.81 (2103)	32.00 (813)	16.19 (411)	18.69 (475)	17.00 (432)	15.00 (381)	47.75 (1213)	34.81 (884)	16.75 (425)	12.00 (305)	39.56 (878)	11.75 (298)	4	.91 (23)	6.25 (159)	4.00 (102)	58.13 (1477)	21.56 (548)	23.88 (607)	66.13 (1680)	-	-

Flange Dimensions – Suction Side

Dimensions - Inches (mm)

DN S #125	ØD	Ød	Øk	b	n	D2
8	13.50 (343)	10.63 (270)	11.75 (298)	1.13 (29)	8	.88 (22)

Flange Dimensions – Discharge Side

Dimensions - Inches (mm)

DN D 125#	ØD	Ød	Øk	b	n	D2
6	11.00 (279)	8.50 (216)	9.50 (241)	1.00 (25)	8	.88 (22)

