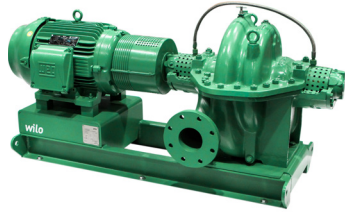


Submittal Data Sheet

Wilco SCP - Horizontal Split Case Pumps

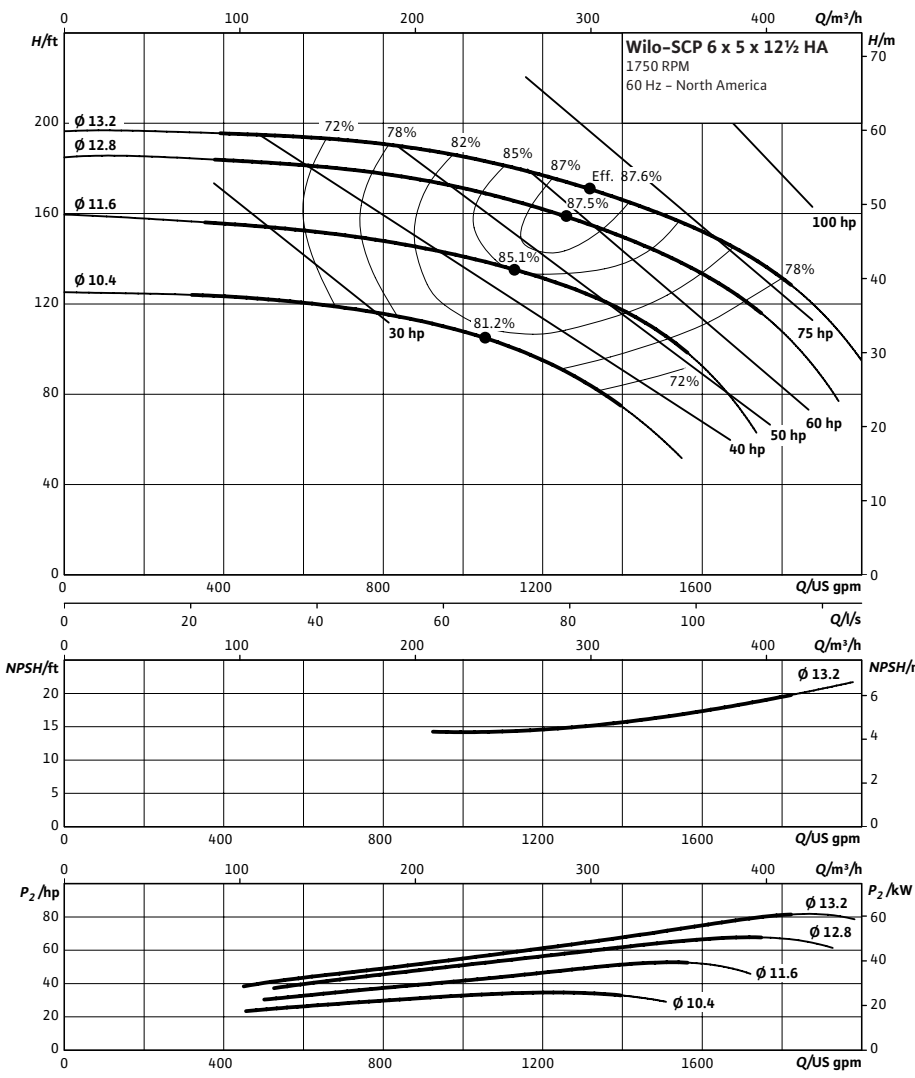


SCP 6 x 5 x 12½ HA



| | |
|---------------|-------|
| Project: | |
| Engineer: | |
| Contractor: | |
| Submitted By: | Date: |
| Approved By: | Date: |

| Tag # | Model # | Flow (USGPM) | Head (Feet) | HP | Enclosure TEFC/ODP | Frame | Cycle | Phase | Voltage | RPM |
|-------|--------------------|--------------|-------------|----|--------------------|-------|-------|-------|---------|-----|
| | SCP 6 x 5 x 12½ HA | | | | | | 60 Hz | 3 | | |



Technical Data

| | |
|---|-------------------------------|
| Approved Fluids | |
| Heating Water | |
| Cooling and cold water | |
| Water-Glycol mixtures (for 20-40% glycol and fluid temp ≤ 104°F [40°C]) | |
| Fluid Temperature | |
| Mechanical Seal | 18°F to 250°F (-8°C to 120°C) |
| Stuffing Box Packing | 18°F to 220°F (-8°C to 105°C) |

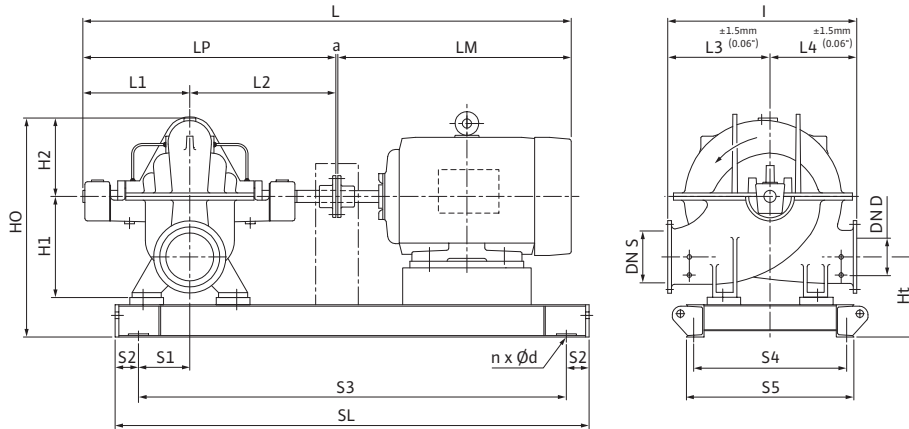
Materials of Construction

| | |
|---|--|
| <input type="checkbox"/> Pump Housing | A48 Class 35 |
| <input type="checkbox"/> Pump Housing (Optional) | Ni-resist BS 3468 Gr 2 / BS 2789 500.1 |
| <input type="checkbox"/> Impeller | BS 84 C83 600 |
| <input type="checkbox"/> Impeller (optional) | A48 Class 35 / BS 84 C83 600 |
| <input type="checkbox"/> Stationary Wear Rings | BS 84 C93 700 |
| <input type="checkbox"/> Pump Shaft | A276 type 410 |
| <input type="checkbox"/> Pump Shaft (optional) | BS 970 316 S16 |
| <input type="checkbox"/> Mechanical Seal | Carbon/silicon carbide/EPDM (E1) |
| <input type="checkbox"/> Other Mechanical Seals | Avail. on request |
| <input type="checkbox"/> Additional Spacer Coupling | Avail. on request |
| <input type="checkbox"/> Other: | |

Approval Stamp

Dimensional Drawing

Single Stage Pump



SCP 6 x 5 x 12½ HA

Dimensions - Inches (mm)

| Frame | a | L | I | L1 | L2 | L3 | L4 | LM | LP | H1 | H2 | HO | Ht | n | Ød | S1 | S2 | S3 | S4 | S5 | SL | P5 | P6 |
|-------|-------------|-----------------|----------------|----------------|----------------|----------------|----------------|----------------|----------------|----------------|---------------|----------------|---------------|---|-------------|---------------|---------------|-----------------|----------------|----------------|-----------------|----|----|
| 286T | .50 (13) | 60.06 (1526) | 25.06 (637) | 15.63 (397) | 18.06 (459) | 13.75 (349) | 11.25 (286) | 25.94 (659) | 33.63 (854) | 12.63 (321) | 9.44 (240) | 27.69 (703) | 9.88 (251) | 4 | .91 (23) | 4.25 (108) | 4.00 (102) | 41.81 (1062) | 12.31 (313) | 14.63 (372) | 49.81 (1265) | - | - |
| 324T | .50 (13) | 54.50 (1638) | 25.06 (637) | 15.63 (397) | 18.06 (459) | 13.75 (349) | 11.25 (286) | 30.38 (772) | 33.63 (854) | 12.63 (321) | 9.44 (240) | 27.69 (703) | 9.88 (251) | 4 | .91 (23) | 4.25 (108) | 4.00 (102) | 44.19 (1122) | 14.31 (363) | 15.63 (422) | 52.19 (1326) | - | - |
| 326T | .50 (13) | 54.50 (1638) | 25.06 (637) | 15.63 (397) | 18.06 (459) | 13.75 (349) | 11.25 (286) | 30.38 (772) | 33.63 (854) | 12.63 (321) | 9.44 (240) | 27.69 (703) | 9.88 (251) | 4 | .91 (23) | 4.25 (108) | 4.00 (102) | 44.19 (1122) | 14.31 (363) | 15.63 (422) | 52.19 (1326) | - | - |
| 364T | .50 (13) | 67.13 (1705) | 25.06 (637) | 15.63 (397) | 18.06 (459) | 13.75 (349) | 11.25 (286) | 33.00 (838) | 33.63 (854) | 12.63 (321) | 9.44 (240) | 27.69 (703) | 9.88 (251) | 4 | .91 (23) | 4.25 (108) | 4.00 (102) | 45.69 (1161) | 15.81 (402) | 18.13 (461) | 53.69 (1364) | - | - |
| 365T | .50 (13) | 67.13 (1705) | 25.06 (637) | 15.63 (397) | 18.06 (459) | 13.75 (349) | 11.25 (286) | 33.00 (838) | 33.63 (854) | 12.63 (321) | 9.44 (240) | 27.69 (703) | 9.88 (251) | 4 | .91 (23) | 4.25 (108) | 4.00 (102) | 45.69 (1161) | 15.81 (402) | 18.13 (461) | 53.69 (1364) | - | - |
| 404T | .50 (13) | 71.38 (1813) | 25.06 (637) | 15.63 (397) | 18.06 (459) | 13.75 (349) | 11.25 (286) | 37.25 (946) | 33.63 (854) | 12.63 (321) | 9.44 (240) | 27.69 (703) | 9.88 (251) | 4 | .91 (23) | 4.25 (108) | 4.00 (102) | 49.69 (1262) | 18.50 (470) | 20.88 (530) | 57.69 (1465) | - | - |

Flange Dimensions – Suction Side

Dimensions - Inches (mm)

| DN S #125 | ØD | Ød | Øk | b | n | D2 |
|-----------|----------------|---------------|---------------|--------------|---|-------------|
| 6 | 11.00 (279) | 8.50 (216) | 9.50 (241) | 1.00 (25) | 8 | .88 (22) |

Flange Dimensions – Discharge Side

Dimensions - Inches (mm)

| DN D 125# | ØD | Ød | Øk | b | n | D2 |
|-----------|----------------|---------------|---------------|-------------|---|-------------|
| 5 | 10.00 (254) | 7.31 (186) | 8.50 (216) | .94 (24) | 8 | .88 (22) |

