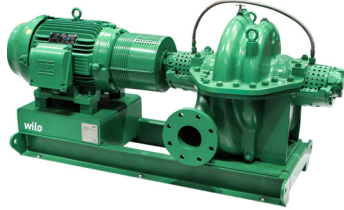


Submittal Data Sheet

Wilo SCP - Horizontal Split Case Pumps

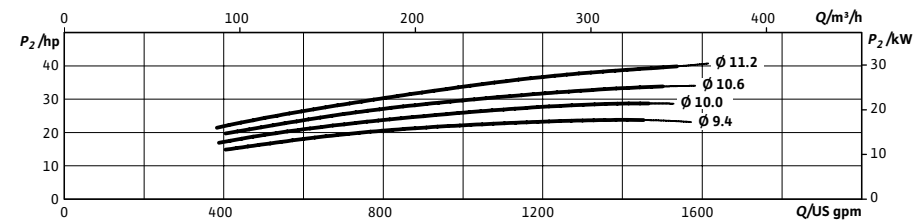
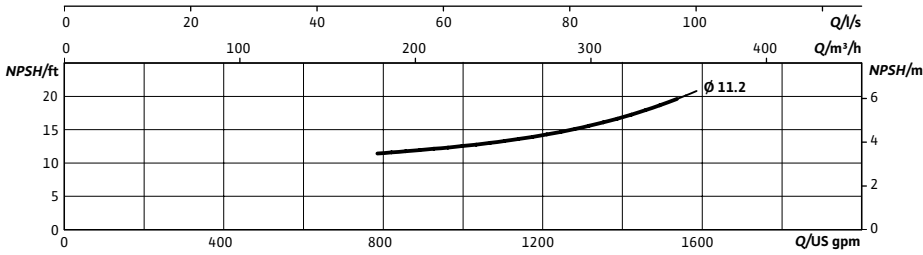
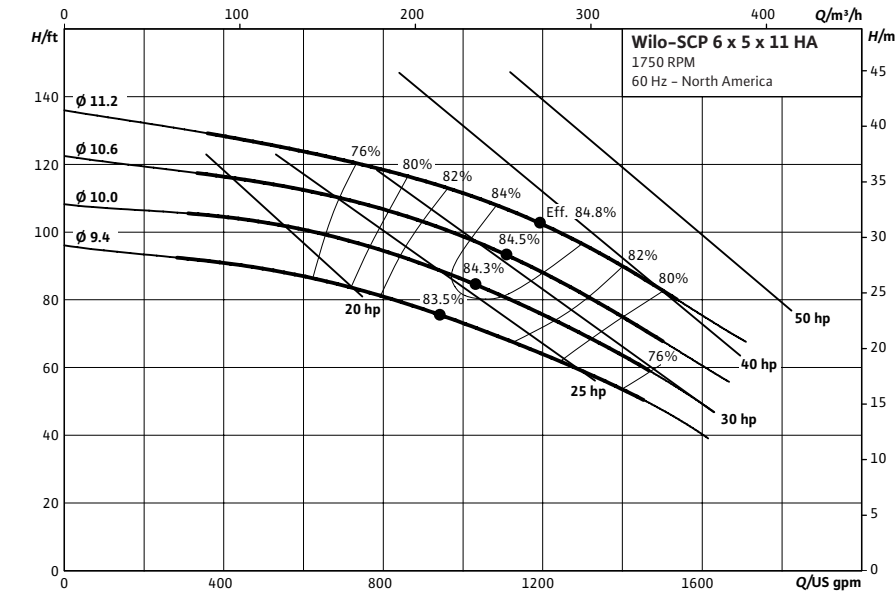


SCP 6 x 5 x 11 HA



Project:	
Engineer:	
Contractor:	
Submitted By:	Date:
Approved By:	Date:

Tag #	Model #	Flow (USGPM)	Head (Feet)	HP	Enclosure TEFC/ODP	Frame	Cycle	Phase	Voltage	RPM
	SCP 6 x 5 x 11 HA						60 Hz	3		



Technical Data

Approved Fluids

Heating Water
Cooling and cold water

Water-Glycol mixtures (for 20-40% glycol and fluid temp ≤ 104°F [40°C])

Fluid Temperature

Mechanical Seal: 18°F to 250°F (-8°C to 120°C)
Stuffing Box Packing: 18°F to 220°F (-8°C to 105°C)

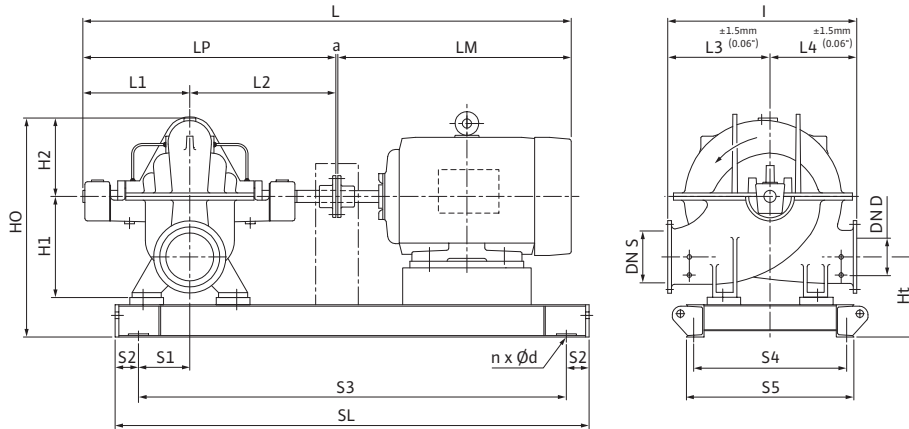
Materials of Construction

<input type="checkbox"/>	Pump Housing	A48 Class 35
<input type="checkbox"/>	Pump Housing (Optional)	Ni-resist BS 3468 Gr 2 / BS 2789 500.1
<input type="checkbox"/>	Impeller	BS 84 C83 600
<input type="checkbox"/>	Impeller (optional)	A48 Class 35 / BS 84 C83 600
<input type="checkbox"/>	Stationary Wear Rings	BS 84 C93 700
<input type="checkbox"/>	Pump Shaft	A276 type 410
<input type="checkbox"/>	Pump Shaft (optional)	BS 970 316 S16
<input type="checkbox"/>	Mechanical Seal	Carbon/silicon carbide/EPDM (E1)
<input type="checkbox"/>	Other Mechanical Seals	Avail. on request
<input type="checkbox"/>	Additional Spacer Coupling	Avail. on request
<input type="checkbox"/>	Other:	

Approval Stamp

Dimensional Drawing

Single Stage Pump



SCP 6 x 5 x 11 HA

Dimensions - Inches (mm)

Frame	a	L	I	L1	L2	L3	L4	LM	LP	H1	H2	HO	Ht	n	Ød	S1	S2	S3	S4	S5	SL	P5	P6
256T	.50 (13)	57.31 (1456)	24.63 (626)	15.63 (397)	18.06 (459)	13.75 (349)	10.81 (275)	23.19 (589)	33.63 (854)	12.63 (321)	9.44 (240)	27.69 (703)	9.88 (251)	4	.91 (23)	4.25 (108)	4.00 (102)	39.69 (1008)	12.63 (321)	15.00 (381)	47.69 (1211)	-	-
284T	.50 (13)	60.06 (1526)	24.63 (626)	15.63 (397)	18.06 (459)	13.75 (349)	10.81 (275)	25.94 (659)	33.63 (854)	12.63 (321)	9.44 (240)	27.69 (703)	9.88 (251)	4	.91 (23)	4.25 (108)	4.00 (102)	41.81 (1062)	12.31 (364)	14.63 (372)	49.81 (1265)	-	-
286T	.50 (13)	60.06 (1526)	24.63 (626)	15.63 (397)	18.06 (459)	13.75 (349)	10.81 (275)	25.94 (659)	33.63 (854)	12.63 (321)	9.44 (240)	27.69 (703)	9.88 (251)	4	.91 (23)	4.25 (108)	4.00 (102)	41.81 (1062)	12.31 (364)	14.63 (372)	49.81 (1265)	-	-
324T	.50 (13)	54.50 (1638)	24.63 (626)	15.63 (397)	18.06 (459)	13.75 (349)	10.81 (275)	30.38 (772)	33.63 (854)	12.63 (321)	9.44 (240)	27.69 (703)	9.88 (251)	4	.91 (23)	4.25 (108)	4.00 (102)	44.19 (1122)	14.31 (364)	16.63 (422)	52.19 (1325)	-	-
326T	.50 (13)	54.50 (1638)	24.63 (626)	15.63 (397)	18.06 (459)	13.75 (349)	10.81 (275)	30.38 (772)	33.63 (854)	12.63 (321)	9.44 (240)	27.69 (703)	9.88 (251)	4	.91 (23)	4.25 (108)	4.00 (102)	44.19 (1122)	14.31 (364)	16.63 (422)	52.19 (1325)	-	-

Flange Dimensions – Suction Side

Dimensions - Inches (mm)

DN S #125	ØD	Ød	Øk	b	n	D2
6	11.00 (279)	8.50 (216)	9.50 (241)	1.00 (25)	8	.88 (22)

Flange Dimensions – Discharge Side

Dimensions - Inches (mm)

DN D 125#	ØD	Ød	Øk	b	n	D2
5	10.00 (254)	7.31 (186)	8.50 (216)	.94 (24)	8	.88 (22)

