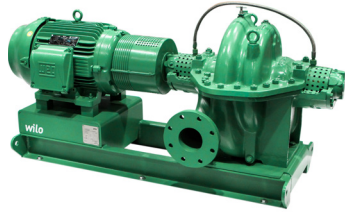


Submittal Data Sheet

Wilo SCP – Horizontal Split Case Pumps

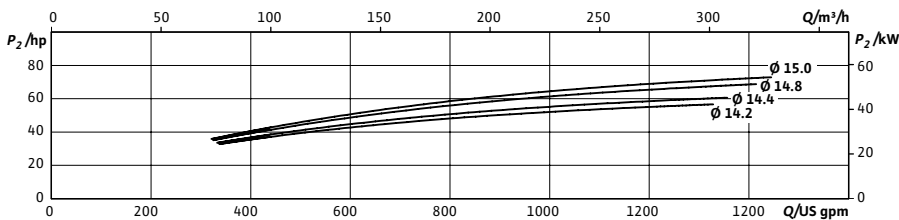
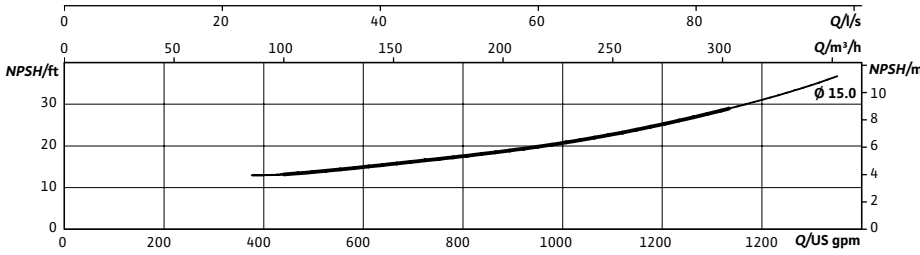
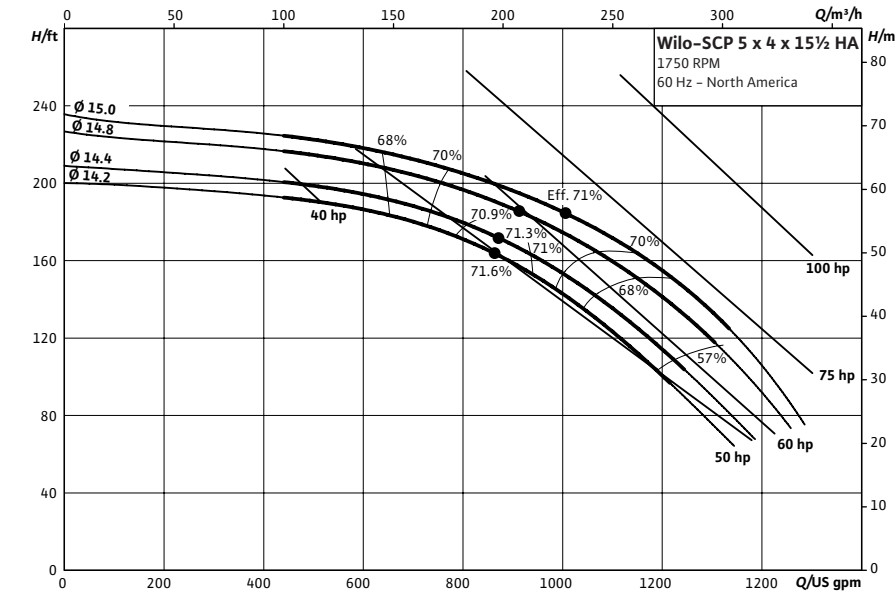


SCP 5 x 4 x 15½ HA



Project:	
Engineer:	
Contractor:	
Submitted By:	Date:
Approved By:	Date:

Tag #	Model #	Flow (USGPM)	Head (Feet)	HP	Enclosure TEFC/ODP	Frame	Cycle	Phase	Voltage	RPM
	SCP 5 x 4 x 15½ HA						60 Hz	3		



Technical Data

Approved Fluids

Heating Water
Cooling and cold water

Water-Glycol mixtures (for 20-40% glycol and fluid temp ≤ 104°F [40°C])

Fluid Temperature

Mechanical Seal 18°F to 250°F (-8°C to 120°C)
Stuffing Box Packing 18°F to 220°F (-8°C to 105°C)

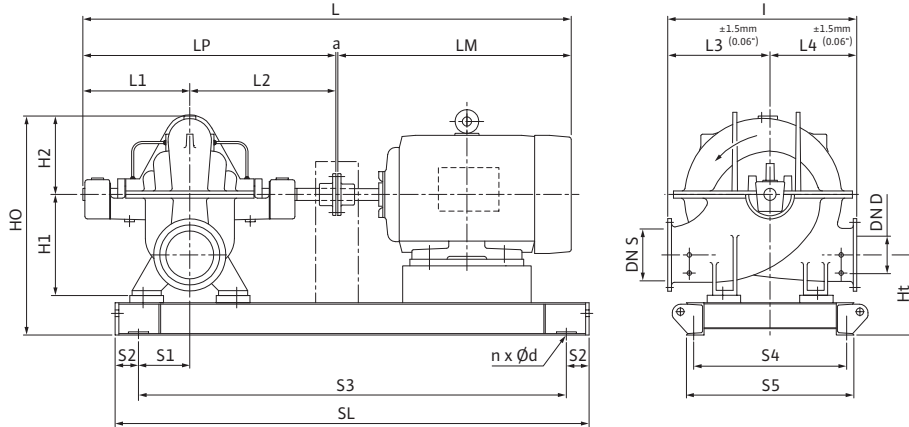
Materials of Construction

<input type="checkbox"/> Pump Housing	A48 Class 35
<input type="checkbox"/> Pump Housing (Optional)	Ni-resist BS 3468 Gr 2 / BS 2789 500.1
<input type="checkbox"/> Impeller	BS 84 C83 600
<input type="checkbox"/> Impeller (optional)	A48 Class 35 / BS 84 C83 600
<input type="checkbox"/> Stationary Wear Rings	BS 84 C93 700
<input type="checkbox"/> Pump Shaft	A276 type 410
<input type="checkbox"/> Pump Shaft (optional)	BS 970 316 S16
<input type="checkbox"/> Mechanical Seal	Carbon/silicon carbide/EPDM (E1)
<input type="checkbox"/> Other Mechanical Seals	Avail. on request
<input type="checkbox"/> Additional Spacer Coupling	Avail. on request
<input type="checkbox"/> Other:	

Approval Stamp

Dimensional Drawing

Single Stage Pump



SCP 5 x 4 x 1½ HA

Dimensions - Inches (mm)

Frame	a	L	I	L1	L2	L3	L4	LM	LP	H1	H2	HO	Ht	n	Ød	S1	S2	S3	S4	S5	SL	P5	P6
324T	.50 (13)	60.25 (1530)	24.63 (626)	13.63 (346)	15.69 (398)	13.75 (349)	10.81 (275)	30.38 (772)	29.38 (746)	12.63 (321)	9.63 (245)	26.88 (683)	8.38 (213)	4	.91 (23)	4.25 (108)	4.00 (102)	41.88 (1064)	15.06 (382)	16.63 (422)	49.88 (1267)	-	-
326T	.50 (13)	60.25 (1530)	24.63 (626)	13.63 (346)	15.69 (398)	13.75 (349)	10.81 (275)	30.38 (772)	29.38 (746)	12.63 (321)	9.63 (245)	26.88 (683)	8.38 (213)	4	.91 (23)	4.25 (108)	4.00 (102)	41.88 (1064)	15.06 (382)	16.63 (422)	49.88 (1267)	-	-
364T	.50 (13)	62.88 (1597)	24.63 (626)	13.63 (346)	15.69 (398)	13.75 (349)	10.81 (275)	33.00 (838)	29.38 (746)	12.63 (321)	9.63 (245)	26.88 (683)	8.38 (213)	4	.91 (23)	4.25 (108)	4.00 (102)	43.38 (1102)	16.56 (421)	18.13 (461)	51.38 (1305)	-	-
365T	.50 (13)	62.88 (1597)	24.63 (626)	13.63 (346)	15.69 (398)	13.75 (349)	10.81 (275)	33.00 (838)	29.38 (746)	12.63 (321)	9.63 (245)	26.88 (683)	8.38 (213)	4	.91 (23)	4.25 (108)	4.00 (102)	43.38 (1102)	16.56 (421)	18.13 (461)	51.38 (1305)	-	-
404T	.50 (13)	67.06 (1703)	24.63 (626)	13.63 (346)	15.69 (398)	13.75 (349)	10.81 (275)	37.25 (946)	29.38 (746)	12.63 (321)	9.63 (245)	26.88 (683)	8.38 (213)	4	.91 (23)	4.25 (108)	4.00 (102)	47.31 (1202)	19.31 (490)	20.88 (530)	55.31 (1405)	-	-
405T	.50 (13)	74.06 (1881)	24.63 (626)	13.63 (346)	15.69 (398)	13.75 (349)	10.81 (275)	44.25 (1124)	29.38 (746)	12.63 (321)	9.63 (245)	26.88 (683)	8.38 (213)	4	.91 (23)	4.25 (108)	4.00 (102)	47.31 (1202)	19.31 (490)	20.88 (530)	55.31 (1405)	-	-

Flange Dimensions – Suction Side

Dimensions - Inches (mm)

DN S #125	ØD	Ød	Øk	b	n	D2
5	10.00 (254)	7.31 (186)	8.50 (216)	.94 (24)	8	.88 (22)

Flange Dimensions – Discharge Side

Dimensions - Inches (mm)

DN D 125#	ØD	Ød	Øk	b	n	D2
4	9.00 (229)	6.19 (157)	7.50 (191)	.94 (24)	8	.75 (19)

