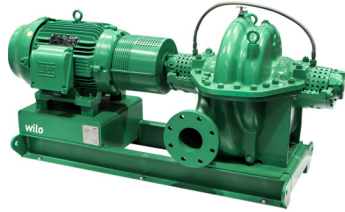


Submittal Data Sheet

Wilo SCP – Horizontal Split Case Pumps

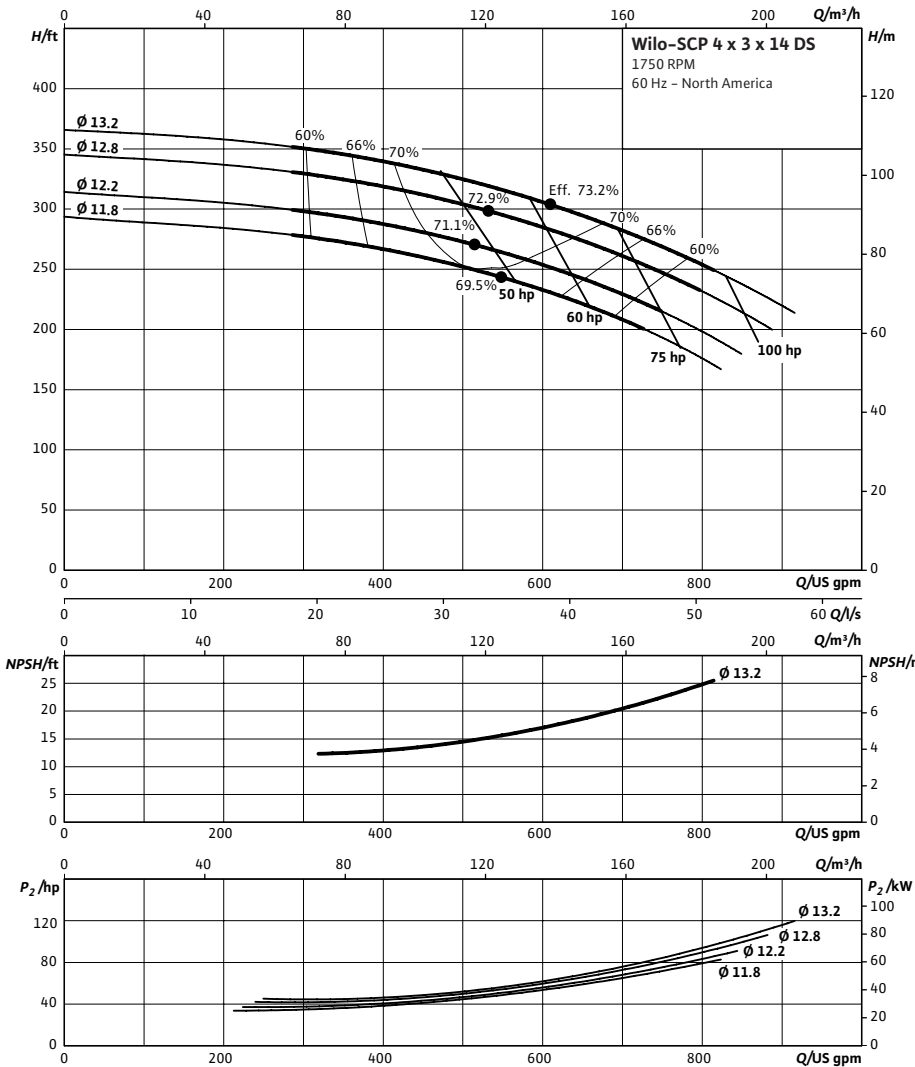


SCP 4 x 3 x 14 DS



Project:										
Engineer:										
Contractor:										
Submitted By:							Date:			
Approved By:							Date:			

Tag #	Model #	Flow (USGPM)	Head (Feet)	HP	Enclosure TEFC/ODP	Frame	Cycle	Phase	Voltage	RPM
	SCP 4 x 3 x 14 DS						60 Hz	3		



Technical Data

Approved Fluids

Heating Water
Cooling and cold water

Water-Glycol mixtures (for 20-40% glycol and fluid temp ≤ 104°F [40°C])

Fluid Temperature

Mechanical Seal: 18°F to 250°F (-8°C to 120°C)
Stuffing Box Packing: 18°F to 220°F (-8°C to 105°C)

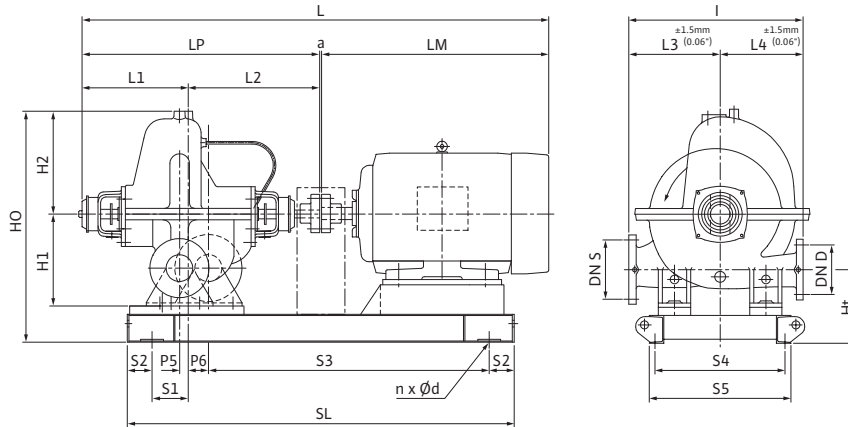
Materials of Construction

<input type="checkbox"/> Pump Housing	A48 Class 35
<input type="checkbox"/> Pump Housing (Optional)	Ni-resist BS 3468 Gr 2 / BS 2789 500.1
<input type="checkbox"/> Impeller	BS 84 C83 600
<input type="checkbox"/> Impeller (optional)	A48 Class 35 / BS 84 C83 600
<input type="checkbox"/> Stationary Wear Rings	BS 84 C93 700
<input type="checkbox"/> Pump Shaft	A276 type 410
<input type="checkbox"/> Pump Shaft (optional)	BS 970 316 S16
<input type="checkbox"/> Mechanical Seal	Carbon/silicon carbide/EPDM (E1)
<input type="checkbox"/> Other Mechanical Seals	Avail. on request
<input type="checkbox"/> Additional Spacer Coupling	Avail. on request
<input type="checkbox"/> Other:	

Approval Stamp

Dimensional Drawing

Dual Stage Pump



SCP 4 x 3 x 14 DS

Dimensions - Inches (mm)																							
Frame	a	L	I	L1	L2	L3	L4	LM	LP	H1	H2	HO	Ht	n	Ød	S1	S2	S3	S4	S5	SL	P5	P6
326T	.50 (13)	64.94 (1649)	21.44 (545)	16.31 (414)	17.69 (449)	11.00 (279)	10.44 (256)	30.38 (772)	34.06 (865)	12.19 (310)	12.63 (321)	30.44 (773)	10.31 (262)	4	.91 (23)	2.31 (59)	4.00 (102)	41.88 (1064)	15.81 (402)	18.13 (461)	49.88 (1267)	1.38 (35)	3.38 (86)
364T	.50 (13)	67.56 (1716)	21.44 (545)	16.31 (414)	17.69 (449)	11.00 (279)	10.44 (256)	33.00 (838)	34.06 (865)	12.19 (310)	12.63 (321)	30.44 (773)	10.31 (262)	4	.91 (23)	2.31 (59)	4.00 (102)	43.38 (1101)	15.81 (402)	18.13 (461)	51.38 (1305)	1.38 (35)	3.38 (86)
365T	.50 (13)	67.56 (1716)	21.44 (545)	16.31 (414)	17.69 (449)	11.00 (279)	10.44 (256)	33.00 (838)	34.06 (865)	12.19 (310)	12.63 (321)	30.44 (773)	10.31 (262)	4	.91 (23)	2.31 (59)	4.00 (102)	43.38 (1101)	15.81 (402)	18.13 (461)	51.38 (1305)	1.38 (35)	3.38 (86)
404T	.50 (13)	71.75 (1822)	21.44 (545)	16.31 (414)	17.69 (449)	11.00 (279)	10.44 (256)	37.25 (946)	34.06 (865)	12.19 (310)	12.63 (321)	30.44 (773)	10.31 (262)	4	.91 (23)	2.31 (59)	4.00 (102)	47.38 (1203)	18.50 (470)	20.88 (530)	55.38 (1406)	1.38 (35)	3.38 (86)

Flange Dimensions – Suction Side

Dimensions - Inches (mm)						
DN S #125	ØD	Ød	Øk	b	n	D2
4	9.00 (229)	6.19 (157)	7.50 (191)	.94 (24)	8	.75 (19)

Flange Dimensions – Discharge Side

Dimensions - Inches (mm)						
DN D 125#	ØD	Ød	Øk	b	n	D2
3	7.50 (191)	5.50 (140)	6.00 (152)	.94 (24)	4	.75 (19)

