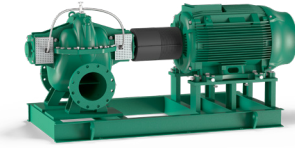


Submittal Data Sheet

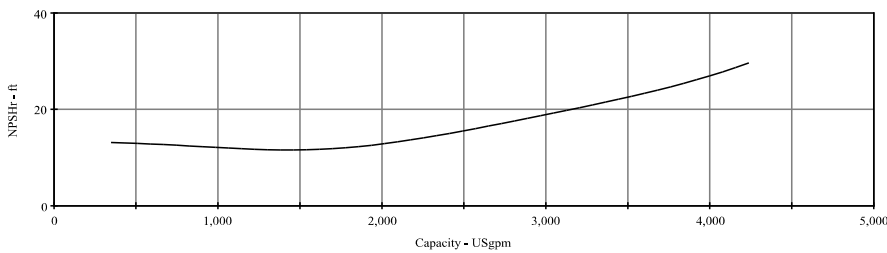
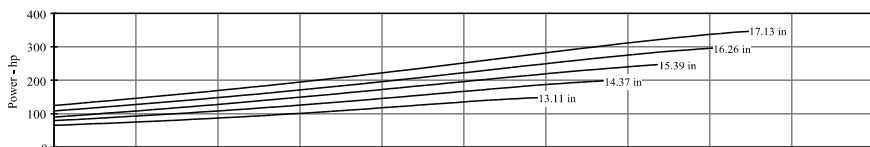
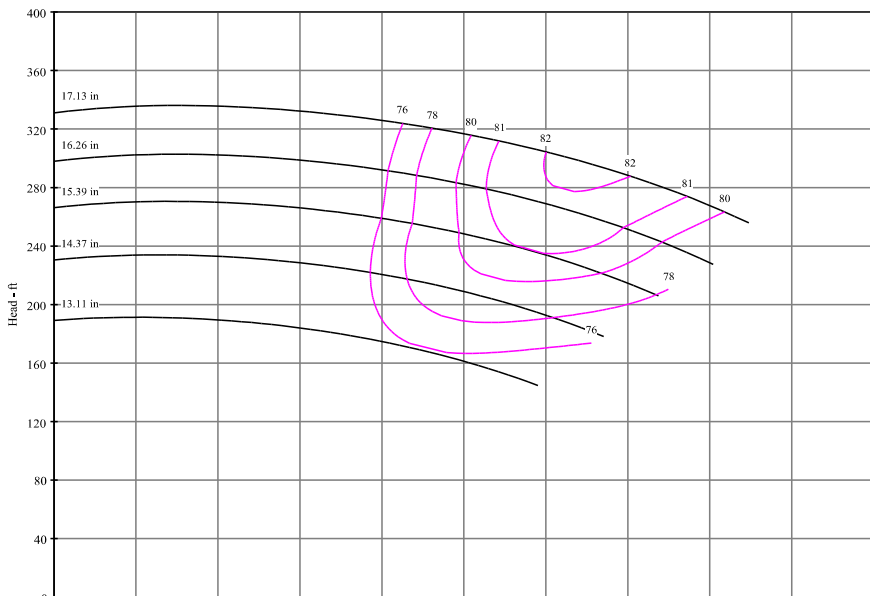
Wilo-Atmos TERA-SCH-HE - Horizontal Split Case Pumps



Atmos TERA-SCH-HE-10X6X17

| | | |
|---|---------------|-------|
|  | Project: | |
| | Engineer: | |
| | Contractor: | |
| | Submitted By: | Date: |
| | Approved By: | Date: |

| Tag # | Model # | Flow (USGPM) | Head (Feet) | HP | Enclosure TEFC/ODP | Frame | Cycle | Phase | Voltage | RPM |
|-------|---------------------------|--------------|-------------|----|--------------------|-------|-------|-------|---------|-----|
| | Atmos TERA-SCH-HE-10X6X17 | | | | | | 60 Hz | 3 | | |



Technical Data

| | |
|--|--|
| Approved Fluids | |
| Heating Water | |
| Cooling and cold water | |
| Water, Ethylene Glycol, Propylene Glycol | |

| | |
|--------------------------|---------------|
| Fluid Temperature | |
| Mechanical Seal | 18°F to 248°F |
| Packed Seal | 18°F to 212°F |

Materials of Construction

| | |
|----------------------------|---|
| Pump Housing | ASTM 2001 A48 CLASS-35 |
| Impeller | ASTM A743 Gr. CF8 Stainless Steel |
| Stationary Wear Rings | ASTM B584 C90500 |
| Pump Shaft | ASTM A276, GR. 410 Stainless Steel |
| Mechanical Seal | Carbon/silicon carbide/EPDM (E1) |
| Packed Seals | 20% GF PPE & PS with Graphited Cotton Packing |
| Clockwise Rotation | |
| Anti-Clockwise Rotation | |
| Additional Spacer Coupling | Avail. on request |

Other:

Approval Stamp

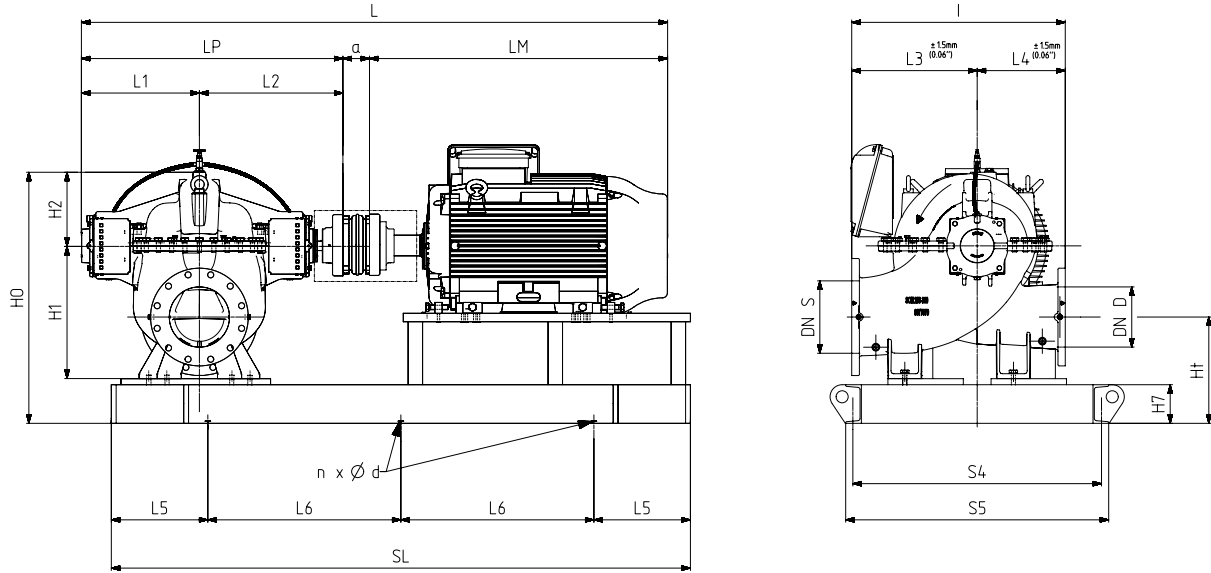
Submittal Data Sheet

Wilo-Atmos TERA-SCH-HE- Horizontal Split Case Pumps



Dimensional Drawing

Single Stage Pump



Atmos TERA-SCH-HE-10x6x17

Dimensions - Inches

| Frame | a | L | I | L1 | L2 | L3 | L4 | LM | LP | H1 | H2 | H7 | HO | Ht | SL | L5 | L6 | n | Ød | S4 | S5 | DN S | DN D |
|--------|------|--------|-------|-------|-------|------|-------|-------|-------|-------|-------|----|------|-------|-------|-------|-------|---|------|-------|-------|------|------|
| 444/5T | 0.25 | 80.61 | 34.45 | 18.48 | 23.56 | 18.7 | 15.75 | 38.31 | 42.05 | 19.49 | 11.81 | 6 | 38.3 | 14.17 | 79.53 | 15.75 | 25.59 | 6 | 1.18 | 32.56 | 34.92 | 9.84 | 5.91 |
| 444/5T | 1.77 | 82.13 | 34.45 | 18.48 | 23.56 | 18.7 | 15.75 | 38.31 | 42.05 | 19.49 | 11.81 | 6 | 38.3 | 14.17 | 88.98 | 15.75 | 28.74 | 6 | 1.18 | 36.89 | 39.25 | 9.84 | 5.91 |
| 444/5T | 1.77 | 82.13 | 34.45 | 18.48 | 23.56 | 18.7 | 15.75 | 38.31 | 42.05 | 19.49 | 11.81 | 6 | 38.3 | 14.17 | 88.98 | 15.75 | 28.74 | 6 | 1.18 | 36.89 | 39.25 | 9.84 | 5.91 |
| 447/9T | 1.77 | 90.51 | 34.45 | 18.48 | 23.56 | 18.7 | 15.75 | 46.69 | 42.05 | 19.49 | 11.81 | 6 | 38.3 | 14.17 | 88.98 | 15.75 | 28.74 | 6 | 1.18 | 36.89 | 39.25 | 9.84 | 5.91 |
| 444/5T | 0.25 | 87.54 | 34.45 | 18.48 | 23.56 | 18.7 | 15.75 | 45.24 | 42.05 | 19.49 | 11.81 | 6 | 38.3 | 14.17 | 79.53 | 15.75 | 25.59 | 6 | 1.18 | 32.56 | 34.92 | 9.84 | 5.91 |
| 445/7T | 0.25 | 91.08 | 34.45 | 18.48 | 23.56 | 18.7 | 15.75 | 48.78 | 42.05 | 19.49 | 11.81 | 6 | 38.3 | 14.17 | 88.98 | 15.75 | 28.74 | 6 | 1.18 | 36.89 | 39.25 | 9.84 | 5.91 |
| 445/7T | 1.77 | 92.6 | 34.45 | 18.48 | 23.56 | 18.7 | 15.75 | 48.78 | 42.05 | 19.49 | 11.81 | 6 | 38.3 | 14.17 | 88.98 | 15.75 | 28.74 | 6 | 1.18 | 36.89 | 39.25 | 9.84 | 5.91 |
| 447/9T | 1.77 | 100.16 | 34.45 | 18.48 | 23.56 | 18.7 | 15.75 | 56.34 | 42.05 | 19.49 | 11.81 | 6 | 38.3 | 14.17 | 88.98 | 15.75 | 28.74 | 6 | 1.18 | 36.89 | 39.25 | 9.84 | 5.91 |

Flange Dimensions - Suction Side

Dimensions - Inches

| DN S | ØD | Ød | Øk | b | n | ØD2 | |
|----------|------|-------|----|-------|------|-----|----|
| 10" 125# | 9.84 | 15.94 | 0 | 14.25 | 1.19 | 12 | 1" |

Flange Dimensions - Discharge Side

Dimensions - Inches

| DN D | ØD | Ød | Øk | b | n | ØD2 | |
|---------|------|-------|----|------|------|-----|------|
| 6" 125# | 5.91 | 11.22 | 0 | 9.49 | 1.02 | 8 | 7/8" |

