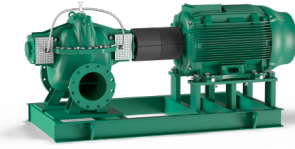


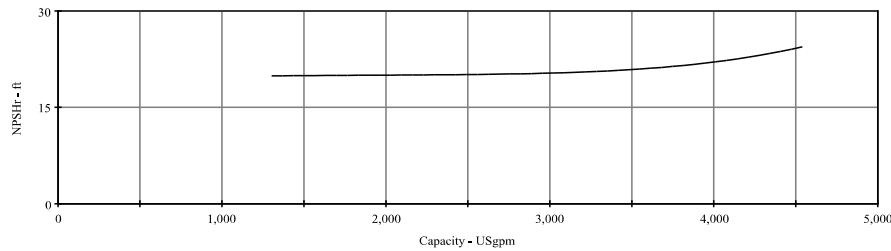
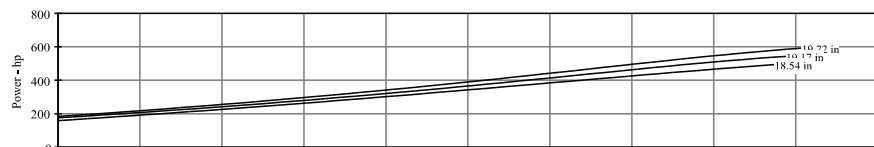
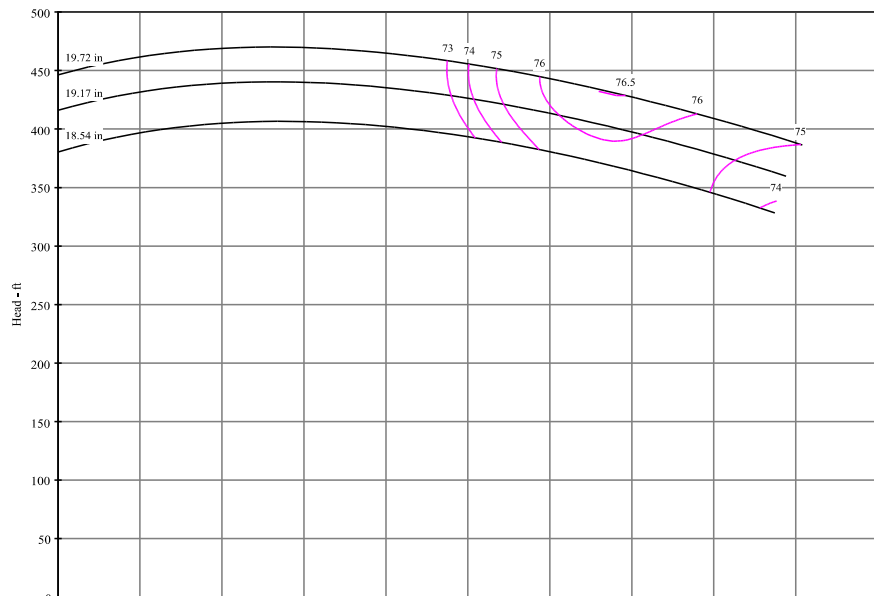
Submittal Data Sheet

Wilo-Atmos TERA-SCH-HE - Horizontal Split Case Pumps



Atmos TERA-SCH-HE-10X6X22 DV

	Project:									
	Engineer:									
	Contractor:									
	Submitted By:					Date:				
	Approved By:					Date:				
Tag #	Model #	Flow (USGPM)	Head (Feet)	HP	Enclosure TEFC/ODP	Frame	Cycle	Phase	Voltage	RPM
	Atmos TERA-SCH-HE-10X6X22 DV						60 Hz	3		



Technical Data

Approved Fluids	
Heating Water	
Cooling and cold water	
Water, Ethylene Glycol, Propylene Glycol	
Fluid Temperature	
Mechanical Seal	18°F to 248°F
Packed Seal	18°F to 212°F
Max. Pressure	
232 PSI	

Materials of Construction

Volute Wall	Double
Pump Housing	ASTM 2001 A48 CLASS-35
Impeller	ASTM A743 Gr.CF8 Stainless Steel
Stationary Wear Rings	ASTM B584 C90500
Pump Shaft	ASTM A276, GR. 410 Stainless Steel
Mechanical Seal	Carbon/silicon carbide/EPDM (E1)
Packed Seals	20% GF PPE & PS with Graphited Cotton Packing
Clockwise Rotation	
Anti-Clockwise Rotation	
Additional Spacer Coupling	Avail. on request
Other:	

Approval Stamp

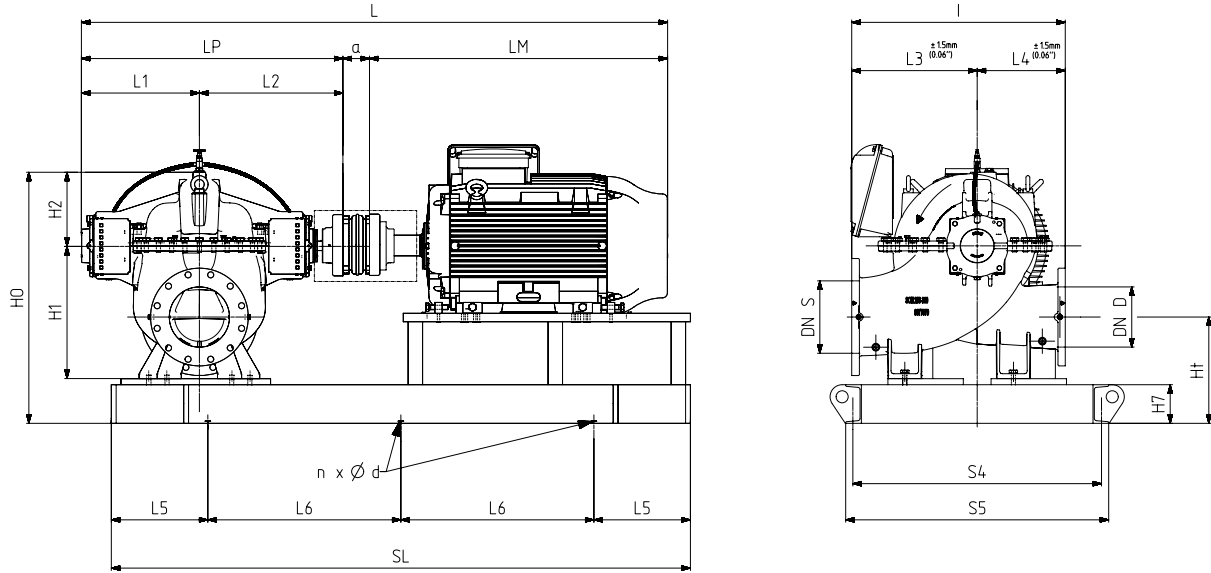
Submittal Data Sheet

Wilo-Atmos TERA-SCH-HE- Horizontal Split Case Pumps



Dimensional Drawing

Single Stage Pump



Atmos TERA-SCH-HE-10x6x22 DV

Dimensions - Inches

Frame	a	L	I	L1	L2	L3	L4	LM	LP	H1	H2	H7	HO	Ht	SL	L5	L6	n	Ød	S4	S5	DN S	DN D
447/9T	1.77	96.5	43.31	21.71	26.32	23.62	19.69	46.69	48.03	23.43	15.24	6	45.66	14.96	98.43	15.75	33.46	6	1.18	36.89	39.25	9.84	5.91
447/9T	1.77	92.76	43.31	21.71	26.32	23.62	19.69	42.95	48.03	23.43	15.24	6	45.66	14.96	98.43	15.75	33.46	6	1.18	36.89	39.25	9.84	5.91
5010/11	1.77	112.68	43.31	21.71	26.32	23.62	19.69	62.87	48.03	23.43	15.24	6	45.66	14.96	97.24	15.75	38.19	6	1.18	42.01	44.37	9.84	5.91
447/9T	1.77	106.22	43.31	21.71	26.32	23.62	19.69	56.42	48.03	23.43	15.24	6	45.66	14.96	98.43	15.75	33.46	6	1.18	36.89	39.25	9.84	5.91
L447/9T	1.77	107.13	43.31	21.71	26.32	23.62	19.69	57.32	48.03	23.43	15.24	6	45.66	14.96	98.43	15.75	33.46	6	1.18	36.89	39.25	9.84	5.91
L447/9T	1.77	107.13	43.31	21.71	26.32	23.62	19.69	57.32	48.03	23.43	15.24	6	45.66	14.96	97.24	15.75	38.19	6	1.18	42.01	44.37	9.84	5.91

Flange Dimensions - Suction Side

Dimensions - Inches

DN S	ØD	Ød	Øk	b	n	ØD2	
10" 125#	9.84	15.94	12.6	14.25	1.14	12	1"

Flange Dimensions - Discharge Side

Dimensions - Inches

DN D	ØD	Ød	Øk	b	n	ØD2	
6" 125#	5.91	11.02	8.39	9.49	0.94	8	7/8"

