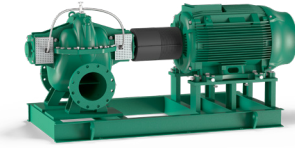


Submittal Data Sheet

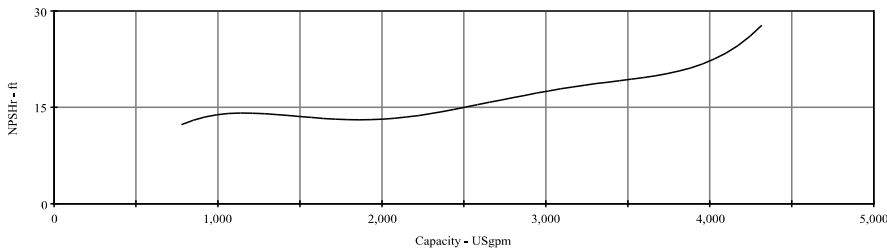
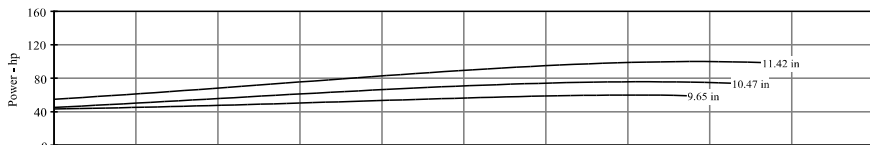
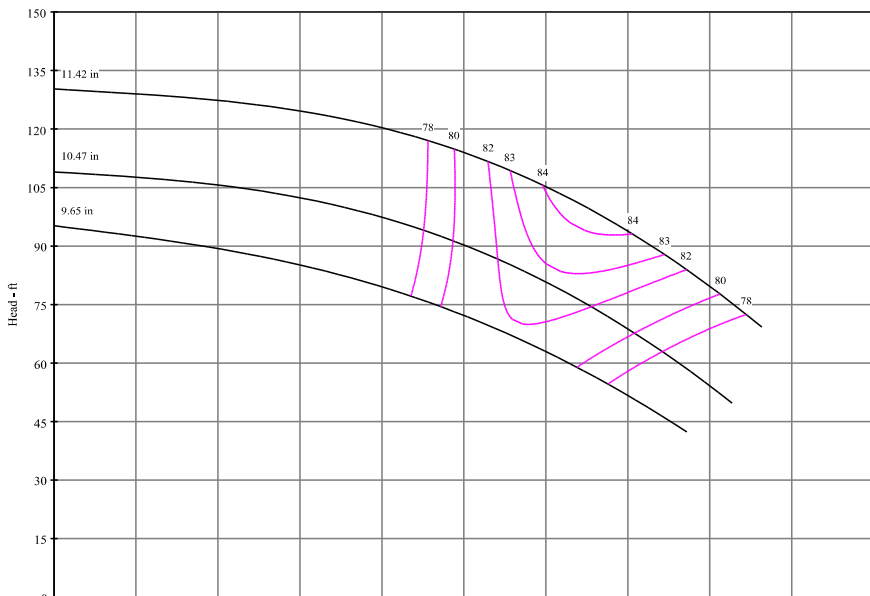
Wilo-Atmos TERA-SCH-HE - Horizontal Split Case Pumps



Atmos TERA-SCH-HE-10X8X12 SV

	Project:	
	Engineer:	
	Contractor:	
	Submitted By:	Date:
	Approved By:	Date:

Tag #	Model #	Flow (USGPM)	Head (Feet)	HP	Enclosure TEFC/ODP	Frame	Cycle	Phase	Voltage	RPM
	Atmos TERA-SCH-HE-10X8X12 SV						60 Hz	3		



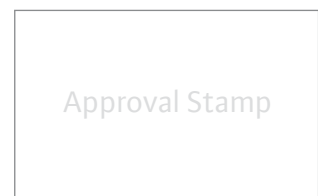
Technical Data

Approved Fluids	
Heating Water	
Cooling and cold water	
Water, Ethylene Glycol, Propylene Glycol	
Fluid Temperature	
Mechanical Seal	18°F to 248°F
Packed Seal	18°F to 212°F
Max. Pressure	
175 PSI	

Materials of Construction

Volute Wall	Single
Pump Housing	ASTM 2001 A48 CLASS-35
Impeller	ASTM A743 Gr. CF8 Stainless Steel
Stationary Wear Rings	ASTM B584 C90500
Pump Shaft	ASTM A276, GR. 410 Stainless Steel
Mechanical Seal	Carbon/silicon carbide/EPDM (E1)
Packed Seals	20% GF PPE & PS with Graphited Cotton Packing
Clockwise Rotation	
Anti-Clockwise Rotation	
Additional Spacer Coupling	Avail. on request

Other:



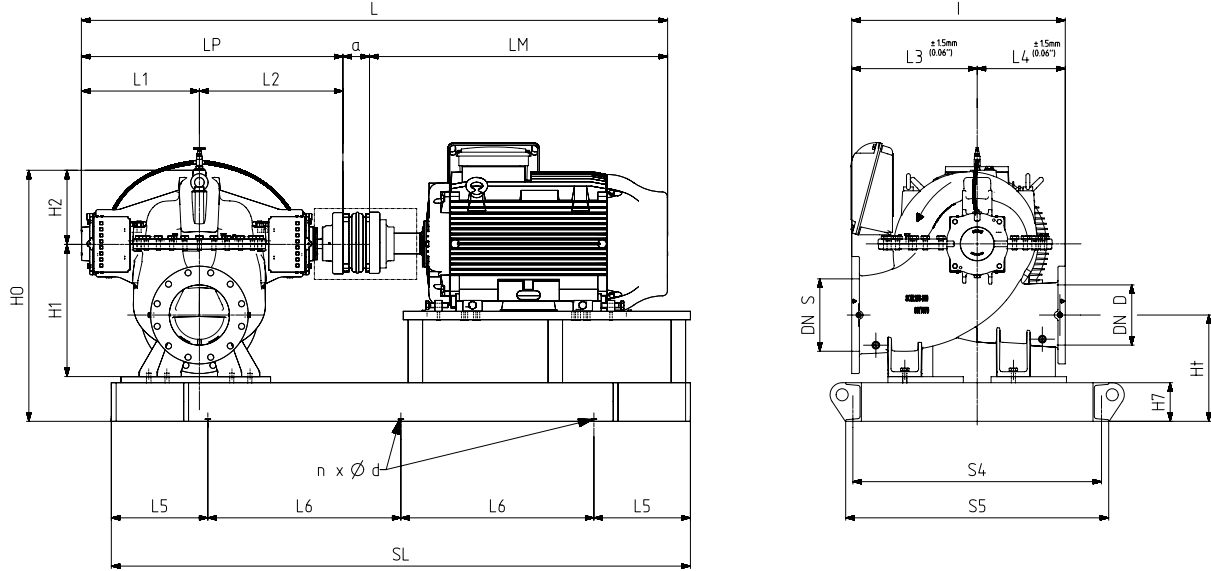
Submittal Data Sheet

Wilo-Atmos TERA-SCH-HE- Horizontal Split Case Pumps



Dimensional Drawing

Single Stage Pump



Atmos TERA-SCH-HE-10x8x12 SV

Dimensions - Inches

Frame	a	L	I	L1	L2	L3	L4	LM	LP	H1	H2	H7	HO	Ht	SL	L5	L6	n	Ød	S4	S5	DN S	DN D
324T	0.25	68.52	30.31	19.21	23.23	16.54	13.78	25.83	42.44	18.31	10.43	4	33.74	13.98	70.08	15.75	19.29	6	0.98	28.86	30.98	9.84	7.87
324/6T	0.25	70.02	30.31	19.21	23.23	16.54	13.78	27.32	42.44	18.31	10.43	4	33.74	13.98	70.08	15.75	19.29	6	0.98	28.86	30.98	9.84	7.87
364/5T	0.25	72.34	30.31	19.21	23.23	16.54	13.78	29.65	42.44	18.31	10.43	4	33.74	13.98	70.08	15.75	19.29	6	0.98	28.86	30.98	9.84	7.87
364/5T	0.25	72.42	30.31	19.21	23.23	16.54	13.78	29.72	42.44	18.31	10.43	6	35.74	13.98	79.53	15.75	25.59	6	1.18	32.56	34.92	9.84	7.87
404/5T	0.25	76.79	30.31	19.21	23.23	16.54	13.78	34.09	42.44	18.31	10.43	6	35.74	13.98	79.53	15.75	25.59	6	1.18	32.56	34.92	9.84	7.87
324/6T	0.25	73.8	30.31	19.21	23.23	16.54	13.78	31.1	42.44	18.31	10.43	4	33.74	13.98	70.08	15.75	19.29	6	0.98	28.86	30.98	9.84	7.87
324/6T	0.25	73.8	30.31	19.21	23.23	16.54	13.78	31.1	42.44	18.31	10.43	4	33.74	13.98	70.08	15.75	19.29	6	0.98	28.86	30.98	9.84	7.87
364/5T	0.25	77.1	30.31	19.21	23.23	16.54	13.78	34.41	42.44	18.31	10.43	4	33.74	13.98	70.08	15.75	19.29	6	0.98	28.86	30.98	9.84	7.87
364/5T	0.25	77.1	30.31	19.21	23.23	16.54	13.78	34.41	42.44	18.31	10.43	6	35.74	13.98	79.53	15.75	25.59	6	1.18	32.56	34.92	9.84	7.87
404/5T	0.25	82.5	30.31	19.21	23.23	16.54	13.78	39.8	42.44	18.31	10.43	6	35.74	13.98	79.53	15.75	25.59	6	1.18	32.56	34.92	9.84	7.87

Flange Dimensions - Suction Side

Dimensions - Inches

DN S	ØD	Ød	Øk	b	n	ØD2
10" 125#	9.84	15.94	0	14.25	12	1"

Flange Dimensions - Discharge Side

Dimensions - Inches

DN D	ØD	Ød	Øk	b	n	ØD2
8" 125#	7.87	13.58	0	11.77	8	7/8"

