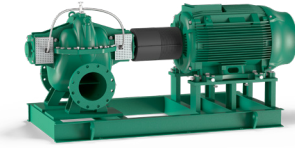


Submittal Data Sheet

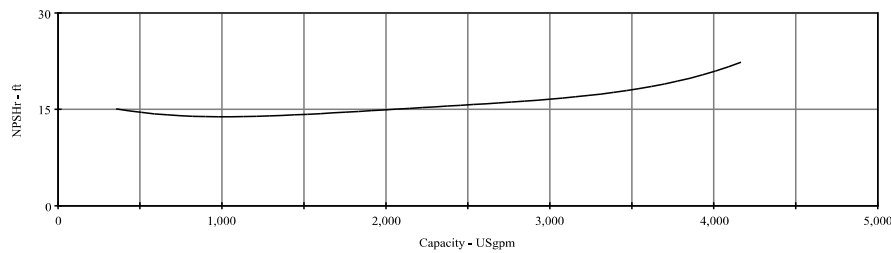
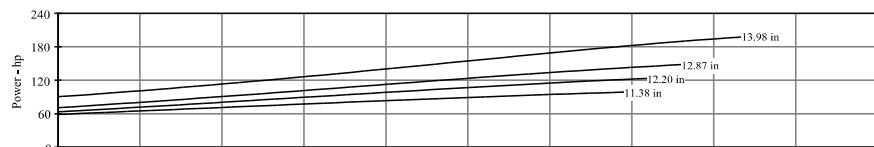
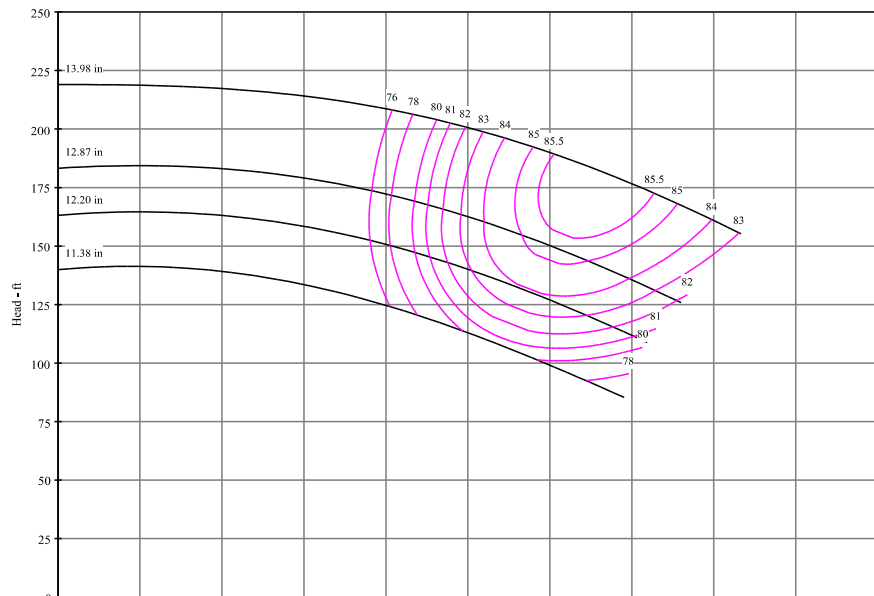
Wilo-Atmos TERA-SCH-HE - Horizontal Split Case Pumps



Atmos TERA-SCH-HE-10X8X14 DV

	Project:									
	Engineer:									
	Contractor:									
	Submitted By:					Date:				
	Approved By:					Date:				

Tag #	Model #	Flow (USGPM)	Head (Feet)	HP	Enclosure TEFC/ODP	Frame	Cycle	Phase	Voltage	RPM
	Atmos TERA-SCH-HE-10X8X14 DV						60 Hz	3		

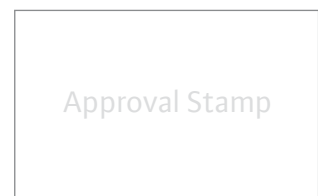


Technical Data

Approved Fluids	
Heating Water	
Cooling and cold water	
Water, Ethylene Glycol, Propylene Glycol	
Fluid Temperature	
Mechanical Seal	18°F to 248°F
Packed Seal	18°F to 212°F
Max. Pressure	
175 PSI	

Materials of Construction

Volute Wall	Double
Pump Housing	ASTM 2001 A48 CLASS-35
Impeller	ASTM A743 Gr. CF8 Stainless Steel
Stationary Wear Rings	ASTM B584 C90500
Pump Shaft	ASTM A276, GR. 410 Stainless Steel
Mechanical Seal	Carbon/silicon carbide/EPDM (E1)
Packed Seals	20% GF PPE & PS with Graphited Cotton Packing
Clockwise Rotation	
Anti-Clockwise Rotation	
Additional Spacer Coupling	Avail. on request
Other:	



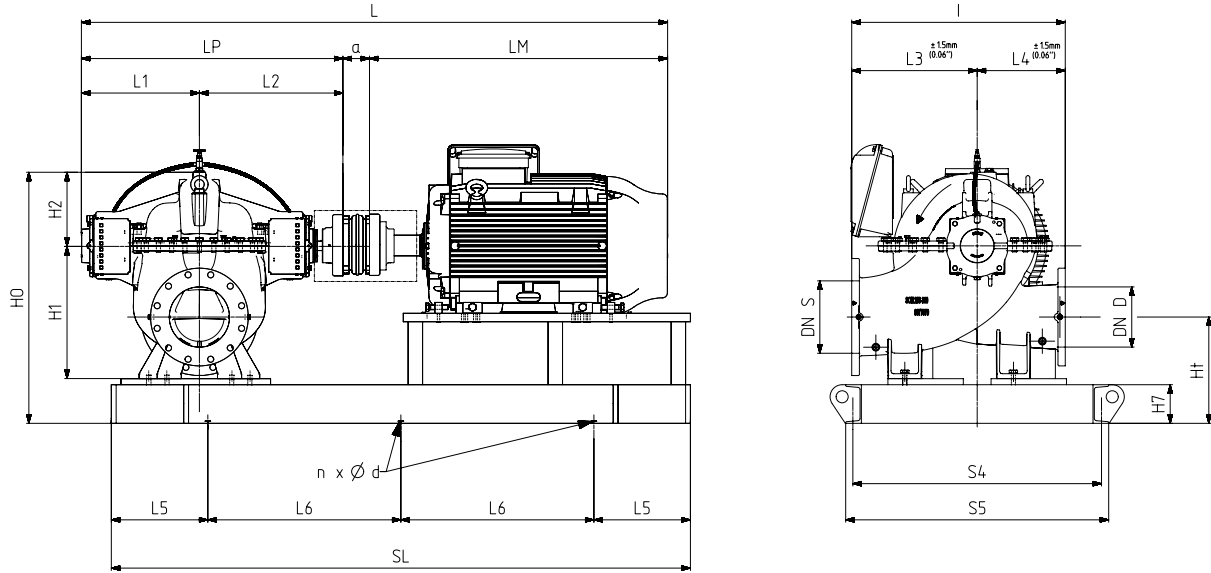
Submittal Data Sheet

Wilo-Atmos TERA-SCH-HE- Horizontal Split Case Pumps



Dimensional Drawing

Single Stage Pump



Atmos TERA-SCH-HE-10x8x14 DV

Dimensions - Inches

Frame	a	L	I	L1	L2	L3	L4	LM	LP	H1	H2	H7	HO	Ht	SL	L5	L6	n	Ød	S4	S5	DN S	DN D
404/5T	0.25	76.79	32.28	19.21	23.23	18.5	13.78	34.09	42.44	19.49	11.22	6	37.71	14.17	79.53	15.75	25.59	6	1.18	32.56	34.92	9.84	7.87
404/5T	0.25	76.79	32.28	19.21	23.23	18.5	13.78	34.09	42.44	19.49	11.22	6	37.71	14.17	79.53	15.75	25.59	6	1.18	32.56	34.92	9.84	7.87
444/5T	0.25	81	32.28	19.21	23.23	18.5	13.78	38.31	42.44	19.49	11.22	6	37.71	14.17	79.53	15.75	25.59	6	1.18	32.56	34.92	9.84	7.87
444/5T	1.77	82.52	32.28	19.21	23.23	18.5	13.78	38.31	42.44	19.49	11.22	6	37.71	14.17	88.98	15.75	28.74	6	1.18	36.89	39.25	9.84	7.87
404/5T	0.25	82.5	32.28	19.21	23.23	18.5	13.78	39.8	42.44	19.49	11.22	6	37.71	14.17	79.53	15.75	25.59	6	1.18	32.56	34.92	9.84	7.87
444/5T	0.25	87.93	32.28	19.21	23.23	18.5	13.78	45.24	42.44	19.49	11.22	6	37.71	14.17	79.53	15.75	25.59	6	1.18	32.56	34.92	9.84	7.87
444/5T	0.25	87.93	32.28	19.21	23.23	18.5	13.78	45.24	42.44	19.49	11.22	6	37.71	14.17	79.53	15.75	25.59	6	1.18	32.56	34.92	9.84	7.87
445/7T	0.25	91.47	32.28	19.21	23.23	18.5	13.78	48.78	42.44	19.49	11.22	6	37.71	14.17	88.98	15.75	28.74	6	1.18	36.89	39.25	9.84	7.87

Flange Dimensions - Suction Side

Dimensions - Inches

DN S	ØD	Ød	Øk	b	n	ØD2
10" 125#	9.84	15.94	0	14.25	12	1"

Flange Dimensions - Discharge Side

Dimensions - Inches

DN D	ØD	Ød	Øk	b	n	ØD2
8" 125#	7.87	13.58	0	11.77	8	7/8"

