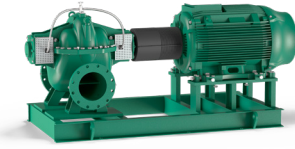


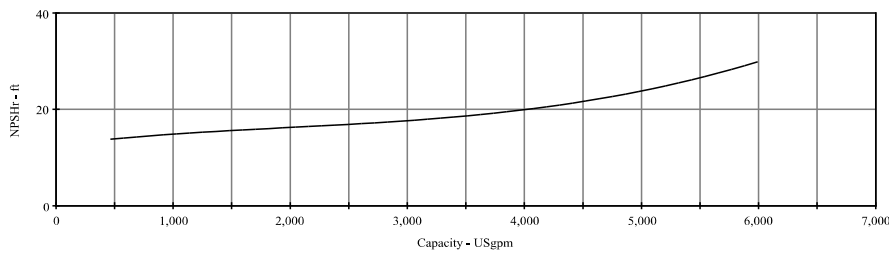
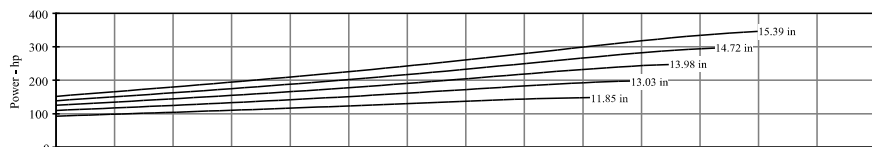
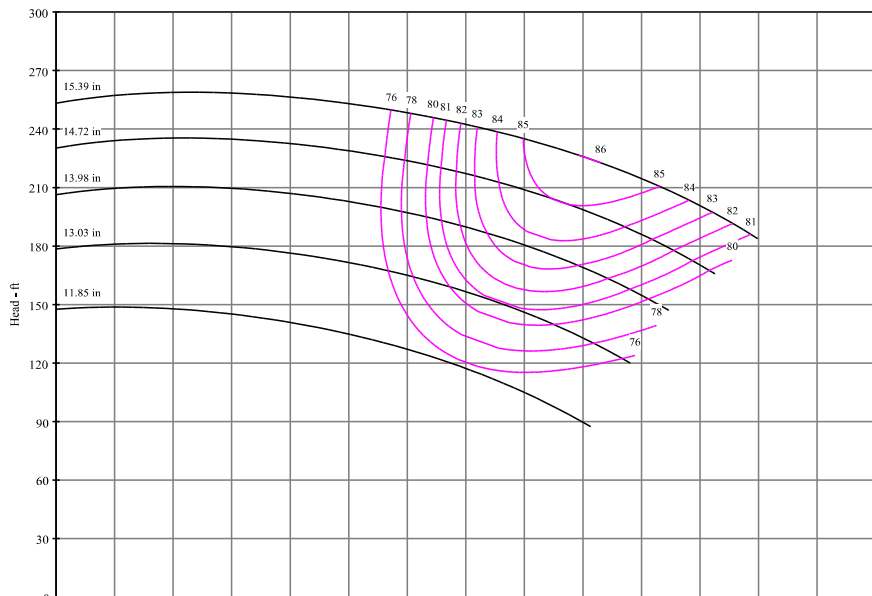
# Submittal Data Sheet

## Wilo-Atmos TERA-SCH-HE - Horizontal Split Case Pumps



### Atmos TERA-SCH-HE-12X8X15 SV

|  | Project:                     |                 |                |    |                       |       |       |       |         |     |  |
|---|------------------------------|-----------------|----------------|----|-----------------------|-------|-------|-------|---------|-----|--|
|   | Engineer:                    |                 |                |    |                       |       |       |       |         |     |  |
|   | Contractor:                  |                 |                |    |                       |       |       |       |         |     |  |
|   | Submitted By:                |                 |                |    |                       | Date: |       |       |         |     |  |
|   | Approved By:                 |                 |                |    |                       | Date: |       |       |         |     |  |
| Tag #   | Model #                      | Flow<br>(USGPM) | Head<br>(Feet) | HP | Enclosure<br>TEFC/ODP | Frame | Cycle | Phase | Voltage | RPM |  |
|   | Atmos TERA-SCH-HE-12X8X15 SV |                 |                |    |                       |       | 60 Hz | 3     |         |     |  |



#### Technical Data

| Approved Fluids                          |               |
|--|---------------|
| Heating Water                            |               |
| Cooling and cold water                   |               |
| Water, Ethylene Glycol, Propylene Glycol |               |
| Fluid Temperature                        |               |
| Mechanical Seal                          | 18°F to 248°F |
| Packed Seal                              | 18°F to 212°F |
| Max. Pressure                            |               |
| 232 PSI                                  |               |

#### Materials of Construction

|                            |   |
|----------------------------|---|
| Volute Wall                | Single  |
| Pump Housing               | ASTM 2001 A48 CLASS-35                        |
| Impeller                   | ASTM A743 Gr. CF8 Stainless Steel             |
| Stationary Wear Rings      | ASTM B584 C90500                              |
| Pump Shaft                 | ASTM A276, GR. 410 Stainless Steel            |
| Mechanical Seal            | Carbon/silicon carbide/EPDM (E1)              |
| Packed Seals               | 20% GF PPE & PS with Graphited Cotton Packing |
| Clockwise Rotation         |   |
| Anti-Clockwise Rotation    |   |
| Additional Spacer Coupling | Avail. on request                             |
| Other:                     |   |

Approval Stamp

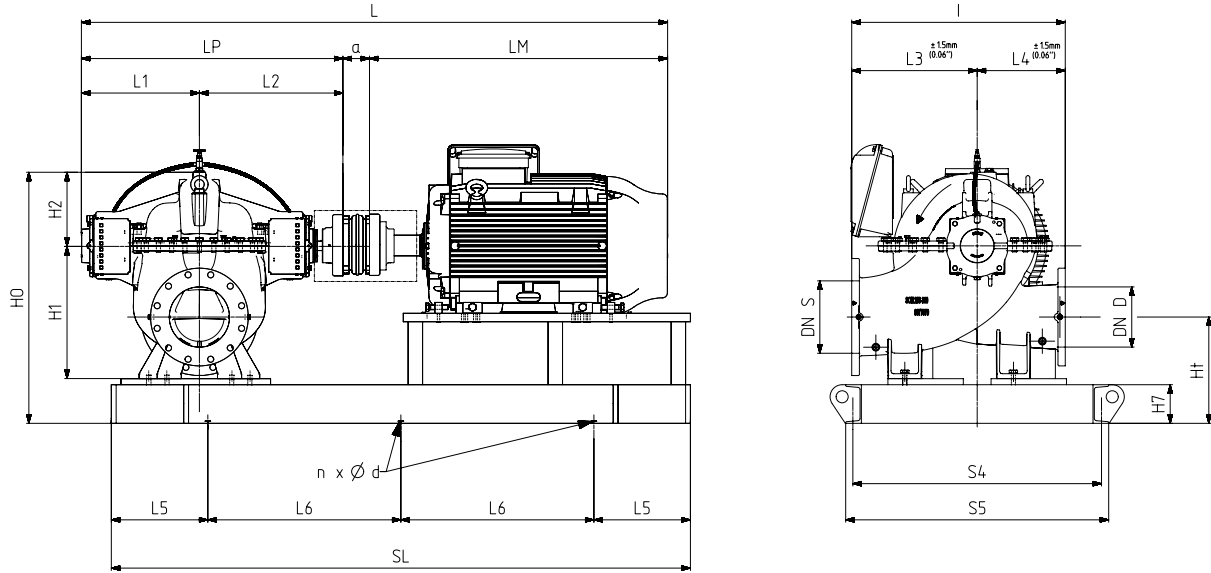
# Submittal Data Sheet

Wilo-Atmos TERA-SCH-HE- Horizontal Split Case Pumps



## Dimensional Drawing

### Single Stage Pump



### Atmos TERA-SCH-HE-12x8x15 SV

Dimensions - Inches

| Frame  | a    | L      | I     | L1    | L2    | L3    | L4    | LM    | LP   | H1    | H2    | H7 | HO    | Ht    | SL    | L5    | L6    | n | Ød   | S4    | S5    | DN S  | DN D |
|--------|------|--------|-------|-------|-------|-------|-------|-------|------|-------|-------|----|-------|-------|-------|-------|-------|---|------|-------|-------|-------|------|
| 404/5T | 0.25 | 78.24  | 36.02 | 19.41 | 24.49 | 20.67 | 15.35 | 34.09 | 43.9 | 21.65 | 11.42 | 6  | 40.07 | 15.75 | 79.53 | 15.75 | 25.59 | 6 | 1.18 | 32.56 | 34.92 | 11.81 | 7.87 |
| 444/5T | 0.25 | 82.46  | 36.02 | 19.41 | 24.49 | 20.67 | 15.35 | 38.31 | 43.9 | 21.65 | 11.42 | 6  | 40.07 | 15.75 | 79.53 | 15.75 | 25.59 | 6 | 1.18 | 32.56 | 34.92 | 11.81 | 7.87 |
| 444/5T | 1.77 | 83.98  | 36.02 | 19.41 | 24.49 | 20.67 | 15.35 | 38.31 | 43.9 | 21.65 | 11.42 | 6  | 40.07 | 15.75 | 88.98 | 15.75 | 28.74 | 6 | 1.18 | 36.89 | 39.25 | 11.81 | 7.87 |
| 444/5T | 1.77 | 83.98  | 36.02 | 19.41 | 24.49 | 20.67 | 15.35 | 38.31 | 43.9 | 21.65 | 11.42 | 6  | 40.07 | 15.75 | 88.98 | 15.75 | 28.74 | 6 | 1.18 | 36.89 | 39.25 | 11.81 | 7.87 |
| 447/9T | 1.77 | 92.36  | 36.02 | 19.41 | 24.49 | 20.67 | 15.35 | 46.69 | 43.9 | 21.65 | 11.42 | 6  | 40.07 | 15.75 | 88.98 | 15.75 | 28.74 | 6 | 1.18 | 36.89 | 39.25 | 11.81 | 7.87 |
| 444/5T | 0.25 | 89.39  | 36.02 | 19.41 | 24.49 | 20.67 | 15.35 | 45.24 | 43.9 | 21.65 | 11.42 | 6  | 40.07 | 15.75 | 79.53 | 15.75 | 25.59 | 6 | 1.18 | 32.56 | 34.92 | 11.81 | 7.87 |
| 444/5T | 0.25 | 89.39  | 36.02 | 19.41 | 24.49 | 20.67 | 15.35 | 45.24 | 43.9 | 21.65 | 11.42 | 6  | 40.07 | 15.75 | 79.53 | 15.75 | 25.59 | 6 | 1.18 | 32.56 | 34.92 | 11.81 | 7.87 |
| 445/7T | 0.25 | 92.93  | 36.02 | 19.41 | 24.49 | 20.67 | 15.35 | 48.78 | 43.9 | 21.65 | 11.42 | 6  | 40.07 | 15.75 | 88.98 | 15.75 | 28.74 | 6 | 1.18 | 36.89 | 39.25 | 11.81 | 7.87 |
| 445/7T | 1.77 | 94.45  | 36.02 | 19.41 | 24.49 | 20.67 | 15.35 | 48.78 | 43.9 | 21.65 | 11.42 | 6  | 40.07 | 15.75 | 88.98 | 15.75 | 28.74 | 6 | 1.18 | 36.89 | 39.25 | 11.81 | 7.87 |
| 447/9T | 1.77 | 102.01 | 36.02 | 19.41 | 24.49 | 20.67 | 15.35 | 56.34 | 43.9 | 21.65 | 11.42 | 6  | 40.07 | 15.75 | 88.98 | 15.75 | 28.74 | 6 | 1.18 | 36.89 | 39.25 | 11.81 | 7.87 |

### Flange Dimensions - Suction Side

Dimensions - Inches

|          | DN S  | ØD    | Ød | Øk    | b    | n  | ØD2 |
|----------|-------|-------|----|-------|------|----|-----|
| 12" 125# | 11.81 | 19.09 | 0  | 17.01 | 1.25 | 12 | 1"  |

### Flange Dimensions - Discharge Side

Dimensions - Inches

|         | DN D | ØD    | Ød | Øk    | b    | n | ØD2  |
|---------|------|-------|----|-------|------|---|------|
| 8" 125# | 7.87 | 13.58 | 0  | 11.77 | 1.13 | 8 | 7/8" |

