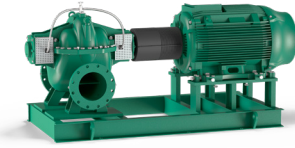


Submittal Data Sheet

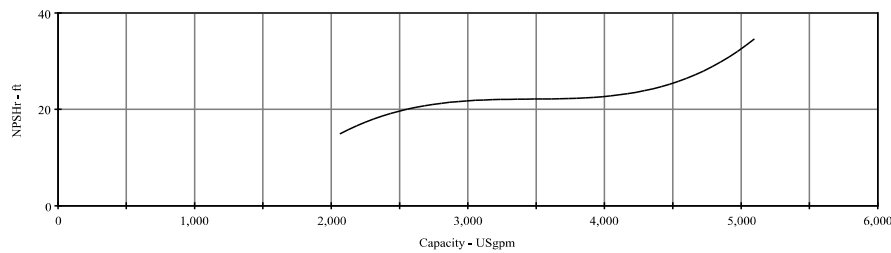
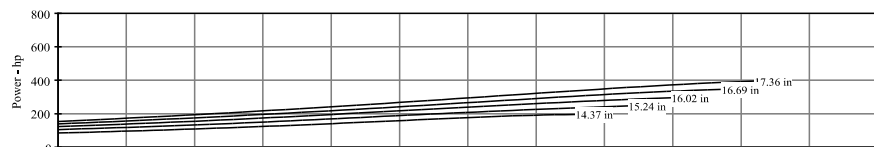
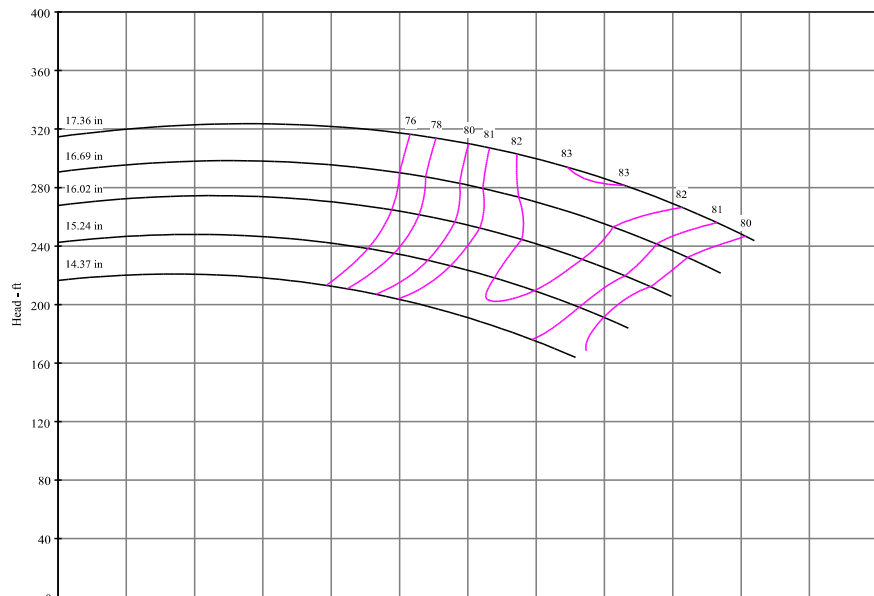
Wilo-Atmos TERA-SCH-HE - Horizontal Split Case Pumps



Atmos TERA-SCH-HE-12X8X18 SV

	Project:									
	Engineer:									
	Contractor:									
	Submitted By:					Date:				
	Approved By:					Date:				

Tag #	Model #	Flow (USGPM)	Head (Feet)	HP	Enclosure TEFC/ODP	Frame	Cycle	Phase	Voltage	RPM
	Atmos TERA-SCH-HE-12X8X18 SV						60 Hz	3		



Technical Data

Approved Fluids	
Heating Water	
Cooling and cold water	
Water, Ethylene Glycol, Propylene Glycol	
Fluid Temperature	
Mechanical Seal	18°F to 248°F
Packed Seal	18°F to 212°F
Max. Pressure	
175 PSI	

Materials of Construction

Volute Wall	Single
Pump Housing	ASTM 2001 A48 CLASS-35
Impeller	ASTM A743 Gr. CF8 Stainless Steel
Stationary Wear Rings	ASTM B584 C90500
Pump Shaft	ASTM A276, GR. 410 Stainless Steel
Mechanical Seal	Carbon/silicon carbide/EPDM (E1)
Packed Seals	20% GF PPE & PS with Graphited Cotton Packing
Clockwise Rotation	
Anti-Clockwise Rotation	
Additional Spacer Coupling	Avail. on request
Other:	

Approval Stamp

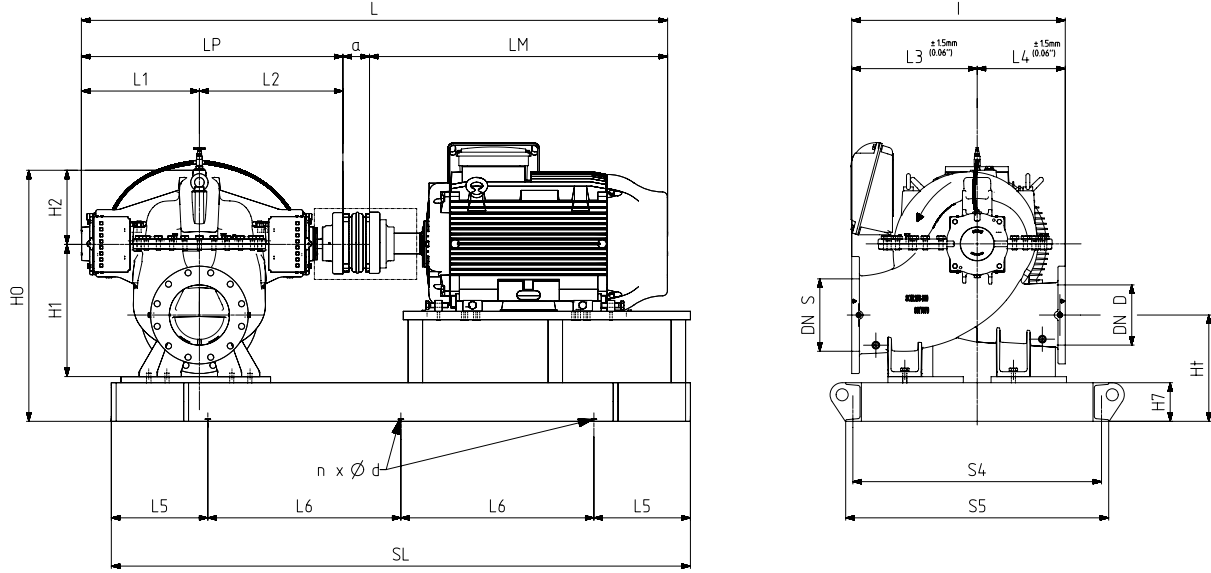
Submittal Data Sheet

Wilo-Atmos TERA-SCH-HE- Horizontal Split Case Pumps



Dimensional Drawing

Single Stage Pump



Atmos TERA-SCH-HE-12x8x18 SV

Dimensions - Inches

Frame	a	L	I	L1	L2	L3	L4	LM	LP	H1	H2	H7	HO	Ht	SL	L5	L6	n	Ød	S4	S5	DN S	DN D
444/5T	1.77	88.11	43.31	21.71	26.32	23.62	19.69	38.31	48.03	23.03	14.17	6	44.2	14.96	88.98	15.75	28.74	6	1.18	36.89	39.25	11.81	7.87
444/5T	1.77	88.11	43.31	21.71	26.32	23.62	19.69	38.31	48.03	23.03	14.17	6	44.2	14.96	88.98	15.75	28.74	6	1.18	36.89	39.25	11.81	7.87
447/9T	1.77	96.5	43.31	21.71	26.32	23.62	19.69	46.69	48.03	23.03	14.17	6	44.2	14.96	88.98	15.75	28.74	6	1.18	36.89	39.25	11.81	7.87
447/9T	1.77	96.5	43.31	21.71	26.32	23.62	19.69	46.69	48.03	23.03	14.17	6	44.2	14.96	98.43	15.75	33.46	6	1.18	36.89	39.25	11.81	7.87
447/9T	1.77	92.76	43.31	21.71	26.32	23.62	19.69	42.95	48.03	23.03	14.17	6	44.2	14.96	98.43	15.75	33.46	6	1.18	36.89	39.25	11.81	7.87
445/7T	0.25	97.06	43.31	21.71	26.32	23.62	19.69	48.78	48.03	23.03	14.17	6	44.2	14.96	88.98	15.75	28.74	6	1.18	36.89	39.25	11.81	7.87
445/7T	1.77	98.58	43.31	21.71	26.32	23.62	19.69	48.78	48.03	23.03	14.17	6	44.2	14.96	88.98	15.75	28.74	6	1.18	36.89	39.25	11.81	7.87
447/9T	1.77	106.14	43.31	21.71	26.32	23.62	19.69	56.34	48.03	23.03	14.17	6	44.2	14.96	88.98	15.75	28.74	6	1.18	36.89	39.25	11.81	7.87
447/9T	1.77	106.22	43.31	21.71	26.32	23.62	19.69	56.42	48.03	23.03	14.17	6	44.2	14.96	98.43	15.75	33.46	6	1.18	36.89	39.25	11.81	7.87
L447/9T	1.77	107.13	43.31	21.71	26.32	23.62	19.69	57.32	48.03	23.03	14.17	6	44.2	14.96	98.43	15.75	33.46	6	1.18	36.89	39.25	11.81	7.87

Flange Dimensions - Suction Side

Dimensions - Inches

	DN S	ØD	Ød	Øk	b	n	ØD2
12" 125#	11.81	19.09	0	17.01	1.25	12	1"

Flange Dimensions - Discharge Side

Dimensions - Inches

	DN D	ØD	Ød	Øk	b	n	ØD2
8" 125#	7.87	13.58	0	11.77	1.13	8	7/8"

