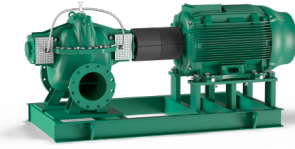


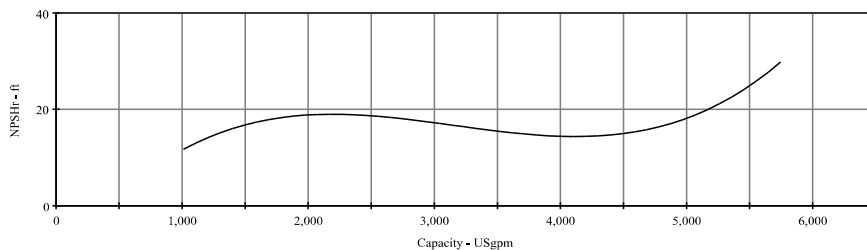
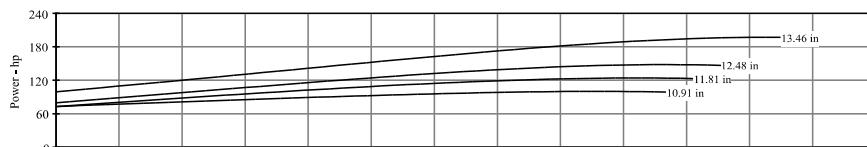
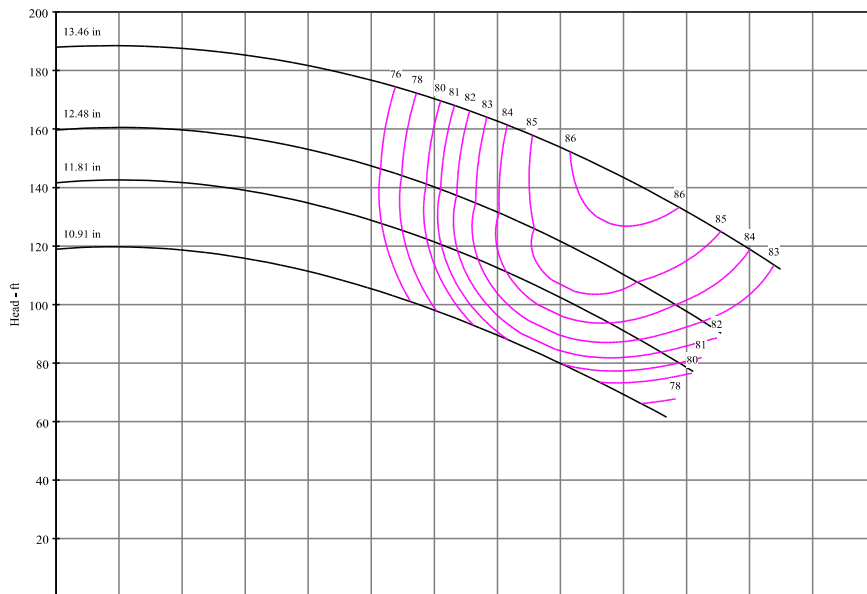
Submittal Data Sheet

Wilo-Atmos TERA-SCH-HE - Horizontal Split Case Pumps



Atmos TERA-SCH-HE-12X10X13 DV

	Project:									
	Engineer:									
	Contractor:									
	Submitted By:					Date:				
	Approved By:					Date:				
Tag #	Model #	Flow (USGPM)	Head (Feet)	HP	Enclosure TEFC/ODP	Frame	Cycle	Phase	Voltage	RPM
	Atmos TERA-SCH-HE-12X10X13 DV						60 Hz	3		

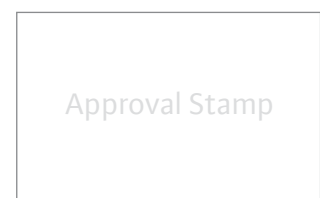


Technical Data

Approved Fluids	
Heating Water	
Cooling and cold water	
Water, Ethylene Glycol, Propylene Glycol	
Fluid Temperature	
Mechanical Seal	18°F to 248°F
Packed Seal	18°F to 212°F
Max. Pressure	
175 PSI	

Materials of Construction

Volute Wall	Double
Pump Housing	ASTM 2001 A48 CLASS-35
Impeller	ASTM A743 Gr.CF8 Stainless Steel
Stationary Wear Rings	ASTM B584 C90500
Pump Shaft	ASTM A276, GR. 410 Stainless Steel
Mechanical Seal	Carbon/silicon carbide/EPDM (E1)
Packed Seals	20% GF PPE & PS with Graphited Cotton Packing
Clockwise Rotation	
Anti-Clockwise Rotation	
Additional Spacer Coupling	Avail. on request
Other:	



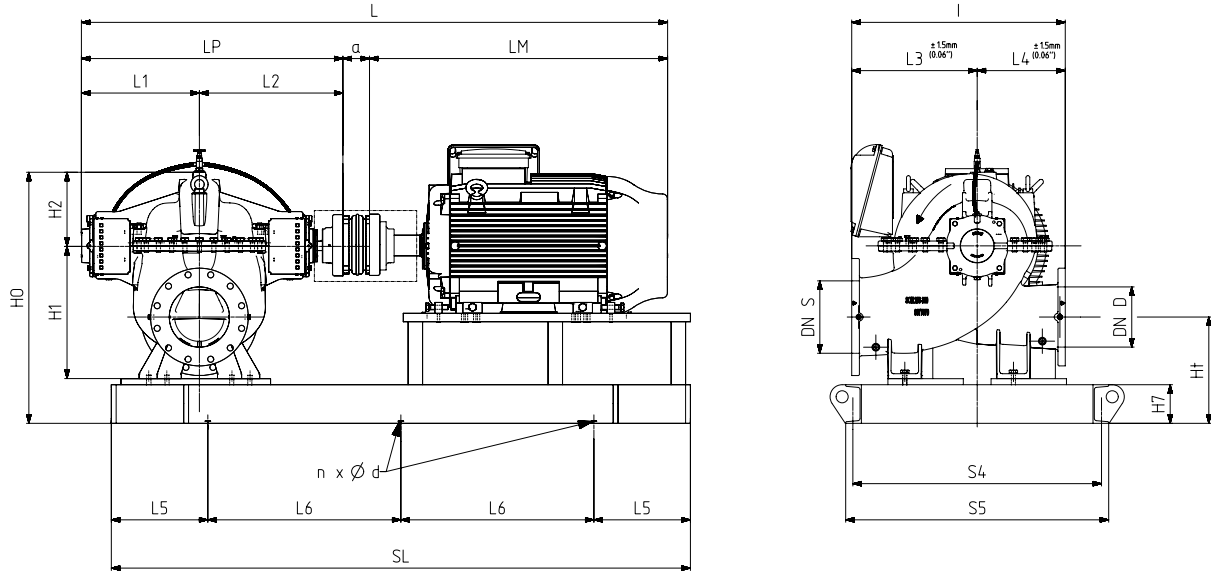
Submittal Data Sheet

Wilo-Atmos TERA-SCH-HE- Horizontal Split Case Pumps



Dimensional Drawing

Single Stage Pump



Atmos TERA-SCH-HE-12x10x13 DV

Dimensions - Inches

Frame	a	L	I	L1	L2	L3	L4	LM	LP	H1	H2	H7	HO	Ht	SL	L5	L6	n	Ød	S4	S5	DN S	DN D
404/5T	0.25	76.75	34.84	19.21	23.19	20.47	14.37	34.09	42.4	21.65	12.01	6	40.66	15.55	79.53	15.75	25.59	6	1.18	32.56	34.92	11.81	9.84
404/5T	0.25	76.75	34.84	19.21	23.19	20.47	14.37	34.09	42.4	21.65	12.01	6	40.66	15.55	79.53	15.75	25.59	6	1.18	32.56	34.92	11.81	9.84
444/5T	0.25	80.96	34.84	19.21	23.19	20.47	14.37	38.31	42.4	21.65	12.01	6	40.66	15.55	79.53	15.75	25.59	6	1.18	32.56	34.92	11.81	9.84
444/5T	1.77	82.48	34.84	19.21	23.19	20.47	14.37	38.31	42.4	21.65	12.01	6	40.66	15.55	79.53	15.75	25.59	6	1.18	32.56	34.92	11.81	9.84
404/5T	0.25	82.46	34.84	19.21	23.19	20.47	14.37	39.8	42.4	21.65	12.01	6	40.66	15.55	79.53	15.75	25.59	6	1.18	32.56	34.92	11.81	9.84
444/5T	0.25	87.89	34.84	19.21	23.19	20.47	14.37	45.24	42.4	21.65	12.01	6	40.66	15.55	79.53	15.75	25.59	6	1.18	32.56	34.92	11.81	9.84
444/5T	0.25	87.89	34.84	19.21	23.19	20.47	14.37	45.24	42.4	21.65	12.01	6	40.66	15.55	79.53	15.75	25.59	6	1.18	32.56	34.92	11.81	9.84
445/7T	0.25	91.43	34.84	19.21	23.19	20.47	14.37	48.78	42.4	21.65	12.01	6	40.66	15.55	79.53	15.75	25.59	6	1.18	32.56	34.92	11.81	9.84

Flange Dimensions - Suction Side

Dimensions - Inches

	DN S	ØD	Ød	Øk	b	n	ØD2
12" 125#	11.81	19.09	0	17.01	1.25	12	1"

Flange Dimensions - Discharge Side

Dimensions - Inches

	DN D	ØD	Ød	Øk	b	n	ØD2
10" 125#	9.84	15.94	0	14.25	1.19	12	1"

