

Submittal Data Sheet

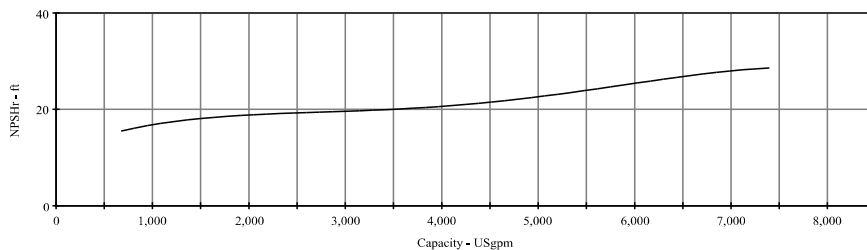
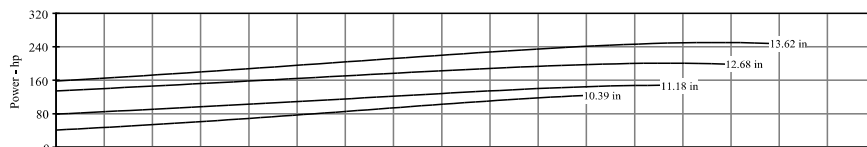
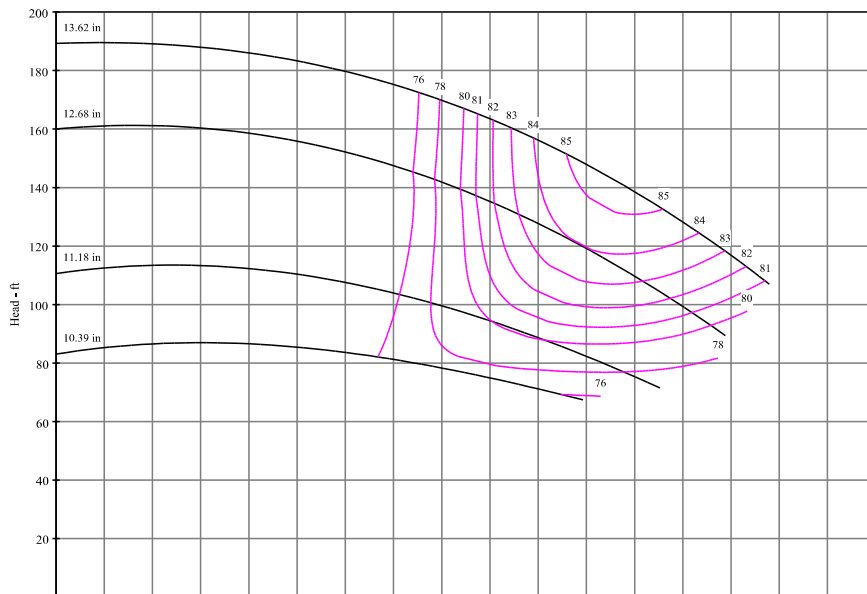
Wilo-Atmos TERA-SCH-HE - Horizontal Split Case Pumps



Atmos TERA-SCH-HE-12X10X14 SV

	Project:									
	Engineer:									
	Contractor:									
	Submitted By:					Date:				
	Approved By:					Date:				

Tag #	Model #	Flow (USGPM)	Head (Feet)	HP	Enclosure TEFC/ODP	Frame	Cycle	Phase	Voltage	RPM
	Atmos TERA-SCH-HE-12X10X14 SV						60 Hz	3		

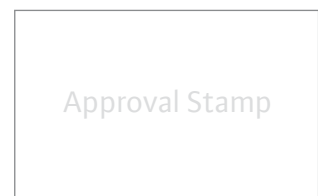


Technical Data

Approved Fluids	
Heating Water	
Cooling and cold water	
Water, Ethylene Glycol, Propylene Glycol	
Fluid Temperature	
Mechanical Seal	18°F to 248°F
Packed Seal	18°F to 212°F
Max. Pressure	
175 PSI	

Materials of Construction

Volute Wall	Single
Pump Housing	ASTM 2001 A48 CLASS-35
Impeller	ASTM A743 Gr.CF8 Stainless Steel
Stationary Wear Rings	ASTM B584 C90500
Pump Shaft	ASTM A276, GR. 410 Stainless Steel
Mechanical Seal	Carbon/silicon carbide/EPDM (E1)
Packed Seals	20% GF PPE & PS with Graphited Cotton Packing
Clockwise Rotation	
Anti-Clockwise Rotation	
Additional Spacer Coupling	Avail. on request
Other:	



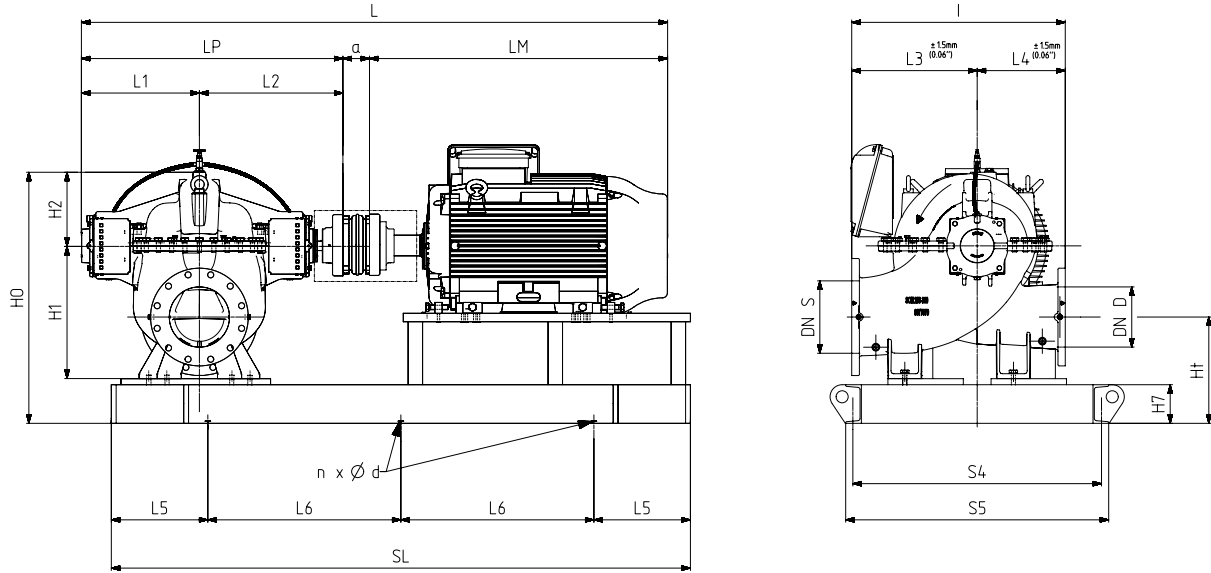
Submittal Data Sheet

Wilo-Atmos TERA-SCH-HE- Horizontal Split Case Pumps



Dimensional Drawing

Single Stage Pump



Atmos TERA-SCH-HE-12x10x14 SV

Dimensions - Inches

Frame	a	L	I	L1	L2	L3	L4	LM	LP	H1	H2	H7	HO	Ht	SL	L5	L6	n	Ød	S4	S5	DN S	DN D
404/5T	0.25	85.17	37.2	23.15	27.68	20.67	16.54	34.09	50.83	21.46	12.4	6	40.86	15.75	88.98	15.75	28.74	6	1.18	36.89	39.25	11.81	9.84
404/5T	0.25	85.17	37.2	23.15	27.68	20.67	16.54	34.09	50.83	21.46	12.4	6	40.86	15.75	88.98	15.75	28.74	6	1.18	36.89	39.25	11.81	9.84
444/5T	0.25	89.39	37.2	23.15	27.68	20.67	16.54	38.31	50.83	21.46	12.4	6	40.86	15.75	88.98	15.75	28.74	6	1.18	36.89	39.25	11.81	9.84
444/5T	1.77	90.91	37.2	23.15	27.68	20.67	16.54	38.31	50.83	21.46	12.4	6	40.86	15.75	88.98	15.75	28.74	6	1.18	36.89	39.25	11.81	9.84
444/5T	1.77	90.91	37.2	23.15	27.68	20.67	16.54	38.31	50.83	21.46	12.4	6	40.86	15.75	88.98	15.75	28.74	6	1.18	36.89	39.25	11.81	9.84
404/5T	0.25	90.88	37.2	23.15	27.68	20.67	16.54	39.8	50.83	21.46	12.4	6	40.86	15.75	88.98	15.75	28.74	6	1.18	36.89	39.25	11.81	9.84
444/5T	0.25	96.31	37.2	23.15	27.68	20.67	16.54	45.24	50.83	21.46	12.4	6	40.86	15.75	88.98	15.75	28.74	6	1.18	36.89	39.25	11.81	9.84
444/5T	0.25	96.31	37.2	23.15	27.68	20.67	16.54	45.24	50.83	21.46	12.4	6	40.86	15.75	88.98	15.75	28.74	6	1.18	36.89	39.25	11.81	9.84
445/7T	0.25	99.86	37.2	23.15	27.68	20.67	16.54	48.78	50.83	21.46	12.4	6	40.86	15.75	88.98	15.75	28.74	6	1.18	36.89	39.25	11.81	9.84
445/7T	1.77	101.38	37.2	23.15	27.68	20.67	16.54	48.78	50.83	21.46	12.4	6	40.86	15.75	88.98	15.75	28.74	6	1.18	36.89	39.25	11.81	9.84

Flange Dimensions - Suction Side

Dimensions - Inches

	DN S	ØD	Ød	Øk	b	n	ØD2
12" 125#	11.81	19.09	0	17.01	1.25	12	1"

Flange Dimensions - Discharge Side

Dimensions - Inches

	DN D	ØD	Ød	Øk	b	n	ØD2
10" 125#	9.84	15.94	0	14.25	1.19	12	1"

