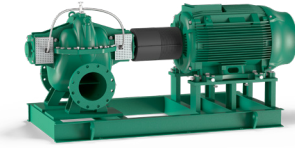


# Submittal Data Sheet

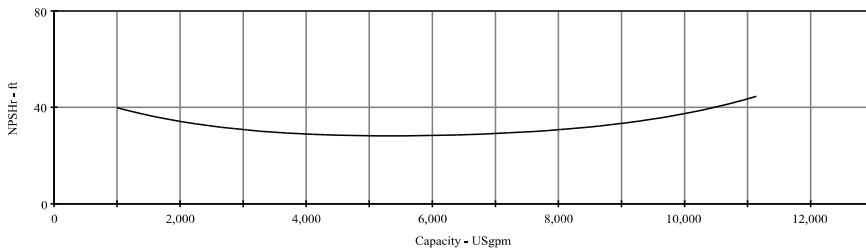
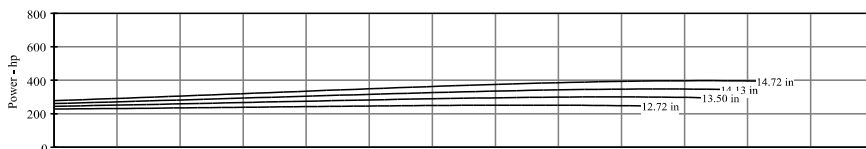
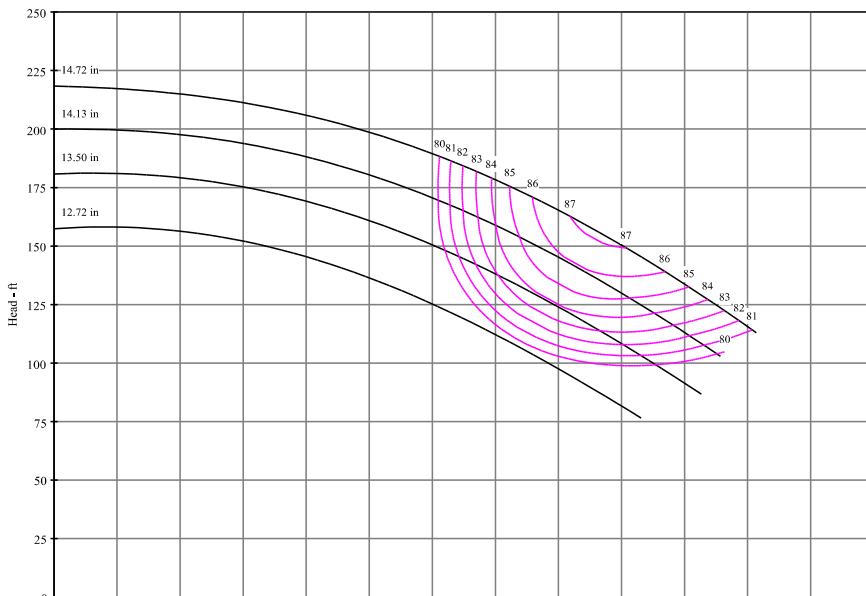
## Wilo-Atmos TERA-SCH-HE - Horizontal Split Case Pumps



### Atmos TERA-SCH-HE-16X12X16 DV

	Project:									
	Engineer:									
	Contractor:									
	Submitted By:					Date:				
	Approved By:					Date:				

Tag #	Model #	Flow (USGPM)	Head (Feet)	HP	Enclosure TEFC/ODP	Frame	Cycle	Phase	Voltage	RPM
	Atmos TERA-SCH-HE-16X12X16 DV						60 Hz	3		

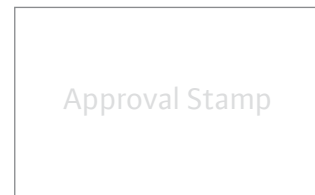


#### Technical Data

<b>Approved Fluids</b>	
Heating Water	
Cooling and cold water	
Water, Ethylene Glycol, Propylene Glycol	
<b>Fluid Temperature</b>	
Mechanical Seal	18°F to 248°F
Packed Seal	18°F to 212°F
<b>Max. Pressure</b>	
175 PSI	

#### Materials of Construction

Volute Wall	Double
Pump Housing	ASTM 2001 A48 CLASS-35
Impeller	ASTM A743 Gr.CF8 Stainless Steel
Stationary Wear Rings	ASTM B584 C90500
Pump Shaft	ASTM A276, GR. 410 Stainless Steel
Mechanical Seal	Carbon/silicon carbide/EPDM (E1)
Packed Seals	20% GF PPE & PS with Graphited Cotton Packing
Clockwise Rotation	
Anti-Clockwise Rotation	
Additional Spacer Coupling	Avail. on request
Other:	



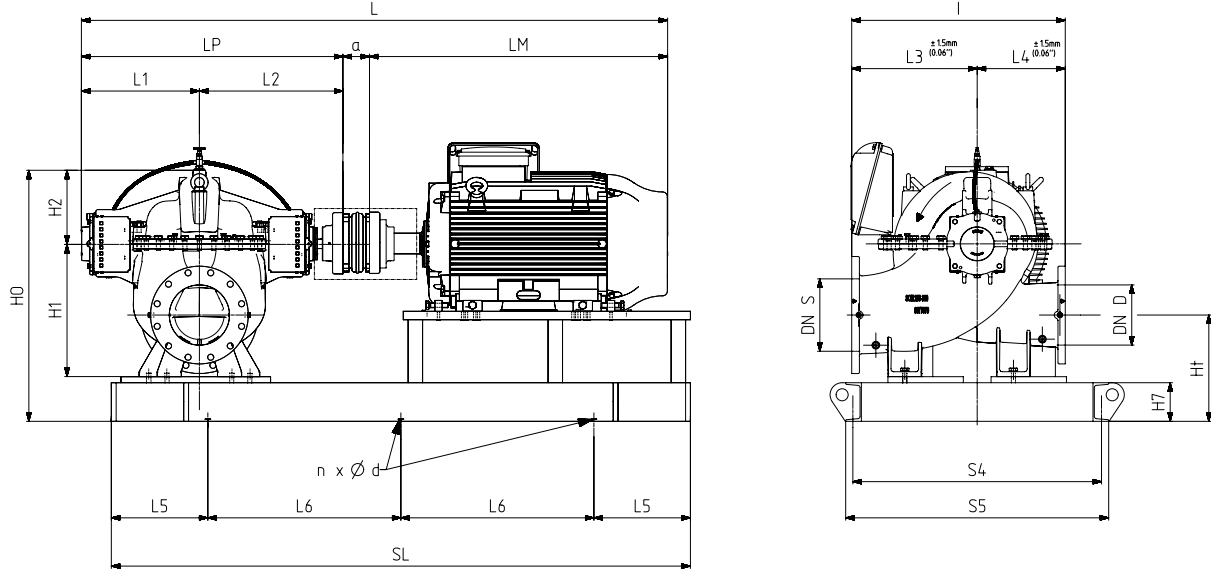
# Submittal Data Sheet

Wilo-Atmos TERA-SCH-HE- Horizontal Split Case Pumps



## Dimensional Drawing

### Single Stage Pump



### Atmos TERA-SCH-HE-16x12x16 DV

Dimensions - Inches

Frame	a	L	I	L1	L2	L3	L4	LM	LP	H1	H2	H7	HO	Ht	SL	L5	L6	n	Ød	S4	S5	DN S	DN D
444/5T	1.77	90.83	42.91	23.07	27.68	24.8	18.11	38.31	50.75	25.98	13.98	6	46.96	18.7	98.43	15.75	33.46	6	1.18	36.89	39.25	15.75	11.81
444/5T	1.77	90.83	42.91	23.07	27.68	24.8	18.11	38.31	50.75	25.98	13.98	6	46.96	18.7	98.43	15.75	33.46	6	1.18	36.89	39.25	15.75	11.81
447/9T	1.77	99.21	42.91	23.07	27.68	24.8	18.11	46.69	50.75	25.98	13.98	6	46.96	18.7	98.43	15.75	33.46	6	1.18	36.89	39.25	15.75	11.81
447/9T	1.77	99.21	42.91	23.07	27.68	24.8	18.11	46.69	50.75	25.98	13.98	6	46.96	18.7	98.43	15.75	33.46	6	1.18	36.89	39.25	15.75	11.81
447/9T	1.77	95.47	42.91	23.07	27.68	24.8	18.11	42.95	50.75	25.98	13.98	6	46.96	18.7	98.43	15.75	33.46	6	1.18	36.89	39.25	15.75	11.81
445/7T	0.25	99.78	42.91	23.07	27.68	24.8	18.11	48.78	50.75	25.98	13.98	6	46.96	18.7	98.43	15.75	33.46	6	1.18	36.89	39.25	15.75	11.81
445/7T	1.77	101.3	42.91	23.07	27.68	24.8	18.11	48.78	50.75	25.98	13.98	6	46.96	18.7	98.43	15.75	33.46	6	1.18	36.89	39.25	15.75	11.81
447/9T	1.77	108.86	42.91	23.07	27.68	24.8	18.11	56.34	50.75	25.98	13.98	6	46.96	18.7	98.43	15.75	33.46	6	1.18	36.89	39.25	15.75	11.81
447/9T	1.77	108.94	42.91	23.07	27.68	24.8	18.11	56.42	50.75	25.98	13.98	6	46.96	18.7	98.43	15.75	33.46	6	1.18	36.89	39.25	15.75	11.81
L447/9T	1.77	109.84	42.91	23.07	27.68	24.8	18.11	57.32	50.75	25.98	13.98	6	46.96	18.7	98.43	15.75	33.46	6	1.18	36.89	39.25	15.75	11.81

### Flange Dimensions - Suction Side

Dimensions - Inches

DN S	ØD	Ød	Øk	b	n	ØD2	
16" 125#	15.75	23.43	0	21.26	1.44	16	1 1/8"

### Flange Dimensions - Discharge Side

Dimensions - Inches

DN D	ØD	Ød	Øk	b	n	ØD2	
12" 125#	11.81	19.09	0	17.01	1.25	12	1"

