

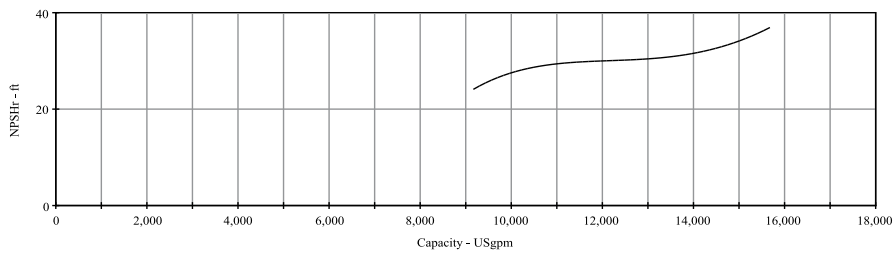
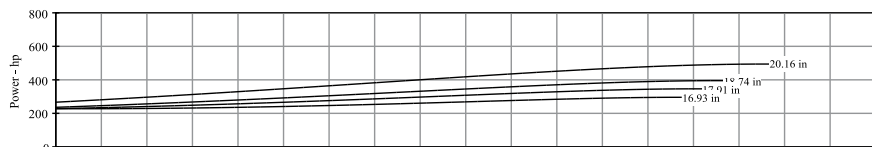
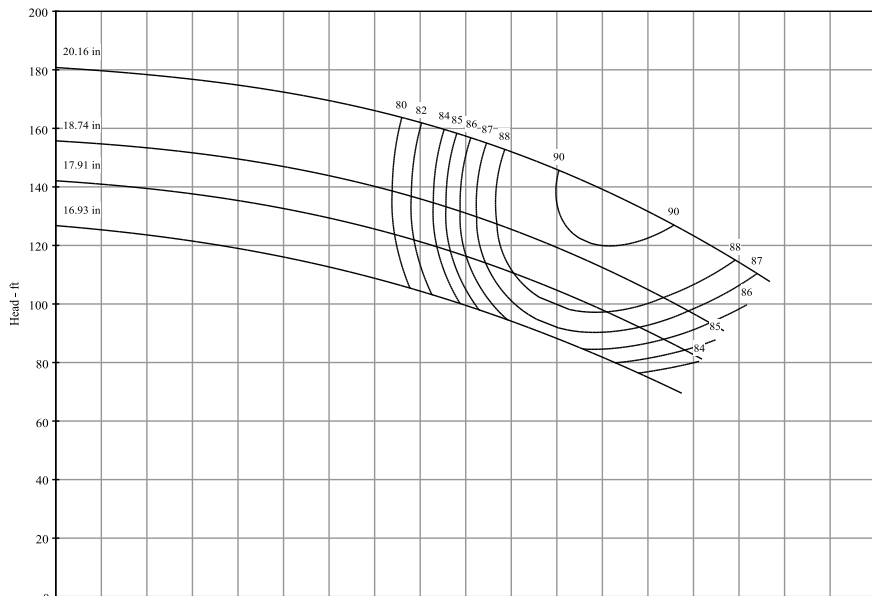
Submittal Data Sheet

Wilo-Atmos TERA-SCH-HE - Horizontal Split Case Pumps



Atmos TERA-SCH-HE-20X16X21 DV

	Project:									
	Engineer:									
	Contractor:									
	Submitted By:					Date:				
	Approved By:					Date:				
Tag #	Model #	Flow (USGPM)	Head (Feet)	HP	Enclosure TEFC/ODP	Frame	Cycle	Phase	Voltage	RPM
	Atmos TERA-SCH-HE-20X16X21 DV						60 Hz	3		

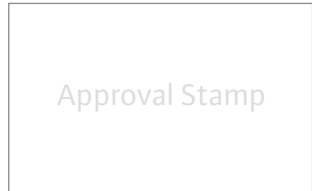


Technical Data

Approved Fluids	
Heating Water	
Cooling and cold water	
Water, Ethylene Glycol, Propylene Glycol	
Fluid Temperature	
Mechanical Seal	18°F to 248°F
Packed Seal	18°F to 212°F
Max. Pressure	
175 PSI	

Materials of Construction

Volute Wall	Double
Pump Housing	ASTM 2001 A48 CLASS-35
Impeller	ASTM A743 Gr. CF8 Stainless Steel
Stationary Wear Rings	ASTM B584 C90500
Pump Shaft	ASTM A276, GR. 410 Stainless Steel
Mechanical Seal	Carbon/silicon carbide/EPDM (E1)
Packed Seals	20% GF PPE & PS with Graphited Cotton Packing
Clockwise Rotation	
Anti-Clockwise Rotation	
Additional Spacer Coupling	Avail. on request
Other:	



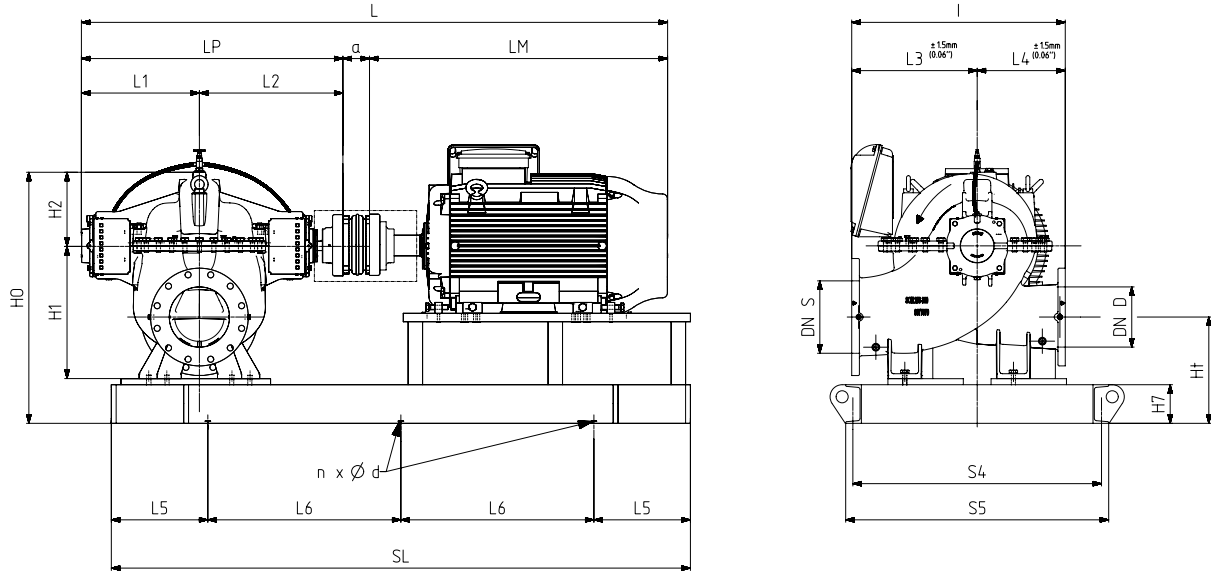
Submittal Data Sheet

Wilo-Atmos TERA-SCH-HE- Horizontal Split Case Pumps



Dimensional Drawing

Single Stage Pump



Atmos TERA-SCH-HE-20x16x21 DV

Dimensions - Inches

Frame	a	L	I	L1	L2	L3	L4	LM	LP	H1	H2	H7	HO	Ht	SL	L5	L6	n	Ød	S4	S5	DN S	DN D
447/9T	1.77	104.76	46.85	25.55	30.75	27.17	19.69	46.69	56.3	32.28	18.9	6	58.43	20.87	97.24	15.75	38.19	6	1.18	42.01	44.37	19.69	15.75
447/9T	1.77	104.76	46.85	25.55	30.75	27.17	19.69	46.69	56.3	32.28	18.9	6	58.43	20.87	97.24	15.75	38.19	6	1.18	42.01	44.37	19.69	15.75
447/9T	1.77	58.07	46.85	25.55	30.75	27.17	19.69	0	56.3	32.28	18.9	6	58.43	20.87	97.24	15.75	38.19	6	1.18	42.01	44.37	19.69	15.75
447/9T	1.77	114.49	46.85	25.55	30.75	27.17	19.69	56.42	56.3	32.28	18.9	4	58.43	20.87	97.24	15.75	38.19	6	1.18	42.01	44.37	19.69	15.75
447/9T	1.77	114.49	46.85	25.55	30.75	27.17	19.69	56.42	56.3	32.28	18.9	4	58.43	20.87	97.24	15.75	38.19	6	1.18	42.01	44.37	19.69	15.75
447/9T	1.77	115.39	46.85	25.55	30.75	27.17	19.69	57.32	56.3	32.28	18.9	4	58.43	20.87	97.24	15.75	38.19	6	1.18	42.01	44.37	19.69	15.75
444/5T	1.77	101.3	48.23	23.07	27.68	27.56	20.67	48.78	50.75	28.35	15.75	6	51.09	19.49	98.43	15.75	33.46	6	1.18	36.89	39.25	17.72	13.78
447/9T	1.77	108.94	48.23	23.07	27.68	27.56	20.67	56.42	50.75	28.35	15.75	6	51.09	19.49	98.43	15.75	33.46	6	1.18	36.89	39.25	17.72	13.78
447/9T	1.77	108.94	48.23	23.07	27.68	27.56	20.67	56.42	50.75	28.35	15.75	6	51.09	19.49	98.43	15.75	33.46	6	1.18	36.89	39.25	17.72	13.78
447/9T	1.77	108.94	48.23	23.07	27.68	27.56	20.67	56.42	50.75	28.35	15.75	6	51.09	19.49	98.43	15.75	33.46	6	1.18	36.89	39.25	17.72	13.78

Flange Dimensions - Suction Side

Dimensions - Inches

DN S	ØD	Ød	Øk	b	n	ØD2	
20" 125#	19.69	28.15	0	25	1.69	20	1 1/4"

Flange Dimensions - Discharge Side

Dimensions - Inches

DN D	ØD	Ød	Øk	b	n	ØD2	
16" 125#	15.75	23.43	0	21.26	1.44	16	1 1/8"

