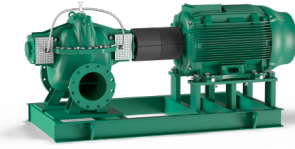


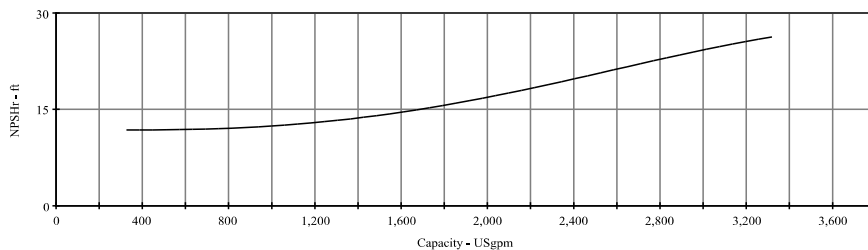
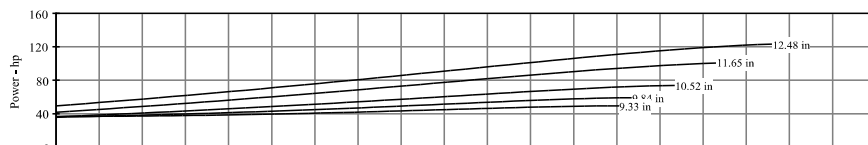
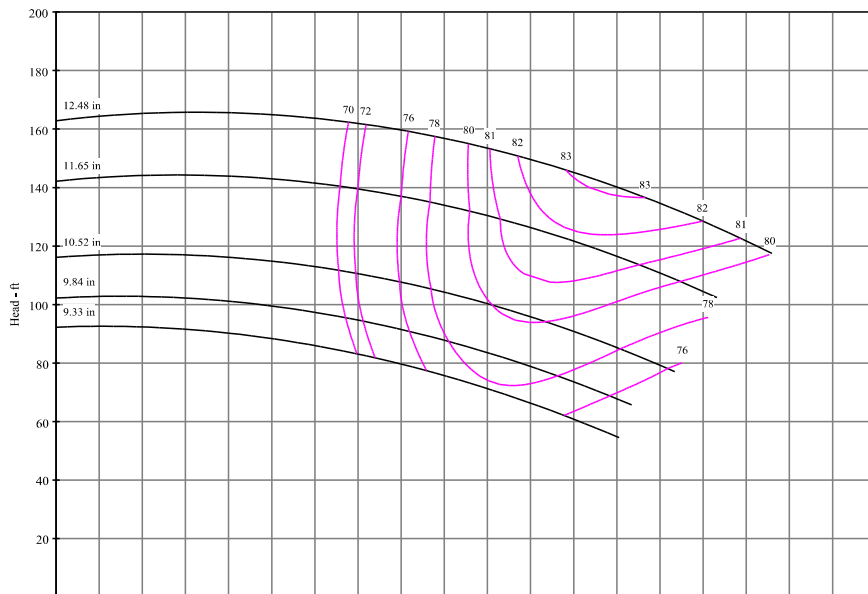
Submittal Data Sheet

Wilo-Atmos TERA-SCH-HE - Horizontal Split Case Pumps



Atmos TERA-SCH-HE-8X6X13 SV

	Project:										
	Engineer:										
	Contractor:										
	Submitted By:					Date:					
	Approved By:					Date:					
Tag #	Model #	Flow (USGPM)	Head (Feet)	HP	Enclosure TEFC/ODP	Frame	Cycle	Phase	Voltage	RPM	
	Atmos TERA-SCH-HE-8X6X13 SV						60 Hz	3			



Technical Data

Approved Fluids	
Heating Water	
Cooling and cold water	
Water, Ethylene Glycol, Propylene Glycol	
Fluid Temperature	
Mechanical Seal	18°F to 248°F
Packed Seal	18°F to 212°F
Max. Pressure	
175 PSI	

Materials of Construction

Volute Wall	Single
Pump Housing	ASTM 2001 A48 CLASS-35
Impeller	ASTM A743 Gr. CF8 Stainless Steel
Stationary Wear Rings	ASTM B584 C90500
Pump Shaft	ASTM A276, GR. 410 Stainless Steel
Mechanical Seal	Carbon/silicon carbide/EPDM (E1)
Packed Seals	20% GF PPE & PS with Graphited Cotton Packing
Clockwise Rotation	
Anti-Clockwise Rotation	
Additional Spacer Coupling	Avail. on request
Other:	



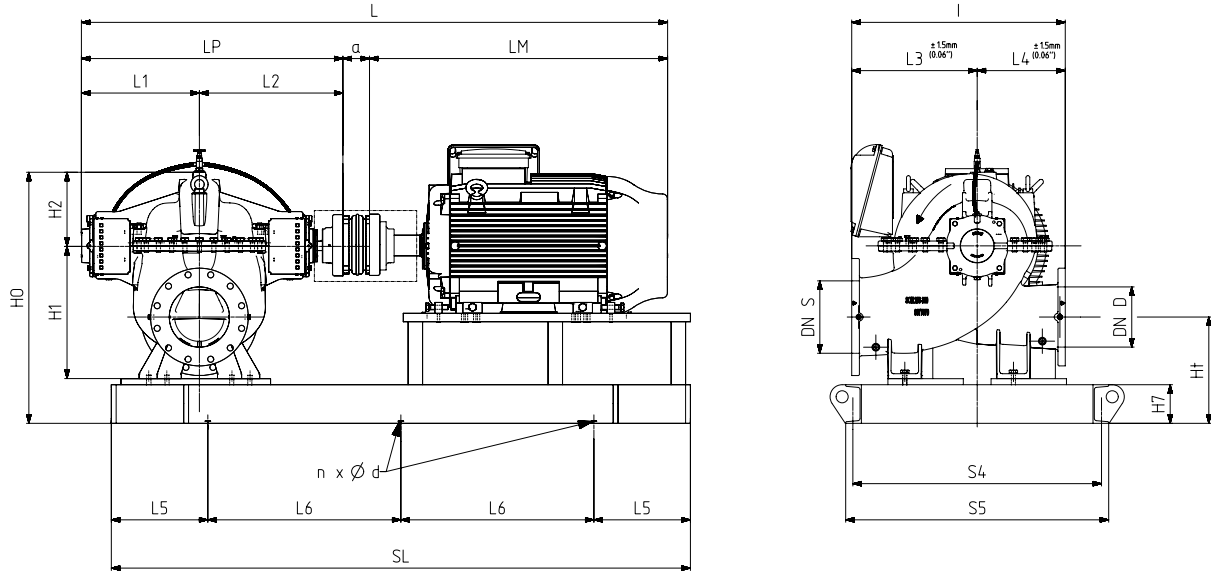
Submittal Data Sheet

Wilo-Atmos TERA-SCH-HE- Horizontal Split Case Pumps



Dimensional Drawing

Single Stage Pump



Atmos TERA-SCH-HE-8X6X13 SV

Dimensions - Inches

Frame	a	L	I	L1	L2	L3	L4	LM	LP	H1	H2	H7	HO	Ht	SL	L5	L6	n	Ød	S4	S5	DN S	DN D
324/6T	0.25	66.59	28.35	17.5	21.52	15.75	12.6	27.32	39.02	16.73	10.43	4	32.17	12.8	70.08	15.75	19.29	6	0.98	28.86	30.98	7.87	5.91
364/5T	0.25	68.91	28.35	17.5	21.52	15.75	12.6	29.65	39.02	16.73	10.43	4	32.17	12.8	70.08	15.75	19.29	6	0.98	28.86	30.98	7.87	5.91
364/5T	0.25	68.99	28.35	17.5	21.52	15.75	12.6	29.72	39.02	16.73	10.43	6	34.17	12.8	79.53	15.75	25.59	6	1.18	32.56	34.92	7.87	5.91
404/5T	0.25	73.36	28.35	17.5	21.52	15.75	12.6	34.09	39.02	16.73	10.43	6	34.17	12.8	79.53	15.75	25.59	6	1.18	32.56	34.92	7.87	5.91
324/6T	0.25	70.37	28.35	17.5	21.52	15.75	12.6	31.1	39.02	16.73	10.43	4	32.17	12.8	70.08	15.75	19.29	6	0.98	28.86	30.98	7.87	5.91
364/5T	0.25	73.68	28.35	17.5	21.52	15.75	12.6	34.41	39.02	16.73	10.43	4	32.17	12.8	70.08	15.75	19.29	6	0.98	28.86	30.98	7.87	5.91
364/5T	0.25	73.68	28.35	17.5	21.52	15.75	12.6	34.41	39.02	16.73	10.43	6	34.17	12.8	79.53	15.75	25.59	6	1.18	32.56	34.92	7.87	5.91
404/5T	0.25	79.07	28.35	17.5	21.52	15.75	12.6	39.8	39.02	16.73	10.43	6	34.17	12.8	79.53	15.75	25.59	6	1.18	32.56	34.92	7.87	5.91

Flange Dimensions - Suction Side

Dimensions - Inches

	DN S	ØD	Ød	Øk	b	n	ØD2
8" 125#	7.87	13.58	0	11.77	1.13	8	7/8"

Flange Dimensions - Discharge Side

Dimensions - Inches

	DN D	ØD	Ød	Øk	b	n	ØD2
6" 125#	5.91	11.22	0	9.49	1.02	8	7/8"

