

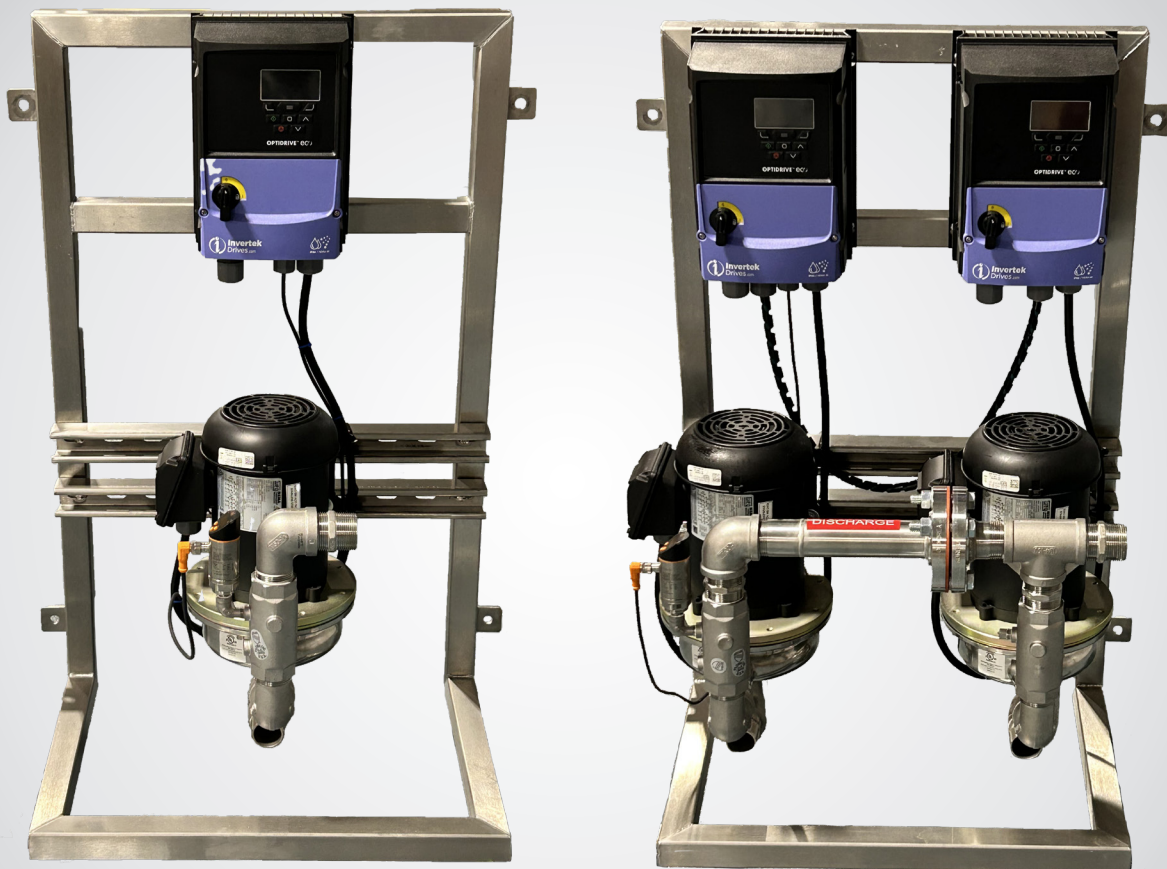
Pioneering for You



*Product Brochure - 60 Hz*

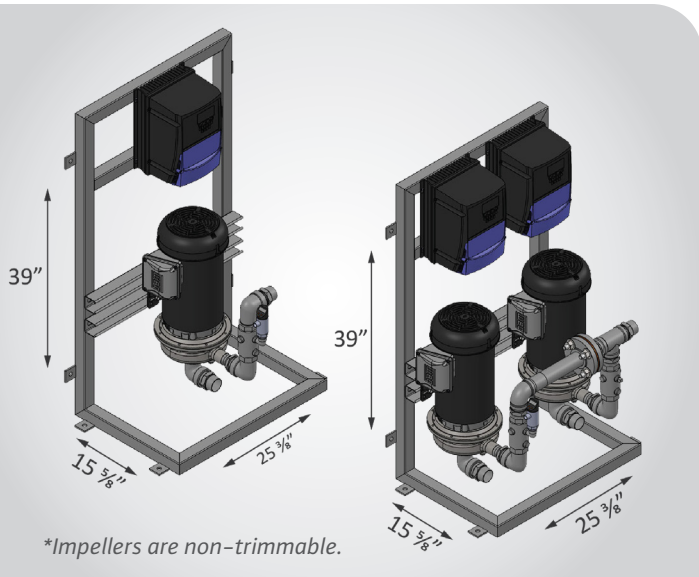
## Wilo-MicroFlo

Out of The Box, High-Efficiency Compact Booster



# Out of The Box, High-Efficiency Compact Booster

Wilo-MicroFlo



## Ideal Applications

- Strip Malls/Restaurants
- Multi-Family Housing
- Small Office Buildings
- Truck Stops/Car Washes

**Max Head:** 140 feet

**Max. Flow:** 57 gpm

## Features & Benefits

- Plug & Play Ready Solution requiring minimal engineering
- Highly compact, 1 or 2 pump booster for low flow- low boost applications.
- 304 Stainless Steel pumps & fittings
- Voltages: 230/1, 208/3, 460/3, 575/3
- Variable Frequency Drives & Master Power Switch included standard
- IP66 Rated VFDs & TEFC Motors for indoor/outdoor locations
- Multi-functional Digital Pressure Sensor with pipe break feature
- Non-Slam (Silent) Operation resilient seated check valve
- Compact Front-Side Access accommodates wall or floor anchoring
- Simplex & Duplex Vertical Mounted Pumps for easy seal maintenance
- Simple System Connections: 1.25" NPT
- 1 Year Warranty

