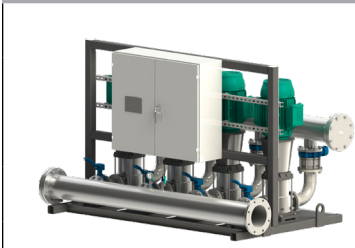


Submittal Data Sheet

Wilo-CO MVI - NSF 61/372 Pressure Boosting System

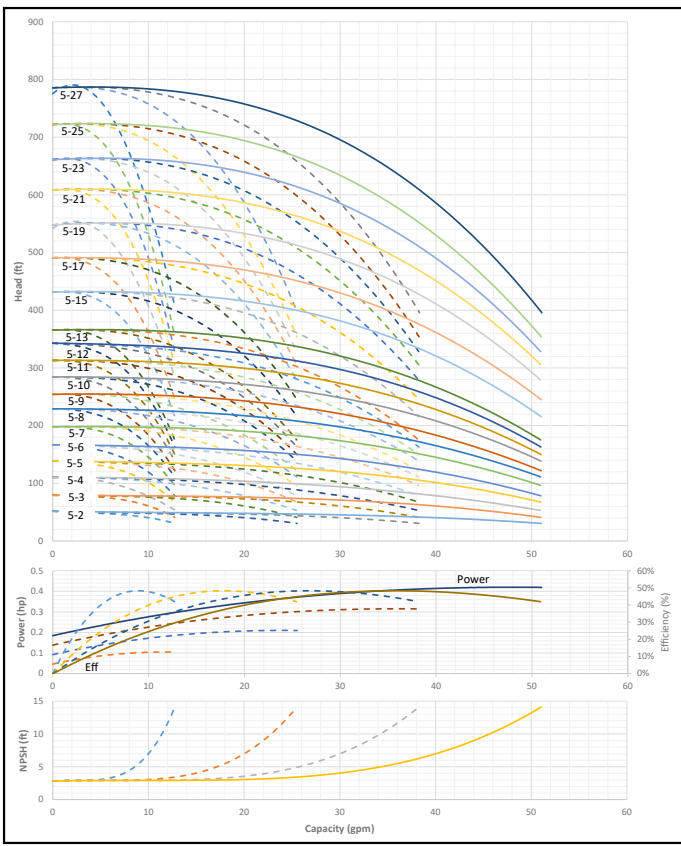


CO4 MVI-5



Project:	
Engineer:	
Contractor:	
Submitted By:	Date:
Approved By:	Date:

Tag #	Model #	Flow	BOOST PSI	Min. Inlet PSI	HP/Pump	Phase	Voltage	RPM
	CO4 MVI-5				1			3600



Applications	
• Water Supply	• Pressure Boosting
• Agriculture	• Cooling Circuits
• Washing / Sprinkling Systems	• Condensate Return

Materials of Construction	
Volute	AISI 304 Stainless Steel with Cast Iron ANSI flanges
Impeller	AISI 304 Stainless Steel
Shaft	ANSI 431 Stainless Steel
Elastomers	EPDM
Manifold	AISI 304 Stainless Steel
Suction Isolation Valves	150# Cast Iron Wafer Butterfly, All Stainless Steel Wetted Components
Discharge Isolation Valve	150# Cast Iron Wafer Butterfly, All Stainless Steel Wetted Components or 300# 304SS Ball Valve
Check Valve	Wafer Style, 316 Stainless Steel internals, non-slam, plunger type with EPDM seal/ cast iron body
Mechanical Seal	Frame and Springs 304SS
Pressure Transducers	¼" MNPT, 316 Stainless Steel
Pressure Gauges	¼" MNPT, 304 Stainless Steel Housing with 316 Stainless Steel wetted parts
System Base	Epoxy Coated A-500 Steel Tubing and A36 C-Channel/Plates

Technical Data - Operational Ranges	
Liquid Temp Range	5°F to 248°F (Min. 32 °F for Domestic Water)
Ambient Temp Range	+32°F to +104 °F

Technical Data - Panel	
Liquid Temp Range	208-230/460-3 or 575-3
Enclosure	NEMA 3R up to 20 HP NEMA 12 for 25 HP and above (NEMA 4 and 4X available upon request)
Standard	Meets UL 508A
Variable Frequency Drives	Danfoss FC-101: • 1 HP to 3 HP 208-230V-1 IN / 208-230V-3 OUT • 1 HP to 60 HP 208-230V-3 • 1 HP to 100 HP 460V-3 • 1 HP to 100 HP 575V-3

Technical Data - PLC	
User Interface	7" Diagonal Color LCD Touchscreen
Display Resolution	800 x 480 Pixels
Supply Voltage	24VDC
Max. Current Consumption	320mA@24V
Number of Analog Inputs	4
Number of Analog Outputs	4
Number of Digital Inputs	18
Number of Digital Outputs	17
Onboard Communications	Modbus Protocol (Optional Gateways for BACnet, LonWorks, and CANbus)
Ethernet Port	RJ45 port capable of transmitting data 10/100Mbps
Additional Ports	2.0 USB Port; Micro-SD Port

Motor Data	
Power Supply	208-230, 460, 575-3
Motor Enclosure	Totally Enclosed Fan Cooled (TEFC)
Motor Efficiency	Nema Premium Efficiency - Meets NEMA 12-12 Rule
Enclosure Construction	Rolled Steel / Cast Iron
Motor Protection Index	IP54
Insulation Class	F

Approval Stamp

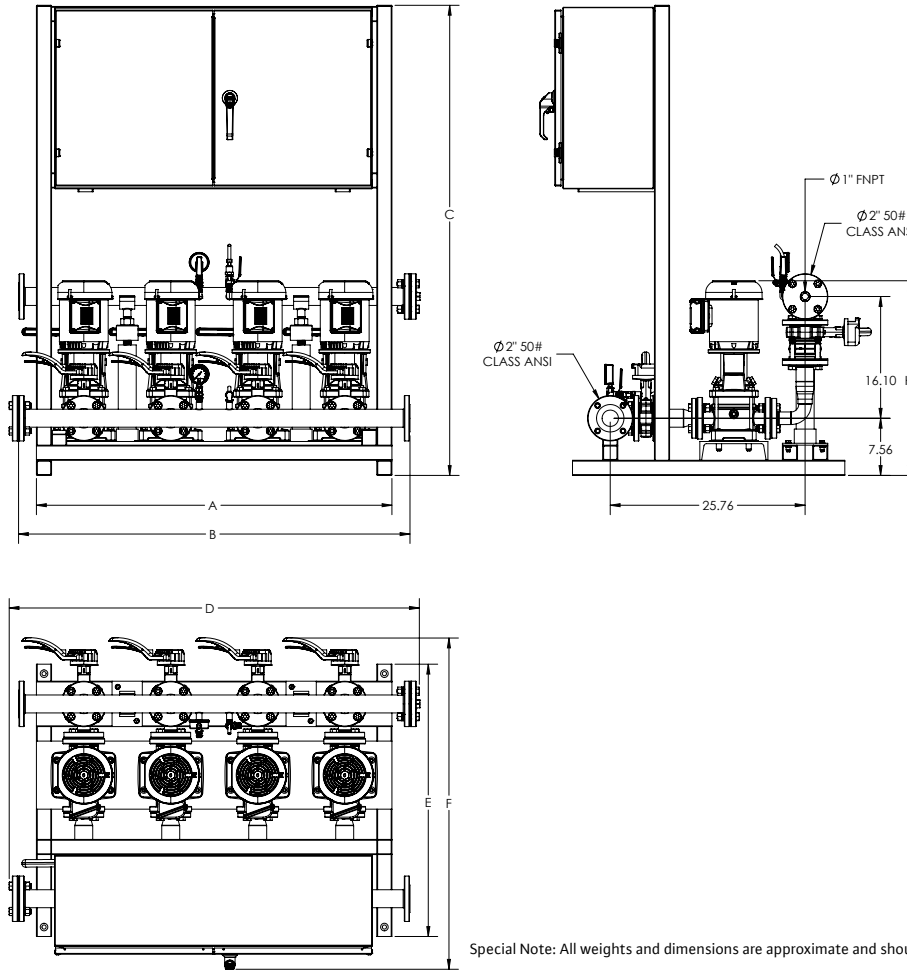
Submittal Data Sheet

Wilo-CO MVI - NSF 61/372 Pressure Boosting System



CO4 MVI-5

150# Discharge



Special Note: All weights and dimensions are approximate and should not be used as exact rough-in dimensions

CO4 MVI-5

Model	Article	HP	Voltage	Phase	System Header Size (ANSI)	Pmax (PSI)	Dimensions - Inches (in)								TEFC Motor Data (Per Motor)	
							A (in)	B (in)	C (in)	D (in)	E (in)	F (in)	H (in)	System Weight (Lbs)	Motor FLA (per pump)	System FLA
CO4 MVI-5-2	3353106	0.33	208V-230V	~1 IN / ~3 OUT	2" 150#	363	47	51.75	62.16	54.3	36	43.73	25.74	744.51	1.33-1.2	12.2
CO4 MVI-5-3	3353107	0.33	208V-230V	~1 IN / ~3 OUT	2" 150#	363	47	51.75	62.16	54.3	36	43.73	25.74	744.51	1.33-1.2	12.2
CO4 MVI-5-4	3353108	0.5	208V-230V	~1 IN / ~3 OUT	2" 150#	363	47	51.75	62.16	54.3	36	43.73	26.85	755.71	1.86-1.69	12.2
CO4 MVI-5-5	3353109	0.5	208V-230V	~1 IN / ~3 OUT	2" 150#	363	47	51.75	62.16	54.3	36	43.73	27.55	755.71	1.86-1.69	12.2
CO4 MVI-5-6	3353110	0.75	208V-230V	~1 IN / ~3 OUT	2" 150#	363	47	51.75	62.16	54.3	36	43.73	28.26	763.71	2.5-2.26	23.4
CO4 MVI-5-7	3353111	0.75	208V-230V	~1 IN / ~3 OUT	2" 150#	363	47	51.75	62.16	54.3	36	43.73	28.93	767.71	2.5-2.26	23.4
CO4 MVI-5-8	3353112	1	208V-230V	~1 IN / ~3 OUT	2" 150#	363	47	51.75	62.16	54.3	36	43.73	29.24	773.71	3.32-3	23.4
CO4 MVI-5-9	3353113	1	208V-230V	~1 IN / ~3 OUT	2" 150#	363	47	51.75	62.16	54.3	36	43.73	29.95	773.71	3.32-3	23.4
CO4 MVI-5-10	3353114	1	208V-230V	~1 IN / ~3 OUT	2" 150#	363	47	51.75	62.16	54.3	36	43.73	30.66	777.71	3.32-3	23.4
CO4 MVI-5-11	3353115	1.5	208V-230V	~1 IN / ~3 OUT	2" 150#	363	47	51.75	62.16	54.3	36	43.73	33.34	830.51	4.13-3.74	61.8
CO4 MVI-5-12	3353116	1.5	208V-230V	~1 IN / ~3 OUT	2" 150#	363	47	51.75	62.16	54.3	36	43.73	34.05	834.51	4.13-3.74	61.8
CO4 MVI-5-13	3353117	1.5	208V-230V	~1 IN / ~3 OUT	2" 150#	363	47	51.75	62.16	54.3	36	43.73	34.75	838.51	4.13-3.74	61.8
CO4 MVI-5-15	3353118	2	208V-230V	~1 IN / ~3 OUT	2" 150#	363	47	51.75	62.16	54.3	36	43.73	37	866.51	5.46-4.94	61.8
CO4 MVI-5-17	3353119	2	208V-230V	~1 IN / ~3 OUT	2" 150#	363	47	51.75	62.16	54.3	36	43.73	38.42	874.51	5.46-4.94	61.8
CO4 MVI-5-2	3353485	0.33	208V-230V	~3	2" 150#	363	47	51.75	62.16	54.3	36	39.9	25.74	640.99	1.33-1.2	12.2
CO4 MVI-5-3	3353486	0.33	208V-230V	~3	2" 150#	363	47	51.75	62.16	54.3	36	39.9	25.74	640.99	1.33-1.2	12.2
CO4 MVI-5-4	3353487	0.5	208V-230V	~3	2" 150#	363	47	51.75	62.16	54.3	36	39.9	26.85	652.19	1.86-1.69	12.2

Submittal Data Sheet

Wilo-CO MVI - NSF 61/372 Pressure Boosting System



CO4 MVI-5 150# Discharge															TEFC Motor Data (Per Motor)	
															Motor FLA (per pump)	System FLA
															Dimensions - Inches (in)	
Model	Article	HP	Voltage	Phase	System Header Size (ANSI)	Pmax (PSI)	A (in)	B (in)	C (in)	D (in)	E (in)	F (in)	H (in)	System Weight (Lbs)	(A)	
CO4 MVI-5-5	3353488	0.5	208V-230V	~3	2" 150#	363	47	51.75	62.16	54.3	36	39.9	27.55	652.19	1.86-1.69	12.2
CO4 MVI-5-6	3353489	0.75	208V-230V	~3	2" 150#	363	47	51.75	62.16	54.3	36	39.9	28.26	660.19	2.5-2.26	12.2
CO4 MVI-5-7	3353490	0.75	208V-230V	~3	2" 150#	363	47	51.75	62.16	54.3	36	39.9	28.93	664.19	2.5-2.26	12.2
CO4 MVI-5-8	3353491	1	208V-230V	~3	2" 150#	363	47	51.75	62.16	54.3	36	39.9	29.24	670.19	3.32-3	12.2
CO4 MVI-5-9	3353492	1	208V-230V	~3	2" 150#	363	47	51.75	62.16	54.3	36	39.9	29.95	670.19	3.32-3	12.2
CO4 MVI-5-10	3353493	1	208V-230V	~3	2" 150#	363	47	51.75	62.16	54.3	36	39.9	30.66	674.19	3.32-3	12.2
CO4 MVI-5-11	3353494	1.5	208V-230V	~3	2" 150#	363	47	51.75	62.16	54.3	36	39.9	33.34	726.99	4.13-3.74	28.2
CO4 MVI-5-12	3353495	1.5	208V-230V	~3	2" 150#	363	47	51.75	62.16	54.3	36	39.9	34.05	730.99	4.13-3.74	28.2
CO4 MVI-5-13	3353496	1.5	208V-230V	~3	2" 150#	363	47	51.75	62.16	54.3	36	39.9	34.75	734.99	4.13-3.74	28.2
CO4 MVI-5-15	3353497	2	208V-230V	~3	2" 150#	363	47	51.75	62.16	54.3	36	39.9	37	762.99	5.46-4.94	28.2
CO4 MVI-5-17	3353498	2	208V-230V	~3	2" 150#	363	47	51.75	62.16	54.3	36	39.9	38.42	770.99	5.46-4.94	28.2
CO4 MVI-5-2	3353974	0.33	460V	~3	2" 150#	363	47	51.75	62.16	54.3	36	39.9	25.74	640.99	0.602	8.2
CO4 MVI-5-3	3353975	0.33	460V	~3	2" 150#	363	47	51.75	62.16	54.3	36	39.9	25.74	640.99	0.602	8.2
CO4 MVI-5-4	3353976	0.5	460V	~3	2" 150#	363	47	51.75	62.16	54.3	36	39.9	26.85	652.19	0.843	8.2
CO4 MVI-5-5	3353977	0.5	460V	~3	2" 150#	363	47	51.75	62.16	54.3	36	39.9	27.55	652.19	0.843	8.2
CO4 MVI-5-6	3353978	0.75	460V	~3	2" 150#	363	47	51.75	62.16	54.3	36	39.9	28.26	660.19	1.13	8.2
CO4 MVI-5-7	3353979	0.75	460V	~3	2" 150#	363	47	51.75	62.16	54.3	36	39.9	28.93	664.19	1.13	8.2
CO4 MVI-5-8	3353980	1	460V	~3	2" 150#	363	47	51.75	62.16	54.3	36	39.9	29.24	670.19	1.5	8.2
CO4 MVI-5-9	3353981	1	460V	~3	2" 150#	363	47	51.75	62.16	54.3	36	39.9	29.95	670.19	1.5	8.2
CO4 MVI-5-10	3353982	1	460V	~3	2" 150#	363	47	51.75	62.16	54.3	36	39.9	30.66	674.19	1.5	8.2
CO4 MVI-5-11	3353983	1.5	460V	~3	2" 150#	363	47	51.75	62.16	54.3	36	39.9	33.34	726.99	1.87	14.6
CO4 MVI-5-12	3353984	1.5	460V	~3	2" 150#	363	47	51.75	62.16	54.3	36	39.9	34.05	730.99	1.87	14.6
CO4 MVI-5-13	3353985	1.5	460V	~3	2" 150#	363	47	51.75	62.16	54.3	36	39.9	34.75	734.99	1.87	14.6
CO4 MVI-5-15	3353986	2	460V	~3	2" 150#	363	47	51.75	62.16	54.3	36	39.9	37	762.99	2.47	14.6
CO4 MVI-5-17	3353987	2	460V	~3	2" 150#	363	47	51.75	62.16	54.3	36	39.9	38.42	770.99	2.47	14.6
CO4 MVI-5-2	3354463	0.33	575V	~3	2" 150#	363	47	51.75	62.16	54.3	36	41.71	25.74	644.23	0.482	15
CO4 MVI-5-3	3354464	0.33	575V	~3	2" 150#	363	47	51.75	62.16	54.3	36	41.71	25.74	644.23	0.482	15
CO4 MVI-5-4	3354465	0.5	575V	~3	2" 150#	363	47	51.75	62.16	54.3	36	41.71	26.85	578.23	0.674	15
CO4 MVI-5-5	3354466	0.5	575V	~3	2" 150#	363	47	51.75	62.16	54.3	36	41.71	27.55	578.23	0.674	15
CO4 MVI-5-6	3354467	0.75	575V	~3	2" 150#	363	47	51.75	62.16	54.3	36	41.71	28.26	663.43	0.904	15
CO4 MVI-5-7	3354468	0.75	575V	~3	2" 150#	363	47	51.75	62.16	54.3	36	41.71	28.93	667.43	0.904	15
CO4 MVI-5-8	3354469	1	575V	~3	2" 150#	363	47	51.75	62.16	54.3	36	41.71	29.24	673.43	1.2	15
CO4 MVI-5-9	3354470	1	575V	~3	2" 150#	363	47	51.75	62.16	54.3	36	41.71	29.95	673.43	1.2	15
CO4 MVI-5-10	3354471	1	575V	~3	2" 150#	363	47	51.75	62.16	54.3	36	41.71	30.66	677.43	1.2	15
CO4 MVI-5-11	3354472	1.5	575V	~3	2" 150#	363	47	51.75	62.16	54.3	36	41.71	33.34	730.23	1.5	15
CO4 MVI-5-12	3354473	1.5	575V	~3	2" 150#	363	47	51.75	62.16	54.3	36	41.71	34.05	734.23	1.5	15
CO4 MVI-5-13	3354474	1.5	575V	~3	2" 150#	363	47	51.75	62.16	54.3	36	41.71	34.75	738.23	1.5	15
CO4 MVI-5-15	3354475	2	575V	~3	2" 150#	363	47	51.75	62.16	54.3	36	41.71	37	766.23	1.98	15
CO4 MVI-5-17	3354476	2	575V	~3	2" 150#	363	47	51.75	62.16	54.3	36	41.71	38.42	774.23	1.98	15

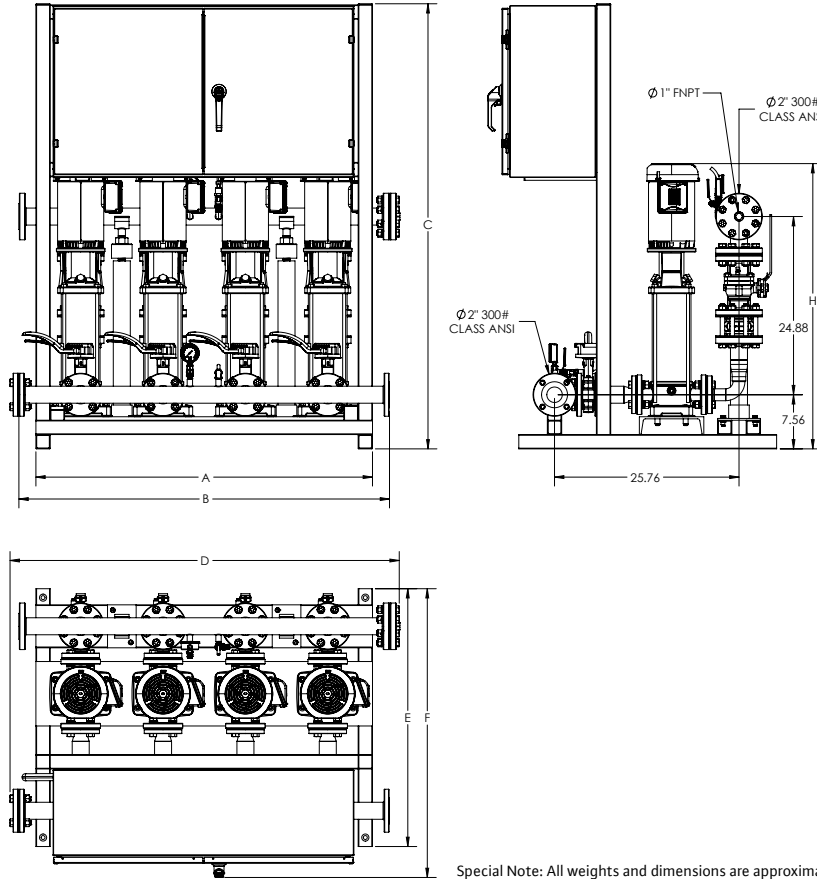
Submittal Data Sheet

Wilo-CO MVI - NSF 61/372 Pressure Boosting System



CO4 MVI-5

300# Discharge



Special Note: All weights and dimensions are approximate and should not be used as exact rough-in dimensions

CO4 MVI-5

TEFC Motor Data (Per Motor)

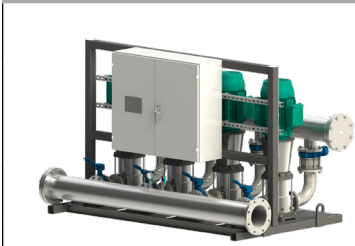
Model	Article	HP	Voltage	Phase	System Header Size (ANSI)	Pmax (PSI)	Dimensions - Inches (in)							System Weight (Lbs)	TEFC Motor Data (Per Motor)	
							A (in)	B (in)	C (in)	D (in)	E (in)	F (in)	H (in)		Motor FLA (per pump)	System FLA
CO4 MVI-5-19	3353120	2	208V-230V	~1 IN / ~3 OUT	2" 300#	363	47	51.75	62.16	54.42	36	40.23	39.84	983.45	5.46-4.94	61.8
CO4 MVI-5-21	3353121	3	208V-230V	~1 IN / ~3 OUT	2" 300#	363	60	64.75	62.16	67.42	38	42.23	43.79	1227.11	8.12-7.34	61.8
CO4 MVI-5-23	3353122	3	208V-230V	~1 IN / ~3 OUT	2" 300#	363	60	64.75	62.16	67.42	38	42.23	45.21	1235.11	8.12-7.34	61.8
CO4 MVI-5-25	3353123	3	208V-230V	~1 IN / ~3 OUT	2" 300#	363	60	64.75	62.16	67.42	38	42.23	46.62	1239.11	8.12-7.34	61.8
CO4 MVI-5-27	3353124	3	208V-230V	~1 IN / ~3 OUT	2" 300#	363	60	64.75	62.16	67.42	38	42.23	48.04	1247.11	8.12-7.34	61.8
CO4 MVI-5-19	3353499	2	208V-230V	~3	2" 300#	363	47	51.75	62.16	54.42	36	36.4	39.84	879.94	5.46-4.94	28.2
CO4 MVI-5-21	3353500	3	208V-230V	~3	2" 300#	363	60	64.75	62.16	67.42	38	38.4	43.79	1123.59	8.12-7.34	39.4
CO4 MVI-5-23	3353501	3	208V-230V	~3	2" 300#	363	60	64.75	62.16	67.42	38	38.4	45.21	1131.59	8.12-7.34	39.4
CO4 MVI-5-25	3353502	3	208V-230V	~3	2" 300#	363	60	64.75	62.16	67.42	38	38.4	46.62	1135.59	8.12-7.34	39.4
CO4 MVI-5-27	3353503	3	208V-230V	~3	2" 300#	363	60	64.75	62.16	67.42	38	38.4	48.04	1143.59	8.12-7.34	39.4
CO4 MVI-5-19	3353988	2	460V	~3	2" 300#	363	47	51.75	62.16	54.42	36	36.4	39.84	879.94	2.47	14.6
CO4 MVI-5-21	3353989	3	460V	~3	2" 300#	363	60	64.75	62.16	67.42	38	38.4	43.79	1123.59	3.67	20.2
CO4 MVI-5-23	3353990	3	460V	~3	2" 300#	363	60	64.75	62.16	67.42	38	38.4	45.21	1131.59	3.67	20.2
CO4 MVI-5-25	3353991	3	460V	~3	2" 300#	363	60	64.75	62.16	67.42	38	38.4	46.62	1135.59	3.67	20.2
CO4 MVI-5-27	3353992	3	460V	~3	2" 300#	363	60	64.75	62.16	67.42	38	38.4	48.04	1143.59	3.67	20.2
CO4 MVI-5-19	3354477	2	575V	~3	2" 300#	363	47	51.75	62.16	54.42	36	38.22	39.84	883.18	1.98	15
CO4 MVI-5-21	3354478	3	575V	~3	2" 300#	363	60	64.75	62.16	67.42	38	40.22	43.79	1127.64	2.9	15
CO4 MVI-5-23	3354479	3	575V	~3	2" 300#	363	60	64.75	62.16	67.42	38	40.22	45.21	1135.64	2.9	15
CO4 MVI-5-25	3354480	3	575V	~3	2" 300#	363	60	64.75	62.16	67.42	38	40.22	46.62	1139.64	2.9	15
CO4 MVI-5-27	3354481	3	575V	~3	2" 300#	363	60	64.75	62.16	67.42	38	40.22	48.04	1147.64	2.9	15

Submittal Data Sheet

Wilo-CO MVI - NSF 61/372 Pressure Boosting System

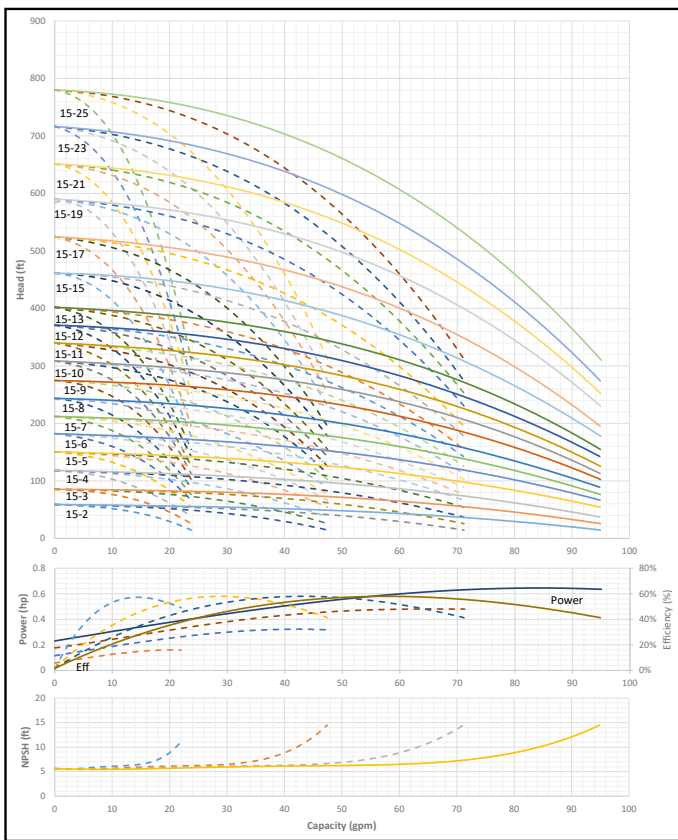


CO4 MVI-15



Project:	
Engineer:	
Contractor:	
Submitted By:	Date:
Approved By:	Date:

Tag #	Model #	Flow	BOOST PSI	Min. Inlet PSI	HP/Pump	Phase	Voltage	RPM
	CO4 MVI-15				1			3600



Applications

- Water Supply
- Agriculture
- Washing / Sprinkling Systems
- Pressure Boosting
- Cooling Circuits
- Condensate Return

Materials of Construction

Volute	AISI 304 Stainless Steel with Cast Iron ANSI flanges
Impeller	AISI 304 Stainless Steel
Shaft	ANSI 431 Stainless Steel
Elastomers	EPDM
Manifold	AISI 304 Stainless Steel
Suction Isolation Valves	150# Cast Iron Wafer Butterfly, All Stainless Steel Wetted Components
Discharge Isolation Valve	150# Cast Iron Wafer Butterfly, All Stainless Steel Wetted Components or 300# 304SS Ball Valve
Check Valve	Wafer Style, 316 Stainless Steel internals, non-slam, plunger type with EPDM seal/ cast iron body
Mechanical Seal	Frame and Springs 304SS
Pressure Transducers	¼" MNPT, 316 Stainless Steel
Pressure Gauges	¼" MNPT, 304 Stainless Steel Housing with 316 Stainless Steel wetted parts
System Base	Epoxy Coated A-500 Steel Tubing and A36 C-Channel/Plates

Technical Data - Operational Ranges

Liquid Temp Range	5°F to 248°F (Min. 32 °F for Domestic Water)
Ambient Temp Range	+32°F to +104 °F

Technical Data - Panel

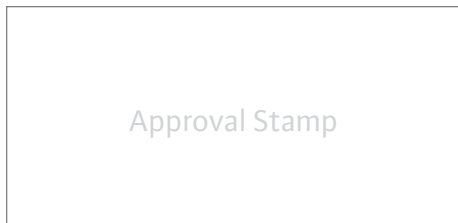
Liquid Temp Range	208-230/460~3 or 575~3
Enclosure	NEMA 3R up to 20 HP NEMA 12 for 25 HP and above (NEMA 4 and 4X available upon request)
Standard	Meets UL 508A
Variable Frequency Drives	Danfoss FC-101: • 1 HP to 3 HP 208-230V~1 IN / 208-230V~3 OUT • 1 HP to 60 HP 208-230V~3 • 1 HP to 100 HP 460V~3 • 1 HP to 100 HP 575V~3

Technical Data - PLC

User Interface	7" Diagonal Color LCD Touchscreen
Display Resolution	800 x 480 Pixels
Supply Voltage	24VDC
Max. Current Consumption	320mA@24V
Number of Analog Inputs	4
Number of Analog Outputs	4
Number of Digital Inputs	18
Number of Digital Outputs	17
Onboard Communications	Modbus Protocol (Optional Gateways for BACnet, LonWorks, and CANbus)
Ethernet Port	RJ45 port capable of transmitting data 10/100Mbps
Additional Ports	2.0 USB Port; Micro-SD Port

Motor Data

Power Supply	208-230, 460, 575~3
Motor Enclosure	Totally Enclosed Fan Cooled (TEFC)
Motor Efficiency	Nema Premium Efficiency - Meets NEMA 12-12 Rule
Enclosure Construction	Rolled Steel / Cast Iron
Motor Protection Index	IP54
Insulation Class	F



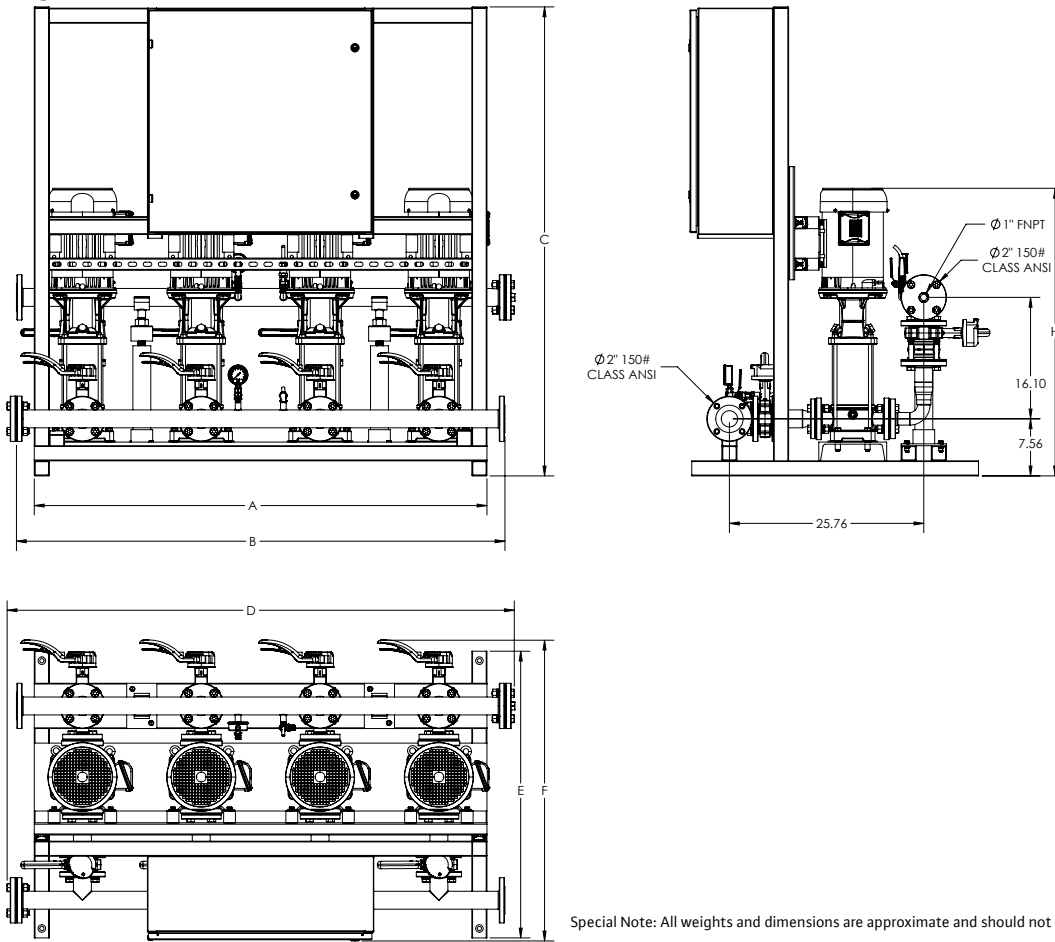
Submittal Data Sheet

Wilo-CO MVI - NSF 61/372 Pressure Boosting System



CO4 MVI-15

150# Discharge



Special Note: All weights and dimensions are approximate and should not be used as exact rough-in dimensions

CO4 MVI-15

Model	Article	HP	Voltage	Phase	System Header Size (ANSI)	Pmax (PSI)	Dimensions - Inches (in)								TEFC Motor Data (Per Motor)	
							A (in)	B (in)	C (in)	D (in)	E (in)	F (in)	H (in)	System Weight (Lbs)	Motor FLA (per pump)	System FLA
CO4 MVI-15-2	3353125	0.33	208V-230V	~1 IN / ~3 OUT	2" 150#	363	47	51.75	62.16	54.3	36	43.73	25.74	744.51	1.33-1.2	12.2
CO4 MVI-15-3	3353126	0.5	208V-230V	~1 IN / ~3 OUT	2" 150#	363	47	51.75	62.16	54.3	36	43.73	26.14	751.71	1.86-1.69	12.2
CO4 MVI-15-4	3353127	0.75	208V-230V	~1 IN / ~3 OUT	2" 150#	363	47	51.75	62.16	54.3	36	43.73	26.85	759.71	2.5-2.26	23.4
CO4 MVI-15-5	3353128	0.75	208V-230V	~1 IN / ~3 OUT	2" 150#	363	47	51.75	62.16	54.3	36	43.73	26.8	759.71	2.5-2.26	23.4
CO4 MVI-15-6	3353129	1	208V-230V	~1 IN / ~3 OUT	2" 150#	363	47	51.75	62.16	54.3	36	43.73	27.82	765.71	3.32-3	23.4
CO4 MVI-15-7	3353130	1.5	208V-230V	~1 IN / ~3 OUT	2" 150#	363	47	51.75	62.16	54.3	36	43.73	30.5	818.51	4.13-3.74	61.8
CO4 MVI-15-8	3353131	1.5	208V-230V	~1 IN / ~3 OUT	2" 150#	363	47	51.75	62.16	54.3	36	43.73	31.21	822.51	4.13-3.74	61.8
CO4 MVI-15-9	3353132	1.5	208V-230V	~1 IN / ~3 OUT	2" 150#	363	47	51.75	62.16	54.3	36	43.73	31.96	822.51	4.13-3.74	61.8
CO4 MVI-15-10	3353133	2	208V-230V	~1 IN / ~3 OUT	2" 150#	363	47	51.75	62.16	54.3	36	43.73	33.46	850.51	5.46-4.94	61.8
CO4 MVI-15-11	3353134	2	208V-230V	~1 IN / ~3 OUT	2" 150#	363	47	51.75	62.16	54.3	36	43.73	34.17	854.51	5.46-4.94	61.8
CO4 MVI-15-12	3353135	2	208V-230V	~1 IN / ~3 OUT	2" 150#	363	47	51.75	62.16	54.3	36	43.73	34.88	858.51	5.46-4.94	61.8
CO4 MVI-15-13	3353136	3	208V-230V	~1 IN / ~3 OUT	2" 150#	363	60	64.75	62.16	67.3	38	43.73	38.12	1097.44	8.12-7.34	61.8
CO4 MVI-15-15	3353137	3	208V-230V	~1 IN / ~3 OUT	2" 150#	363	60	64.75	62.16	67.3	38	43.73	39.54	1101.44	8.12-7.34	61.8
CO4 MVI-15-17	3353138	3	208V-230V	~1 IN / ~3 OUT	2" 150#	363	60	64.75	62.16	67.3	38	43.73	40.95	1109.44	8.12-7.34	61.8
CO4 MVI-15-2	3353504	0.33	208V-230V	~3	2" 150#	363	47	51.75	62.16	54.3	36	39.9	25.74	640.99	1.33-1.2	12.2
CO4 MVI-15-3	3353505	0.5	208V-230V	~3	2" 150#	363	47	51.75	62.16	54.3	36	39.9	26.14	648.19	1.86-1.69	12.2
CO4 MVI-15-4	3353506	0.75	208V-230V	~3	2" 150#	363	47	51.75	62.16	54.3	36	39.9	26.85	656.19	2.5-2.26	12.2

Submittal Data Sheet

Wilco-CO MVI - NSF 61/372 Pressure Boosting System



CO4 MVI-15 150# Discharge															TEFC Motor Data (Per Motor)	
															Motor FLA (per pump)	System FLA
															Dimensions - Inches (in)	
Model	Article	HP	Voltage	Phase	System Header Size (ANSI)	Pmax (PSI)	A (in)	B (in)	C (in)	D (in)	E (in)	F (in)	H (in)	System Weight (Lbs)	(A)	
CO4 MVI-15-5	3353507	0.75	208V-230V	~3	2" 150#	363	47	51.75	62.16	54.3	36	39.9	26.8	656.19	2.5-2.26	12.2
CO4 MVI-15-6	3353508	1	208V-230V	~3	2" 150#	363	47	51.75	62.16	54.3	36	39.9	27.82	662.19	3.32-3	12.2
CO4 MVI-15-7	3353509	1.5	208V-230V	~3	2" 150#	363	47	51.75	62.16	54.3	36	39.9	30.5	714.99	4.13-3.74	28.2
CO4 MVI-15-8	3353510	1.5	208V-230V	~3	2" 150#	363	47	51.75	62.16	54.3	36	39.9	31.21	718.99	4.13-3.74	28.2
CO4 MVI-15-9	3353511	1.5	208V-230V	~3	2" 150#	363	47	51.75	62.16	54.3	36	39.9	31.96	718.99	4.13-3.74	28.2
CO4 MVI-15-10	3353512	2	208V-230V	~3	2" 150#	363	47	51.75	62.16	54.3	36	39.9	33.46	746.99	5.46-4.94	28.2
CO4 MVI-15-11	3353513	2	208V-230V	~3	2" 150#	363	47	51.75	62.16	54.3	36	39.9	34.17	750.99	5.46-4.94	28.2
CO4 MVI-15-12	3353514	2	208V-230V	~3	2" 150#	363	47	51.75	62.16	54.3	36	39.9	34.88	754.99	5.46-4.94	28.2
CO4 MVI-15-13	3353515	3	208V-230V	~3	2" 150#	363	60	64.75	62.16	67.3	38	39.9	38.12	994.68	8.12-7.34	39.4
CO4 MVI-15-15	3353516	3	208V-230V	~3	2" 150#	363	60	64.75	62.16	67.3	38	39.9	39.54	998.68	8.12-7.34	39.4
CO4 MVI-15-17	3353517	3	208V-230V	~3	2" 150#	363	60	64.75	62.16	67.3	38	39.9	40.95	1006.68	8.12-7.34	39.4
CO4 MVI-15-2	3353993	0.33	460V	~3	2" 150#	363	47	51.75	62.16	54.3	36	39.9	25.74	640.99	0.602	8.2
CO4 MVI-15-3	3353994	0.5	460V	~3	2" 150#	363	47	51.75	62.16	54.3	36	39.9	26.14	648.19	0.843	8.2
CO4 MVI-15-4	3353995	0.75	460V	~3	2" 150#	363	47	51.75	62.16	54.3	36	39.9	26.85	656.19	1.13	8.2
CO4 MVI-15-5	3353996	0.75	460V	~3	2" 150#	363	47	51.75	62.16	54.3	36	39.9	26.8	656.19	1.13	8.2
CO4 MVI-15-6	3353997	1	460V	~3	2" 150#	363	47	51.75	62.16	54.3	36	39.9	27.82	662.19	1.5	8.2
CO4 MVI-15-7	3353998	1.5	460V	~3	2" 150#	363	47	51.75	62.16	54.3	36	39.9	30.5	714.99	1.87	14.6
CO4 MVI-15-8	3353999	1.5	460V	~3	2" 150#	363	47	51.75	62.16	54.3	36	39.9	31.21	718.99	1.87	14.6
CO4 MVI-15-9	3354000	1.5	460V	~3	2" 150#	363	47	51.75	62.16	54.3	36	39.9	31.96	718.99	1.87	14.6
CO4 MVI-15-10	3354001	2	460V	~3	2" 150#	363	47	51.75	62.16	54.3	36	39.9	33.46	746.99	2.47	14.6
CO4 MVI-15-11	3354002	2	460V	~3	2" 150#	363	47	51.75	62.16	54.3	36	39.9	34.17	750.99	2.47	14.6
CO4 MVI-15-12	3354003	2	460V	~3	2" 150#	363	47	51.75	62.16	54.3	36	39.9	34.88	754.99	2.47	14.6
CO4 MVI-15-13	3354004	3	460V	~3	2" 150#	363	60	64.75	62.16	67.3	38	39.9	38.12	994.68	3.67	20.2
CO4 MVI-15-15	3354005	3	460V	~3	2" 150#	363	60	64.75	62.16	67.3	38	39.9	39.54	998.68	3.67	20.2
CO4 MVI-15-17	3354006	3	460V	~3	2" 150#	363	60	64.75	62.16	67.3	38	39.9	40.95	1006.68	3.67	20.2
CO4 MVI-15-2	3354482	0.33	575V	~3	2" 150#	363	47	51.75	62.16	54.3	36	41.71	25.74	644.23	0.482	15
CO4 MVI-15-3	3354483	0.5	575V	~3	2" 150#	363	47	51.75	62.16	54.3	36	41.71	26.14	644.23	0.674	15
CO4 MVI-15-4	3354484	0.75	575V	~3	2" 150#	363	47	51.75	62.16	54.3	36	41.71	26.85	659.43	0.904	15
CO4 MVI-15-5	3354485	0.75	575V	~3	2" 150#	363	47	51.75	62.16	54.3	36	41.71	27.52	659.43	0.904	15
CO4 MVI-15-6	3354486	1	575V	~3	2" 150#	363	47	51.75	62.16	54.3	36	41.71	27.82	665.43	1.2	15
CO4 MVI-15-7	3354487	1.5	575V	~3	2" 150#	363	47	51.75	62.16	54.3	36	41.71	30.5	718.23	1.5	15
CO4 MVI-15-8	3354488	1.5	575V	~3	2" 150#	363	47	51.75	62.16	54.3	36	41.71	31.21	722.23	1.5	15
CO4 MVI-15-9	3354489	1.5	575V	~3	2" 150#	363	47	51.75	62.16	54.3	36	41.71	31.96	722.23	1.5	15
CO4 MVI-15-10	3354490	2	575V	~3	2" 150#	363	47	51.75	62.16	54.3	36	41.71	33.46	750.23	1.98	15
CO4 MVI-15-11	3354491	2	575V	~3	2" 150#	363	47	51.75	62.16	54.3	36	41.71	34.17	754.23	1.98	15
CO4 MVI-15-12	3354492	2	575V	~3	2" 150#	363	47	51.75	62.16	54.3	36	41.71	34.88	758.23	1.98	15
CO4 MVI-15-13	3354493	3	575V	~3	2" 150#	363	60	64.75	62.16	67.3	38	41.71	38.12	997.97	2.9	15
CO4 MVI-15-15	3354494	3	575V	~3	2" 150#	363	60	64.75	62.16	67.3	38	41.71	39.54	1001.97	2.9	15
CO4 MVI-15-17	3354495	3	575V	~3	2" 150#	363	60	64.75	62.16	67.3	38	41.71	40.95	1009.97	2.9	15

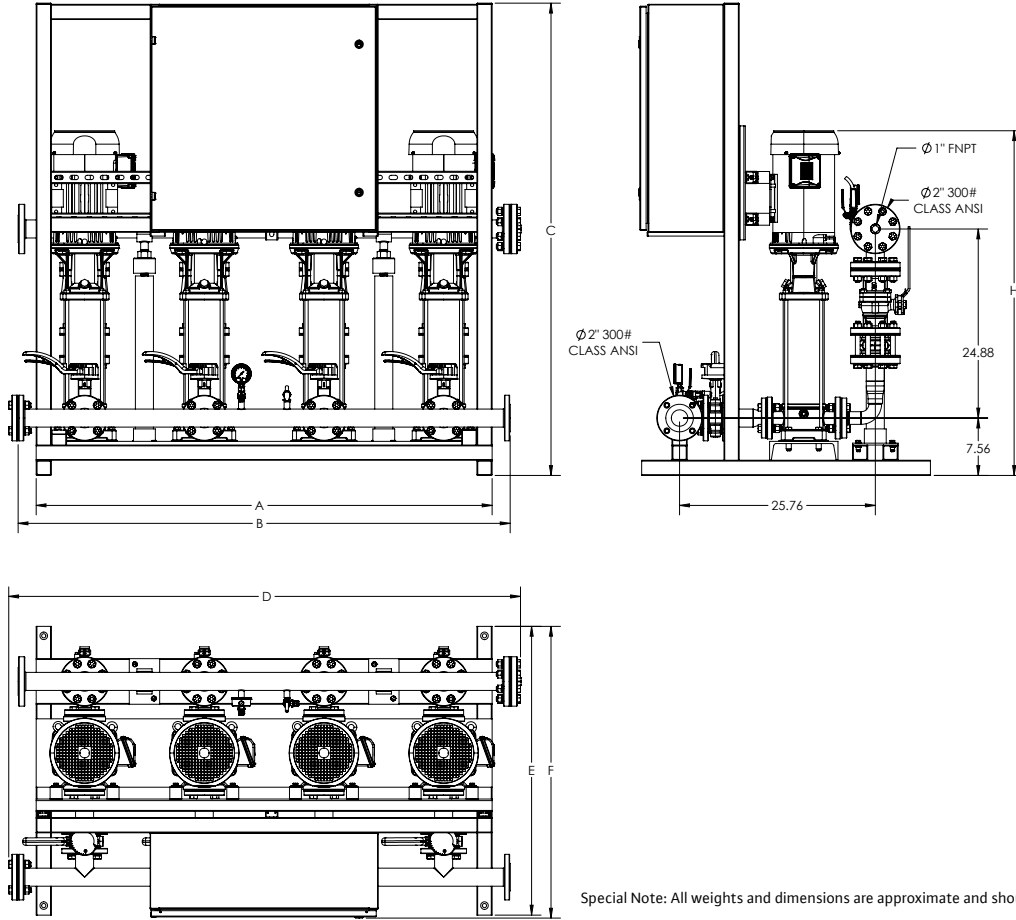
Submittal Data Sheet

Wilo-CO MVI - NSF 61/372 Pressure Boosting System



CO4 MVI-15

300# Discharge



Special Note: All weights and dimensions are approximate and should not be used as exact rough-in dimensions

CO4 MVI-15

Model	Article	HP	Voltage	Phase	System Header Size (ANSI)	Pmax (PSI)	Dimensions - Inches (in)								System Weight (Lbs)	TEFC Motor Data (Per Motor)	
							A (in)	B (in)	C (in)	D (in)	E (in)	F (in)	H (in)	Motor FLA (per pump)		System FLA	
CO4 MVI-15-19	3353139	3	208V-230V	~1 IN/~3 OUT	2" 300#	363	60	64.75	62.16	67.42	38	42.23	42.56	1219.11	8.12-7.34	61.8	
CO4 MVI-15-19	3353518	3	208V-230V	~3	2" 300#	363	60	64.75	62.16	67.42	38	38.4	42.56	1115.62	8.12-7.34	39.4	
CO4 MVI-15-21	3353519	5	208V-230V	~3	2" 300#	363	60	64.75	62.16	67.42	38	38.4	45.37	1184.42	13.1-11.8	61.8	
CO4 MVI-15-23	3353520	5	208V-230V	~3	2" 300#	363	60	64.75	62.16	67.42	38	38.4	46.79	1192.42	13.1-11.8	61.8	
CO4 MVI-15-25	3353521	5	208V-230V	~3	2" 300#	363	60	64.75	62.16	67.42	38	38.4	48.2	1196.42	13.1-11.8	61.8	
CO4 MVI-15-19	3354007	3	460V	~3	2" 300#	363	60	64.75	62.16	67.42	38	38.4	42.56	1115.62	3.67	20.2	
CO4 MVI-15-21	3354008	5	460V	~3	2" 300#	363	60	64.75	62.16	67.42	38	38.4	45.37	1184.42	5.9	33.8	
CO4 MVI-15-23	3354009	5	460V	~3	2" 300#	363	60	64.75	62.16	67.42	38	38.4	46.79	1192.42	5.9	33.8	
CO4 MVI-15-25	3354010	5	460V	~3	2" 300#	363	60	64.75	62.16	67.42	38	38.4	48.2	1196.42	5.9	33.8	
CO4 MVI-15-19	3354496	3	575V	~3	2" 300#	363	60	64.75	62.16	67.42	38	40.22	42.56	1118.91	2.9	15	
CO4 MVI-15-21	3354497	5	575V	~3	2" 300#	363	60	64.75	62.16	67.42	38	40.22	45.37	1187.31	4.72	32.4	
CO4 MVI-15-23	3354498	5	575V	~3	2" 300#	363	60	64.75	62.16	67.42	38	40.22	46.79	1195.31	4.72	32.4	
CO4 MVI-15-25	3354499	5	575V	~3	2" 300#	363	60	64.75	62.16	67.42	38	40.22	48.2	1199.31	4.72	32.4	

Submittal Data Sheet

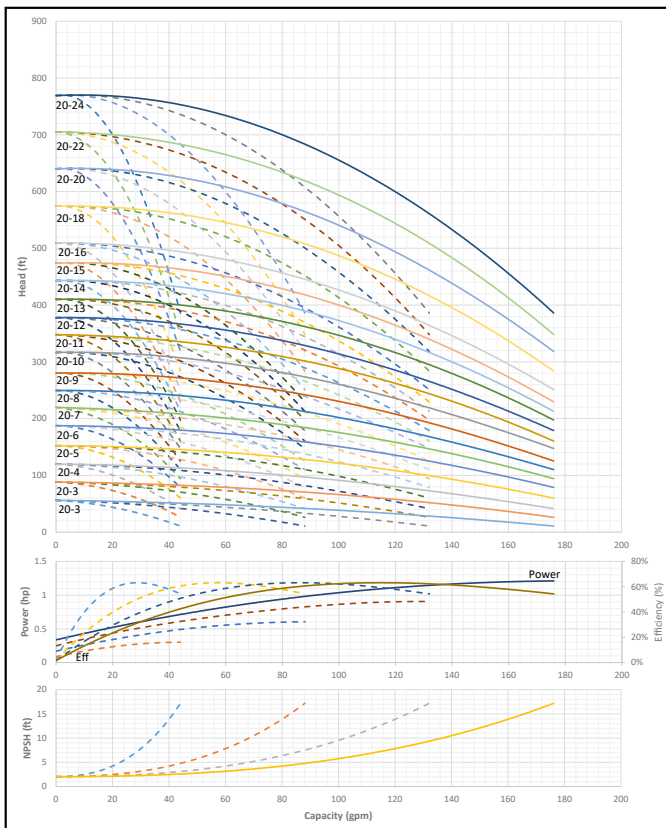
Wilo-CO MVI - NSF 61/372 Pressure Boosting System



CO4 MVI-20

	Project:	
	Engineer:	
	Contractor:	
	Submitted By:	Date:
	Approved By:	Date:

Tag #	Model #	Flow	BOOST PSI	Min. Inlet PSI	HP/Pump	Phase	Voltage	RPM
	CO4 MVI-20				1			3600



Applications

- Water Supply
- Agriculture
- Washing / Sprinkling Systems
- Pressure Boosting
- Cooling Circuits
- Condensate Return

Materials of Construction

Volute	AISI 304 Stainless Steel with Cast Iron ANSI flanges
Impeller	AISI 304 Stainless Steel
Shaft	ANSI 431 Stainless Steel
Elastomers	EPDM
Manifold	AISI 304 Stainless Steel
Suction Isolation Valves	150# Cast Iron Wafer Butterfly, All Stainless Steel Wetted Components
Discharge Isolation Valve	150# Cast Iron Wafer Butterfly, All Stainless Steel Wetted Components or 300# 304SS Ball Valve
Check Valve	Wafer Style, 316 Stainless Steel internals, non-slam, plunger type with EPDM seal/ cast iron body
Mechanical Seal	Frame and Springs 304SS
Pressure Transducers	¼" MNPT, 316 Stainless Steel
Pressure Gauges	¼" MNPT, 304 Stainless Steel Housing with 316 Stainless Steel wetted parts
System Base	Epoxy Coated A-500 Steel Tubing and A36 C-Channel/Plates

Technical Data - Operational Ranges

Liquid Temp Range	5°F to 248°F (Min. 32 °F for Domestic Water)
Ambient Temp Range	+32°F to +104 °F

Technical Data - Panel

Liquid Temp Range	208-230/460-3 or 575-3
Enclosure	NEMA 3R up to 20 HP NEMA 12 for 25 HP and above (NEMA 4 and 4X available upon request)
Standard	Meets UL 508A
Variable Frequency Drives	Danfoss FC-101: • 1 HP to 3 HP 208-230V-1 IN / 208-230V-3 OUT • 1 HP to 60 HP 208-230V-3 • 1 HP to 100 HP 460V-3 • 1 HP to 100 HP 575V-3

Technical Data - PLC

User Interface	7" Diagonal Color LCD Touchscreen
Display Resolution	800 x 480 Pixels
Supply Voltage	24VDC
Max. Current Consumption	320mA@24V
Number of Analog Inputs	4
Number of Analog Outputs	4
Number of Digital Inputs	18
Number of Digital Outputs	17
Onboard Communications	Modbus Protocol (Optional Gateways for BACnet, LonWorks, and CANbus)
Ethernet Port	RJ45 port capable of transmitting data 10/100Mbps
Additional Ports	2.0 USB Port; Micro-SD Port

Motor Data

Power Supply	208-230, 460, 575-3
Motor Enclosure	Totally Enclosed Fan Cooled (TEFC)
Motor Efficiency	Nema Premium Efficiency - Meets NEMA 12-12 Rule
Enclosure Construction	Rolled Steel / Cast Iron
Motor Protection Index	IP54
Insulation Class	F

Approval Stamp

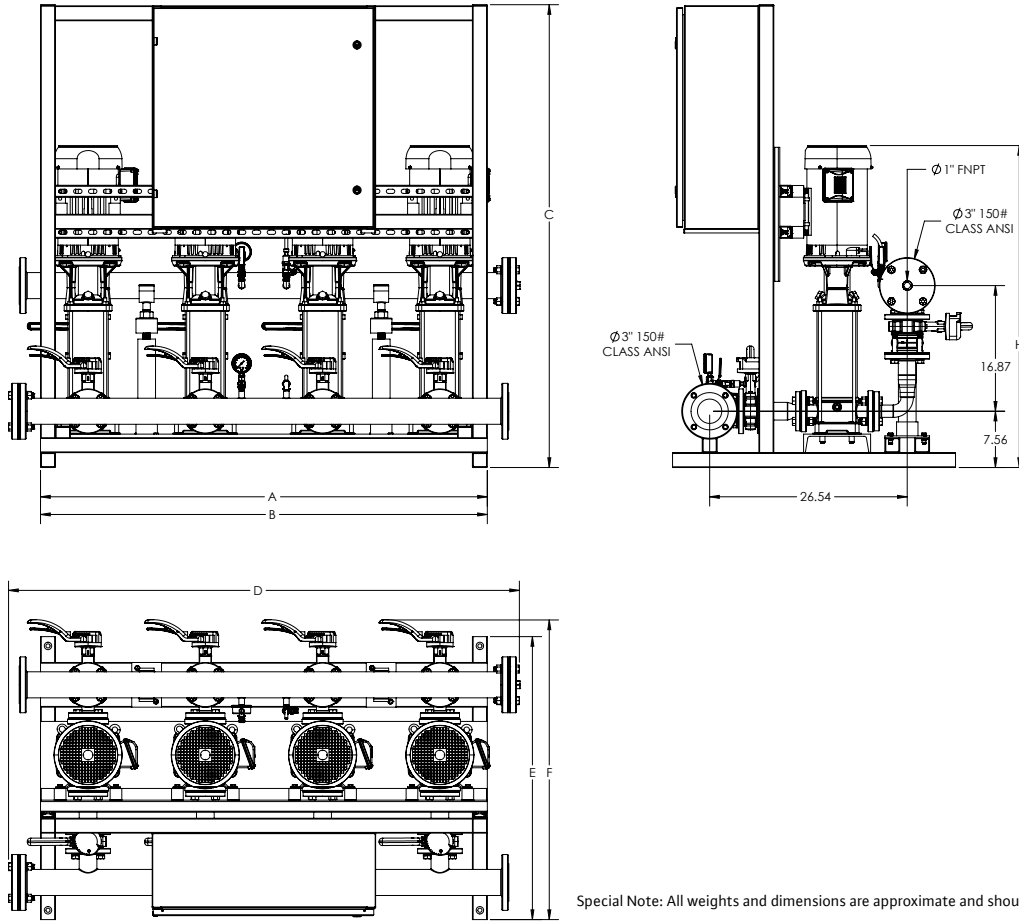
Submittal Data Sheet

Wilo-CO MVI - NSF 61/372 Pressure Boosting System



CO4 MVI-20

150# Discharge



Special Note: All weights and dimensions are approximate and should not be used as exact rough-in dimensions

CO4 MVI-20

Model	Article	HP	Voltage	Phase	System Header Size (ANSI)	Pmax (PSI)	Dimensions - Inches (in)								System Weight (Lbs)	TEFC Motor Data (Per Motor)	
							A (in)	B (in)	C (in)	D (in)	E (in)	F (in)	H (in)	Motor FLA (per pump)		System FLA	
CO4 MVI-20-2	3353140	0.75	208V-230V	~1 IN / ~3 OUT	3" 150#	363	47	51.75	62.16	54.68	37	43.73	26.09	768.24	2.5-2.26	23.4	
CO4 MVI-20-3	3353141	1	208V-230V	~1 IN / ~3 OUT	3" 150#	363	47	51.75	62.16	54.68	37	43.73	26.79	778.24	3.32-3	23.4	
CO4 MVI-20-4	3353142	1.5	208V-230V	~1 IN / ~3 OUT	3" 150#	363	47	51.75	62.16	54.68	37	43.73	29.76	831.04	4.13-3.74	61.8	
CO4 MVI-20-5	3353143	1.5	208V-230V	~1 IN / ~3 OUT	3" 150#	363	47	51.75	62.16	54.68	37	43.73	30.86	835.04	4.13-3.74	61.8	
CO4 MVI-20-6	3353144	2	208V-230V	~1 IN / ~3 OUT	3" 150#	363	47	51.75	62.16	54.68	37	43.73	32.75	863.04	5.46-4.94	61.8	
CO4 MVI-20-7	3353145	2	208V-230V	~1 IN / ~3 OUT	3" 150#	363	47	51.75	62.16	54.68	37	43.73	33.85	867.04	5.46-4.94	61.8	
CO4 MVI-20-8	3353146	3	208V-230V	~1 IN / ~3 OUT	3" 150#	363	60	65.75	62.16	68.68	38	43.73	45.37	1106.74	8.12-7.34	61.8	
CO4 MVI-20-9	3353147	3	208V-230V	~1 IN / ~3 OUT	3" 150#	363	60	65.75	62.16	68.68	38	43.73	38.46	1114.74	8.12-7.34	61.8	
CO4 MVI-20-10	3353148	3	208V-230V	~1 IN / ~3 OUT	3" 150#	363	60	65.75	62.16	68.68	38	43.73	39.56	1118.74	8.12-7.34	61.8	
CO4 MVI-20-2	3353522	0.75	208V-230V	~3	3" 150#	363	47	51.75	62.16	54.68	37	40.27	26.09	664.72	2.5-2.26	12.2	
CO4 MVI-20-3	3353523	1	208V-230V	~3	3" 150#	363	47	51.75	62.16	54.68	37	40.27	26.79	674.72	3.32-3	12.2	
CO4 MVI-20-4	3353524	1.5	208V-230V	~3	3" 150#	363	47	51.75	62.16	54.68	37	40.27	29.76	727.52	4.13-3.74	28.2	
CO4 MVI-20-5	3353525	1.5	208V-230V	~3	3" 150#	363	47	51.75	62.16	54.68	37	40.27	30.86	731.52	4.13-3.74	28.2	
CO4 MVI-20-6	3353526	2	208V-230V	~3	3" 150#	363	47	51.75	62.16	54.68	37	40.27	32.75	759.52	5.46-4.94	28.2	
CO4 MVI-20-7	3353527	2	208V-230V	~3	3" 150#	363	47	51.75	62.16	54.68	37	40.27	33.85	763.52	5.46-4.94	28.2	
CO4 MVI-20-8	3353528	3	208V-230V	~3	3" 150#	363	60	65.75	62.16	68.68	38	39.9	45.37	1003.22	8.12-7.34	39.4	
CO4 MVI-20-9	3353529	3	208V-230V	~3	3" 150#	363	60	65.75	62.16	68.68	38	39.9	38.46	1011.22	8.12-7.34	39.4	

Submittal Data Sheet

Wilco-CO MVI - NSF 61/372 Pressure Boosting System



CO4 MVI-20 150# Discharge															TEFC Motor Data (Per Motor)	
Model	Article	HP	Voltage	Phase	System Header Size (ANSI)	Pmax (PSI)	Dimensions - Inches (in)								Motor FLA (per pump)	System FLA
							A (in)	B (in)	C (in)	D (in)	E (in)	F (in)	H (in)	System Weight (Lbs)	(A)	
CO4 MVI-20-10	3353530	3	208V-230V	~3	3" 150#	363	60	65.75	62.16	68.68	38	39.9	39.56	1015.22	8.12-7.34	39.4
CO4 MVI-20-11	3353531	5	208V-230V	~3	3" 150#	363	60	65.75	62.16	68.68	38	39.9	42.14	1080.02	13.1-11.8	61.8
CO4 MVI-20-12	3353532	5	208V-230V	~3	3" 150#	363	60	65.75	62.16	68.68	38	39.9	43.24	1084.02	13.1-11.8	61.8
CO4 MVI-20-13	3353533	5	208V-230V	~3	3" 150#	363	60	65.75	62.16	68.68	38	39.9	44.34	1088.02	13.1-11.8	61.8
CO4 MVI-20-14	3353534	5	208V-230V	~3	3" 150#	363	60	65.75	62.16	68.68	38	39.9	45.34	1092.02	13.1-11.8	61.8
CO4 MVI-20-15	3353535	5	208V-230V	~3	3" 150#	363	60	65.75	62.16	68.68	38	39.9	46.44	1100.02	13.1-11.8	61.8
CO4 MVI-20-16	3353536	5	208V-230V	~3	3" 150#	363	60	65.75	62.16	68.68	38	39.9	47.54	1104.02	13.1-11.8	61.8
CO4 MVI-20-2	3354011	0.75	460V	~3	3" 150#	363	47	51.75	62.16	54.68	37	40.27	26.09	664.72	1.13	8.2
CO4 MVI-20-3	3354012	1	460V	~3	3" 150#	363	47	51.75	62.16	54.68	37	40.27	26.79	674.72	1.5	8.2
CO4 MVI-20-4	3354013	1.5	460V	~3	3" 150#	363	47	51.75	62.16	54.68	37	40.27	29.76	727.52	1.87	14.6
CO4 MVI-20-5	3354014	1.5	460V	~3	3" 150#	363	47	51.75	62.16	54.68	37	40.27	30.86	731.52	1.87	14.6
CO4 MVI-20-6	3354015	2	460V	~3	3" 150#	363	47	51.75	62.16	54.68	37	40.27	32.75	759.52	2.47	14.6
CO4 MVI-20-7	3354016	2	460V	~3	3" 150#	363	47	51.75	62.16	54.68	37	40.27	33.85	763.52	2.47	14.6
CO4 MVI-20-8	3354017	3	460V	~3	3" 150#	363	60	65.75	62.16	68.68	38	39.9	45.37	1003.22	3.67	20.2
CO4 MVI-20-9	3354018	3	460V	~3	3" 150#	363	60	65.75	62.16	68.68	38	39.9	38.46	1011.22	3.67	20.2
CO4 MVI-20-10	3354019	3	460V	~3	3" 150#	363	60	65.75	62.16	68.68	38	39.9	39.56	1015.22	3.67	20.2
CO4 MVI-20-11	3354020	5	460V	~3	3" 150#	363	60	65.75	62.16	68.68	38	39.9	42.14	1080.02	5.9	33.8
CO4 MVI-20-12	3354021	5	460V	~3	3" 150#	363	60	65.75	62.16	68.68	38	39.9	43.24	1084.02	5.9	33.8
CO4 MVI-20-13	3354022	5	460V	~3	3" 150#	363	60	65.75	62.16	68.68	38	39.9	44.34	1088.02	5.9	33.8
CO4 MVI-20-14	3354023	5	460V	~3	3" 150#	363	60	65.75	62.16	68.68	38	39.9	45.34	1092.02	5.9	33.8
CO4 MVI-20-15	3354024	5	460V	~3	3" 150#	363	60	65.75	62.16	68.68	38	39.9	46.44	1100.02	5.9	33.8
CO4 MVI-20-16	3354025	5	460V	~3	3" 150#	363	60	65.75	62.16	68.68	38	39.9	47.54	1104.02	5.9	33.8
CO4 MVI-20-2	3354500	0.75	575V	~3	3" 150#	363	47	51.75	62.16	54.68	37	41.71	26.09	667.96	0.904	15
CO4 MVI-20-3	3354501	1	575V	~3	3" 150#	363	47	51.75	62.16	54.68	37	41.71	26.79	677.96	1.2	15
CO4 MVI-20-4	3354502	1.5	575V	~3	3" 150#	363	47	51.75	62.16	54.68	37	41.71	29.76	730.76	1.5	15
CO4 MVI-20-5	3354503	1.5	575V	~3	3" 150#	363	47	51.75	62.16	54.68	37	41.71	30.86	734.76	1.5	15
CO4 MVI-20-6	3354504	2	575V	~3	3" 150#	363	47	51.75	62.16	54.68	37	41.71	32.75	762.76	1.98	15
CO4 MVI-20-7	3354505	2	575V	~3	3" 150#	363	47	51.75	62.16	54.68	37	41.71	33.85	766.76	1.98	15
CO4 MVI-20-8	3354506	3	575V	~3	3" 150#	363	60	65.75	62.16	68.68	38	41.71	37.46	1007.27	2.9	15
CO4 MVI-20-9	3354507	3	575V	~3	3" 150#	363	60	65.75	62.16	68.68	38	41.71	38.46	1015.27	2.9	15
CO4 MVI-20-10	3354508	3	575V	~3	3" 150#	363	60	65.75	62.16	68.68	38	41.71	39.56	1019.27	2.9	15
CO4 MVI-20-11	3354509	5	575V	~3	3" 150#	363	60	65.75	62.16	68.68	38	41.71	42.14	1083.67	4.72	32.4
CO4 MVI-20-12	3354510	5	575V	~3	3" 150#	363	60	65.75	62.16	68.68	38	41.71	43.24	1087.67	4.72	32.4
CO4 MVI-20-13	3354511	5	575V	~3	3" 150#	363	60	65.75	62.16	68.68	38	41.71	44.34	1091.67	4.72	32.4
CO4 MVI-20-14	3354512	5	575V	~3	3" 150#	363	60	65.75	62.16	68.68	38	41.71	45.34	1095.67	4.72	32.4
CO4 MVI-20-15	3354513	5	575V	~3	3" 150#	363	60	65.75	62.16	68.68	38	41.71	46.44	1103.67	4.72	32.4
CO4 MVI-20-16	3354514	5	575V	~3	3" 150#	363	60	65.75	62.16	68.68	38	41.71	47.54	1107.67	4.72	32.4

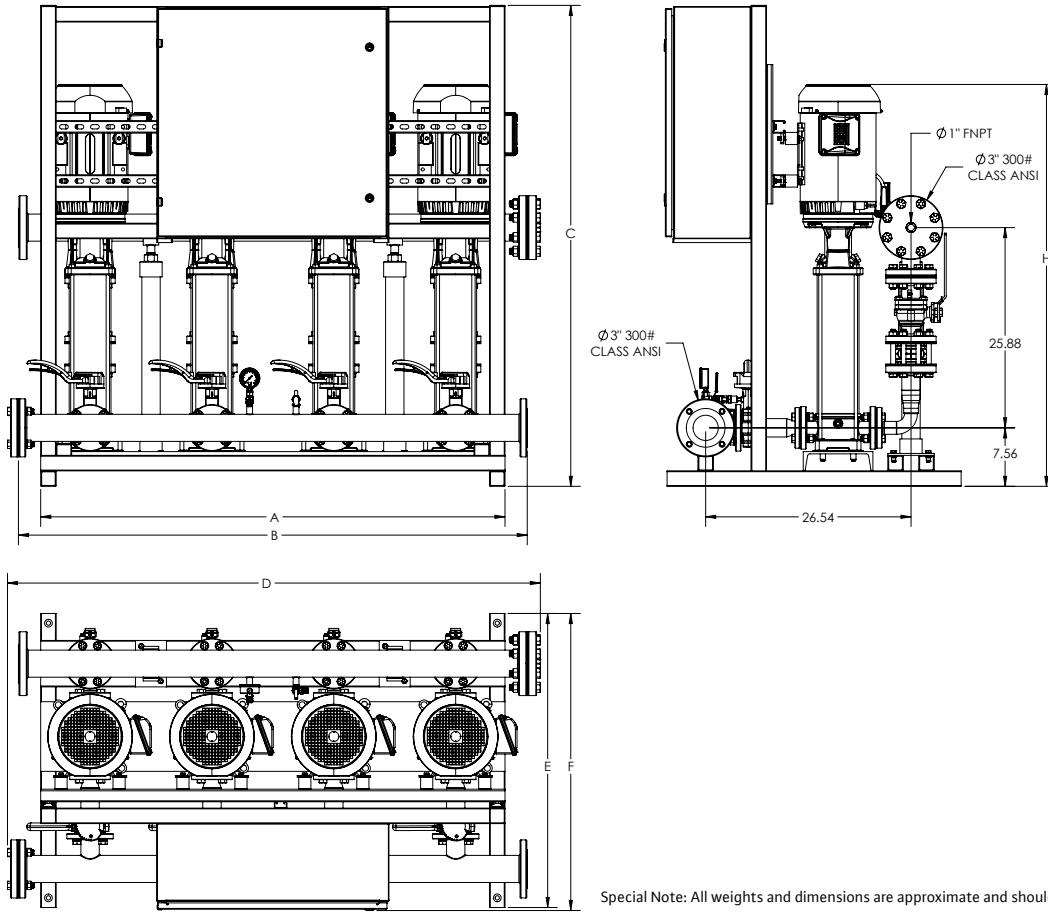
Submittal Data Sheet

Wilo-CO MVI - NSF 61/372 Pressure Boosting System



CO4 MVI-20

300# Discharge



Special Note: All weights and dimensions are approximate and should not be used as exact rough-in dimensions

CO4 MVI-20

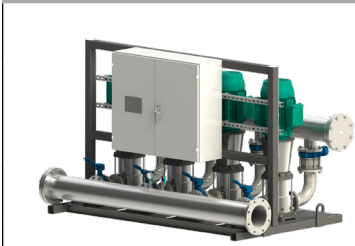
Model	Article	HP	Voltage	Phase	System Header Size (ANSI)	Pmax (PSI)	Dimensions - Inches (in)							TEFC Motor Data (Per Motor)		
							A (in)	B (in)	C (in)	D (in)	E (in)	F (in)	H (in)	System Weight (Lbs)	Motor FLA (per pump)	System FLA
CO4 MVI-20-18	3353537	7.5	208V-230V	~3	3" 300#	363	60	65.75	62.16	68.86	38	42.2	51.93	1740.84	19.2-17.3	85-73
CO4 MVI-20-20	3353538	7.5	208V-230V	~3	3" 300#	363	60	65.75	62.16	68.86	38	42.2	54.03	1752.84	19.2-17.3	85-73
CO4 MVI-20-22	3353539	7.5	208V-230V	~3	3" 300#	363	60	65.75	62.16	68.86	38	42.2	56.13	1760.84	19.2-17.3	85-73
CO4 MVI-20-24	3353540	7.5	208V-230V	~3	3" 300#	363	60	65.75	62.16	68.86	38	42.2	58.23	1768.84	19.2-17.3	85-73
CO4 MVI-20-18	3354026	7.5	460V	~3	3" 300#	363	60	65.75	62.16	68.86	38	38.4	51.93	1448.25	8.67	45
CO4 MVI-20-20	3354027	7.5	460V	~3	3" 300#	363	60	65.75	62.16	68.86	38	38.4	54.03	1460.25	8.67	45
CO4 MVI-20-22	3354028	7.5	460V	~3	3" 300#	363	60	65.75	62.16	68.86	38	38.4	56.13	1468.25	8.67	45
CO4 MVI-20-24	3354029	7.5	460V	~3	3" 300#	363	60	65.75	62.16	68.86	38	38.4	58.23	1476.25	8.67	45
CO4 MVI-20-18	3354515	7.5	575V	~3	3" 300#	363	60	65.75	62.16	68.86	38	40.2	51.93	1459.5	6.94	34.2
CO4 MVI-20-20	3354516	7.5	575V	~3	3" 300#	363	60	65.75	62.16	68.86	38	40.2	54.03	1471.5	6.94	34.2
CO4 MVI-20-22	3354517	7.5	575V	~3	3" 300#	363	60	65.75	62.16	68.86	38	40.2	56.13	1479.5	6.94	34.2
CO4 MVI-20-24	3354518	7.5	575V	~3	3" 300#	363	60	65.75	62.16	68.86	38	40.2	58.23	1487.5	6.94	34.2

Submittal Data Sheet

Wilco-CO MVI - NSF 61/372 Pressure Boosting System

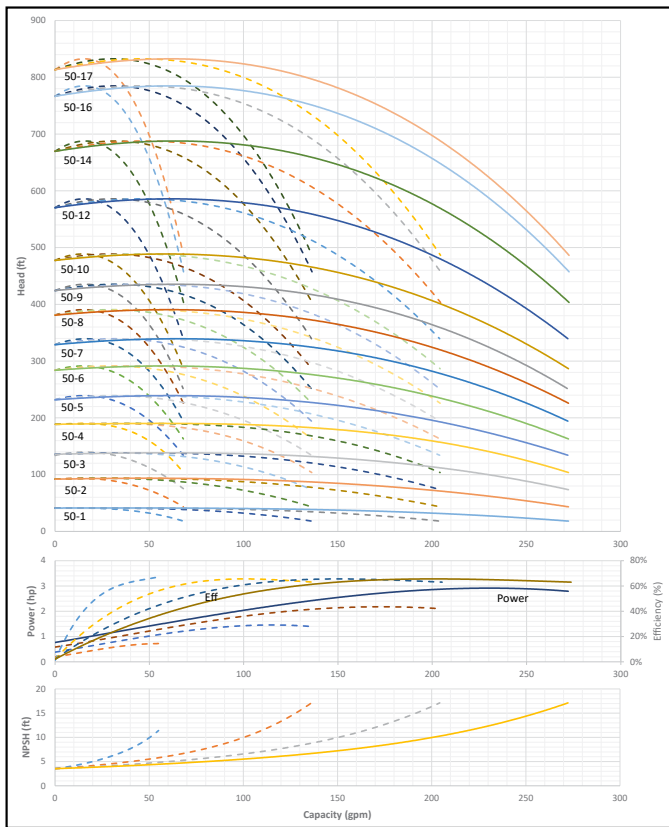


CO4 MVI-50



Project:	
Engineer:	
Contractor:	
Submitted By:	Date:
Approved By:	Date:

Tag #	Model #	Flow	BOOST PSI	Min. Inlet PSI	HP/Pump	Phase	Voltage	RPM
	CO4 MVI-50				1			3600



Applications

- Water Supply
- Agriculture
- Washing / Sprinkling Systems
- Pressure Boosting
- Cooling Circuits
- Condensate Return

Materials of Construction

Volute	AISI 304 Stainless Steel with Cast Iron ANSI flanges
Impeller	AISI 304 Stainless Steel
Shaft	ANSI 431 Stainless Steel
Elastomers	EPDM
Manifold	AISI 304 Stainless Steel
Suction Isolation Valves	150# Cast Iron Wafer Butterfly, All Stainless Steel Wetted Components
Discharge Isolation Valve	150# Cast Iron Wafer Butterfly, All Stainless Steel Wetted Components or 300# 304SS Ball Valve
Check Valve	Wafer Style, 316 Stainless Steel internals, non-slam, plunger type with EPDM seal/ cast iron body
Mechanical Seal	Frame and Springs 304SS
Pressure Transducers	¼" MNPT, 316 Stainless Steel
Pressure Gauges	¼" MNPT, 304 Stainless Steel Housing with 316 Stainless Steel wetted parts
System Base	Epoxy Coated A-500 Steel Tubing and A36 C-Channel/Plates

Technical Data - Operational Ranges

Liquid Temp Range	5°F to 248°F (Min. 32 °F for Domestic Water)
Ambient Temp Range	+32°F to +104 °F

Technical Data - Panel

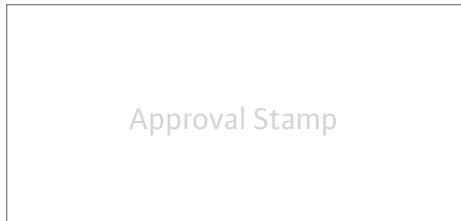
Liquid Temp Range	208-230/460~3 or 575~3
Enclosure	NEMA 3R up to 20 HP NEMA 12 for 25 HP and above (NEMA 4 and 4X available upon request)
Standard	Meets UL 508A
Variable Frequency Drives	Danfoss FC-101: • 1 HP to 3 HP 208-230V~1 IN / 208-230V~3 OUT • 1 HP to 60 HP 208-230V~3 • 1 HP to 100 HP 460V~3 • 1 HP to 100 HP 575V~3

Technical Data - PLC

User Interface	7" Diagonal Color LCD Touchscreen
Display Resolution	800 x 480 Pixels
Supply Voltage	24VDC
Max. Current Consumption	320mA@24V
Number of Analog Inputs	4
Number of Analog Outputs	4
Number of Digital Inputs	18
Number of Digital Outputs	17
Onboard Communications	Modbus Protocol (Optional Gateways for BACnet, LonWorks, and CANbus)
Ethernet Port	RJ45 port capable of transmitting data 10/100Mbps
Additional Ports	2.0 USB Port; Micro-SD Port

Motor Data

Power Supply	208-230, 460, 575~3
Motor Enclosure	Totally Enclosed Fan Cooled (TEFC)
Motor Efficiency	Nema Premium Efficiency - Meets NEMA 12-12 Rule
Enclosure Construction	Rolled Steel / Cast Iron
Motor Protection Index	IP54
Insulation Class	F



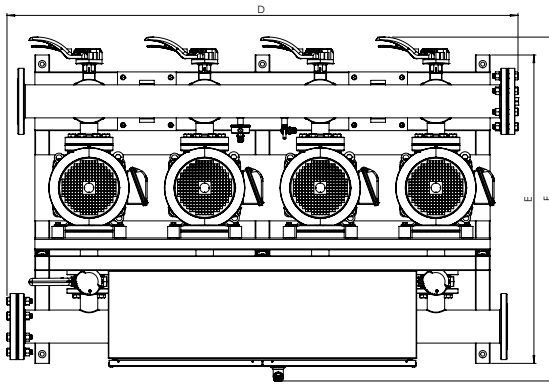
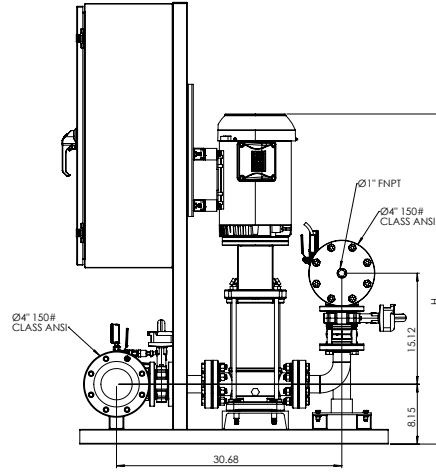
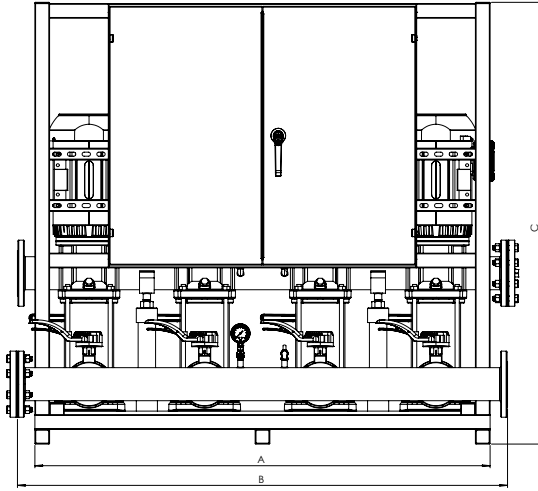
Submittal Data Sheet

Wilo-CO MVI - NSF 61/372 Pressure Boosting System



CO4 MVI-50

150# Discharge



Special Note: All weights and dimensions are approximate and should not be used as exact rough-in dimensions

CO4 MVI-50

CO4 MVI-50															TEFC Motor Data (Per Motor)	
Model	Article	HP	Voltage	Phase	System Header Size (ANSI)	Pmax (PSI)	Dimensions - Inches (in)							System Weight (Lbs)	Motor FLA (per pump)	System FLA
							A (in)	B (in)	C (in)	D (in)	E (in)	F (in)	H (in)		(A)	
CO4 MVI-50-1	3353149	0.75	208V-230V	~1 IN/~3 OUT	4" 150#	232	49	54.5	60.16	57.35	44	46.15	28.93	962.68	2.5-2.26	23.4
CO4 MVI-50-2	3353150	1.5	208V-230V	~1 IN/~3 OUT	4" 150#	232	49	54.5	60.16	57.35	44	46.15	30.5	1013.48	4.13-3.74	61.8
CO4 MVI-50-3	3353151	3	208V-230V	~1 IN/~3 OUT	4" 150#	232	62	66.75	60.16	69.6	42	46.15	35.09	1341.97	8.12-7.34	61.8
CO4 MVI-50-4	3353152	3	208V-230V	~1 IN/~3 OUT	4" 150#	232	62	66.75	60.16	69.6	42	46.15	36.29	1353.97	8.12-7.34	61.8
CO4 MVI-50-1	3353541	0.75	208V-230V	~3	4" 150#	232	49	54.5	60.16	57.35	44	44.39	28.93	859.16	2.5-2.26	12.2
CO4 MVI-50-2	3353542	1.5	208V-230V	~3	4" 150#	232	49	54.5	60.16	57.35	44	44.39	30.5	909.96	4.13-3.74	28.2
CO4 MVI-50-3	3353543	3	208V-230V	~3	4" 150#	232	62	66.75	60.16	69.6	42	44.39	35.09	1240.21	8.12-7.34	39.4
CO4 MVI-50-4	3353544	3	208V-230V	~3	4" 150#	232	62	66.75	60.16	69.6	42	44.39	36.29	1252.21	8.12-7.34	39.4
CO4 MVI-50-5	3353545	5	208V-230V	~3	4" 150#	232	62	66.75	60.16	69.6	42	44.39	39.05	1321.01	13.1-11.8	61.8
CO4 MVI-50-6	3353546	5	208V-230V	~3	4" 150#	232	62	66.75	60.16	69.6	42	44.39	40.23	1329.01	13.1-11.8	61.8
CO4 MVI-50-7	3353547	5	208V-230V	~3	4" 150#	232	62	66.75	60.16	69.6	42	44.39	40.77	1337.01	13.1-11.8	61.8
CO4 MVI-50-8	3353548	7.5	208V-230V	~3	4" 150#	232	62	66.75	60.16	69.6	42	46.8	44.83	1874.79	19.2-17.3	85-73
CO4 MVI-50-9	3353549	7.5	208V-230V	~3	4" 150#	232	62	66.75	60.16	69.6	42	46.8	46.01	1882.79	19.2-17.3	85-73
CO4 MVI-50-10	3353550	7.5	208V-230V	~3	4" 150#	232	62	66.75	60.16	69.6	42	46.8	47.19	1890.79	19.2-17.3	85-73
CO4 MVI-50-1	3354030	0.75	460V	~3	4" 150#	232	49	54.5	60.16	57.35	44	44.39	28.93	859.16	1.13	8.2
CO4 MVI-50-2	3354031	1.5	460V	~3	4" 150#	232	49	54.5	60.16	57.35	44	44.39	30.5	909.96	1.87	14.6
CO4 MVI-50-3	3354032	3	460V	~3	4" 150#	232	62	66.75	60.16	69.6	42	44.39	35.09	1240.21	3.67	20.2

Submittal Data Sheet

Wilo-CO MVI - NSF 61/372 Pressure Boosting System



CO4 MVI-50 150# Discharge															TEFC Motor Data (Per Motor)	
Dimensions - Inches (In)															Motor FLA (per pump)	System FLA
Model	Article	HP	Voltage	Phase	System Header Size (ANSI)	Pmax (PSI)	A (in)	B (in)	C (in)	D (in)	E (in)	F (in)	H (in)	System Weight (Lbs)	(A)	
CO4 MVI-50-4	3354033	3	460V	~3	4" 150#	232	62	66.75	60.16	69.6	42	44.39	36.29	1252.21	3.67	20.2
CO4 MVI-50-5	3354034	5	460V	~3	4" 150#	232	62	66.75	60.16	69.6	42	44.39	39.05	1321.01	5.9	33.8
CO4 MVI-50-6	3354035	5	460V	~3	4" 150#	232	62	66.75	60.16	69.6	42	44.39	40.23	1329.01	5.9	33.8
CO4 MVI-50-7	3354036	5	460V	~3	4" 150#	232	62	66.75	60.16	69.6	42	44.39	40.77	1337.01	5.9	33.8
CO4 MVI-50-8	3354037	7.5	460V	~3	4" 150#	232	62	66.75	60.16	69.6	42	44.8	44.83	1582.21	8.67	45
CO4 MVI-50-9	3354038	7.5	460V	~3	4" 150#	232	62	66.75	60.16	69.6	42	44.8	46.01	1590.21	8.67	45
CO4 MVI-50-10	3354039	7.5	460V	~3	4" 150#	232	62	66.75	60.16	69.6	42	44.8	47.19	1598.21	8.67	45
CO4 MVI-50-1	3354519	0.75	575V	~3	4" 150#	232	49	54.5	60.16	57.35	44	44.38	28.93	862.4	0.904	15
CO4 MVI-50-2	3354520	1.5	575V	~3	4" 150#	232	49	54.5	60.16	57.35	44	44.38	30.5	913.2	1.5	15
CO4 MVI-50-3	3354521	3	575V	~3	4" 150#	232	62	66.75	60.16	69.6	42	44.39	35.09	1244.25	2.9	15
CO4 MVI-50-4	3354522	3	575V	~3	4" 150#	232	62	66.75	60.16	69.6	42	44.39	36.29	1256.25	2.9	15
CO4 MVI-50-5	3354523	5	575V	~3	4" 150#	232	62	66.75	60.16	69.6	42	44.39	39.05	1324.65	4.72	32.4
CO4 MVI-50-6	3354524	5	575V	~3	4" 150#	232	62	66.75	60.16	69.6	42	44.39	40.23	1332.65	4.72	32.4
CO4 MVI-50-7	3354525	5	575V	~3	4" 150#	232	62	66.75	60.16	69.6	42	44.39	40.77	1340.65	4.72	32.4
CO4 MVI-50-8	3354526	7.5	575V	~3	4" 150#	232	62	66.75	60.16	69.6	42	44.8	44.83	1593.45	6.94	34.2
CO4 MVI-50-9	3354527	7.5	575V	~3	4" 150#	232	62	66.75	60.16	69.6	42	44.8	46.01	1601.45	6.94	34.2
CO4 MVI-50-10	3354528	7.5	575V	~3	4" 150#	232	62	66.75	60.16	69.6	42	44.8	47.19	1609.45	6.94	34.2

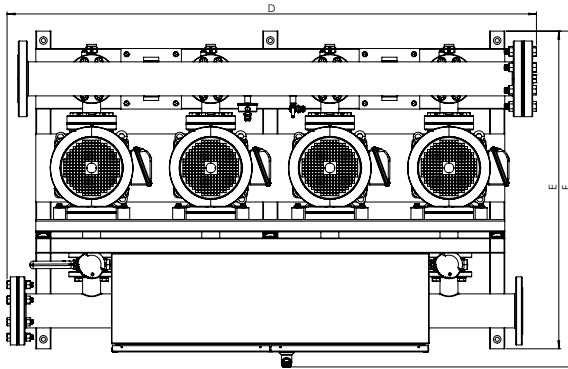
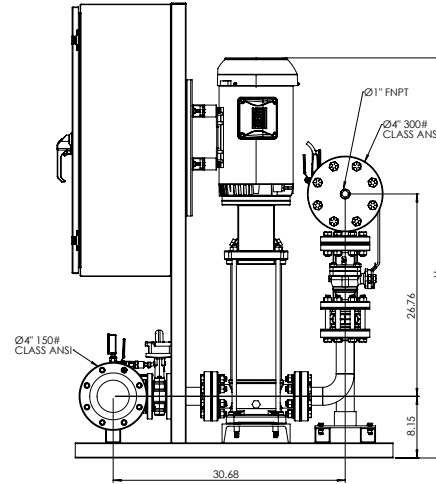
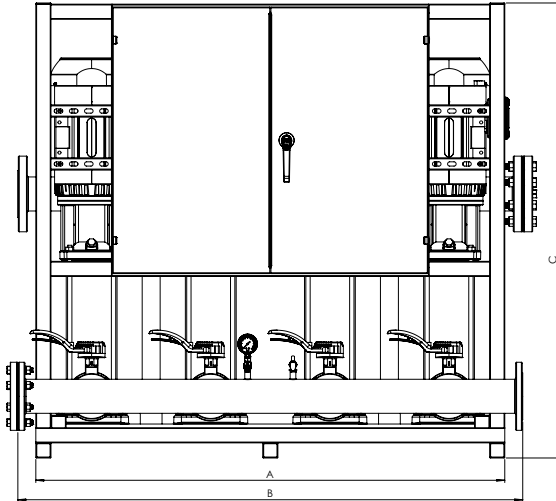
Submittal Data Sheet

Wilo-CO MVI - NSF 61/372 Pressure Boosting System



CO4 MVI-50

300# Discharge



Special Note: All weights and dimensions are approximate and should not be used as exact rough-in dimensions

CO4 MVI-50

TEFC Motor Data (Per Motor)

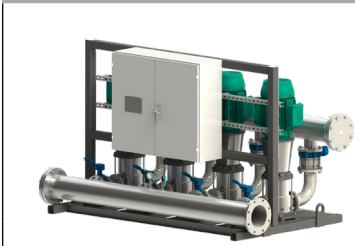
Model	Article	HP	Voltage	Phase	System Header Size (ANSI)	Pmax (PSI)	Dimensions - Inches (in)								System Weight (Lbs)	Motor FLA (per pump)		System FLA
							A (in)	B (in)	C (in)	D (in)	E (in)	F (in)	H (in)	(A)				
CO4 MVI-50-12	3353551	10	208V-230V	~3	4" 300#	363	62	66.75	60.16	69.99	42	44.4	51.1	2134.72	25.4-23	114.2-97		
CO4 MVI-50-14	3353552	10	208V-230V	~3	4" 300#	363	62	66.75	60.16	69.99	42	44.4	52.77	2154.72	25.4-23	114.2-97		
CO4 MVI-50-16	3353553	15	208V-230V	~3	4" 300#	363	86	91.5	60.16	94.74	42	45.41	61.22	2911.25	38.5-34.8	165-153.8		
CO4 MVI-50-17	3353554	15	208V-230V	~3	4" 300#	363	86	91.5	60.16	94.74	42	45.41	62.42	2923.25	38.5-34.8	165-153.8		
CO4 MVI-50-12	3354040	10	460V	~3	4" 300#	363	62	66.75	60.16	69.99	42	42	51.1	1842.14	11.5	57		
CO4 MVI-50-14	3354041	10	460V	~3	4" 300#	363	62	66.75	60.16	69.99	42	42	52.77	1862.14	11.5	57		
CO4 MVI-50-16	3354042	15	460V	~3	4" 300#	363	86	91.5	60.16	94.74	42	45.41	61.22	2911.25	17.4	74.6		
CO4 MVI-50-17	3354043	15	460V	~3	4" 300#	363	86	91.5	60.16	94.74	42	45.41	62.42	2923.25	17.4	74.6		
CO4 MVI-50-12	3354529	10	575V	~3	4" 300#	363	62	66.75	60.16	69.99	42	42.4	51.1	1861.38	9.2	46.6		
CO4 MVI-50-14	3354530	10	575V	~3	4" 300#	363	62	66.75	60.16	69.99	42	42.4	52.77	1881.38	9.2	46.6		
CO4 MVI-50-16	3354531	15	575V	~3	4" 300#	363	86	91.5	68.16	94.74	42	45.41	61.22	2453.52	13.8	63.8		
CO4 MVI-50-17	3354532	15	575V	~3	4" 300#	363	86	91.5	68.16	94.74	42	45.41	62.42	2465.52	13.8	63.8		

Submittal Data Sheet

Wilo-CO MVI - NSF 61/372 Pressure Boosting System

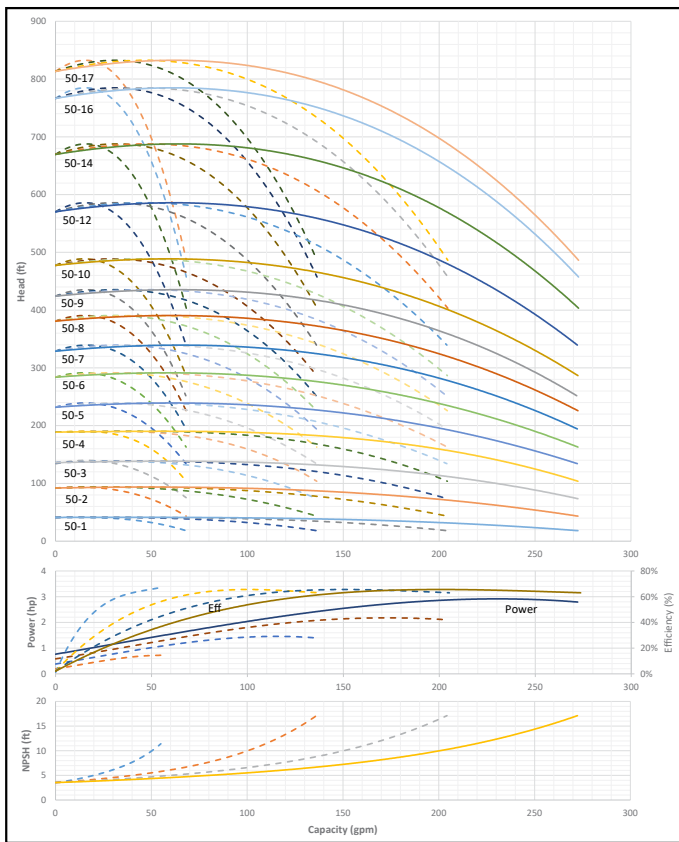


CO4 MVI-1SB-50



Project:	
Engineer:	
Contractor:	
Submitted By:	Date:
Approved By:	Date:

Tag #	Model #	Flow	BOOST PSI	Min. Inlet PSI	HP/Pump	Phase	Voltage	RPM
	CO4 MVI-1SB-50				1			3600



Applications

- Water Supply
- Agriculture
- Washing / Sprinkling Systems
- Pressure Boosting
- Cooling Circuits
- Condensate Return

Materials of Construction

Volute	AISI 304 Stainless Steel with Cast Iron ANSI flanges
Impeller	AISI 304 Stainless Steel
Shaft	ANSI 431 Stainless Steel
Elastomers	EPDM
Manifold	AISI 304 Stainless Steel
Suction Isolation Valves	150# Cast Iron Wafer Butterfly, All Stainless Steel Wetted Components
Discharge Isolation Valve	150# Cast Iron Wafer Butterfly, All Stainless Steel Wetted Components or 300# 304SS Ball Valve
Check Valve	Wafer Style, 316 Stainless Steel internals, non-slam, plunger type with EPDM seal/ cast iron body
Mechanical Seal	Frame and Springs 304SS
Pressure Transducers	¼" MNPT, 316 Stainless Steel
Pressure Gauges	¼" MNPT, 304 Stainless Steel Housing with 316 Stainless Steel wetted parts
System Base	Epoxy Coated A-500 Steel Tubing and A36 C-Channel/Plates

Technical Data - Operational Ranges

Liquid Temp Range	5°F to 248°F (Min. 32 °F for Domestic Water)
Ambient Temp Range	+32°F to +104 °F

Technical Data - Panel

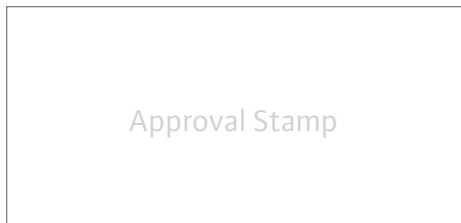
Liquid Temp Range	208-230/460~3 or 575~3
Enclosure	NEMA 3R up to 20 HP NEMA 12 for 25 HP and above (NEMA 4 and 4X available upon request)
Standard	Meets UL 508A
Variable Frequency Drives	Danfoss FC-101: • 1 HP to 3 HP 208-230V~1 IN / 208-230V~3 OUT • 1 HP to 60 HP 208-230V~3 • 1 HP to 100 HP 460V~3 • 1 HP to 100 HP 575V~3

Technical Data - PLC

User Interface	7" Diagonal Color LCD Touchscreen
Display Resolution	800 x 480 Pixels
Supply Voltage	24VDC
Max. Current Consumption	320mA@24V
Number of Analog Inputs	4
Number of Analog Outputs	4
Number of Digital Inputs	18
Number of Digital Outputs	17
Onboard Communications	Modbus Protocol (Optional Gateways for BACnet, LonWorks, and CANbus)
Ethernet Port	RJ45 port capable of transmitting data 10/100Mbps
Additional Ports	2.0 USB Port; Micro-SD Port

Motor Data

Power Supply	208-230, 460, 575~3
Motor Enclosure	Totally Enclosed Fan Cooled (TEFC)
Motor Efficiency	Nema Premium Efficiency - Meets NEMA 12-12 Rule
Enclosure Construction	Rolled Steel / Cast Iron
Motor Protection Index	IP54
Insulation Class	F



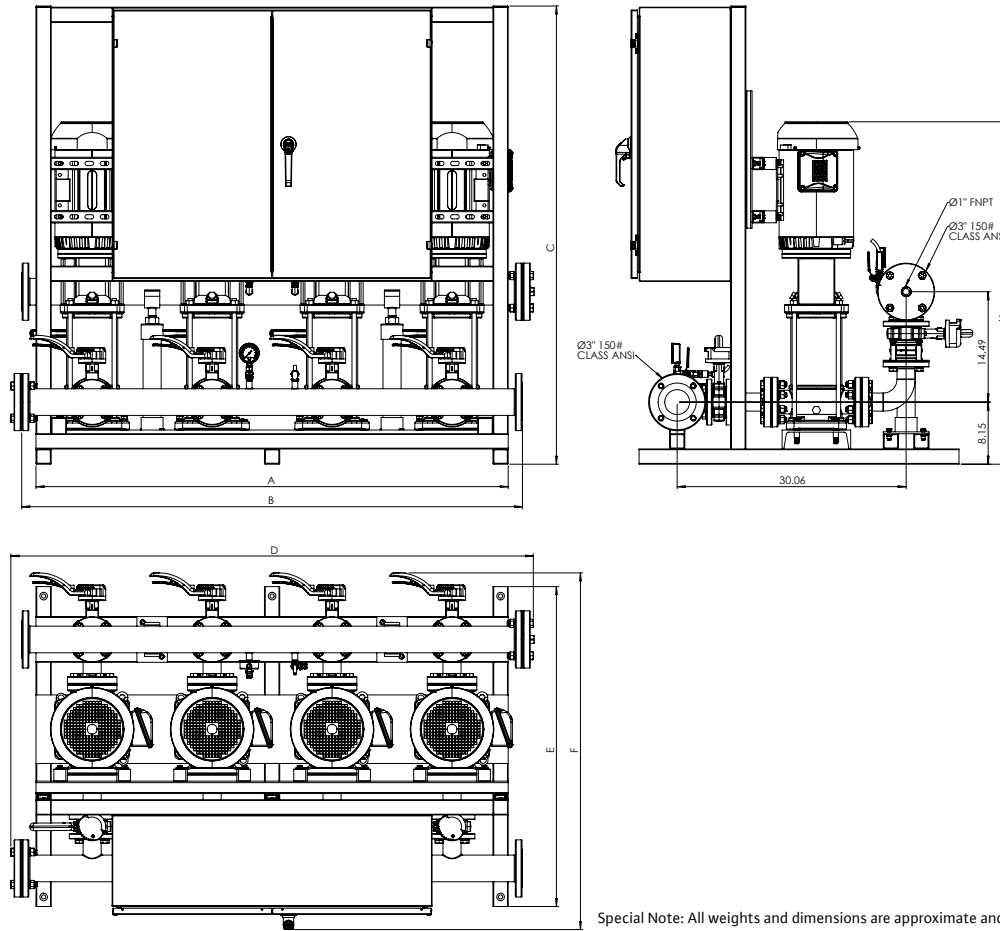
Submittal Data Sheet

Wilo-CO MVI - NSF 61/372 Pressure Boosting System



CO4 MVI-1SB-50

150# Discharge



Special Note: All weights and dimensions are approximate and should not be used as exact rough-in dimensions

CO4 MVI-1SB-50

CO4 MVI-1SB-50														TEFC Motor Data (Per Motor)		
Dimensions - Inches (in)														Motor FLA (per pump)	System FLA	
Model	Article	HP	Voltage	Phase	System Header Size (ANSI)	Pmax (PSI)	A (in)	B (in)	C (in)	D (in)	E (in)	F (in)	H (in)	System Weight (Lbs)	(A)	
CO4 MVI-1SB-50-1	3354756	0.75	208V-230V	~1 IN/~3 OUT	3" 150#	232	49	51.75	60.16	54.6	42	46.15	28.93	936.88	2.5-2.26	23.4
CO4 MVI-1SB-50-2	3354757	1.5	208V-230V	~1 IN/~3 OUT	3" 150#	232	49	51.75	60.16	54.6	42	46.15	30.5	987.68	4.13-3.74	61.8
CO4 MVI-1SB-50-3	3354758	3	208V-230V	~1 IN/~3 OUT	3" 150#	232	62	65.75	60.16	68.6	42	46.02	35.09	1317.53	8.12-7.34	61.8
CO4 MVI-1SB-50-4	3354759	3	208V-230V	~1 IN/~3 OUT	3" 150#	232	62	65.75	60.16	68.6	42	46.02	36.29	1329.53	8.12-7.34	61.8
CO4 MVI-1SB-50-1	3354976	0.75	208V-230V	~3	3" 150#	232	49	51.75	60.16	54.6	42	43.76	28.93	833.36	2.5-2.26	12.2
CO4 MVI-1SB-50-2	3354977	1.5	208V-230V	~3	3" 150#	232	49	51.75	60.16	54.6	42	43.76	30.5	884.16	4.13-3.74	28.2
CO4 MVI-1SB-50-3	3354978	3	208V-230V	~3	3" 150#	232	62	65.75	60.16	68.6	42	43.76	35.09	1215.77	8.12-7.34	39.4
CO4 MVI-1SB-50-4	3354979	3	208V-230V	~3	3" 150#	232	62	65.75	60.16	68.6	42	43.76	36.29	1227.77	8.12-7.34	39.4
CO4 MVI-1SB-50-5	3354980	5	208V-230V	~3	3" 150#	232	62	65.75	60.16	68.6	42	43.76	39.05	1296.57	13.1-11.8	61.8
CO4 MVI-1SB-50-6	3354981	5	208V-230V	~3	3" 150#	232	62	65.75	60.16	68.6	42	43.76	40.23	1304.57	13.1-11.8	61.8
CO4 MVI-1SB-50-7	3354982	5	208V-230V	~3	3" 150#	232	62	65.75	60.16	68.6	42	43.76	40.77	1312.57	13.1-11.8	61.8
CO4 MVI-1SB-50-8	3354983	7.5	208V-230V	~3	3" 150#	232	62	65.75	60.16	68.6	42	46.8	44.83	1850.35	19.2-17.3	85-73
CO4 MVI-1SB-50-9	3354984	7.5	208V-230V	~3	3" 150#	232	62	65.75	60.16	68.6	42	46.8	46.01	1858.35	19.2-17.3	85-73
CO4 MVI-1SB-50-10	3354985	7.5	208V-230V	~3	3" 150#	232	62	65.75	60.16	68.6	42	46.8	47.19	1866.35	19.2-17.3	85-73
CO4 MVI-1SB-50-1	3355266	0.75	460V	~3	3" 150#	232	49	51.75	60.16	54.6	42	43.76	28.93	833.36	1.13	8.2
CO4 MVI-1SB-50-2	3355267	1.5	460V	~3	3" 150#	232	49	51.75	60.16	54.6	42	43.76	30.5	884.16	1.87	14.6
CO4 MVI-1SB-50-3	3355268	3	460V	~3	3" 150#	232	62	65.75	60.16	68.6	42	43.76	35.09	1215.77	3.67	20.2

Submittal Data Sheet

Wilco-CO MVI - NSF 61/372 Pressure Boosting System



CO4 MVI-1SB-50 150# Discharge															TEFC Motor Data (Per Motor)	
															Motor FLA (per pump)	System FLA
															Dimensions - Inches (in)	
Model	Article	HP	Voltage	Phase	System Header Size (ANSI)	Pmax (PSI)	A (in)	B (in)	C (in)	D (in)	E (in)	F (in)	H (in)	System Weight (Lbs)	(A)	
CO4 MVI-1SB-50-4	3355269	3	460V	~3	3" 150#	232	62	65.75	60.16	68.6	42	43.76	36.29	1227.77	3.67	20.2
CO4 MVI-1SB-50-5	3355270	5	460V	~3	3" 150#	232	62	65.75	60.16	68.6	42	43.76	39.05	1296.57	5.9	33.8
CO4 MVI-1SB-50-6	3355271	5	460V	~3	3" 150#	232	62	65.75	60.16	68.6	42	43.76	40.23	1304.57	5.9	33.8
CO4 MVI-1SB-50-7	3355272	5	460V	~3	3" 150#	232	62	65.75	60.16	68.6	42	43.76	40.77	1312.57	5.9	33.8
CO4 MVI-1SB-50-8	3355273	7.5	460V	~3	3" 150#	232	62	65.75	60.16	68.6	42	44.8	44.83	1558.58	8.67	45
CO4 MVI-1SB-50-9	3355274	7.5	460V	~3	3" 150#	232	62	65.75	60.16	68.6	42	44.8	46.01	1566.58	8.67	45
CO4 MVI-1SB-50-10	3355275	7.5	460V	~3	3" 150#	232	62	65.75	60.16	68.6	42	44.8	47.19	1574.58	8.67	45
CO4 MVI-1SB-50-1	3355556	0.75	575V	~3	3" 150#	232	49	51.75	60.16	54.6	42	44.04	28.93	837.41	0.904	15
CO4 MVI-1SB-50-2	3355557	1.5	575V	~3	3" 150#	232	49	51.75	60.16	54.6	42	44.04	30.5	888.21	1.5	15
CO4 MVI-1SB-50-3	3355558	3	575V	~3	3" 150#	232	62	65.75	60.16	68.6	42	43.76	35.09	1219.81	2.9	15
CO4 MVI-1SB-50-4	3355559	3	575V	~3	3" 150#	232	62	65.75	60.16	68.6	42	43.76	36.29	1231.81	2.9	15
CO4 MVI-1SB-50-5	3355560	5	575V	~3	3" 150#	232	62	65.75	60.16	68.6	42	43.76	39.05	1300.21	4.72	32.4
CO4 MVI-1SB-50-6	3355561	5	575V	~3	3" 150#	232	62	65.75	60.16	68.6	42	43.76	40.23	1308.21	4.72	32.4
CO4 MVI-1SB-50-7	3355562	5	575V	~3	3" 150#	232	62	65.75	60.16	68.6	42	43.76	40.77	1316.21	4.72	32.4
CO4 MVI-1SB-50-8	3355563	7.5	575V	~3	3" 150#	232	62	65.75	60.16	68.6	42	44.8	44.83	1569.82	6.94	34.2
CO4 MVI-1SB-50-9	3355564	7.5	575V	~3	3" 150#	232	62	65.75	60.16	68.6	42	44.8	46.01	1577.82	6.94	34.2
CO4 MVI-1SB-50-10	3355565	7.5	575V	~3	3" 150#	232	62	65.75	60.16	68.6	42	44.8	47.19	1585.82	6.94	34.2

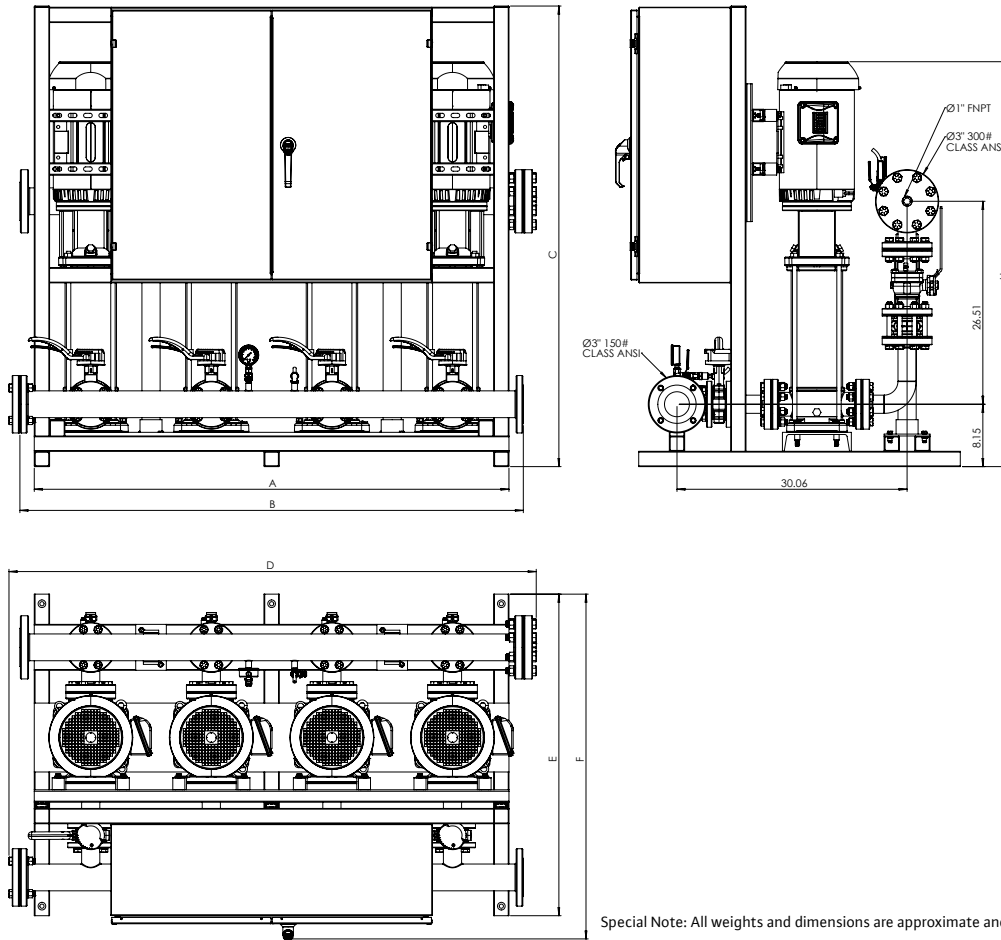
Submittal Data Sheet

Wilo-CO MVI - NSF 61/372 Pressure Boosting System



CO4 MVI-1SB-50

300# Discharge



Special Note: All weights and dimensions are approximate and should not be used as exact rough-in dimensions

CO4 MVI-1SB-50

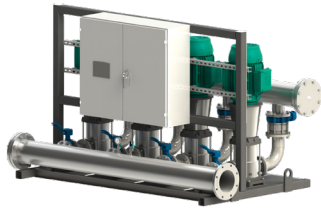
CO4 MVI-1SB-50														TEFC Motor Data (Per Motor)		
Dimensions - Inches (in)														Motor FLA (per pump)	System FLA	
Model	Article	HP	Voltage	Phase	System Header Size (ANSI)	Pmax (PSI)	A (in)	B (in)	C (in)	D (in)	E (in)	F (in)	H (in)			System Weight (Lbs)
CO4 MVI-1SB-50-12	3354986	10	208V-230V	~3	3" 300#	363	62	65.75	60.16	68.86	42	45.03	51.1	2105.91	25.4-23	114.2-97
CO4 MVI-1SB-50-14	3354987	10	208V-230V	~3	3" 300#	363	62	65.75	60.16	68.86	42	45.03	52.77	2125.91	25.4-23	114.2-97
CO4 MVI-1SB-50-16	3354988	15	208V-230V	~3	3" 300#	363	86	91	60.16	94.11	42	46.03	61.22	2880.94	38.5-34.8	165-153.8
CO4 MVI-1SB-50-17	3354989	15	208V-230V	~3	3" 300#	363	86	91	60.16	94.11	42	46.03	62.42	2892.94	38.5-34.8	165-153.8
CO4 MVI-1SB-50-12	3355276	10	460V	~3	3" 300#	363	62	65.75	60.16	68.86	42	42	51.1	1813.33	11.5	57
CO4 MVI-1SB-50-14	3355277	10	460V	~3	3" 300#	363	62	65.75	60.16	68.86	42	42	52.77	1833.33	11.5	57
CO4 MVI-1SB-50-16	3355278	15	460V	~3	3" 300#	363	86	91	60.16	94.11	42	46.03	61.22	2880.94	17.4	74.6
CO4 MVI-1SB-50-17	3355279	15	460V	~3	3" 300#	363	86	91	60.16	94.11	42	46.03	62.42	2892.94	17.4	74.6
CO4 MVI-1SB-50-12	3355566	10	575V	~3	3" 300#	363	62	65.75	60.16	68.86	42	43.03	51.1	1832.58	9.2	46.6
CO4 MVI-1SB-50-14	3355567	10	575V	~3	3" 300#	363	62	65.75	60.16	68.86	42	43.03	52.77	1852.58	9.2	46.6
CO4 MVI-1SB-50-16	3355568	15	575V	~3	3" 300#	363	86	91	68.16	94.11	42	46.03	61.22	2423.21	13.8	63.8
CO4 MVI-1SB-50-17	3355569	15	575V	~3	3" 300#	363	86	91	68.16	94.11	42	46.03	62.42	2435.21	13.8	63.8

Submittal Data Sheet

Wilo-CO MVI - NSF 61/372 Pressure Boosting System

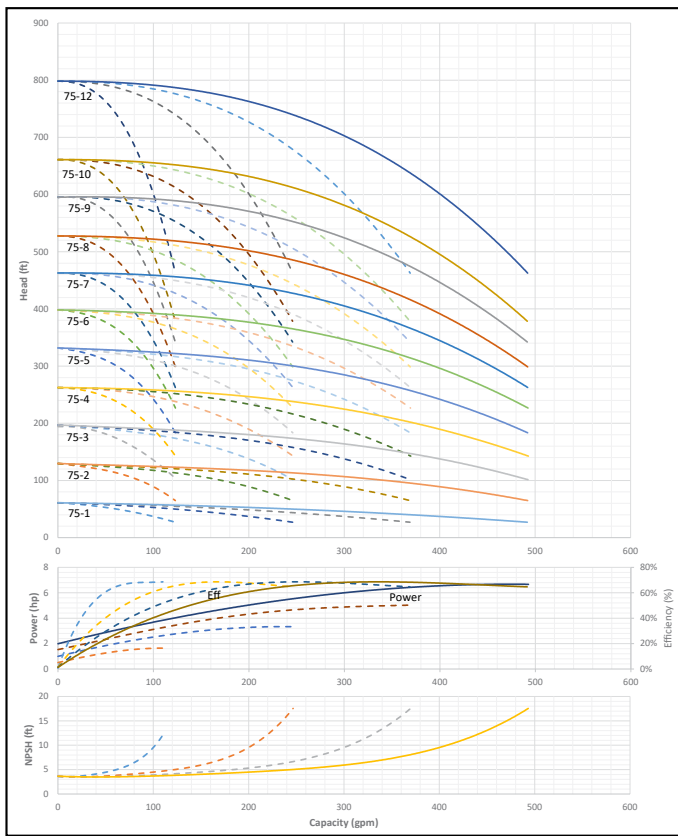


CO4 MVI-75



Project:	
Engineer:	
Contractor:	
Submitted By:	Date:
Approved By:	Date:

Tag #	Model #	Flow	BOOST PSI	Min. Inlet PSI	HP/Pump	Phase	Voltage	RPM
	CO4 MVI-75				1			3600



Applications

- Water Supply
- Agriculture
- Washing / Sprinkling Systems
- Pressure Boosting
- Cooling Circuits
- Condensate Return

Materials of Construction

Volute	AISI 304 Stainless Steel with Cast Iron ANSI flanges
Impeller	AISI 304 Stainless Steel
Shaft	ANSI 431 Stainless Steel
Elastomers	EPDM
Manifold	AISI 304 Stainless Steel
Suction Isolation Valves	150# Cast Iron Wafer Butterfly, All Stainless Steel Wetted Components
Discharge Isolation Valve	150# Cast Iron Wafer Butterfly, All Stainless Steel Wetted Components or 300# 304SS Ball Valve
Check Valve	Wafer Style, 316 Stainless Steel internals, non-slam, plunger type with EPDM seal/ cast iron body
Mechanical Seal	Frame and Springs 304SS
Pressure Transducers	¼" MNPT, 316 Stainless Steel
Pressure Gauges	¼" MNPT, 304 Stainless Steel Housing with 316 Stainless Steel wetted parts
System Base	Epoxy Coated A-500 Steel Tubing and A36 C-Channel/Plates

Technical Data - Operational Ranges

Liquid Temp Range	5°F to 248°F (Min. 32 °F for Domestic Water)
Ambient Temp Range	+32°F to +104 °F

Technical Data - Panel

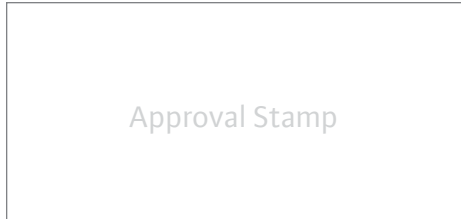
Liquid Temp Range	208-230/460-3 or 575-3
Enclosure	NEMA 3R up to 20 HP NEMA 12 for 25 HP and above (NEMA 4 and 4X available upon request)
Standard	Meets UL 508A
Variable Frequency Drives	Danfoss FC-101: • 1 HP to 3 HP 208-230V-1 IN / 208-230V-3 OUT • 1 HP to 60 HP 208-230V-3 • 1 HP to 100 HP 460V-3 • 1 HP to 100 HP 575V-3

Technical Data - PLC

User Interface	7" Diagonal Color LCD Touchscreen
Display Resolution	800 x 480 Pixels
Supply Voltage	24VDC
Max. Current Consumption	320mA@24V
Number of Analog Inputs	4
Number of Analog Outputs	4
Number of Digital Inputs	18
Number of Digital Outputs	17
Onboard Communications	Modbus Protocol (Optional Gateways for BACnet, LonWorks, and CANbus)
Ethernet Port	RJ45 port capable of transmitting data 10/100Mbps
Additional Ports	2.0 USB Port; Micro-SD Port

Motor Data

Power Supply	208-230, 460, 575-3
Motor Enclosure	Totally Enclosed Fan Cooled (TEFC)
Motor Efficiency	Nema Premium Efficiency - Meets NEMA 12-12 Rule
Enclosure Construction	Rolled Steel / Cast Iron
Motor Protection Index	IP54
Insulation Class	F



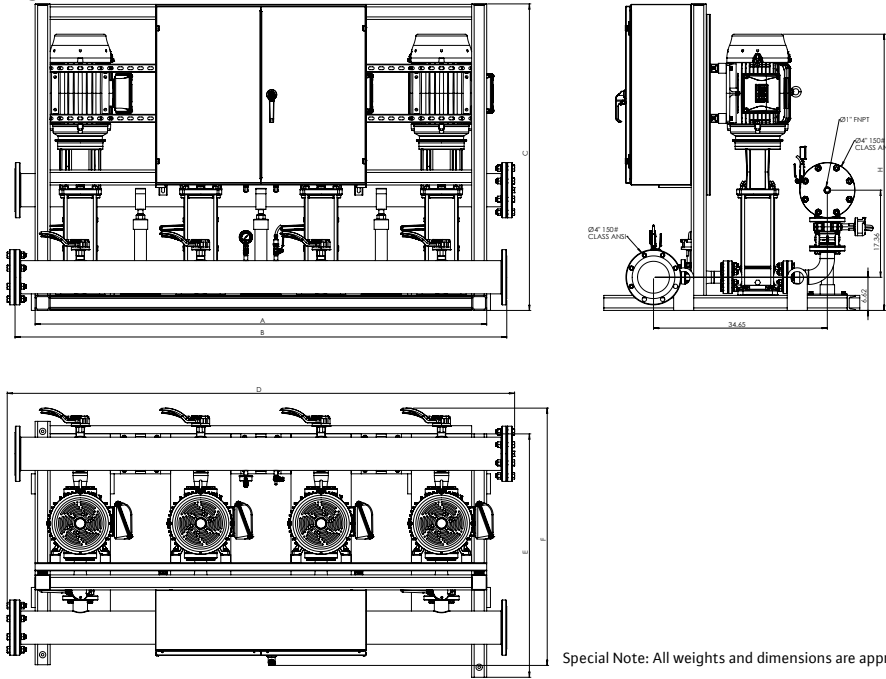
Submittal Data Sheet

Wilo-CO MVI - NSF 61/372 Pressure Boosting System



CO4 MVI-75

150# Discharge



Special Note: All weights and dimensions are approximate and should not be used as exact rough-in dimensions

CO4 MVI-75

TEFC Motor Data (Per Motor)

Model	Article	HP	Voltage	Phase	System Header Size (ANSI)	Pmax (PSI)	Dimensions - Inches (in)							System Weight (Lbs)	TEFC Motor Data (Per Motor)	
							A (in)	B (in)	C (in)	D (in)	E (in)	F (in)	H (in)		Motor FLA (per pump)	System FLA
CO4 MVI-75-1	3353156	2	208V-230V	~1 IN / ~3 OUT	6" 150#	232	49	60.5	60.16	63.63	47	49.71	32.43	1139.86	5.46-4.94	61.8
CO4 MVI-75-1	3353555	2	208V-230V	~3	6" 150#	232	49	60.5	60.16	63.63	47	49.71	32.43	1037.11	5.46-4.94	28.2
CO4 MVI-75-2	3353556	5	208V-230V	~3	6" 150#	232	65.25	73.25	61.1	76.38	48.51	51.11	35.16	1847.76	13.1-11.8	61.8
CO4 MVI-75-3	3353557	5	208V-230V	~3	6" 150#	232	65.25	73.25	61.1	76.38	48.51	51.11	36.33	1859.76	13.1-11.8	61.8
CO4 MVI-75-4	3353558	7.5	208V-230V	~3	6" 150#	232	65.25	73.25	61.1	76.38	48.51	51.11	40.94	2410.15	19.2-17.3	85-73
CO4 MVI-75-5	3353559	10	208V-230V	~3	6" 150#	232	65.25	73.25	61.1	76.38	48.51	51.11	44.26	2530.15	25.4-23	114.2-97
CO4 MVI-75-6	3353560	10	208V-230V	~3	6" 150#	232	65.25	73.25	61.1	76.38	48.51	51.11	45.34	2542.15	25.4-23	114.2-97
CO4 MVI-75-7	3353561	15	208V-230V	~3	6" 150#	232	90	98	61.1	101.13	48.51	51.24	53.2	3328.16	38.5-34.8	165-153.8
CO4 MVI-75-8	3353562	15	208V-230V	~3	6" 150#	232	90	98	61.1	101.13	48.51	51.24	54.97	3340.16	38.5-34.8	165-153.8
CO4 MVI-75-1	3354044	2	460V	~3	6" 150#	232	49	60.5	60.16	63.63	47	49.71	32.43	1037.11	2.47	14.6
CO4 MVI-75-2	3354045	5	460V	~3	6" 150#	232	65.25	73.25	61.1	76.38	48.51	51.11	35.16	1847.76	5.9	33.8
CO4 MVI-75-3	3354046	5	460V	~3	6" 150#	232	65.25	73.25	61.1	76.38	48.51	51.11	36.33	1859.76	5.9	33.8
CO4 MVI-75-4	3354047	7.5	460V	~3	6" 150#	232	65.25	73.25	61.1	76.38	48.51	51.11	40.94	2108.32	8.67	45
CO4 MVI-75-5	3354048	10	460V	~3	6" 150#	232	65.25	73.25	61.1	76.38	48.51	51.11	44.26	2228.32	11.5	57
CO4 MVI-75-6	3354049	10	460V	~3	6" 150#	232	65.25	73.25	61.1	76.38	48.51	51.11	45.34	2240.32	11.5	57
CO4 MVI-75-7	3354050	15	460V	~3	6" 150#	232	90	98	61.1	101.13	48.51	51.24	53.2	3328.16	17.4	74.6
CO4 MVI-75-8	3354051	15	460V	~3	6" 150#	232	90	98	61.1	101.13	48.51	51.24	54.97	3340.16	17.4	74.6
CO4 MVI-75-1	3354533	2	575V	~3	6" 150#	232	49	60.5	60.16	63.63	47	49.71	32.43	1040.36	1.98	15
CO4 MVI-75-2	3354534	5	575V	~3	6" 150#	232	65.25	73.25	61.1	76.38	48.51	51.11	35.16	1851.4	4.72	32.4
CO4 MVI-75-3	3354535	5	575V	~3	6" 150#	232	65.25	73.25	61.1	76.38	48.51	51.11	36.33	1863.4	4.72	32.4
CO4 MVI-75-4	3354536	7.5	575V	~3	6" 150#	232	65.25	73.25	61.1	76.38	48.51	51.11	40.94	2119.56	6.94	34.2
CO4 MVI-75-5	3354537	10	575V	~3	6" 150#	232	65.25	73.25	61.1	76.38	48.51	51.11	44.26	2247.56	9.2	46.6
CO4 MVI-75-6	3354538	10	575V	~3	6" 150#	232	65.25	73.25	61.1	76.38	48.51	51.11	45.34	2259.56	9.2	46.6
CO4 MVI-75-7	3354539	15	575V	~3	6" 150#	232	90	98	69.1	101.13	48.51	51.24	53.2	2884.69	13.8	63.8
CO4 MVI-75-8	3354540	15	575V	~3	6" 150#	232	90	98	69.1	101.13	48.51	51.24	54.97	2896.69	13.8	63.8

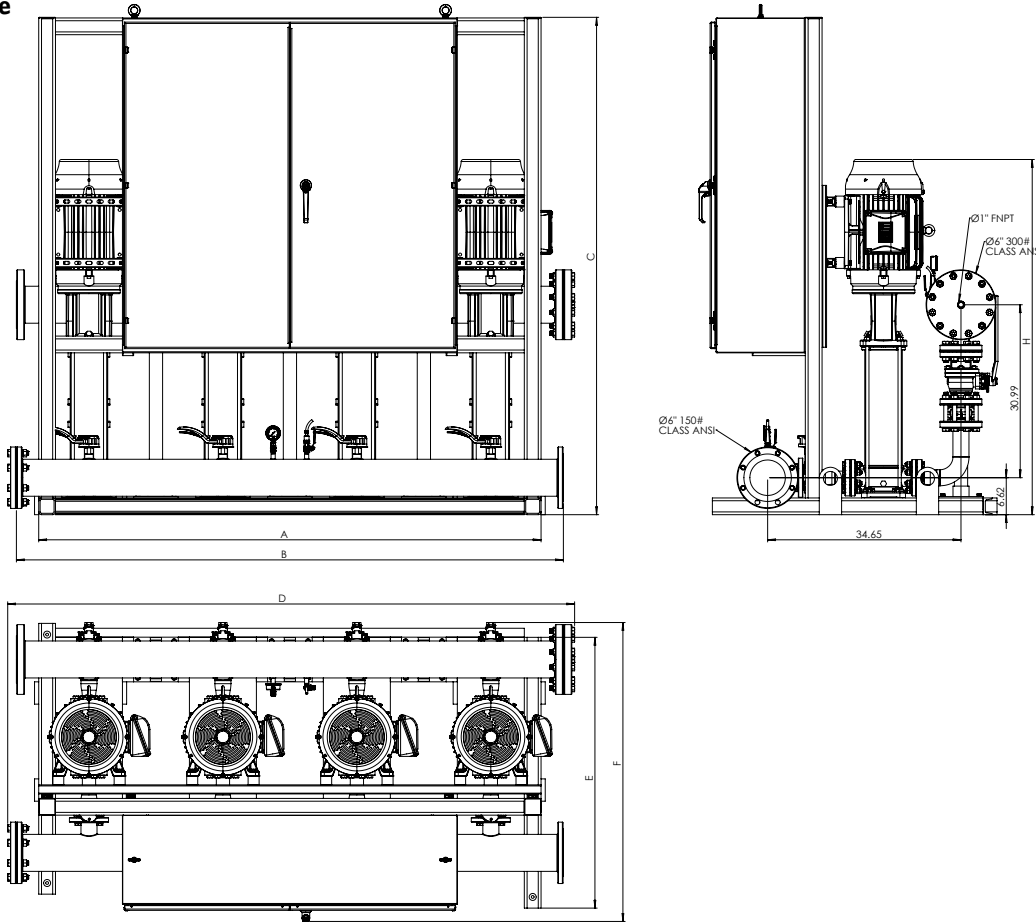
Submittal Data Sheet

Wilo-CO MVI - NSF 61/372 Pressure Boosting System



CO4 MVI-75

300# Discharge



Special Note: All weights and dimensions are approximate and should not be used as exact rough-in dimensions

CO4 MVI-75

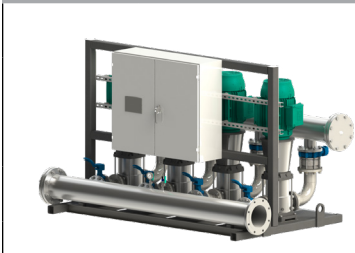
CO4 MVI-75															TEFC Motor Data (Per Motor)		
Model	Article	HP	Voltage	Phase	System Header Size (ANSI)	Pmax (PSI)	A (in)	B (in)	C (in)	Dimensions - Inches (In)					System Weight (Lbs)	Motor FLA (per pump)	System FLA
										D (in)	E (in)	F (in)	H (in)	(A)			
CO4 MVI-75-9	3353563	15	208V-230V	~3	6" 300#	363	90	98	61.1	101.57	48.51	48.81	56.74	3563.44	38.5-34.8	165-153.8	
CO4 MVI-75-10	3353564	20	208V-230V	~3	6" 300#	363	90	98	87.1	101.57	48.51	55.23	58.51	3422.33	50.2-45.4	211.8	
CO4 MVI-75-12	3353565	25	208V-230V	~3	6" 300#	363	90	98	89.1	101.57	48.51	53.56	63.56	3730.86	63.0-57.6	261	
CO4 MVI-75-9	3354052	15	460V	~3	6" 300#	363	90	98	61.1	101.57	48.51	48.81	56.74	3563.44	17.4	74.6	
CO4 MVI-75-10	3354053	20	460V	~3	6" 300#	363	90	98	61.1	101.57	48.51	48.81	58.51	3607.44	22.7	99.8	
CO4 MVI-75-12	3354054	25	460V	~3	6" 300#	363	90	98	61.1	101.57	48.51	49.57	63.56	3909.74	28.8	118.2	
CO4 MVI-75-9	3354541	15	575V	~3	6" 300#	363	90	98	65.1	101.57	48.51	48.82	56.74	3112.43	13.8	63.8	
CO4 MVI-75-10	3354542	20	575V	~3	6" 300#	363	90	98	65.1	101.57	48.51	48.82	58.51	3156.43	18.2	86.6	
CO4 MVI-75-12	3354543	25	575V	~3	6" 300#	363	90	98	89.1	101.57	48.51	53.56	63.56	3702.86	23	103.8	

Submittal Data Sheet

Wilco-CO MVI - NSF 61/372 Pressure Boosting System

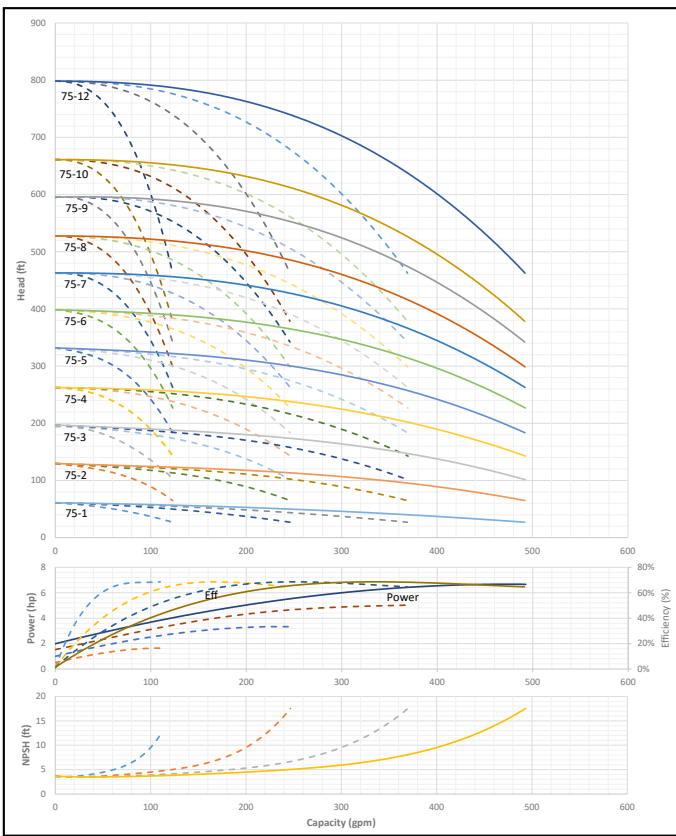


CO4 MVI-1SB-75



Project:	
Engineer:	
Contractor:	
Submitted By:	Date:
Approved By:	Date:

Tag #	Model #	Flow	BOOST PSI	Min. Inlet PSI	HP/Pump	Phase	Voltage	RPM
	CO4 MVI-1SB-75				1			3600



Applications	
• Water Supply	• Pressure Boosting
• Agriculture	• Cooling Circuits
• Washing / Sprinkling Systems	• Condensate Return

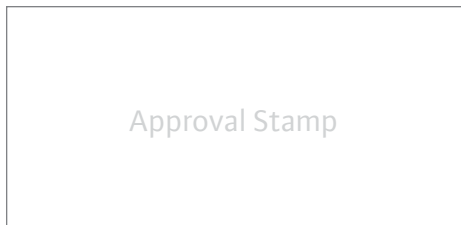
Materials of Construction	
Volute	AISI 304 Stainless Steel with Cast Iron ANSI flanges
Impeller	AISI 304 Stainless Steel
Shaft	ANSI 431 Stainless Steel
Elastomers	EPDM
Manifold	AISI 304 Stainless Steel
Suction Isolation Valves	150# Cast Iron Wafer Butterfly, All Stainless Steel Wetted Components
Discharge Isolation Valve	150# Cast Iron Wafer Butterfly, All Stainless Steel Wetted Components or 300# 304SS Ball Valve
Check Valve	Wafer Style, 316 Stainless Steel internals, non-slam, plunger type with EPDM seal/ cast iron body
Mechanical Seal	Frame and Springs 304SS
Pressure Transducers	¼" MNPT, 316 Stainless Steel
Pressure Gauges	¼" MNPT, 304 Stainless Steel Housing with 316 Stainless Steel wetted parts
System Base	Epoxy Coated A-500 Steel Tubing and A36 C-Channel/Plates

Technical Data - Operational Ranges	
Liquid Temp Range	5°F to 248°F (Min. 32 °F for Domestic Water)
Ambient Temp Range	+32°F to +104 °F

Technical Data - Panel	
Liquid Temp Range	208-230/460~3 or 575~3
Enclosure	NEMA 3R up to 20 HP NEMA 12 for 25 HP and above (NEMA 4 and 4X available upon request)
Standard	Meets UL 508A
Variable Frequency Drives	Danfoss FC-101: • 1 HP to 3 HP 208-230V~1 IN / 208-230V~3 OUT • 1 HP to 60 HP 208-230V~3 • 1 HP to 100 HP 460V~3 • 1 HP to 100 HP 575V~3

Technical Data - PLC	
User Interface	7" Diagonal Color LCD Touchscreen
Display Resolution	800 x 480 Pixels
Supply Voltage	24VDC
Max. Current Consumption	320mA@24V
Number of Analog Inputs	4
Number of Analog Outputs	4
Number of Digital Inputs	18
Number of Digital Outputs	17
Onboard Communications	Modbus Protocol (Optional Gateways for BACnet, LonWorks, and CANbus)
Ethernet Port	RJ45 port capable of transmitting data 10/100Mbps
Additional Ports	2.0 USB Port; Micro-SD Port

Motor Data	
Power Supply	208-230, 460, 575~3
Motor Enclosure	Totally Enclosed Fan Cooled (TEFC)
Motor Efficiency	Nema Premium Efficiency - Meets NEMA 12-12 Rule
Enclosure Construction	Rolled Steel / Cast Iron
Motor Protection Index	IP54
Insulation Class	F



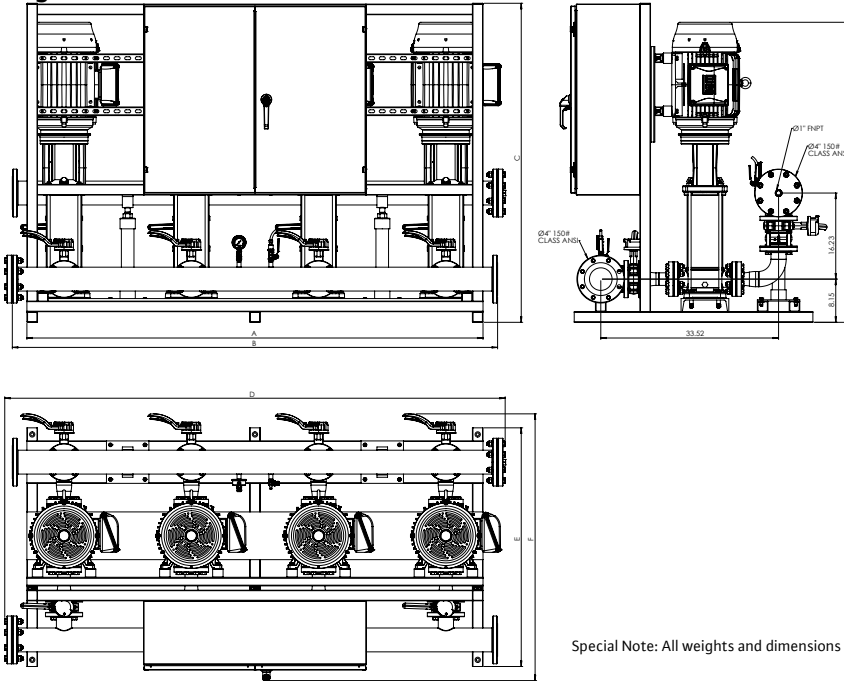
Submittal Data Sheet

Wilo-CO MVI - NSF 61/372 Pressure Boosting System



CO4 MVI-1SB-75

150# Discharge



Special Note: All weights and dimensions are approximate and should not be used as exact rough-in dimensions

CO4 MVI-1SB-75

TEFC Motor Data
(Per Motor)

Model	Article	HP	Voltage	Phase	System Header Size (ANSI)	Pmax (PSI)	Dimensions - Inches (in)								System Weight (Lbs)	Motor FLA (per pump)	System FLA
							A (in)	B (in)	C (in)	D (in)	E (in)	F (in)	H (in)	(A)			
CO4 MVI-1SB-75-1	3354763	2	208V-230V	~1 IN / ~3 OUT	4" 150#	232	49	54.5	60.16	57.35	46	48.6	32.43	1107.45	5.46-4.94	61.8	
CO4 MVI-1SB-75-1	3354990	2	208V-230V	~3	4" 150#	232	42	54.5	60.16	57.35	45	47.85	32.43	1003.17	5.46-4.94	28.2	
CO4 MVI-1SB-75-2	3354991	5	208V-230V	~3	4" 150#	232	62	66.75	60.16	69.6	45	47.59	36.65	1367.75	13.1-11.8	61.8	
CO4 MVI-1SB-75-3	3354992	5	208V-230V	~3	4" 150#	232	62	66.75	60.16	69.6	45	47.59	37.82	1379.75	13.1-11.8	61.8	
CO4 MVI-1SB-75-4	3354993	7.5	208V-230V	~3	4" 150#	232	62	66.75	60.16	69.6	45	49.25	42.43	1917.53	19.2-17.3	85-73	
CO4 MVI-1SB-75-5	3354994	10	208V-230V	~3	4" 150#	232	62	66.75	60.16	69.6	45	49.25	45.75	2037.53	25.4-23	114.2-97	
CO4 MVI-1SB-75-6	3354995	10	208V-230V	~3	4" 150#	232	62	66.75	60.16	69.6	45	49.25	46.83	2049.53	25.4-23	114.2-97	
CO4 MVI-1SB-75-7	3354996	15	208V-230V	~3	4" 150#	232	86	91.5	60.16	94.35	45	50.25	54.69	2801.19	38.5-34.8	165-153.8	
CO4 MVI-1SB-75-8	3354997	15	208V-230V	~3	4" 150#	232	86	91.5	60.16	94.35	45	50.25	56.46	2813.19	38.5-34.8	165-153.8	
CO4 MVI-1SB-75-1	3355280	2	460V	~3	4" 150#	232	42	54.5	60.16	57.35	45	47.85	32.43	1003.17	2.47	14.6	
CO4 MVI-1SB-75-2	3355281	5	460V	~3	4" 150#	232	62	66.75	60.16	69.6	45	47.59	36.65	1367.75	5.9	33.8	
CO4 MVI-1SB-75-3	3355282	5	460V	~3	4" 150#	232	62	66.75	60.16	69.6	45	47.59	37.82	1379.75	5.9	33.8	
CO4 MVI-1SB-75-4	3355283	7.5	460V	~3	4" 150#	232	62	66.75	60.16	69.6	45	47.59	42.43	1624.95	8.67	45	
CO4 MVI-1SB-75-5	3355284	10	460V	~3	4" 150#	232	62	66.75	60.16	69.6	45	47.59	45.75	1744.95	11.5	57	
CO4 MVI-1SB-75-6	3355285	10	460V	~3	4" 150#	232	62	66.75	60.16	69.6	45	47.59	46.83	1756.95	11.5	57	
CO4 MVI-1SB-75-7	3355286	15	460V	~3	4" 150#	232	86	91.5	60.16	94.35	45	50.25	54.69	2801.19	17.4	74.6	
CO4 MVI-1SB-75-8	3355287	15	460V	~3	4" 150#	232	86	91.5	60.16	94.35	45	50.25	56.46	2813.19	17.4	74.6	
CO4 MVI-1SB-75-1	3355570	2	575V	~3	4" 150#	232	49	54.5	60.16	57.35	45	47.59	32.43	1006.41	1.98	15	
CO4 MVI-1SB-75-2	3355571	5	575V	~3	4" 150#	232	62	66.75	60.16	69.6	45	47.59	36.65	1371.39	4.72	32.4	
CO4 MVI-1SB-75-3	3355572	5	575V	~3	4" 150#	232	62	66.75	60.16	69.6	45	47.59	37.82	1383.39	4.72	32.4	
CO4 MVI-1SB-75-4	3355573	7.5	575V	~3	4" 150#	232	62	66.75	60.16	69.6	45	47.59	42.43	1636.19	6.94	34.2	
CO4 MVI-1SB-75-5	3355574	10	575V	~3	4" 150#	232	62	66.75	60.16	69.6	45	47.59	45.75	1764.19	9.2	46.6	
CO4 MVI-1SB-75-6	3355575	10	575V	~3	4" 150#	232	62	66.75	60.16	69.6	45	47.59	46.83	1776.19	9.2	46.6	
CO4 MVI-1SB-75-7	3355576	15	575V	~3	4" 150#	232	86	91.5	68.16	94.35	45	50.25	54.69	2343.46	13.8	63.8	
CO4 MVI-1SB-75-8	3355577	15	575V	~3	4" 150#	232	86	91.5	68.16	94.35	45	50.25	56.46	2355.46	13.8	63.8	

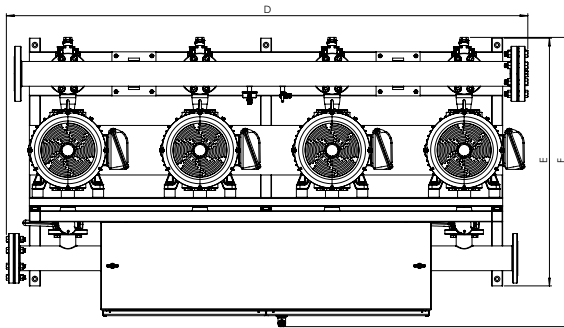
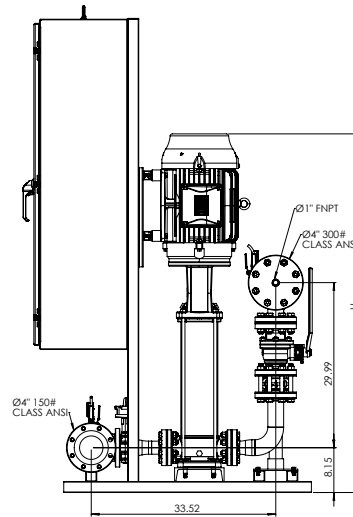
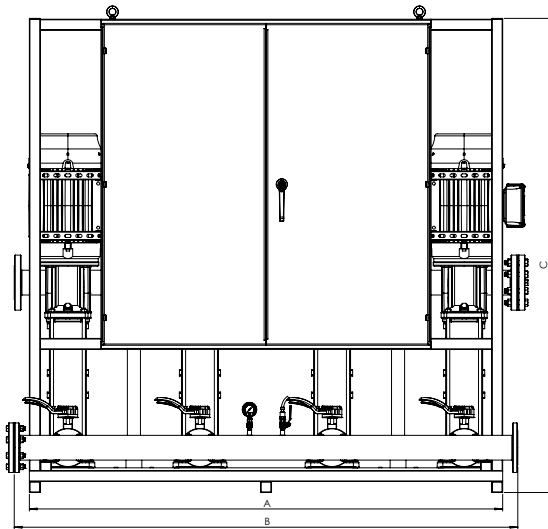
Submittal Data Sheet

Wilo-CO MVI - NSF 61/372 Pressure Boosting System



CO4 MVI-1SB-75

300# Discharge



Special Note: All weights and dimensions are approximate and should not be used as exact rough-in dimensions

CO4 MVI-1SB-75

TEFC Motor Data
(Per Motor)

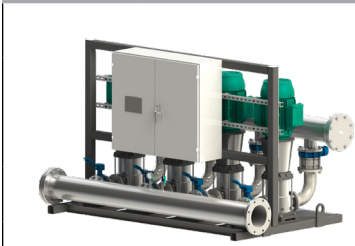
Model	Article	HP	Voltage	Phase	System Header Size (ANSI)	Pmax (PSI)	Dimensions - Inches (in)								System Weight (Lbs)	TEFC Motor Data (Per Motor)	
							A (in)	B (in)	C (in)	D (in)	E (in)	F (in)	H (in)	Motor FLA (per pump)		System FLA (A)	
CO4 MVI-1SB-75-9	3354998	15	208V-230V	~3	4" 300#	363	86	91.5	60.16	94.74	45	48.57	58.23	3015.17	38.5-34.8	165-153.8	
CO4 MVI-1SB-75-10	3354999	20	208V-230V	~3	4" 300#	363	86	91.5	86.16	94.74	45	52.56	60	2824.38	50.2-45.4	211.8	
CO4 MVI-1SB-75-12	3355000	25	208V-230V	~3	4" 300#	363	86	91.5	86.16	94.74	45	52.56	65.05	3128.38	63.0-57.6	261	
CO4 MVI-1SB-75-9	3355288	15	460V	~3	4" 300#	363	86	91.5	60.16	94.74	45	48.57	58.23	3015.17	17.4	74.6	
CO4 MVI-1SB-75-10	3355289	20	460V	~3	4" 300#	363	86	91.5	60.16	94.74	45	48.57	60	3059.17	22.7	99.8	
CO4 MVI-1SB-75-12	3355290	25	460V	~3	4" 300#	363	86	91.5	60.16	94.74	45	48.57	65.05	3363.17	28.8	118.2	
CO4 MVI-1SB-75-9	3355578	15	575V	~3	4" 300#	363	86	91.5	68.16	94.74	45	47.82	58.23	2557.44	13.8	63.8	
CO4 MVI-1SB-75-10	3355579	20	575V	~3	4" 300#	363	86	91.5	68.16	94.74	45	47.82	60	2601.44	18.2	86.6	
CO4 MVI-1SB-75-12	3355580	25	575V	~3	4" 300#	363	86	91.5	86.16	94.74	45	52.56	65.05	3100.38	23	103.8	

Submittal Data Sheet

Wilco-CO MVI - NSF 61/372 Pressure Boosting System

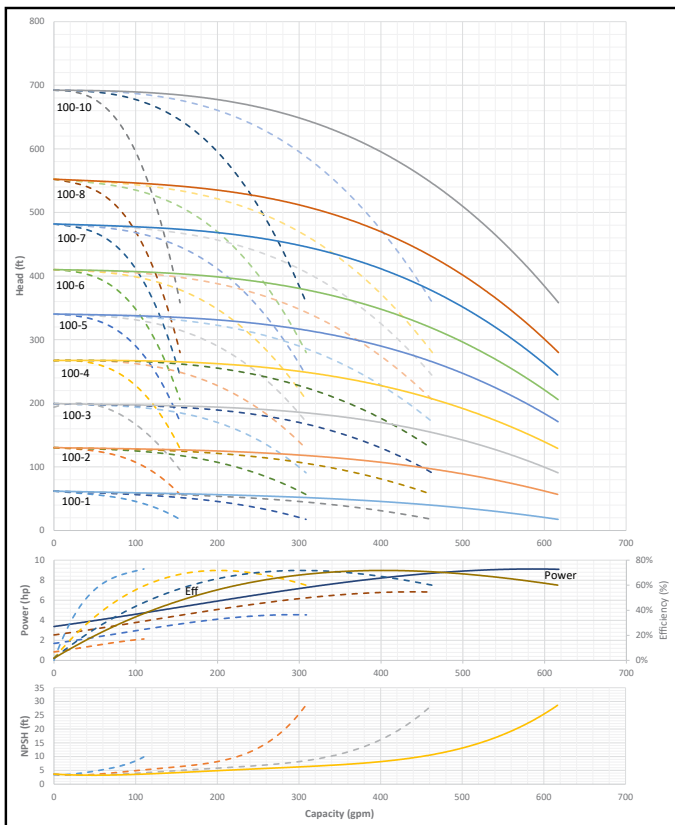


CO4 MVI-100



Project:	
Engineer:	
Contractor:	
Submitted By:	Date:
Approved By:	Date:

Tag #	Model #	Flow	BOOST PSI	Min. Inlet PSI	HP/Pump	Phase	Voltage	RPM
	CO4 MVI-100				1			3600



Applications	
• Water Supply	• Pressure Boosting
• Agriculture	• Cooling Circuits
• Washing / Sprinkling Systems	• Condensate Return

Materials of Construction	
Volute	AISI 304 Stainless Steel with Cast Iron ANSI flanges
Impeller	AISI 304 Stainless Steel
Shaft	ANSI 431 Stainless Steel
Elastomers	EPDM
Manifold	AISI 304 Stainless Steel
Suction Isolation Valves	150# Cast Iron Wafer Butterfly, All Stainless Steel Wetted Components
Discharge Isolation Valve	150# Cast Iron Wafer Butterfly, All Stainless Steel Wetted Components or 300# 304SS Ball Valve
Check Valve	Wafer Style, 316 Stainless Steel internals, non-slam, plunger type with EPDM seal/ cast iron body
Mechanical Seal	Frame and Springs 304SS
Pressure Transducers	¼" MNPT, 316 Stainless Steel
Pressure Gauges	¼" MNPT, 304 Stainless Steel Housing with 316 Stainless Steel wetted parts
System Base	Epoxy Coated A-500 Steel Tubing and A36 C-Channel/Plates

Technical Data - Operational Ranges

Liquid Temp Range	5°F to 248°F (Min. 32 °F for Domestic Water)
Ambient Temp Range	+32°F to +104 °F

Technical Data - Panel

Liquid Temp Range	208-230/460~3 or 575~3
Enclosure	NEMA 3R up to 20 HP NEMA 12 for 25 HP and above (NEMA 4 and 4X available upon request)
Standard	Meets UL 508A
Variable Frequency Drives	Danfoss FC-101: • 1 HP to 3 HP 208-230V~1 IN / 208-230V~3 OUT • 1 HP to 60 HP 208-230V~3 • 1 HP to 100 HP 460V~3 • 1 HP to 100 HP 575V~3

Technical Data - PLC

User Interface	7" Diagonal Color LCD Touchscreen
Display Resolution	800 x 480 Pixels
Supply Voltage	24VDC
Max. Current Consumption	320mA@24V
Number of Analog Inputs	4
Number of Analog Outputs	4
Number of Digital Inputs	18
Number of Digital Outputs	17
Onboard Communications	Modbus Protocol (Optional Gateways for BACnet, LonWorks, and CANbus)
Ethernet Port	RJ45 port capable of transmitting data 10/100Mbps
Additional Ports	2.0 USB Port; Micro-SD Port

Motor Data

Power Supply	208-230, 460, 575~3
Motor Enclosure	Totally Enclosed Fan Cooled (TEFC)
Motor Efficiency	Nema Premium Efficiency - Meets NEMA 12-12 Rule
Enclosure Construction	Rolled Steel / Cast Iron
Motor Protection Index	IP54
Insulation Class	F

Approval Stamp

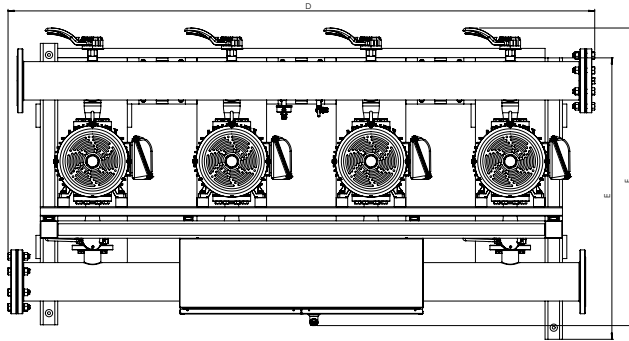
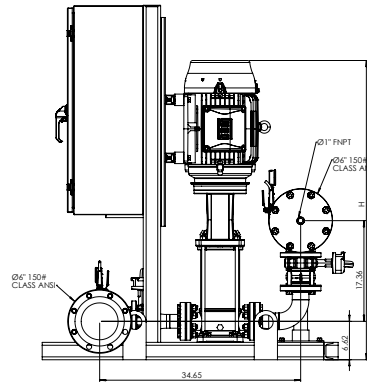
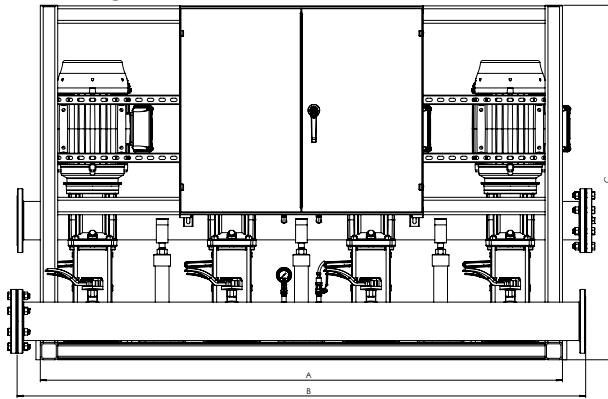
Submittal Data Sheet

Wilo-CO MVI - NSF 61/372 Pressure Boosting System



CO4 MVI-100

150# Discharge



Special Note: All weights and dimensions are approximate and should not be used as exact rough-in dimensions

CO4 MVI-100

TEFC Motor Data (Per Motor)

Model	Article	HP	Voltage	Phase	System Header Size (ANSI)	Pmax (PSI)	Dimensions - Inches (in)							System Weight (Lbs)	Motor FLA (per pump)	System FLA
							A (in)	B (in)	C (in)	D (in)	E (in)	F (in)	H (in)		(A)	
CO4 MVI-100-1	3353157	3	208V-230V	~1 IN/~3 OUT	6" 150#	232	65.25	73.25	61.1	76.38	48.51	51.11	33.64	1885.33	8.12-7.34	61.8
CO4 MVI-100-1	3353566	3	208V-230V	~3	6" 150#	232	65.25	73.25	61.1	76.38	48.51	51.11	33.64	1782.96	8.12-7.34	39.4
CO4 MVI-100-2	3353567	5	208V-230V	~3	6" 150#	232	65.25	73.25	61.1	76.38	48.51	51.11	35.23	1847.76	13.1-11.8	61.8
CO4 MVI-100-3	3353568	7.5	208V-230V	~3	6" 150#	232	65.25	73.25	61.1	76.38	48.51	51.11	39.24	2398.15	19.2-17.3	85-73
CO4 MVI-100-4	3353569	10	208V-230V	~3	6" 150#	232	65.25	73.25	61.1	76.38	48.51	51.11	42.57	2518.15	25.4-23	114.2-97
CO4 MVI-100-5	3353570	15	208V-230V	~3	6" 150#	232	90	98	61.1	101.13	48.51	51.24	49.73	3304.16	38.5-34.8	165-153.8
CO4 MVI-100-6	3353571	15	208V-230V	~3	6" 150#	232	90	98	61.1	101.13	48.51	51.24	51.5	3316.16	38.5-34.8	165-153.8
CO4 MVI-100-7	3353572	20	208V-230V	~3	6" 150#	232	90	98	87.1	101.13	48.51	55.23	53.28	3176.76	50.2-45.4	211.8
CO4 MVI-100-1	3354055	3	460V	~3	6" 150#	232	65.25	73.25	61.1	76.38	48.51	51.11	33.64	1782.96	3.67	20.2
CO4 MVI-100-2	3354056	5	460V	~3	6" 150#	232	65.25	73.25	61.1	76.38	48.51	51.11	35.23	1847.76	5.9	33.8
CO4 MVI-100-3	3354057	7.5	460V	~3	6" 150#	232	65.25	73.25	61.1	76.38	48.51	51.11	39.24	2096.32	8.67	45
CO4 MVI-100-4	3354058	10	460V	~3	6" 150#	232	65.25	73.25	61.1	76.38	48.51	51.11	42.57	2216.32	11.5	57
CO4 MVI-100-5	3354059	15	460V	~3	6" 150#	232	90	98	61.1	101.13	48.51	51.24	49.73	3304.16	17.4	74.6
CO4 MVI-100-6	3354060	15	460V	~3	6" 150#	232	90	98	61.1	101.13	48.51	51.24	51.5	3316.16	17.4	74.6
CO4 MVI-100-7	3354061	20	460V	~3	6" 150#	232	90	98	61.1	101.13	48.51	51.24	53.28	3360.16	22.7	99.8
CO4 MVI-100-1	3354544	3	575V	~3	6" 150#	232	65.25	73.25	61.1	76.38	48.51	51.11	33.64	1787	2.9	15
CO4 MVI-100-2	3354545	5	575V	~3	6" 150#	232	65.25	73.25	61.1	76.38	48.51	51.11	35.23	1851.4	4.72	32.4
CO4 MVI-100-3	3354546	7.5	575V	~3	6" 150#	232	65.25	73.25	61.1	76.38	48.51	51.11	39.24	2107.56	6.94	34.2
CO4 MVI-100-4	3354547	10	575V	~3	6" 150#	232	65.25	73.25	61.1	76.38	48.51	51.11	42.57	2235.56	9.2	46.6
CO4 MVI-100-5	3354548	15	575V	~3	6" 150#	232	90	98	69.1	101.13	48.51	51.24	49.73	2860.69	13.8	63.8
CO4 MVI-100-6	3354549	15	575V	~3	6" 150#	232	90	98	69.1	101.13	48.51	51.24	51.5	2872.69	13.8	63.8
CO4 MVI-100-7	3354550	20	575V	~3	6" 150#	232	90	98	69.1	101.13	48.51	51.24	53.28	2916.69	18.2	86.6

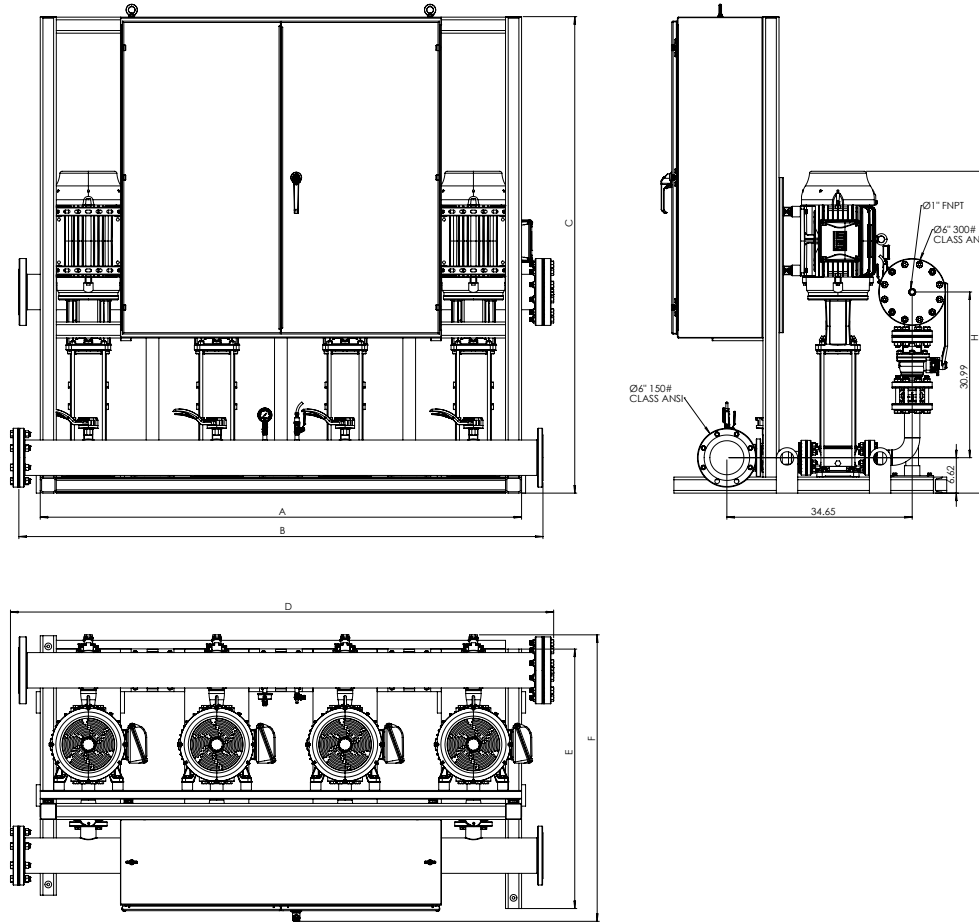
Submittal Data Sheet

Wilo-CO MVI - NSF 61/372 Pressure Boosting System



CO4 MVI-100

300# Discharge



Special Note: All weights and dimensions are approximate and should not be used as exact rough-in dimensions

CO4 MVI-100

Model	Article	HP	Voltage	Phase	System Header Size (ANSI)	Pmax (PSI)	Dimensions - Inches (In)								TEFC Motor Data (Per Motor)	
							A (in)	B (in)	C (in)	D (in)	E (in)	F (in)	H (in)	System Weight (Lbs)	Motor FLA (per pump)	System FLA
CO4 MVI-100-8	3353573	20	208V-230V	~3	6" 300#	363	90	98	87.1	101.57	48.51	52.8	55.05	3394.33	50.2-45.4	211.8
CO4 MVI-100-10	3353574	25	208V-230V	~3	6" 300#	363	90	98	89.1	101.57	48.51	53.56	60.1	3706.86	63.0-57.6	261
CO4 MVI-100-8	3354062	20	460V	~3	6" 300#	363	90	98	61.1	101.57	48.51	48.81	55.05	3579.44	22.7	99.8
CO4 MVI-100-10	3354063	25	460V	~3	6" 300#	363	90	98	61.1	101.57	48.51	49.57	60.1	3885.74	28.8	118.2
CO4 MVI-100-8	3354551	20	575V	~3	6" 300#	363	90	98	65.1	101.57	48.51	48.82	55.05	3128.43	18.2	86.6
CO4 MVI-100-10	3354552	25	575V	~3	6" 300#	363	90	98	89.1	101.57	48.51	53.56	60.1	3678.86	23	103.8