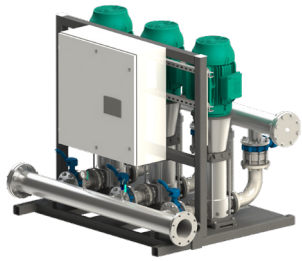


Submittal Data Sheet

Wilo-CO MVI - NSF 61/372 Pressure Boosting System

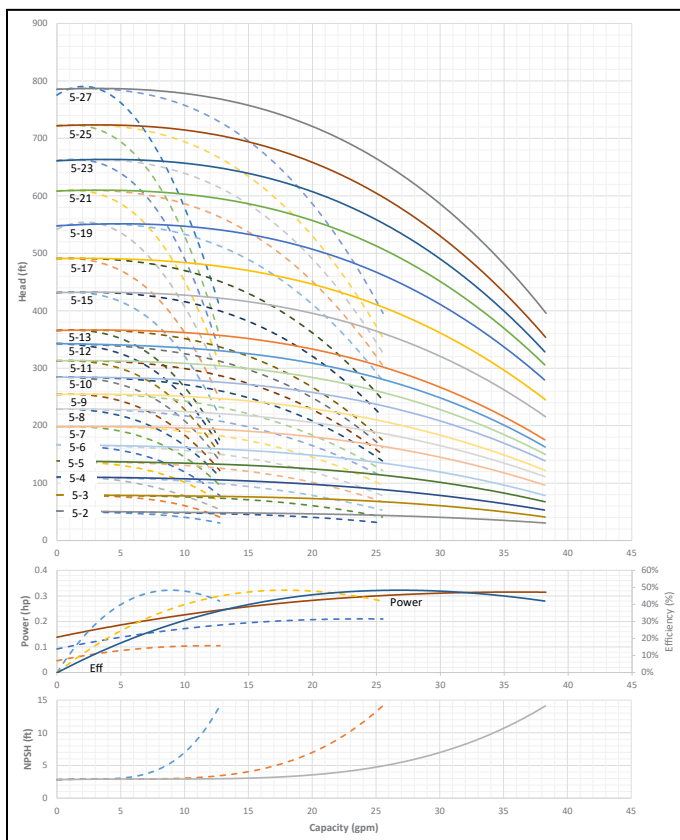


CO3 MVI-5



Project:	
Engineer:	
Contractor:	
Submitted By:	Date:
Approved By:	Date:

Tag #	Model #	Flow	BOOST PSI	Min. Inlet PSI	HP/Pump	Phase	Voltage	RPM
	CO3 MVI-5				1			3600



Applications

- Water Supply
- Agriculture
- Washing / Sprinkling Systems
- Pressure Boosting
- Cooling Circuits
- Condensate Return

Materials of Construction

Volute	AISI 304 Stainless Steel with Cast Iron ANSI flanges
Impeller	AISI 304 Stainless Steel
Shaft	ANSI 431 Stainless Steel
Elastomers	EPDM
Manifold	AISI 304 Stainless Steel
Suction Isolation Valves	150# Cast Iron Wafer Butterfly, All Stainless Steel Wetted Components
Discharge Isolation Valve	150# Cast Iron Wafer Butterfly, All Stainless Steel Wetted Components or 300# 304SS Ball Valve
Check Valve	Wafer Style, 316 Stainless Steel internals, non-slam, plunger type with EPDM seal/ cast iron body
Mechanical Seal	Frame and Springs 304SS
Pressure Transducers	¼" MNPT, 316 Stainless Steel
Pressure Gauges	¼" MNPT, 304 Stainless Steel Housing with 316 Stainless Steel wetted parts
System Base	Epoxy Coated A-500 Steel Tubing and A36 C-Channel/Plates

Technical Data - Operational Ranges

Liquid Temp Range	5°F to 248°F (Min. 32 °F for Domestic Water)
Ambient Temp Range	+32°F to +104 °F

Technical Data - Panel

Liquid Temp Range	208-230/460-3 or 575-3
Enclosure	NEMA 3R up to 20 HP NEMA 12 for 25 HP and above (NEMA 4 and 4X available upon request)
Standard	Meets UL 508A
Variable Frequency Drives	Danfoss FC-101: • 1 HP to 3 HP 208-230V~1 IN / 208-230V~3 OUT • 1 HP to 60 HP 208-230V~3 • 1 HP to 100 HP 460V~3 • 1 HP to 100 HP 575V~3

Technical Data - PLC

User Interface	7" Diagonal Color LCD Touchscreen
Display Resolution	800 x 480 Pixels
Supply Voltage	24VDC
Max. Current Consumption	320mA@24V
Number of Analog Inputs	4
Number of Analog Outputs	4
Number of Digital Inputs	18
Number of Digital Outputs	17
Onboard Communications	Modbus Protocol (Optional Gateways for BACnet, LonWorks, and CANbus)
Ethernet Port	RJ45 port capable of transmitting data 10/100Mbps
Additional Ports	2.0 USB Port; Micro-SD Port

Motor Data

Power Supply	208-230, 460, 575~3
Motor Enclosure	Totally Enclosed Fan Cooled (TEFC)
Motor Efficiency	Nema Premium Efficiency - Meets NEMA 12-12 Rule
Enclosure Construction	Rolled Steel / Cast Iron
Motor Protection Index	IP54
Insulation Class	F

Approval Stamp

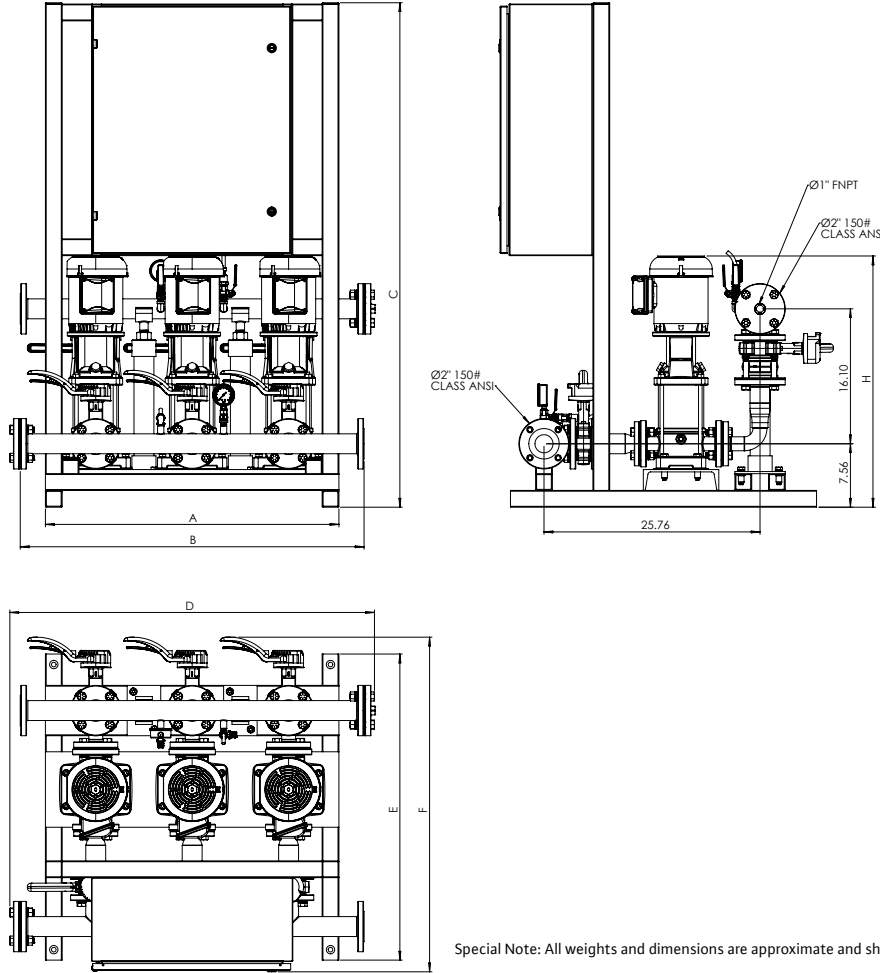
Submittal Data Sheet

Wilo-CO MVI - NSF 61/372 Pressure Boosting System



CO3 MVI-5

150# Discharge



Special Note: All weights and dimensions are approximate and should not be used as exact rough-in dimensions

CO3 MVI-5

Model	Article	HP	Voltage	Phase	System Header Size (ANSI)	Pmax (PSI)	Dimensions - Inches (in)								System Weight (Lbs)	TEFC Motor Data (Per Motor)	
							A (in)	B (in)	C (in)	D (in)	E (in)	F (in)	H (in)	Motor FLA (per pump)		System FLA	
CO3 MVI-5-2	3353053	0.33	208V-230V	~1 IN / ~3 OUT	2" 150#	363	35	41	60.16	43.47	36.5	39.87	25.62	500.72	1.33-1.2	9.4	
CO3 MVI-5-3	3353054	0.33	208V-230V	~1 IN / ~3 OUT	2" 150#	363	35	41	60.16	43.47	36.5	39.87	25.62	500.72	1.33-1.2	9.4	
CO3 MVI-5-4	3353055	0.5	208V-230V	~1 IN / ~3 OUT	2" 150#	363	35	41	60.16	43.47	36.5	39.87	26.74	509.12	1.86-1.69	9.4	
CO3 MVI-5-5	3353056	0.5	208V-230V	~1 IN / ~3 OUT	2" 150#	363	35	41	60.16	43.47	36.5	39.87	27.43	509.12	1.86-1.69	9.4	
CO3 MVI-5-6	3353057	0.75	208V-230V	~1 IN / ~3 OUT	2" 150#	363	35	41	60.16	43.47	36.5	39.87	28.14	515.12	2.5-2.26	17.8	
CO3 MVI-5-7	3353058	0.75	208V-230V	~1 IN / ~3 OUT	2" 150#	363	35	41	60.16	43.47	36.5	39.87	28.81	518.12	2.5-2.26	17.8	
CO3 MVI-5-8	3353059	1	208V-230V	~1 IN / ~3 OUT	2" 150#	363	35	41	60.16	43.47	36.5	39.87	29.12	522.62	3.32-3	17.8	
CO3 MVI-5-9	3353060	1	208V-230V	~1 IN / ~3 OUT	2" 150#	363	35	41	60.16	43.47	36.5	39.87	29.83	522.62	3.32-3	17.8	
CO3 MVI-5-10	3353061	1	208V-230V	~1 IN / ~3 OUT	2" 150#	363	35	41	60.16	43.47	36.5	39.87	30.54	525.62	3.32-3	17.8	
CO3 MVI-5-11	3353062	1.5	208V-230V	~1 IN / ~3 OUT	2" 150#	363	35	41	60.16	43.47	36.5	39.87	33.22	565.22	4.13-3.74	46.6	
CO3 MVI-5-12	3353063	1.5	208V-230V	~1 IN / ~3 OUT	2" 150#	363	35	41	60.16	43.47	36.5	39.87	33.93	568.22	4.13-3.74	46.6	
CO3 MVI-5-13	3353064	1.5	208V-230V	~1 IN / ~3 OUT	2" 150#	363	35	41	60.16	43.47	36.5	39.87	34.63	571.22	4.13-3.74	46.6	
CO3 MVI-5-15	3353065	2	208V-230V	~1 IN / ~3 OUT	2" 150#	363	35	41	60.16	43.47	36.5	39.87	36.88	592.22	5.46-4.94	46.6	
CO3 MVI-5-17	3353066	2	208V-230V	~1 IN / ~3 OUT	2" 150#	363	35	41	60.16	43.47	36.5	39.87	38.3	598.22	5.46-4.94	46.6	
CO3 MVI-5-2	3353322	0.33	208V-230V	~3	2" 150#	363	35	41	60.16	43.47	36.5	39.87	25.62	500.72	1.33-1.2	9.4	
CO3 MVI-5-3	3353323	0.33	208V-230V	~3	2" 150#	363	35	41	60.16	43.47	36.5	39.87	25.62	500.72	1.33-1.2	9.4	
CO3 MVI-5-4	3353324	0.5	208V-230V	~3	2" 150#	363	35	41	60.16	43.47	36.5	39.87	26.74	509.12	1.86-1.69	9.4	

Submittal Data Sheet

Wilo-CO MVI - NSF 61/372 Pressure Boosting System



CO3 MVI-5 150# Discharge															TEFC Motor Data (Per Motor)		
Model	Article	HP	Voltage	Phase	System Header Size (ANSI)	Pmax (PSI)	A (in)	B (in)	C (in)	Dimensions - Inches (in)					System Weight (Lbs)	Motor FLA (per pump)	System FLA
										D (in)	E (in)	F (in)	H (in)	(A)			
CO3 MVI-5-5	3353325	0.5	208V-230V	~3	2" 150#	363	35	41	60.16	43.47	36.5	39.87	27.43	509.12	1.86-1.69	9.4	
CO3 MVI-5-6	3353326	0.75	208V-230V	~3	2" 150#	363	35	41	60.16	43.47	36.5	39.87	28.14	515.12	2.5-2.26	9.4	
CO3 MVI-5-7	3353327	0.75	208V-230V	~3	2" 150#	363	35	41	60.16	43.47	36.5	39.87	28.81	518.12	2.5-2.26	9.4	
CO3 MVI-5-8	3353328	1	208V-230V	~3	2" 150#	363	35	41	60.16	43.47	36.5	39.87	29.12	522.62	3.32-3	9.4	
CO3 MVI-5-9	3353329	1	208V-230V	~3	2" 150#	363	35	41	60.16	43.47	36.5	39.87	29.83	522.62	3.32-3	9.4	
CO3 MVI-5-10	3353330	1	208V-230V	~3	2" 150#	363	35	41	60.16	43.47	36.5	39.87	30.54	525.62	3.32-3	9.4	
CO3 MVI-5-11	3353331	1.5	208V-230V	~3	2" 150#	363	35	41	60.16	43.47	36.5	39.87	33.22	565.22	4.13-3.74	21.4	
CO3 MVI-5-12	3353332	1.5	208V-230V	~3	2" 150#	363	35	41	60.16	43.47	36.5	39.87	33.93	568.22	4.13-3.74	21.4	
CO3 MVI-5-13	3353333	1.5	208V-230V	~3	2" 150#	363	35	41	60.16	43.47	36.5	39.87	34.63	571.22	4.13-3.74	21.4	
CO3 MVI-5-15	3353334	2	208V-230V	~3	2" 150#	363	35	41	60.16	43.47	36.5	39.87	36.88	592.22	5.46-4.94	21.4	
CO3 MVI-5-17	3353335	2	208V-230V	~3	2" 150#	363	35	41	60.16	43.47	36.5	39.87	38.3	598.22	5.46-4.94	21.4	
CO3 MVI-5-2	3353811	0.33	460V	~3	2" 150#	363	35	41	60.16	43.47	36.5	39.87	25.62	500.72	0.602	6.4	
CO3 MVI-5-3	3353812	0.33	460V	~3	2" 150#	363	35	41	60.16	43.47	36.5	39.87	25.62	500.72	0.602	6.4	
CO3 MVI-5-4	3353813	0.5	460V	~3	2" 150#	363	35	41	60.16	43.47	36.5	39.87	26.74	509.12	0.843	6.4	
CO3 MVI-5-5	3353814	0.5	460V	~3	2" 150#	363	35	41	60.16	43.47	36.5	39.87	27.43	509.12	0.843	6.4	
CO3 MVI-5-6	3353815	0.75	460V	~3	2" 150#	363	35	41	60.16	43.47	36.5	39.87	28.14	515.12	1.13	6.4	
CO3 MVI-5-7	3353816	0.75	460V	~3	2" 150#	363	35	41	60.16	43.47	36.5	39.87	28.81	518.12	1.13	6.4	
CO3 MVI-5-8	3353817	1	460V	~3	2" 150#	363	35	41	60.16	43.47	36.5	39.87	29.12	522.62	1.5	6.4	
CO3 MVI-5-9	3353818	1	460V	~3	2" 150#	363	35	41	60.16	43.47	36.5	39.87	29.83	522.62	1.5	6.4	
CO3 MVI-5-10	3353819	1	460V	~3	2" 150#	363	35	41	60.16	43.47	36.5	39.87	30.54	525.62	1.5	6.4	
CO3 MVI-5-11	3353820	1.5	460V	~3	2" 150#	363	35	41	60.16	43.47	36.5	39.87	33.22	565.22	1.87	11.2	
CO3 MVI-5-12	3353821	1.5	460V	~3	2" 150#	363	35	41	60.16	43.47	36.5	39.87	33.93	568.22	1.87	11.2	
CO3 MVI-5-13	3353822	1.5	460V	~3	2" 150#	363	35	41	60.16	43.47	36.5	39.87	34.63	571.22	1.87	11.2	
CO3 MVI-5-15	3353823	2	460V	~3	2" 150#	363	35	41	60.16	43.47	36.5	39.87	36.88	592.22	2.47	11.2	
CO3 MVI-5-17	3353824	2	460V	~3	2" 150#	363	35	41	60.16	43.47	36.5	39.87	38.3	598.22	2.47	11.2	
CO3 MVI-5-2	3354300	0.33	575V	~3	2" 150#	363	35	41	60.16	43.47	36.5	39.87	25.62	507.6	0.482	11.5	
CO3 MVI-5-3	3354301	0.33	575V	~3	2" 150#	363	35	41	60.16	43.47	36.5	39.87	25.62	507.6	0.482	11.5	
CO3 MVI-5-4	3354302	0.5	575V	~3	2" 150#	363	35	41	60.16	43.47	36.5	39.87	26.73	516	0.674	11.5	
CO3 MVI-5-5	3354303	0.5	575V	~3	2" 150#	363	35	41	60.16	43.47	36.5	39.87	27.43	516	0.674	11.5	
CO3 MVI-5-6	3354304	0.75	575V	~3	2" 150#	363	35	41	60.16	43.47	36.5	39.87	28.14	522	0.904	11.5	
CO3 MVI-5-7	3354305	0.75	575V	~3	2" 150#	363	35	41	60.16	43.47	36.5	39.87	28.81	525	0.904	11.5	
CO3 MVI-5-8	3354306	1	575V	~3	2" 150#	363	35	41	60.16	43.47	36.5	39.87	29.12	529.5	1.2	11.5	
CO3 MVI-5-9	3354307	1	575V	~3	2" 150#	363	35	41	60.16	43.47	36.5	39.87	29.83	529.5	1.2	11.5	
CO3 MVI-5-10	3354308	1	575V	~3	2" 150#	363	35	41	60.16	43.47	36.5	39.87	30.54	532.5	1.2	11.5	
CO3 MVI-5-11	3354309	1.5	575V	~3	2" 150#	363	35	41	60.16	43.47	36.5	39.87	33.22	572.1	1.5	11.5	
CO3 MVI-5-12	3354310	1.5	575V	~3	2" 150#	363	35	41	60.16	43.47	36.5	39.87	33.93	575.1	1.5	11.5	
CO3 MVI-5-13	3354311	1.5	575V	~3	2" 150#	363	35	41	60.16	43.47	36.5	39.87	34.63	578.1	1.5	11.5	
CO3 MVI-5-15	3354312	2	575V	~3	2" 150#	363	35	41	60.16	43.47	36.5	39.87	36.88	599.1	1.98	11.5	
CO3 MVI-5-17	3354313	2	575V	~3	2" 150#	363	35	41	60.16	43.47	36.5	39.87	38.3	605.1	1.98	11.5	

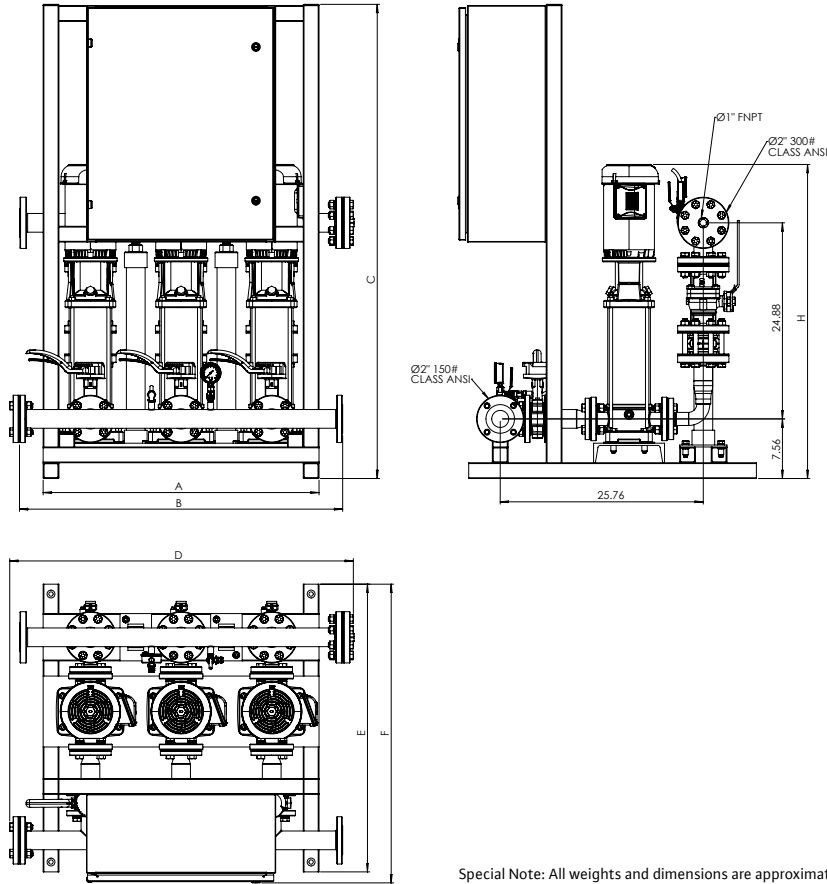
Submittal Data Sheet

Wilo-CO MVI - NSF 61/372 Pressure Boosting System



CO3 MVI-5

300# Discharge



Special Note: All weights and dimensions are approximate and should not be used as exact rough-in dimensions

CO3 MVI-5

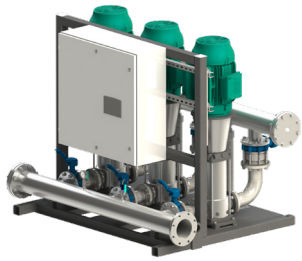
Model	Article	HP	Voltage	Phase	System Header Size (ANSI)	Pmax (PSI)	Dimensions - Inches (in)								System Weight (Lbs)	TEFC Motor Data (Per Motor)	
							A (in)	B (in)	C (in)	D (in)	E (in)	F (in)	H (in)	Motor FLA (per pump)		System FLA	
CO3 MVI-5-19	3353067	2	208V-230V	~1 IN / ~3 OUT	2" 300#	363	35	41	60.16	43.59	36.5	37.89	39.72	682.25	5.46-4.94	46.6	
CO3 MVI-5-21	3353068	3	208V-230V	~1 IN / ~3 OUT	2" 300#	363	44	48.75	60.16	51.34	36.5	37.89	43.67	860.35	8.12-7.34	46.6	
CO3 MVI-5-23	3353069	3	208V-230V	~1 IN / ~3 OUT	2" 300#	363	44	48.75	60.16	51.34	36.5	37.89	45.09	866.35	8.12-7.34	46.6	
CO3 MVI-5-25	3353070	3	208V-230V	~1 IN / ~3 OUT	2" 300#	363	44	48.75	60.16	51.34	36.5	37.89	46.5	869.35	8.12-7.34	46.6	
CO3 MVI-5-27	3353071	3	208V-230V	~1 IN / ~3 OUT	2" 300#	363	44	48.75	60.16	51.34	36.5	37.89	47.92	875.35	8.12-7.34	46.6	
CO3 MVI-5-19	3353336	2	208V-230V	~3	2" 300#	363	35	41	60.16	43.59	36.5	37.89	39.72	682.25	5.46-4.94	21.4	
CO3 MVI-5-21	3353337	3	208V-230V	~3	2" 300#	363	44	48.75	60.16	51.34	36.5	37.89	43.67	860.35	8.12-7.34	29.8	
CO3 MVI-5-23	3353338	3	208V-230V	~3	2" 300#	363	44	48.75	60.16	51.34	36.5	37.89	45.09	866.35	8.12-7.34	29.8	
CO3 MVI-5-25	3353339	3	208V-230V	~3	2" 300#	363	44	48.75	60.16	51.34	36.5	37.89	46.5	869.35	8.12-7.34	29.8	
CO3 MVI-5-27	3353340	3	208V-230V	~3	2" 300#	363	44	48.75	60.16	51.34	36.5	37.89	47.92	875.35	8.12-7.34	29.8	
CO3 MVI-5-19	3353825	2	460V	~3	2" 300#	363	35	41	60.16	43.59	36.5	37.89	39.72	682.25	2.47	11.2	
CO3 MVI-5-21	3353826	3	460V	~3	2" 300#	363	44	48.75	60.16	51.34	36.5	37.89	43.67	860.35	3.67	15.4	
CO3 MVI-5-23	3353827	3	460V	~3	2" 300#	363	44	48.75	60.16	51.34	36.5	37.89	45.09	866.35	3.67	15.4	
CO3 MVI-5-25	3353828	3	460V	~3	2" 300#	363	44	48.75	60.16	51.34	36.5	37.89	46.5	869.35	3.67	15.4	
CO3 MVI-5-27	3353829	3	460V	~3	2" 300#	363	44	48.75	60.16	51.34	36.5	37.89	47.92	875.35	3.67	15.4	
CO3 MVI-5-19	3354314	2	575V	~3	2" 300#	363	35	41	60.16	43.59	36.5	37.89	39.72	683.63	1.98	11.5	
CO3 MVI-5-21	3354315	3	575V	~3	2" 300#	363	44	48.75	60.16	51.34	36.5	37.89	43.67	862.32	2.9	11.5	
CO3 MVI-5-23	3354316	3	575V	~3	2" 300#	363	44	48.75	60.16	51.34	36.5	37.89	45.09	868.32	2.9	11.5	
CO3 MVI-5-25	3354317	3	575V	~3	2" 300#	363	44	48.75	60.16	51.34	36.5	37.89	46.5	871.32	2.9	11.5	
CO3 MVI-5-27	3354318	3	575V	~3	2" 300#	363	44	48.75	60.16	51.34	36.5	37.89	47.92	877.32	2.9	11.5	

Submittal Data Sheet

Wilco-CO MVI - NSF 61/372 Pressure Boosting System

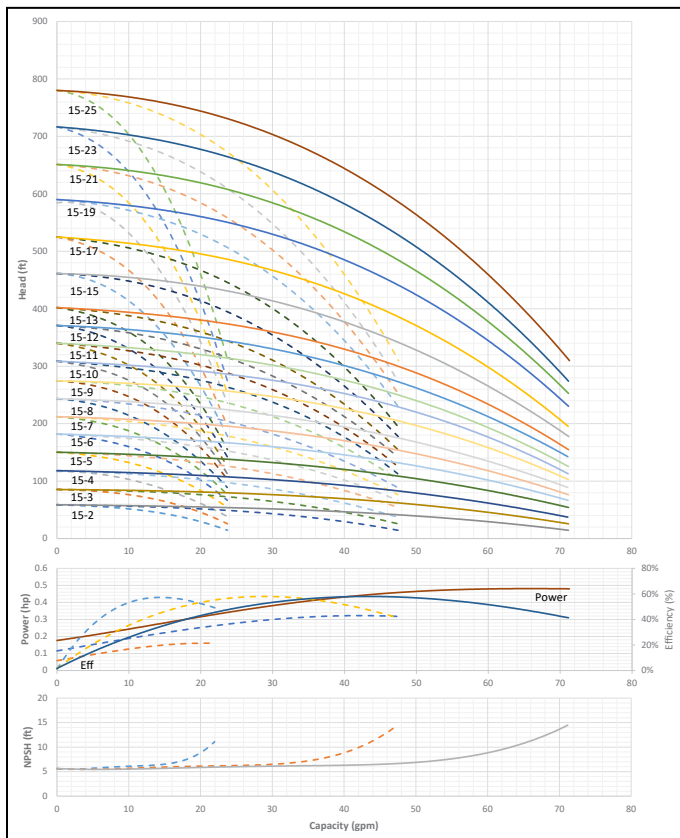


CO3 MVI-15



Project:	
Engineer:	
Contractor:	
Submitted By:	Date:
Approved By:	Date:

Tag #	Model #	Flow	BOOST PSI	Min. Inlet PSI	HP/Pump	Phase	Voltage	RPM
	CO3 MVI-15				1			3600



Applications

- Water Supply
- Agriculture
- Washing / Sprinkling Systems
- Pressure Boosting
- Cooling Circuits
- Condensate Return

Materials of Construction

Volute	AISI 304 Stainless Steel with Cast Iron ANSI flanges
Impeller	AISI 304 Stainless Steel
Shaft	ANSI 431 Stainless Steel
Elastomers	EPDM
Manifold	AISI 304 Stainless Steel
Suction Isolation Valves	150# Cast Iron Wafer Butterfly, All Stainless Steel Wetted Components
Discharge Isolation Valve	150# Cast Iron Wafer Butterfly, All Stainless Steel Wetted Components or 300# 304SS Ball Valve
Check Valve	Wafer Style, 316 Stainless Steel internals, non-slam, plunger type with EPDM seal/ cast iron body
Mechanical Seal	Frame and Springs 304SS
Pressure Transducers	¼" MNPT, 316 Stainless Steel
Pressure Gauges	¼" MNPT, 304 Stainless Steel Housing with 316 Stainless Steel wetted parts
System Base	Epoxy Coated A-500 Steel Tubing and A36 C-Channel/Plates

Technical Data - Operational Ranges

Liquid Temp Range	5°F to 248°F (Min. 32 °F for Domestic Water)
Ambient Temp Range	+32°F to +104 °F

Technical Data - Panel

Liquid Temp Range	208-230/460-3 or 575-3
Enclosure	NEMA 3R up to 20 HP NEMA 12 for 25 HP and above (NEMA 4 and 4X available upon request)
Standard	Meets UL 508A
Variable Frequency Drives	Danfoss FC-101: • 1 HP to 3 HP 208-230V-1 IN / 208-230V-3 OUT • 1 HP to 60 HP 208-230V-3 • 1 HP to 100 HP 460V-3 • 1 HP to 100 HP 575V-3

Technical Data - PLC

User Interface	7" Diagonal Color LCD Touchscreen
Display Resolution	800 x 480 Pixels
Supply Voltage	24VDC
Max. Current Consumption	320mA@24V
Number of Analog Inputs	4
Number of Analog Outputs	4
Number of Digital Inputs	18
Number of Digital Outputs	17
Onboard Communications	Modbus Protocol (Optional Gateways for BACnet, LonWorks, and CANbus)
Ethernet Port	RJ45 port capable of transmitting data 10/100Mbps
Additional Ports	2.0 USB Port; Micro-SD Port

Motor Data

Power Supply	208-230, 460, 575-3
Motor Enclosure	Totally Enclosed Fan Cooled (TEFC)
Motor Efficiency	Nema Premium Efficiency - Meets NEMA 12-12 Rule
Enclosure Construction	Rolled Steel / Cast Iron
Motor Protection Index	IP54
Insulation Class	F

Approval Stamp

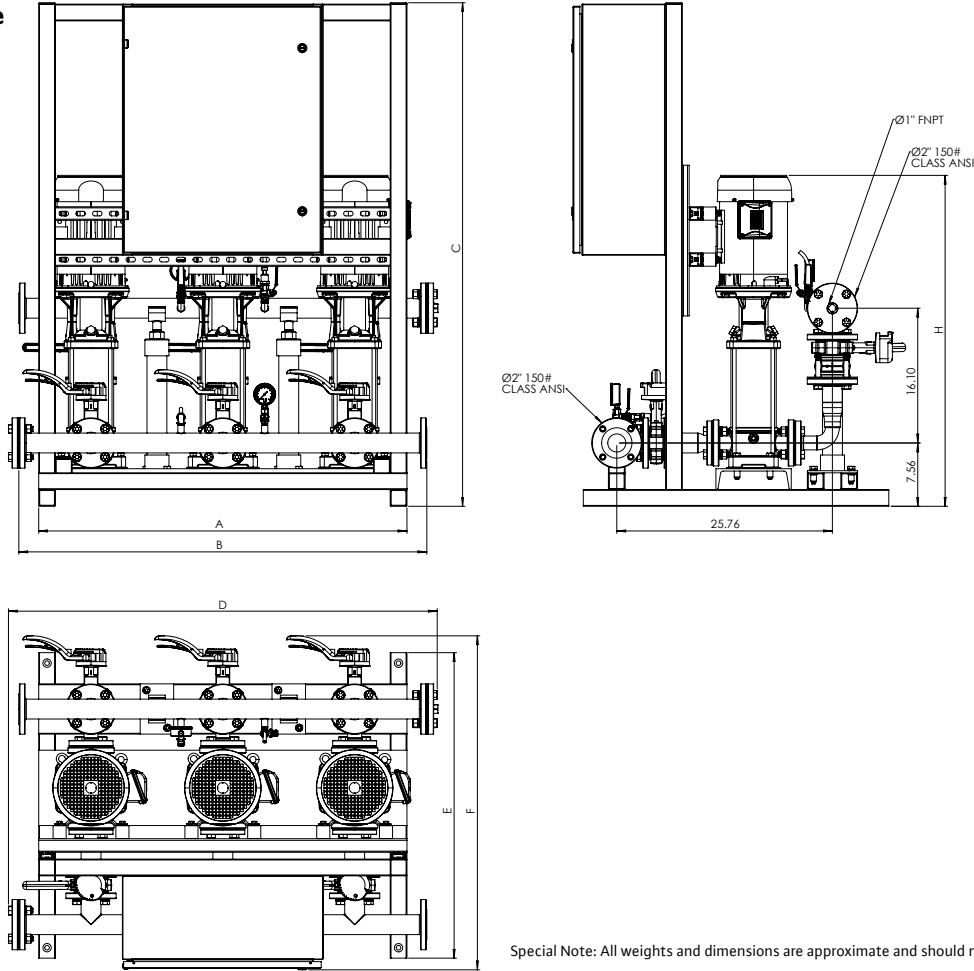
Submittal Data Sheet

Wilo-CO MVI - NSF 61/372 Pressure Boosting System



CO3 MVI-15

150# Discharge



Special Note: All weights and dimensions are approximate and should not be used as exact rough-in dimensions

CO3 MVI-15

Model	Article	HP	Voltage	Phase	System Header Size (ANSI)	Pmax (PSI)	Dimensions - Inches (in)								TEFC Motor Data (Per Motor)	
							A (in)	B (in)	C (in)	D (in)	E (in)	F (in)	H (in)	System Weight (Lbs)	Motor FLA (per pump)	System FLA
CO3 MVI-15-2	3353072	0.33	208V-230V	~1 IN/~3 OUT	2" 150#	363	35	41	60.16	43.47	36.5	39.87	25.62	500.72	1.33-1.2	9.4
CO3 MVI-15-3	3353073	0.5	208V-230V	~1 IN/~3 OUT	2" 150#	363	35	41	60.16	43.47	36.5	39.87	26.02	506.12	1.86-1.69	9.4
CO3 MVI-15-4	3353074	0.75	208V-230V	~1 IN/~3 OUT	2" 150#	363	35	41	60.16	43.47	36.5	39.87	26.73	512.12	2.5-2.26	17.8
CO3 MVI-15-5	3353075	0.75	208V-230V	~1 IN/~3 OUT	2" 150#	363	35	41	60.16	43.47	36.5	39.87	27.4	512.12	2.5-2.26	17.8
CO3 MVI-15-6	3353076	1	208V-230V	~1 IN/~3 OUT	2" 150#	363	35	41	60.16	43.47	36.5	39.87	27.7	516.62	3.32-3	17.8
CO3 MVI-15-7	3353077	1.5	208V-230V	~1 IN/~3 OUT	2" 150#	363	35	41	60.16	43.47	36.5	39.87	30.38	556.22	4.13-3.74	46.6
CO3 MVI-15-8	3353078	1.5	208V-230V	~1 IN/~3 OUT	2" 150#	363	35	41	60.16	43.47	36.5	39.87	31.09	559.22	4.13-3.74	46.6
CO3 MVI-15-9	3353079	1.5	208V-230V	~1 IN/~3 OUT	2" 150#	363	35	41	60.16	43.47	36.5	39.87	31.84	559.22	4.13-3.74	46.6
CO3 MVI-15-10	3353080	2	208V-230V	~1 IN/~3 OUT	2" 150#	363	35	41	60.16	43.47	36.5	39.87	33.34	580.22	5.46-4.94	46.6
CO3 MVI-15-11	3353081	2	208V-230V	~1 IN/~3 OUT	2" 150#	363	35	41	60.16	43.47	36.5	39.87	34.05	583.22	5.46-4.94	46.6
CO3 MVI-15-12	3353082	2	208V-230V	~1 IN/~3 OUT	2" 150#	363	35	41	60.16	43.47	36.5	39.87	34.76	586.22	5.46-4.94	46.6
CO3 MVI-15-13	3353083	3	208V-230V	~1 IN/~3 OUT	2" 150#	363	44	48.75	60.16	51.22	36.5	39.87	38	762.29	8.12-7.34	46.6
CO3 MVI-15-15	3353084	3	208V-230V	~1 IN/~3 OUT	2" 150#	363	44	48.75	60.16	51.22	36.5	39.87	39.42	765.29	8.12-7.34	46.6
CO3 MVI-15-17	3353085	3	208V-230V	~1 IN/~3 OUT	2" 150#	363	44	48.75	60.16	51.22	36.5	39.87	40.83	771.29	8.12-7.34	46.6
CO3 MVI-15-2	3353341	0.33	208V-230V	~3	2" 150#	363	35	41	60.16	43.47	36.5	39.87	25.62	500.72	1.33-1.2	9.4
CO3 MVI-15-3	3353342	0.5	208V-230V	~3	2" 150#	363	35	41	60.16	43.47	36.5	39.87	26.02	506.12	1.86-1.69	9.4
CO3 MVI-15-4	3353343	0.75	208V-230V	~3	2" 150#	363	35	41	60.16	43.47	36.5	39.87	26.73	512.12	2.5-2.26	9.4

Submittal Data Sheet

Wilo-CO MVI - NSF 61/372 Pressure Boosting System



CO3 MVI-15 150# Discharge																TEFC Motor Data (Per Motor)	
																Motor FLA (per pump)	System FLA
																Dimensions - Inches (in)	
Model	Article	HP	Voltage	Phase	System Header Size (ANSI)	Pmax (PSI)	A (in)	B (in)	C (in)	D (in)	E (in)	F (in)	H (in)	System Weight (Lbs)	(A)		
CO3 MVI-15-5	3353344	0.75	208V-230V	~3	2" 150#	363	35	41	60.16	43.47	36.5	39.87	27.4	512.12	2.5-2.26	9.4	
CO3 MVI-15-6	3353345	1	208V-230V	~3	2" 150#	363	35	41	60.16	43.47	36.5	39.87	27.7	516.62	3.32-3	9.4	
CO3 MVI-15-7	3353346	1.5	208V-230V	~3	2" 150#	363	35	41	60.16	43.47	36.5	39.87	30.38	556.22	4.13-3.74	21.4	
CO3 MVI-15-8	3353347	1.5	208V-230V	~3	2" 150#	363	35	41	60.16	43.47	36.5	39.87	31.09	559.22	4.13-3.74	21.4	
CO3 MVI-15-9	3353348	1.5	208V-230V	~3	2" 150#	363	35	41	60.16	43.47	36.5	39.87	31.84	559.22	4.13-3.74	21.4	
CO3 MVI-15-10	3353349	2	208V-230V	~3	2" 150#	363	35	41	60.16	43.47	36.5	39.87	33.34	580.22	5.46-4.94	21.4	
CO3 MVI-15-11	3353350	2	208V-230V	~3	2" 150#	363	35	41	60.16	43.47	36.5	39.87	34.05	583.22	5.46-4.94	21.4	
CO3 MVI-15-12	3353351	2	208V-230V	~3	2" 150#	363	35	41	60.16	43.47	36.5	39.87	34.76	586.22	5.46-4.94	21.4	
CO3 MVI-15-13	3353352	3	208V-230V	~3	2" 150#	363	44	48.75	60.16	51.22	36.5	39.87	38	762.29	8.12-7.34	29.8	
CO3 MVI-15-15	3353353	3	208V-230V	~3	2" 150#	363	44	48.75	60.16	51.22	36.5	39.87	39.42	765.29	8.12-7.34	29.8	
CO3 MVI-15-17	3353354	3	208V-230V	~3	2" 150#	363	44	48.75	60.16	51.22	36.5	39.87	40.83	771.29	8.12-7.34	29.8	
CO3 MVI-15-2	3353830	0.33	460V	~3	2" 150#	363	35	41	60.16	43.47	36.5	39.87	25.62	500.72	0.602	6.4	
CO3 MVI-15-3	3353831	0.5	460V	~3	2" 150#	363	35	41	60.16	43.47	36.5	39.87	26.02	506.12	0.843	6.4	
CO3 MVI-15-4	3353832	0.75	460V	~3	2" 150#	363	35	41	60.16	43.47	36.5	39.87	26.73	512.12	1.13	6.4	
CO3 MVI-15-5	3353833	0.75	460V	~3	2" 150#	363	35	41	60.16	43.47	36.5	39.87	27.4	512.12	1.13	6.4	
CO3 MVI-15-6	3353834	1	460V	~3	2" 150#	363	35	41	60.16	43.47	36.5	39.87	27.7	516.62	1.5	6.4	
CO3 MVI-15-7	3353835	1.5	460V	~3	2" 150#	363	35	41	60.16	43.47	36.5	39.87	30.38	556.22	1.87	11.2	
CO3 MVI-15-8	3353836	1.5	460V	~3	2" 150#	363	35	41	60.16	43.47	36.5	39.87	31.09	559.22	1.87	11.2	
CO3 MVI-15-9	3353837	1.5	460V	~3	2" 150#	363	35	41	60.16	43.47	36.5	39.87	31.84	559.22	1.87	11.2	
CO3 MVI-15-10	3353838	2	460V	~3	2" 150#	363	35	41	60.16	43.47	36.5	39.87	33.34	580.22	2.47	11.2	
CO3 MVI-15-11	3353839	2	460V	~3	2" 150#	363	35	41	60.16	43.47	36.5	39.87	34.05	583.22	2.47	11.2	
CO3 MVI-15-12	3353840	2	460V	~3	2" 150#	363	35	41	60.16	43.47	36.5	39.87	34.76	586.22	2.47	11.2	
CO3 MVI-15-13	3353841	3	460V	~3	2" 150#	363	44	48.75	60.16	51.22	36.5	39.87	38	762.29	3.67	15.4	
CO3 MVI-15-15	3353842	3	460V	~3	2" 150#	363	44	48.75	60.16	51.22	36.5	39.87	39.42	765.29	3.67	15.4	
CO3 MVI-15-17	3353843	3	460V	~3	2" 150#	363	44	48.75	60.16	51.22	36.5	39.87	40.83	771.29	3.67	15.4	
CO3 MVI-15-2	3354319	0.33	575V	~3	2" 150#	363	35	41	60.16	43.47	36.5	39.87	25.62	502.1	0.482	11.5	
CO3 MVI-15-3	3354320	0.5	575V	~3	2" 150#	363	35	41	60.16	43.47	36.5	39.87	26.02	507.5	0.674	11.5	
CO3 MVI-15-4	3354321	0.75	575V	~3	2" 150#	363	35	41	60.16	43.47	36.5	39.87	26.73	513.5	0.904	11.5	
CO3 MVI-15-5	3354322	0.75	575V	~3	2" 150#	363	35	41	60.16	43.47	36.5	39.87	27.4	513.5	0.904	11.5	
CO3 MVI-15-6	3354323	1	575V	~3	2" 150#	363	35	41	60.16	43.47	36.5	39.87	27.7	518	1.2	11.5	
CO3 MVI-15-7	3354324	1.5	575V	~3	2" 150#	363	35	41	60.16	43.47	36.5	39.87	30.38	557.6	1.5	11.5	
CO3 MVI-15-8	3354325	1.5	575V	~3	2" 150#	363	35	41	60.16	43.47	36.5	39.87	31.09	560.6	1.5	11.5	
CO3 MVI-15-9	3354326	1.5	575V	~3	2" 150#	363	35	41	60.16	43.47	36.5	39.87	31.84	560.6	1.5	11.5	
CO3 MVI-15-10	3354327	2	575V	~3	2" 150#	363	35	41	60.16	43.47	36.5	39.87	33.34	581.6	1.98	11.5	
CO3 MVI-15-11	3354328	2	575V	~3	2" 150#	363	35	41	60.16	43.47	36.5	39.87	34.05	584.6	1.98	11.5	
CO3 MVI-15-12	3354329	2	575V	~3	2" 150#	363	35	41	60.16	43.47	36.5	39.87	34.76	587.6	1.98	11.5	
CO3 MVI-15-13	3354330	3	575V	~3	2" 150#	363	44	48.75	60.16	51.22	36.5	39.87	38	764.26	2.9	11.5	
CO3 MVI-15-15	3354331	3	575V	~3	2" 150#	363	44	48.75	60.16	51.22	36.5	39.87	39.42	767.26	2.9	11.5	
CO3 MVI-15-17	3354332	3	575V	~3	2" 150#	363	44	48.75	60.16	51.22	36.5	39.87	40.83	773.26	2.9	11.5	

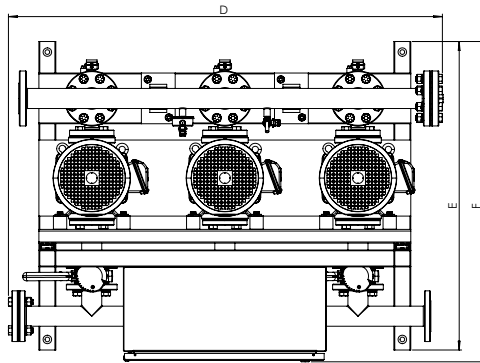
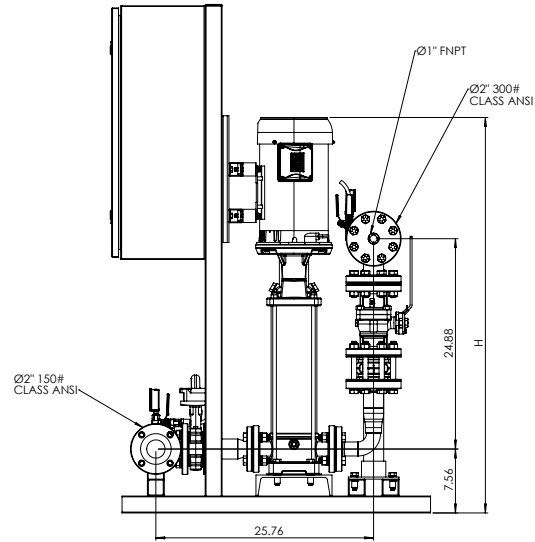
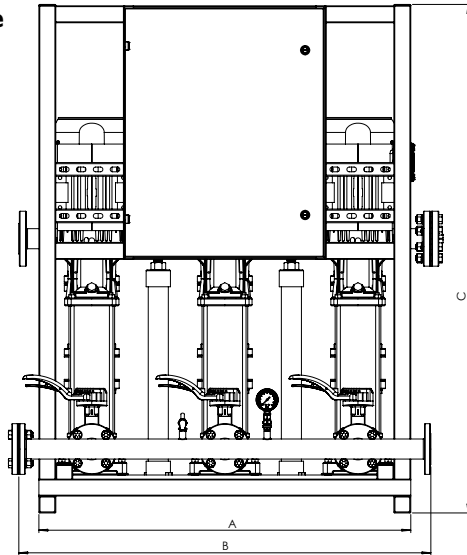
Submittal Data Sheet

Wilo-CO MVI - NSF 61/372 Pressure Boosting System



CO3 MVI-15

300# Discharge



Special Note: All weights and dimensions are approximate and should not be used as exact rough-in dimensions

CO3 MVI-15

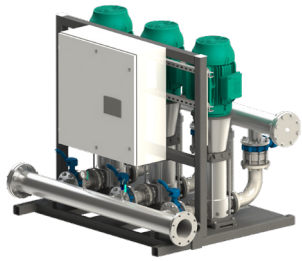
Model	Article	HP	Voltage	Phase	System Header Size (ANSI)	Pmax (PSI)	Dimensions - Inches (in)								System Weight (Lbs)	TEFC Motor Data (Per Motor)	
							A (in)	B (in)	C (in)	D (in)	E (in)	F (in)	H (in)	Motor FLA (per pump)		System FLA	
CO3 MVI-15-19	3353086	3	208V-230V	~1 IN/~3 OUT	2" 300#	363	44	48.75	60.16	51.34	36.5	37.89	42.44	854.35	8.12-7.34	46.6	
CO3 MVI-15-19	3353355	3	208V-230V	~3	2" 300#	363	44	48.75	60.16	51.34	36.5	37.89	42.44	854.35	8.12-7.34	29.8	
CO3 MVI-15-21	3353356	5	208V-230V	~3	2" 300#	363	44	48.75	60.16	51.34	36.5	37.89	45.25	905.95	13.1-11.8	46.6	
CO3 MVI-15-23	3353357	5	208V-230V	~3	2" 300#	363	44	48.75	60.16	51.34	36.5	37.89	46.67	911.95	13.1-11.8	46.6	
CO3 MVI-15-25	3353358	5	208V-230V	~3	2" 300#	363	44	48.75	60.16	51.34	36.5	37.89	48.08	914.95	13.1-11.8	46.6	
CO3 MVI-15-19	3353844	3	460V	~3	2" 300#	363	44	48.75	60.16	51.34	36.5	37.89	42.44	854.35	3.67	15.4	
CO3 MVI-15-21	3353845	5	460V	~3	2" 300#	363	44	48.75	60.16	51.34	36.5	37.89	45.25	905.95	5.9	25.6	
CO3 MVI-15-23	3353846	5	460V	~3	2" 300#	363	44	48.75	60.16	51.34	36.5	37.89	46.67	911.95	5.9	25.6	
CO3 MVI-15-25	3353847	5	460V	~3	2" 300#	363	44	48.75	60.16	51.34	36.5	37.89	48.08	914.95	5.9	25.6	
CO3 MVI-15-19	3354333	3	575V	~3	2" 300#	363	44	48.75	60.16	51.34	36.5	37.89	42.44	856.32	2.9	11.5	
CO3 MVI-15-21	3354334	5	575V	~3	2" 300#	363	44	48.75	60.16	51.34	36.5	37.89	45.25	907.62	4.72	17.8	
CO3 MVI-15-23	3354335	5	575V	~3	2" 300#	363	44	48.75	60.16	51.34	36.5	37.89	46.67	913.62	4.72	17.8	
CO3 MVI-15-25	3354336	5	575V	~3	2" 300#	363	44	48.75	60.16	51.34	36.5	37.89	48.08	916.62	4.72	17.8	

Submittal Data Sheet

Wilco-CO MVI - NSF 61/372 Pressure Boosting System

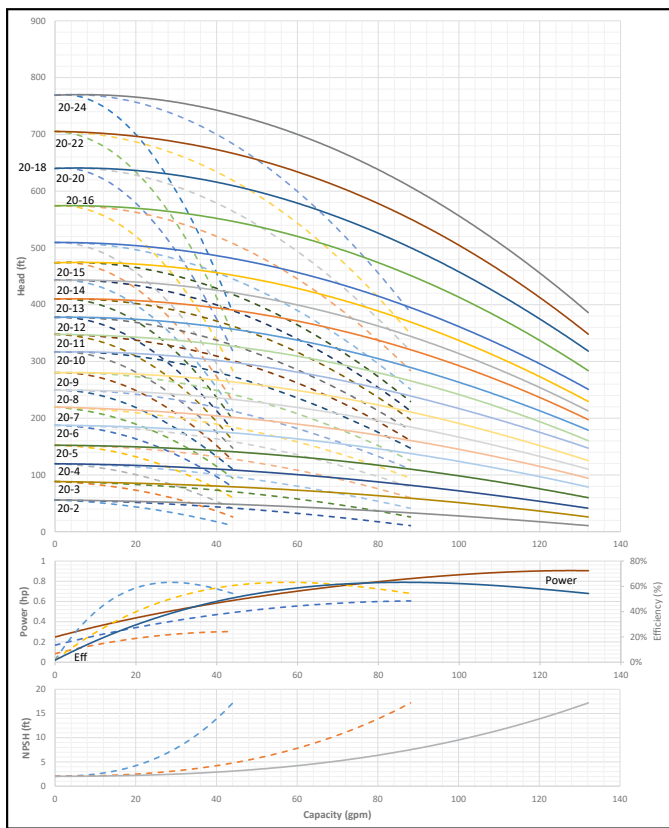


CO3 MVI-20



Project:	
Engineer:	
Contractor:	
Submitted By:	Date:
Approved By:	Date:

Tag #	Model #	Flow	BOOST PSI	Min. Inlet PSI	HP/Pump	Phase	Voltage	RPM
	CO3 MVI-20				1			3600



Applications

- Water Supply
- Agriculture
- Washing / Sprinkling Systems
- Pressure Boosting
- Cooling Circuits
- Condensate Return

Materials of Construction

Volute	AISI 304 Stainless Steel with Cast Iron ANSI flanges
Impeller	AISI 304 Stainless Steel
Shaft	ANSI 431 Stainless Steel
Elastomers	EPDM
Manifold	AISI 304 Stainless Steel
Suction Isolation Valves	150# Cast Iron Wafer Butterfly, All Stainless Steel Wetted Components
Discharge Isolation Valve	150# Cast Iron Wafer Butterfly, All Stainless Steel Wetted Components or 300# 304SS Ball Valve
Check Valve	Wafer Style, 316 Stainless Steel internals, non-slam, plunger type with EPDM seal/ cast iron body
Mechanical Seal	Frame and Springs 304SS
Pressure Transducers	¼" MNPT, 316 Stainless Steel
Pressure Gauges	¼" MNPT, 304 Stainless Steel Housing with 316 Stainless Steel wetted parts
System Base	Epoxy Coated A-500 Steel Tubing and A36 C-Channel/Plates

Technical Data - Operational Ranges

Liquid Temp Range	5°F to 248°F (Min. 32 °F for Domestic Water)
Ambient Temp Range	+32°F to +104 °F

Technical Data - Panel

Liquid Temp Range	208-230/460~3 or 575~3
Enclosure	NEMA 3R up to 20 HP NEMA 12 for 25 HP and above (NEMA 4 and 4X available upon request)
Standard	Meets UL 508A
Variable Frequency Drives	Danfoss FC-101: • 1 HP to 3 HP 208-230V~1 IN / 208-230V~3 OUT • 1 HP to 60 HP 208-230V~3 • 1 HP to 100 HP 460V~3 • 1 HP to 100 HP 575V~3

Technical Data - PLC

User Interface	7" Diagonal Color LCD Touchscreen
Display Resolution	800 x 480 Pixels
Supply Voltage	24VDC
Max. Current Consumption	320mA@24V
Number of Analog Inputs	4
Number of Analog Outputs	4
Number of Digital Inputs	18
Number of Digital Outputs	17
Onboard Communications	Modbus Protocol (Optional Gateways for BACnet, LonWorks, and CANbus)
Ethernet Port	RJ45 port capable of transmitting data 10/100Mbps
Additional Ports	2.0 USB Port; Micro-SD Port

Motor Data

Power Supply	208-230, 460, 575~3
Motor Enclosure	Totally Enclosed Fan Cooled (TEFC)
Motor Efficiency	Nema Premium Efficiency - Meets NEMA 12-12 Rule
Enclosure Construction	Rolled Steel / Cast Iron
Motor Protection Index	IP54
Insulation Class	F

Approval Stamp

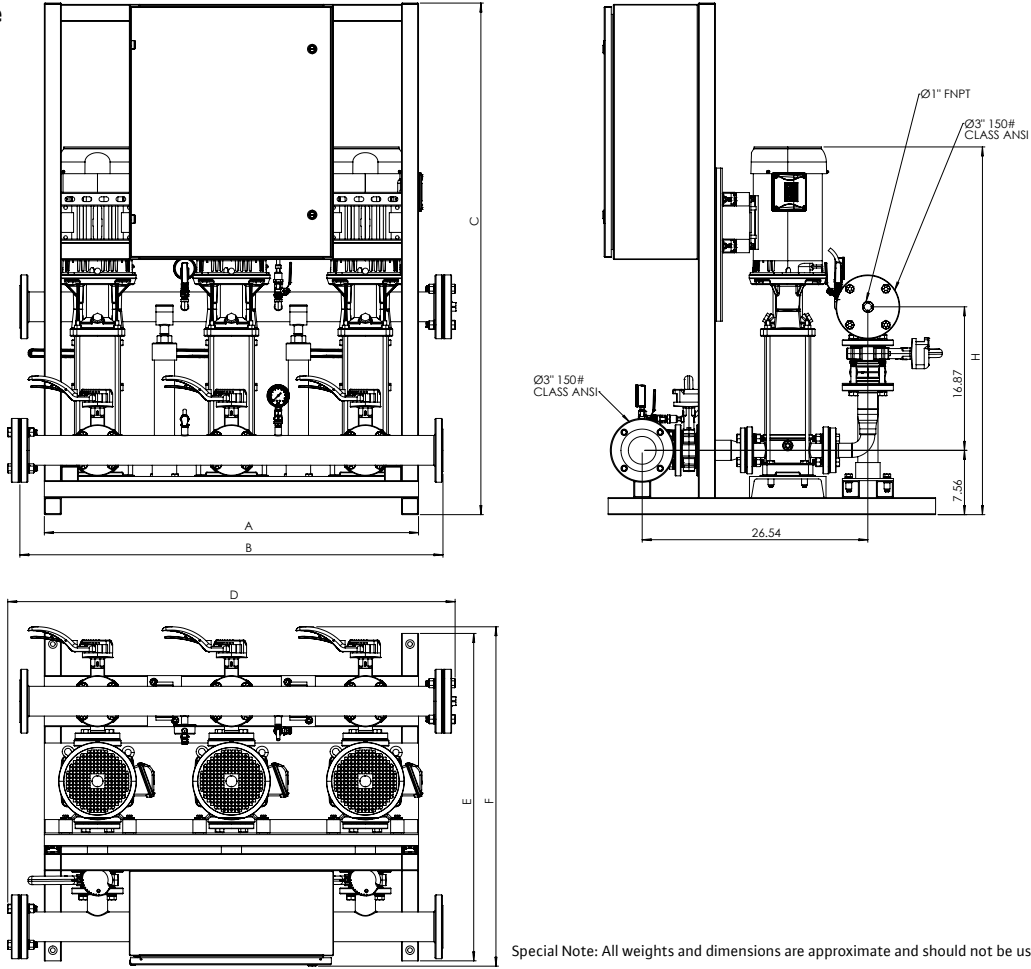
Submittal Data Sheet

Wilo-CO MVI - NSF 61/372 Pressure Boosting System



CO3 MVI-20

150# Discharge



Special Note: All weights and dimensions are approximate and should not be used as exact rough-in dimensions

CO3 MVI-20

CO3 MVI-20														TEFC Motor Data (Per Motor)		
Dimensions - Inches (in)														Motor FLA (per pump)	System FLA	
Model	Article	HP	Voltage	Phase	System Header Size (ANSI)	Pmax (PSI)	A (in)	B (in)	C (in)	D (in)	E (in)	F (in)	H (in)	System Weight (Lbs)	(A)	
CO3 MVI-20-2	3353087	0.75	208V-230V	~1 IN / ~3 OUT	3" 150#	363	35	39.75	60.16	42.6	38.5	39.87	25.97	522.94	2.5-2.26	17.8
CO3 MVI-20-3	3353088	1	208V-230V	~1 IN / ~3 OUT	3" 150#	363	35	39.75	60.16	42.6	38.5	39.87	26.67	530.44	3.32-3	17.8
CO3 MVI-20-4	3353089	1.5	208V-230V	~1 IN / ~3 OUT	3" 150#	363	35	39.75	60.16	42.6	38.5	39.87	29.64	570.04	4.13-3.74	46.6
CO3 MVI-20-5	3353090	1.5	208V-230V	~1 IN / ~3 OUT	3" 150#	363	35	39.75	60.16	42.6	38.5	39.87	30.74	573.04	4.13-3.74	46.6
CO3 MVI-20-6	3353091	2	208V-230V	~1 IN / ~3 OUT	3" 150#	363	35	39.75	60.16	42.6	38.5	39.87	32.63	594.04	5.46-4.94	46.6
CO3 MVI-20-7	3353092	2	208V-230V	~1 IN / ~3 OUT	3" 150#	363	35	39.75	60.16	42.6	38.5	39.87	33.73	597.04	5.46-4.94	46.6
CO3 MVI-20-8	3353093	3	208V-230V	~1 IN / ~3 OUT	3" 150#	363	44	49.75	60.16	52.6	38.5	39.12	37.34	773.59	8.12-7.34	46.6
CO3 MVI-20-9	3353094	3	208V-230V	~1 IN / ~3 OUT	3" 150#	363	44	49.75	60.16	52.6	38.5	39.12	38.34	779.59	8.12-7.34	46.6
CO3 MVI-20-10	3353095	3	208V-230V	~1 IN / ~3 OUT	3" 150#	363	44	49.75	60.16	52.6	38.5	39.12	39.44	782.59	8.12-7.34	46.6
CO3 MVI-20-2	3353359	0.75	208V-230V	~3	3" 150#	363	35	39.75	60.16	42.6	38.5	39.87	25.97	522.94	2.5-2.26	9.4
CO3 MVI-20-3	3353360	1	208V-230V	~3	3" 150#	363	35	39.75	60.16	42.6	38.5	39.87	26.67	530.44	3.32-3	9.4
CO3 MVI-20-4	3353361	1.5	208V-230V	~3	3" 150#	363	35	39.75	60.16	42.6	38.5	39.87	29.64	570.04	4.13-3.74	21.4
CO3 MVI-20-5	3353362	1.5	208V-230V	~3	3" 150#	363	35	39.75	60.16	42.6	38.5	39.87	30.74	573.04	4.13-3.74	21.4
CO3 MVI-20-6	3353363	2	208V-230V	~3	3" 150#	363	35	39.75	60.16	42.6	38.5	39.87	32.63	594.04	5.46-4.94	21.4
CO3 MVI-20-7	3353364	2	208V-230V	~3	3" 150#	363	35	39.75	60.16	42.6	38.5	39.87	33.73	597.04	5.46-4.94	21.4
CO3 MVI-20-8	3353365	3	208V-230V	~3	3" 150#	363	44	49.75	60.16	52.6	38.5	39.12	37.34	773.59	8.12-7.34	29.8
CO3 MVI-20-9	3353366	3	208V-230V	~3	3" 150#	363	44	49.75	60.16	52.6	38.5	39.12	38.34	779.59	8.12-7.34	29.8

Submittal Data Sheet

Wilco-CO MVI - NSF 61/372 Pressure Boosting System



CO3 MVI-20 150# Discharge															TEFC Motor Data (Per Motor)	
Model	Article	HP	Voltage	Phase	System Header Size (ANSI)	Pmax (PSI)	Dimensions - Inches (in)							System Weight (Lbs)	Motor FLA (per pump)	System FLA
							A (in)	B (in)	C (in)	D (in)	E (in)	F (in)	H (in)		(A)	
CO3 MVI-20-10	3353367	3	208V-230V	~3	3" 150#	363	44	49.75	60.16	52.6	38.5	39.12	39.44	782.59	8.12-7.34	29.8
CO3 MVI-20-11	3353368	5	208V-230V	~3	3" 150#	363	44	49.75	60.16	52.6	38.5	39.12	42.02	831.19	13.1-11.8	46.6
CO3 MVI-20-12	3353369	5	208V-230V	~3	3" 150#	363	44	49.75	60.16	52.6	38.5	39.12	43.12	834.19	13.1-11.8	46.6
CO3 MVI-20-13	3353370	5	208V-230V	~3	3" 150#	363	44	49.75	60.16	52.6	38.5	39.12	44.22	837.19	13.1-11.8	46.6
CO3 MVI-20-14	3353371	5	208V-230V	~3	3" 150#	363	44	49.75	60.16	52.6	38.5	39.12	45.22	840.19	13.1-11.8	46.6
CO3 MVI-20-15	3353372	5	208V-230V	~3	3" 150#	363	44	49.75	60.16	52.6	38.5	39.12	46.32	846.19	13.1-11.8	46.6
CO3 MVI-20-16	3353373	5	208V-230V	~3	3" 150#	363	44	49.75	60.16	52.6	38.5	39.12	47.42	849.19	13.1-11.8	46.6
CO3 MVI-20-2	3353848	0.75	460V	~3	3" 150#	363	35	39.75	60.16	42.6	38.5	39.87	25.97	522.94	1.13	6.4
CO3 MVI-20-3	3353849	1	460V	~3	3" 150#	363	35	39.75	60.16	42.6	38.5	39.87	26.67	530.44	1.5	6.4
CO3 MVI-20-4	3353850	1.5	460V	~3	3" 150#	363	35	39.75	60.16	42.6	38.5	39.87	29.64	570.04	1.87	11.2
CO3 MVI-20-5	3353851	1.5	460V	~3	3" 150#	363	35	39.75	60.16	42.6	38.5	39.87	30.74	573.04	1.87	11.2
CO3 MVI-20-6	3353852	2	460V	~3	3" 150#	363	35	39.75	60.16	42.6	38.5	39.87	32.63	594.04	2.47	11.2
CO3 MVI-20-7	3353853	2	460V	~3	3" 150#	363	35	39.75	60.16	42.6	38.5	39.87	33.73	597.04	2.47	11.2
CO3 MVI-20-8	3353854	3	460V	~3	3" 150#	363	44	49.75	60.16	52.6	38.5	39.12	37.34	773.59	3.67	15.4
CO3 MVI-20-9	3353855	3	460V	~3	3" 150#	363	44	49.75	60.16	52.6	38.5	39.12	38.34	779.59	3.67	15.4
CO3 MVI-20-10	3353856	3	460V	~3	3" 150#	363	44	49.75	60.16	52.6	38.5	39.12	39.44	782.59	3.67	15.4
CO3 MVI-20-11	3353857	5	460V	~3	3" 150#	363	44	49.75	60.16	52.6	38.5	39.12	42.02	831.19	5.9	25.6
CO3 MVI-20-12	3353858	5	460V	~3	3" 150#	363	44	49.75	60.16	52.6	38.5	39.12	43.12	834.19	5.9	25.6
CO3 MVI-20-13	3353859	5	460V	~3	3" 150#	363	44	49.75	60.16	52.6	38.5	39.12	44.22	837.19	5.9	25.6
CO3 MVI-20-14	3353860	5	460V	~3	3" 150#	363	44	49.75	60.16	52.6	38.5	39.12	45.22	840.19	5.9	25.6
CO3 MVI-20-15	3353861	5	460V	~3	3" 150#	363	44	49.75	60.16	52.6	38.5	39.12	46.32	846.19	5.9	25.6
CO3 MVI-20-16	3353862	5	460V	~3	3" 150#	363	44	49.75	60.16	52.6	38.5	39.12	47.42	849.19	5.9	25.6
CO3 MVI-20-2	3354337	0.75	575V	~3	3" 150#	363	35	39.75	60.16	42.6	38.5	39.87	25.97	524.32	0.904	11.5
CO3 MVI-20-3	3354338	1	575V	~3	3" 150#	363	35	39.75	60.16	42.6	38.5	39.87	26.67	531.82	1.2	11.5
CO3 MVI-20-4	3354339	1.5	575V	~3	3" 150#	363	35	39.75	60.16	42.6	38.5	39.87	29.64	571.42	1.5	11.5
CO3 MVI-20-5	3354340	1.5	575V	~3	3" 150#	363	35	39.75	60.16	42.6	38.5	39.87	30.74	574.42	1.5	11.5
CO3 MVI-20-6	3354341	2	575V	~3	3" 150#	363	35	39.75	60.16	42.6	38.5	39.87	32.63	595.42	1.98	11.5
CO3 MVI-20-7	3354342	2	575V	~3	3" 150#	363	35	39.75	60.16	42.6	38.5	39.87	33.73	598.42	1.98	11.5
CO3 MVI-20-8	3354343	3	575V	~3	3" 150#	363	44	49.75	60.16	52.6	38.5	39.12	37.34	775.57	2.9	11.5
CO3 MVI-20-9	3354344	3	575V	~3	3" 150#	363	44	49.75	60.16	52.6	38.5	39.12	38.34	781.57	2.9	11.5
CO3 MVI-20-10	3354345	3	575V	~3	3" 150#	363	44	49.75	60.16	52.6	38.5	39.12	39.44	784.57	2.9	11.5
CO3 MVI-20-11	3354346	5	575V	~3	3" 150#	363	44	49.75	60.16	52.6	38.5	39.12	42.02	832.87	4.72	17.8
CO3 MVI-20-12	3354347	5	575V	~3	3" 150#	363	44	49.75	60.16	52.6	38.5	39.12	43.12	835.87	4.72	17.8
CO3 MVI-20-13	3354348	5	575V	~3	3" 150#	363	44	49.75	60.16	52.6	38.5	39.12	44.22	838.87	4.72	17.8
CO3 MVI-20-14	3354349	5	575V	~3	3" 150#	363	44	49.75	60.16	52.6	38.5	39.12	45.22	841.87	4.72	17.8
CO3 MVI-20-15	3354350	5	575V	~3	3" 150#	363	44	49.75	60.16	52.6	38.5	39.12	46.32	847.87	4.72	17.8
CO3 MVI-20-16	3354351	5	575V	~3	3" 150#	363	44	49.75	60.16	52.6	38.5	39.12	47.42	850.87	4.72	17.8

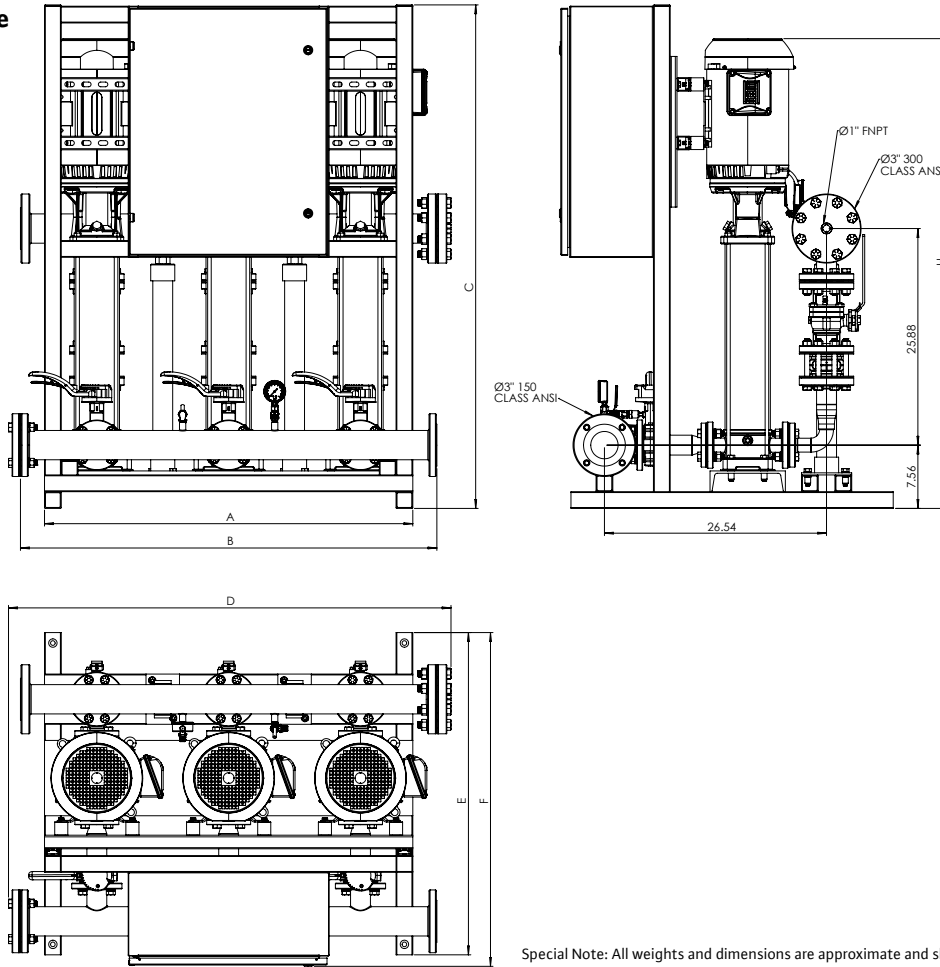
Submittal Data Sheet

Wilo-CO MVI - NSF 61/372 Pressure Boosting System



CO3 MVI-20

300# Discharge



Special Note: All weights and dimensions are approximate and should not be used as exact rough-in dimensions

CO3 MVI-20

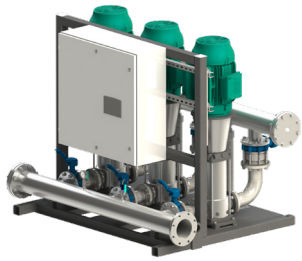
Model	Article	HP	Voltage	Phase	System Header Size (ANSI)	Pmax (PSI)	Dimensions - Inches (in)								TEFC Motor Data (Per Motor)	
							A (in)	B (in)	C (in)	D (in)	E (in)	F (in)	H (in)	System Weight (Lbs)	Motor FLA (per pump)	System FLA
CO3 MVI-20-18	3353374	7.5	208V-230V	~3	3" 300#	363	44	49.75	60.16	52.86	38.5	39.87	51.81	1111.96	19.2-17.3	64-55
CO3 MVI-20-20	3353375	7.5	208V-230V	~3	3" 300#	363	44	49.75	60.16	52.86	38.5	39.87	53.91	1120.96	19.2-17.3	64-55
CO3 MVI-20-22	3353376	7.5	208V-230V	~3	3" 300#	363	44	49.75	60.16	52.86	38.5	39.87	56.01	1126.96	19.2-17.3	64-55
CO3 MVI-20-24	3353377	7.5	208V-230V	~3	3" 300#	363	44	49.75	60.16	52.86	38.5	39.87	58.11	1132.96	19.2-17.3	64-55
CO3 MVI-20-18	3353863	7.5	460V	~3	3" 300#	363	44	49.75	60.16	52.86	38.5	39.87	51.81	1110.59	8.67	34
CO3 MVI-20-20	3353864	7.5	460V	~3	3" 300#	363	44	49.75	60.16	52.86	38.5	39.87	53.91	1119.59	8.67	34
CO3 MVI-20-22	3353865	7.5	460V	~3	3" 300#	363	44	49.75	60.16	52.86	38.5	39.87	56.01	1125.59	8.67	34
CO3 MVI-20-24	3353866	7.5	460V	~3	3" 300#	363	44	49.75	60.16	52.86	38.5	39.87	58.11	1131.59	8.67	34
CO3 MVI-20-18	3354352	7.5	575V	~3	3" 300#	363	44	49.75	60.16	52.86	38.5	39.87	51.81	1117.96	6.94	25.9
CO3 MVI-20-20	3354353	7.5	575V	~3	3" 300#	363	44	49.75	60.16	52.86	38.5	39.87	53.91	1126.96	6.94	25.9
CO3 MVI-20-22	3354354	7.5	575V	~3	3" 300#	363	44	49.75	60.16	52.86	38.5	39.87	56.01	1132.96	6.94	25.9
CO3 MVI-20-24	3354355	7.5	575V	~3	3" 300#	363	44	49.75	60.16	52.86	38.5	39.87	58.11	1138.96	6.94	25.9

Submittal Data Sheet

Wilo-CO MVI - NSF 61/372 Pressure Boosting System

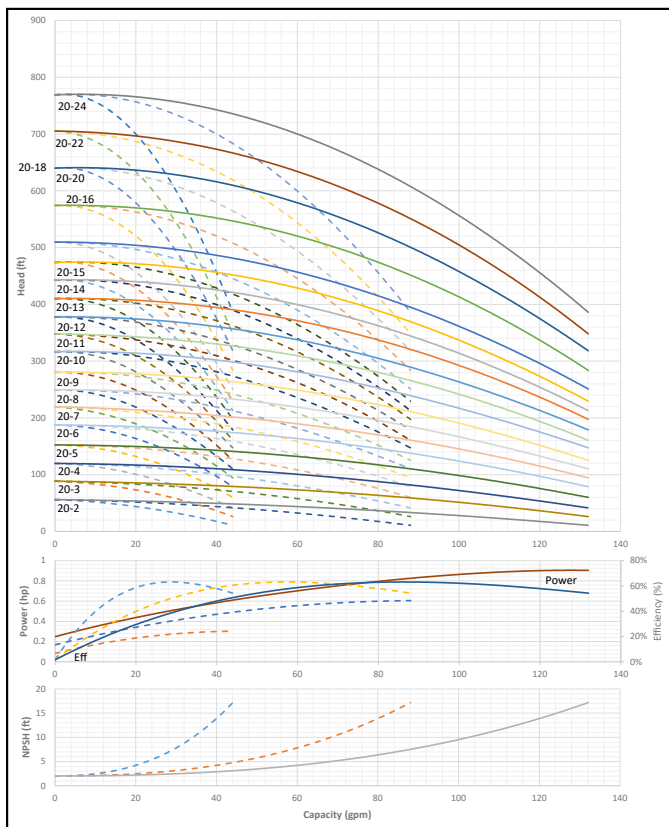


CO3 MVI-1SB-20



Project:	
Engineer:	
Contractor:	
Submitted By:	Date:
Approved By:	Date:

Tag #	Model #	Flow	BOOST PSI	Min. Inlet PSI	HP/Pump	Phase	Voltage	RPM
	CO3 MVI-1SB-20				1			3600



Applications

- Water Supply
- Agriculture
- Washing / Sprinkling Systems
- Pressure Boosting
- Cooling Circuits
- Condensate Return

Materials of Construction

Volute	AISI 304 Stainless Steel with Cast Iron ANSI flanges
Impeller	AISI 304 Stainless Steel
Shaft	ANSI 431 Stainless Steel
Elastomers	EPDM
Manifold	AISI 304 Stainless Steel
Suction Isolation Valves	150# Cast Iron Wafer Butterfly, All Stainless Steel Wetted Components
Discharge Isolation Valve	150# Cast Iron Wafer Butterfly, All Stainless Steel Wetted Components or 300# 304SS Ball Valve
Check Valve	Wafer Style, 316 Stainless Steel internals, non-slam, plunger type with EPDM seal/ cast iron body
Mechanical Seal	Frame and Springs 304SS
Pressure Transducers	¼" MNPT, 316 Stainless Steel
Pressure Gauges	¼" MNPT, 304 Stainless Steel Housing with 316 Stainless Steel wetted parts
System Base	Epoxy Coated A-500 Steel Tubing and A36 C-Channel/Plates

Technical Data - Operational Ranges

Liquid Temp Range	5°F to 248°F (Min. 32 °F for Domestic Water)
Ambient Temp Range	+32°F to +104 °F

Technical Data - Panel

Liquid Temp Range	208-230/460~3 or 575~3
Enclosure	NEMA 3R up to 20 HP NEMA 12 for 25 HP and above (NEMA 4 and 4X available upon request)
Standard	Meets UL 508A
Variable Frequency Drives	Danfoss FC-101: • 1 HP to 3 HP 208-230V~1 IN / 208-230V~3 OUT • 1 HP to 60 HP 208-230V~3 • 1 HP to 100 HP 460V~3 • 1 HP to 100 HP 575V~3

Technical Data - PLC

User Interface	7" Diagonal Color LCD Touchscreen
Display Resolution	800 x 480 Pixels
Supply Voltage	24VDC
Max. Current Consumption	320mA@24V
Number of Analog Inputs	4
Number of Analog Outputs	4
Number of Digital Inputs	18
Number of Digital Outputs	17
Onboard Communications	Modbus Protocol (Optional Gateways for BACnet, LonWorks, and CANbus)
Ethernet Port	RJ45 port capable of transmitting data 10/100Mbps
Additional Ports	2.0 USB Port; Micro-SD Port

Motor Data

Power Supply	208-230, 460, 575~3
Motor Enclosure	Totally Enclosed Fan Cooled (TEFC)
Motor Efficiency	Nema Premium Efficiency - Meets NEMA 12-12 Rule
Enclosure Construction	Rolled Steel / Cast Iron
Motor Protection Index	IP54
Insulation Class	F

Approval Stamp

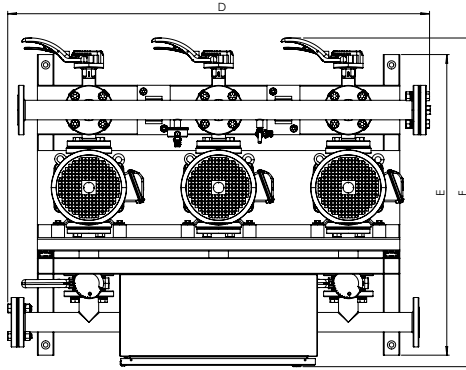
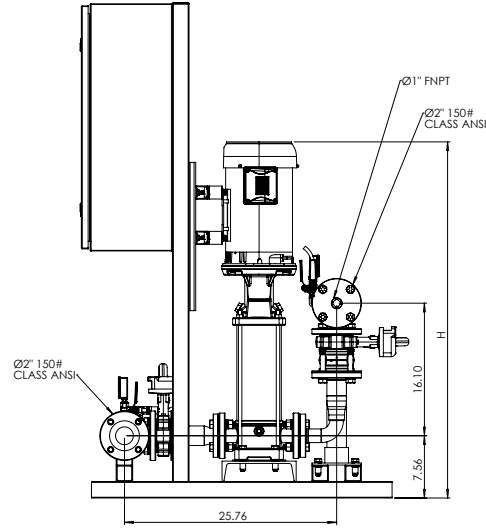
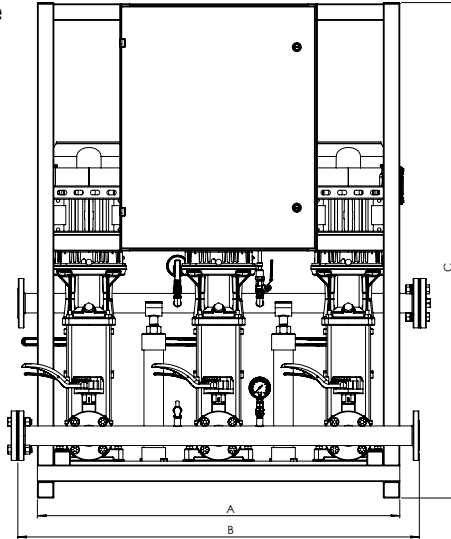
Submittal Data Sheet

Wilco-CO MVI - NSF 61/372 Pressure Boosting System



CO3 MVI-1SB-20

150# Discharge



Special Note: All weights and dimensions are approximate and should not be used as exact rough-in dimensions

CO3 MVI-1SB-20

TEFC Motor Data (Per Motor)

Model	Article	HP	Voltage	Phase	System Header Size (ANSI)	Pmax (PSI)	Dimensions - Inches (in)								System Weight (Lbs)	Motor FLA (per pump)	System FLA
							A (in)	B (in)	C (in)	D (in)	E (in)	F (in)	H (in)	(A)			
CO3 MVI-1SB-20-2	3354744	0.75	208V-230V	~1 IN/~3 OUT	2" 150#	363	35	41	60.16	43.47	36.5	39.87	25.97	506.12	2.5-2.26	17.8	
CO3 MVI-1SB-20-3	3354745	1	208V-230V	~1 IN/~3 OUT	2" 150#	363	35	41	60.16	43.47	36.5	39.87	26.67	513.62	3.32-3	17.8	
CO3 MVI-1SB-20-4	3354746	1.5	208V-230V	~1 IN/~3 OUT	2" 150#	363	35	41	60.16	43.47	36.5	39.87	29.64	553.22	4.13-3.74	46.6	
CO3 MVI-1SB-20-5	3354747	1.5	208V-230V	~1 IN/~3 OUT	2" 150#	363	35	41	60.16	43.47	36.5	39.87	30.74	556.22	4.13-3.74	46.6	
CO3 MVI-1SB-20-6	3354748	2	208V-230V	~1 IN/~3 OUT	2" 150#	363	35	41	60.16	43.47	36.5	39.87	32.63	577.22	5.46-4.94	46.6	
CO3 MVI-1SB-20-7	3354749	2	208V-230V	~1 IN/~3 OUT	2" 150#	363	35	41	60.16	43.47	36.5	39.87	33.73	580.22	5.46-4.94	46.6	
CO3 MVI-1SB-20-8	3354750	3	208V-230V	~1 IN/~3 OUT	2" 150#	363	44	48.75	60.16	51.22	36.5	39.87	37.34	756.29	8.12-7.34	46.6	
CO3 MVI-1SB-20-9	3354751	3	208V-230V	~1 IN/~3 OUT	2" 150#	363	44	48.75	60.16	51.22	36.5	39.87	38.34	762.29	8.12-7.34	46.6	
CO3 MVI-1SB-20-10	3354752	3	208V-230V	~1 IN/~3 OUT	2" 150#	363	44	48.75	60.16	51.22	36.5	39.87	39.44	765.29	8.12-7.34	46.6	
CO3 MVI-1SB-20-2	3354871	0.75	208V-230V	~3	2" 150#	363	35	41	60.16	43.47	36.5	39.87	25.97	506.12	2.5-2.26	9.4	
CO3 MVI-1SB-20-3	3354872	1	208V-230V	~3	2" 150#	363	35	41	60.16	43.47	36.5	39.87	26.67	513.62	3.32-3	9.4	
CO3 MVI-1SB-20-4	3354873	1.5	208V-230V	~3	2" 150#	363	35	41	60.16	43.47	36.5	39.87	29.64	553.22	4.13-3.74	21.4	
CO3 MVI-1SB-20-5	3354874	1.5	208V-230V	~3	2" 150#	363	35	41	60.16	43.47	36.5	39.87	30.74	556.22	4.13-3.74	21.4	
CO3 MVI-1SB-20-6	3354875	2	208V-230V	~3	2" 150#	363	35	41	60.16	43.47	36.5	39.87	32.63	577.22	5.46-4.94	21.4	
CO3 MVI-1SB-20-7	3354876	2	208V-230V	~3	2" 150#	363	35	41	60.16	43.47	36.5	39.87	33.73	580.22	5.46-4.94	21.4	
CO3 MVI-1SB-20-8	3354877	3	208V-230V	~3	2" 150#	363	44	48.75	60.16	51.22	36.5	39.87	37.34	756.29	8.12-7.34	29.8	
CO3 MVI-1SB-20-9	3354878	3	208V-230V	~3	2" 150#	363	44	48.75	60.16	51.22	36.5	39.87	38.34	762.29	8.12-7.34	29.8	

Submittal Data Sheet

Wilo-CO MVI - NSF 61/372 Pressure Boosting System



CO3 MVI-1SB-20 150# Discharge																TEFC Motor Data (Per Motor)	
																Motor FLA (per pump)	System FLA
																Dimensions - Inches (In)	
Model	Article	HP	Voltage	Phase	System Header Size (ANSI)	Pmax (PSI)	A (in)	B (in)	C (in)	D (in)	E (in)	F (in)	H (in)	System Weight (Lbs)	(A)		
CO3 MVI-1SB-20-10	3354879	3	208V-230V	-3	2" 150#	363	44	48.75	60.16	51.22	36.5	39.87	39.44	765.29	8.12-7.34	29.8	
CO3 MVI-1SB-20-11	3354880	5	208V-230V	-3	2" 150#	363	44	48.75	60.16	51.22	36.5	39.87	42.02	813.89	13.1-11.8	46.6	
CO3 MVI-1SB-20-12	3354881	5	208V-230V	-3	2" 150#	363	44	48.75	60.16	51.22	36.5	39.87	43.12	816.89	13.1-11.8	46.6	
CO3 MVI-1SB-20-13	3354882	5	208V-230V	-3	2" 150#	363	44	48.75	60.16	51.22	36.5	39.87	44.22	819.89	13.1-11.8	46.6	
CO3 MVI-1SB-20-14	3354883	5	208V-230V	-3	2" 150#	363	44	48.75	60.16	51.22	36.5	39.87	45.22	822.89	13.1-11.8	46.6	
CO3 MVI-1SB-20-15	3354884	5	208V-230V	-3	2" 150#	363	44	48.75	60.16	51.22	36.5	39.87	46.32	828.89	13.1-11.8	46.6	
CO3 MVI-1SB-20-16	3354885	5	208V-230V	-3	2" 150#	363	44	48.75	60.16	51.22	36.5	39.87	47.42	831.89	13.1-11.8	46.6	
CO3 MVI-1SB-20-2	3355161	0.75	460V	-3	2" 150#	363	35	41	60.16	43.47	36.5	39.87	25.97	506.12	1.13	6.4	
CO3 MVI-1SB-20-3	3355162	1	460V	-3	2" 150#	363	35	41	60.16	43.47	36.5	39.87	26.67	513.62	1.5	6.4	
CO3 MVI-1SB-20-4	3355163	1.5	460V	-3	2" 150#	363	35	41	60.16	43.47	36.5	39.87	29.64	553.22	1.87	11.2	
CO3 MVI-1SB-20-5	3355164	1.5	460V	-3	2" 150#	363	35	41	60.16	43.47	36.5	39.87	30.74	556.22	1.87	11.2	
CO3 MVI-1SB-20-6	3355165	2	460V	-3	2" 150#	363	35	41	60.16	43.47	36.5	39.87	32.63	577.22	2.47	11.2	
CO3 MVI-1SB-20-7	3355166	2	460V	-3	2" 150#	363	35	41	60.16	43.47	36.5	39.87	33.73	580.22	2.47	11.2	
CO3 MVI-1SB-20-8	3355167	3	460V	-3	2" 150#	363	44	48.75	60.16	51.22	36.5	39.87	37.34	756.29	3.67	15.4	
CO3 MVI-1SB-20-9	3355168	3	460V	-3	2" 150#	363	44	48.75	60.16	51.22	36.5	39.87	38.34	762.29	3.67	15.4	
CO3 MVI-1SB-20-10	3355169	3	460V	-3	2" 150#	363	44	48.75	60.16	51.22	36.5	39.87	39.44	765.29	3.67	15.4	
CO3 MVI-1SB-20-11	3355170	5	460V	-3	2" 150#	363	44	48.75	60.16	51.22	36.5	39.87	42.02	813.89	5.9	25.6	
CO3 MVI-1SB-20-12	3355171	5	460V	-3	2" 150#	363	44	48.75	60.16	51.22	36.5	39.87	43.12	816.89	5.9	25.6	
CO3 MVI-1SB-20-13	3355172	5	460V	-3	2" 150#	363	44	48.75	60.16	51.22	36.5	39.87	44.22	819.89	5.9	25.6	
CO3 MVI-1SB-20-14	3355173	5	460V	-3	2" 150#	363	44	48.75	60.16	51.22	36.5	39.87	45.22	822.89	5.9	25.6	
CO3 MVI-1SB-20-15	3355174	5	460V	-3	2" 150#	363	44	48.75	60.16	51.22	36.5	39.87	46.32	828.89	5.9	25.6	
CO3 MVI-1SB-20-16	3355175	5	460V	-3	2" 150#	363	44	48.75	60.16	51.22	36.5	39.87	47.42	831.89	5.9	25.6	
CO3 MVI-1SB-20-2	3355451	0.75	575V	-3	2" 150#	363	35	41	60.16	43.47	36.5	39.87	25.97	507.5	0.904	11.5	
CO3 MVI-1SB-20-3	3355452	1	575V	-3	2" 150#	363	35	41	60.16	43.47	36.5	39.87	26.67	515	1.2	11.5	
CO3 MVI-1SB-20-4	3355453	1.5	575V	-3	2" 150#	363	35	41	60.16	43.47	36.5	39.87	29.64	554.6	1.5	11.5	
CO3 MVI-1SB-20-5	3355454	1.5	575V	-3	2" 150#	363	35	41	60.16	43.47	36.5	39.87	30.74	557.6	1.5	11.5	
CO3 MVI-1SB-20-6	3355455	2	575V	-3	2" 150#	363	35	41	60.16	43.47	36.5	39.87	32.63	578.6	1.98	11.5	
CO3 MVI-1SB-20-7	3355456	2	575V	-3	2" 150#	363	35	41	60.16	43.47	36.5	39.87	33.73	581.6	1.98	11.5	
CO3 MVI-1SB-20-8	3355457	3	575V	-3	2" 150#	363	44	48.75	60.16	51.22	36.5	39.87	37.34	758.26	2.9	11.5	
CO3 MVI-1SB-20-9	3355458	3	575V	-3	2" 150#	363	44	48.75	60.16	51.22	36.5	39.87	38.34	764.26	2.9	11.5	
CO3 MVI-1SB-20-10	3355459	3	575V	-3	2" 150#	363	44	48.75	60.16	51.22	36.5	39.87	39.44	767.26	2.9	11.5	
CO3 MVI-1SB-20-11	3355460	5	575V	-3	2" 150#	363	44	48.75	60.16	51.22	36.5	39.87	42.02	815.56	4.72	17.8	
CO3 MVI-1SB-20-12	3355461	5	575V	-3	2" 150#	363	44	48.75	60.16	51.22	36.5	39.87	43.12	818.56	4.72	17.8	
CO3 MVI-1SB-20-13	3355462	5	575V	-3	2" 150#	363	44	48.75	60.16	51.22	36.5	39.87	44.22	821.56	4.72	17.8	
CO3 MVI-1SB-20-14	3355463	5	575V	-3	2" 150#	363	44	48.75	60.16	51.22	36.5	39.87	45.22	824.56	4.72	17.8	
CO3 MVI-1SB-20-15	3355464	5	575V	-3	2" 150#	363	44	48.75	60.16	51.22	36.5	39.87	46.32	830.56	4.72	17.8	
CO3 MVI-1SB-20-16	3355465	5	575V	-3	2" 150#	363	44	48.75	60.16	51.22	36.5	39.87	47.42	833.56	4.72	17.8	

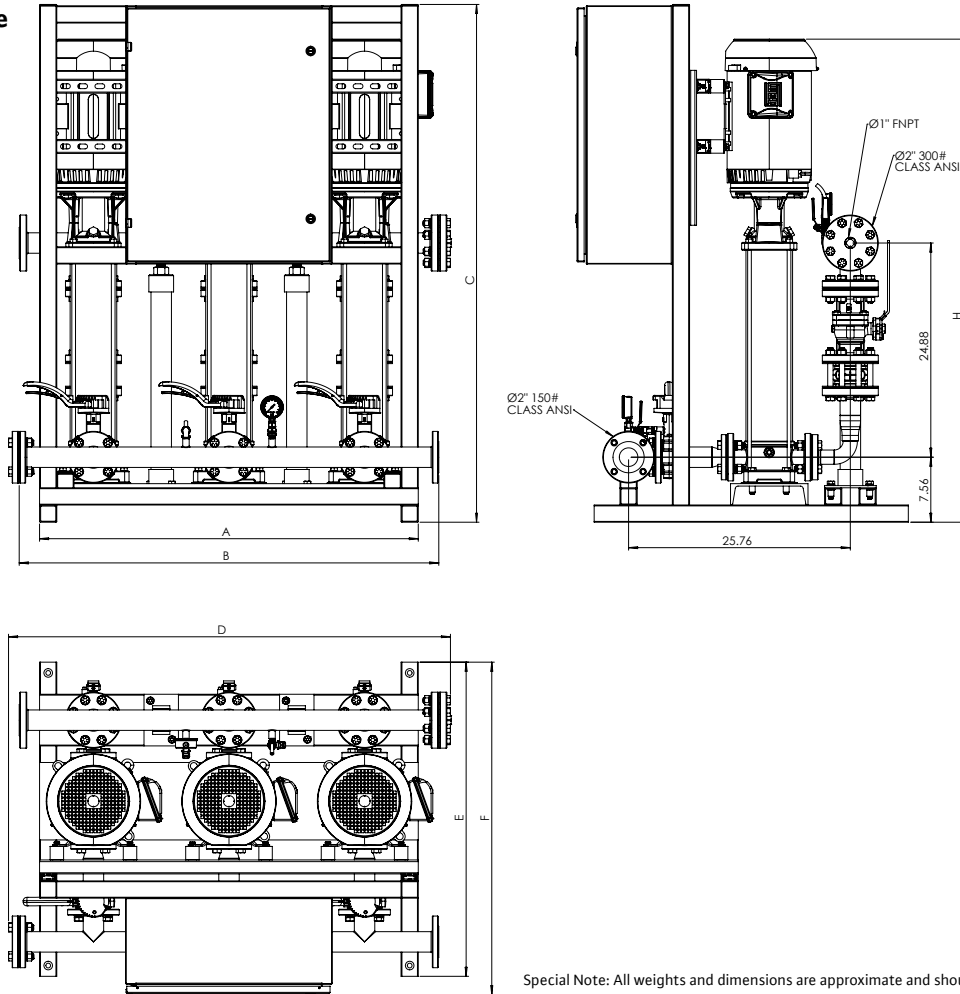
Submittal Data Sheet

Wilo-CO MVI - NSF 61/372 Pressure Boosting System



CO3 MVI-1SB-20

300# Discharge



Special Note: All weights and dimensions are approximate and should not be used as exact rough-in dimensions

CO3 MVI-1SB-20

TEFC Motor Data (Per Motor)

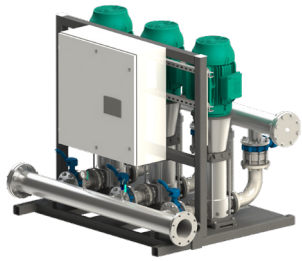
Model	Article	HP	Voltage	Phase	System Header Size (ANSI)	Pmax (PSI)	Dimensions - Inches (in)							System Weight (Lbs)	Motor FLA (per pump)	System FLA
							A (in)	B (in)	C (in)	D (in)	E (in)	F (in)	H (in)		(A)	
CO3 MVI-1SB-20-18	3354886	7.5	208V-230V	-3	2" 300#	363	44	48.75	60.16	51.34	36.5	38.64	51.81	1089.19	19.2-17.3	64-55
CO3 MVI-1SB-20-20	3354887	7.5	208V-230V	-3	2" 300#	363	44	48.75	60.16	51.34	36.5	38.64	53.91	1098.19	19.2-17.3	64-55
CO3 MVI-1SB-20-22	3354888	7.5	208V-230V	-3	2" 300#	363	44	48.75	60.16	51.34	36.5	38.64	56.01	1104.19	19.2-17.3	64-55
CO3 MVI-1SB-20-42	3354889	7.5	208V-230V	-3	2" 300#	363	44	48.75	60.16	51.34	36.5	38.64	58.11	1110.19	19.2-17.3	64-55
CO3 MVI-1SB-20-18	3355176	7.5	460V	-3	2" 300#	363	44	48.75	60.16	51.34	36.5	38.64	51.81	1087.81	8.67	34
CO3 MVI-1SB-20-20	3355177	7.5	460V	-3	2" 300#	363	44	48.75	60.16	51.34	36.5	38.64	53.91	1096.81	8.67	34
CO3 MVI-1SB-20-22	3355178	7.5	460V	-3	2" 300#	363	44	48.75	60.16	51.34	36.5	38.64	56.01	1102.81	8.67	34
CO3 MVI-1SB-20-42	3355179	7.5	460V	-3	2" 300#	363	44	48.75	60.16	51.34	36.5	38.64	58.11	1108.81	8.67	34
CO3 MVI-1SB-20-18	3355466	7.5	575V	-3	2" 300#	363	44	48.75	60.16	51.34	36.5	38.64	51.81	1095.19	6.94	25.9
CO3 MVI-1SB-20-20	3355467	7.5	575V	-3	2" 300#	363	44	48.75	60.16	51.34	36.5	38.64	53.91	1104.19	6.94	25.9
CO3 MVI-1SB-20-22	3355468	7.5	575V	-3	2" 300#	363	44	48.75	60.16	51.34	36.5	38.64	56.01	1110.19	6.94	25.9
CO3 MVI-1SB-20-42	3355469	7.5	575V	-3	2" 300#	363	44	48.75	60.16	51.34	36.5	38.64	58.11	1116.19	6.94	25.9

Submittal Data Sheet

Wilo-CO MVI - NSF 61/372 Pressure Boosting System

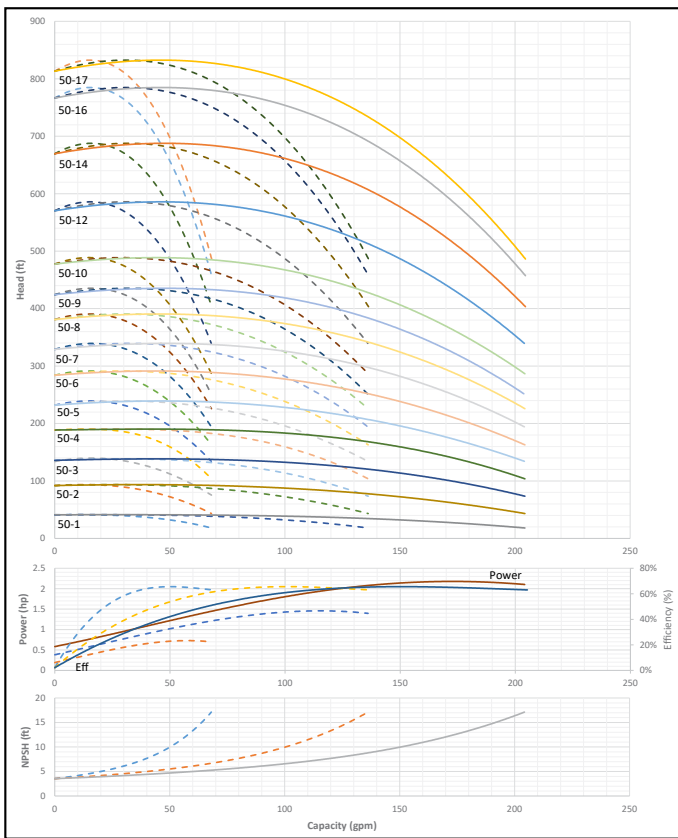


CO3 MVI-50



Project:	
Engineer:	
Contractor:	
Submitted By:	Date:
Approved By:	Date:

Tag #	Model #	Flow	BOOST PSI	Min. Inlet PSI	HP/Pump	Phase	Voltage	RPM
	CO3 MVI-50				1			3600



Applications

- Water Supply
- Pressure Boosting
- Agriculture
- Cooling Circuits
- Washing / Sprinkling Systems
- Condensate Return

Materials of Construction

Volute	AISI 304 Stainless Steel with Cast Iron ANSI flanges
Impeller	AISI 304 Stainless Steel
Shaft	ANSI 431 Stainless Steel
Elastomers	EPDM
Manifold	AISI 304 Stainless Steel
Suction Isolation Valves	150# Cast Iron Wafer Butterfly, All Stainless Steel Wetted Components
Discharge Isolation Valve	150# Cast Iron Wafer Butterfly, All Stainless Steel Wetted Components or 300# 304SS Ball Valve
Check Valve	Wafer Style, 316 Stainless Steel internals, non-slam, plunger type with EPDM seal/ cast iron body
Mechanical Seal	Frame and Springs 304SS
Pressure Transducers	¼" MNPT, 316 Stainless Steel
Pressure Gauges	¼" MNPT, 304 Stainless Steel Housing with 316 Stainless Steel wetted parts
System Base	Epoxy Coated A-500 Steel Tubing and A36 C-Channel/Plates

Technical Data - Operational Ranges

Liquid Temp Range	5°F to 248°F (Min. 32 °F for Domestic Water)
Ambient Temp Range	+32°F to +104 °F

Technical Data - Panel

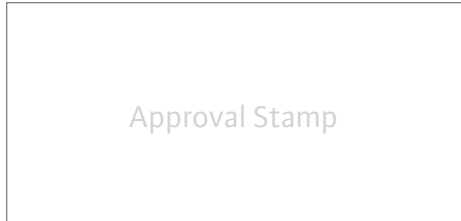
Liquid Temp Range	208-230/460-3 or 575-3
Enclosure	NEMA 3R up to 20 HP NEMA 12 for 25 HP and above (NEMA 4 and 4X available upon request)
Standard	Meets UL 508A
Variable Frequency Drives	Danfoss FC-101: • 1 HP to 3 HP 208-230V-1 IN / 208-230V-3 OUT • 1 HP to 60 HP 208-230V-3 • 1 HP to 100 HP 460V-3 • 1 HP to 100 HP 575V-3

Technical Data - PLC

User Interface	7" Diagonal Color LCD Touchscreen
Display Resolution	800 x 480 Pixels
Supply Voltage	24VDC
Max. Current Consumption	320mA@24V
Number of Analog Inputs	4
Number of Analog Outputs	4
Number of Digital Inputs	18
Number of Digital Outputs	17
Onboard Communications	Modbus Protocol (Optional Gateways for BACnet, LonWorks, and CANbus)
Ethernet Port	RJ45 port capable of transmitting data 10/100Mbps
Additional Ports	2.0 USB Port; Micro-SD Port

Motor Data

Power Supply	208-230, 460, 575-3
Motor Enclosure	Totally Enclosed Fan Cooled (TEFC)
Motor Efficiency	Nema Premium Efficiency - Meets NEMA 12-12 Rule
Enclosure Construction	Rolled Steel / Cast Iron
Motor Protection Index	IP54
Insulation Class	F



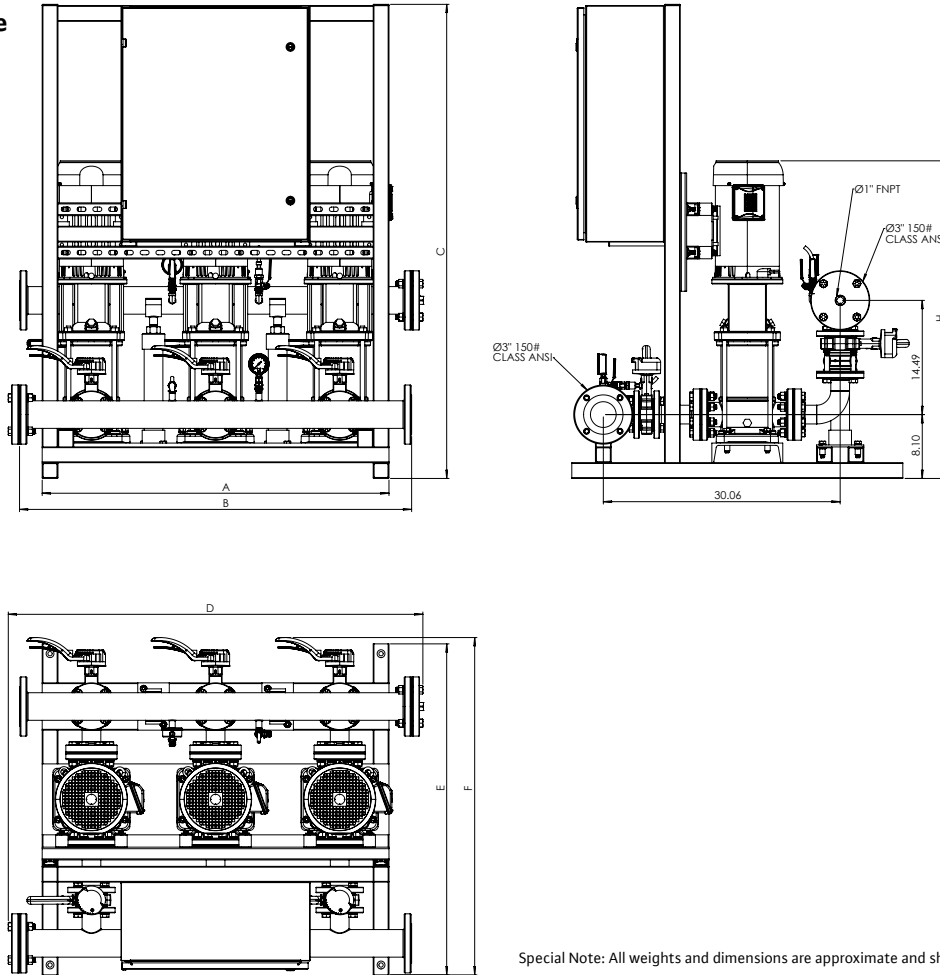
Submittal Data Sheet

Wilo-CO MVI - NSF 61/372 Pressure Boosting System



CO3 MVI-50

150# Discharge



Special Note: All weights and dimensions are approximate and should not be used as exact rough-in dimensions

CO3 MVI-50

CO3 MVI-50														TEFC Motor Data (Per Motor)		
Dimensions - Inches (in)														Motor FLA (per pump)	System FLA	
Model	Article	HP	Voltage	Phase	System Header Size (ANSI)	Pmax (PSI)	A (in)	B (in)	C (in)	D (in)	E (in)	F (in)	H (in)	System Weight (Lbs)	(A)	
CO3 MVI-50-1	3353096	0.75	208V-230V	~1 IN / ~3 OUT	3" 150#	232	35	39.75	60.16	42.6	42	42.76	28.93	642.29	2.5-2.26	17.8
CO3 MVI-50-2	3353097	1.5	208V-230V	~1 IN / ~3 OUT	3" 150#	232	35	39.75	60.16	42.6	42	42.76	30.5	680.39	4.13-3.74	46.6
CO3 MVI-50-3	3353098	3	208V-230V	~1 IN / ~3 OUT	3" 150#	232	44	49.75	60.16	52.6	42	42.76	35.09	930.08	8.12-7.34	46.6
CO3 MVI-50-4	3353099	3	208V-230V	~1 IN / ~3 OUT	3" 150#	232	44	49.75	60.16	52.6	42	42.76	36.29	939.08	8.12-7.34	46.6
CO3 MVI-50-1	3353378	0.75	208V-230V	~3	3" 150#	232	35	39.75	60.16	42.6	42	42.76	28.93	642.29	2.5-2.26	9.4
CO3 MVI-50-2	3353379	1.5	208V-230V	~3	3" 150#	232	35	39.75	60.16	42.6	42	42.76	30.5	680.39	4.13-3.74	21.4
CO3 MVI-50-3	3353380	3	208V-230V	~3	3" 150#	232	44	49.75	60.16	52.6	42	42.76	35.09	930.08	8.12-7.34	29.8
CO3 MVI-50-4	3353381	3	208V-230V	~3	3" 150#	232	44	49.75	60.16	52.6	42	42.76	36.29	939.08	8.12-7.34	29.8
CO3 MVI-50-5	3353382	5	208V-230V	~3	3" 150#	232	44	49.75	60.16	52.6	42	42.76	39.05	990.68	13.1-11.8	46.6
CO3 MVI-50-6	3353383	5	208V-230V	~3	3" 150#	232	44	49.75	60.16	52.6	42	42.76	40.23	996.68	13.1-11.8	46.6
CO3 MVI-50-7	3353384	5	208V-230V	~3	3" 150#	232	44	49.75	60.16	52.6	42	42.76	40.77	1002.68	13.1-11.8	46.6
CO3 MVI-50-8	3353385	7.5	208V-230V	~3	3" 150#	232	44	49.75	60.16	52.6	42	42.98	44.83	1187.95	19.2-17.3	64-55
CO3 MVI-50-9	3353386	7.5	208V-230V	~3	3" 150#	232	44	49.75	60.16	52.6	42	42.98	46.01	1193.95	19.2-17.3	64-55
CO3 MVI-50-10	3353387	7.5	208V-230V	~3	3" 150#	232	44	49.75	60.16	52.6	42	42.98	47.19	1199.95	19.2-17.3	64-55
CO3 MVI-50-1	3353867	0.75	460V	~3	3" 150#	232	35	39.75	60.16	42.6	42	42.76	28.93	642.29	1.13	6.4
CO3 MVI-50-2	3353868	1.5	460V	~3	3" 150#	232	35	39.75	60.16	42.6	42	42.76	30.5	680.39	1.87	11.2
CO3 MVI-50-3	3353869	3	460V	~3	3" 150#	232	44	49.75	60.16	52.6	42	42.76	35.09	930.08	3.67	15.4

Submittal Data Sheet

Wilco-CO MVI - NSF 61/372 Pressure Boosting System



CO3 MVI-50 150# Discharge															TEFC Motor Data (Per Motor)	
Model	Article	HP	Voltage	Phase	System Header Size (ANSI)	Pmax (PSI)	Dimensions - Inches (in)							System Weight (Lbs)	Motor FLA (per pump)	System FLA
							A (in)	B (in)	C (in)	D (in)	E (in)	F (in)	H (in)		(A)	
CO3 MVI-50-4	3353870	3	460V	~3	3" 150#	232	44	49.75	60.16	52.6	42	42.76	36.29	939.08	3.67	15.4
CO3 MVI-50-5	3353871	5	460V	~3	3" 150#	232	44	49.75	60.16	52.6	42	42.76	39.05	990.68	5.9	25.6
CO3 MVI-50-6	3353872	5	460V	~3	3" 150#	232	44	49.75	60.16	52.6	42	42.76	40.23	996.68	5.9	25.6
CO3 MVI-50-7	3353873	5	460V	~3	3" 150#	232	44	49.75	60.16	52.6	42	42.76	40.77	1002.68	5.9	25.6
CO3 MVI-50-8	3353874	7.5	460V	~3	3" 150#	232	44	49.75	60.16	52.6	42	42.98	44.83	1186.58	8.67	34
CO3 MVI-50-9	3353875	7.5	460V	~3	3" 150#	232	44	49.75	60.16	52.6	42	42.98	46.01	1192.58	8.67	34
CO3 MVI-50-10	3353876	7.5	460V	~3	3" 150#	232	44	49.75	60.16	52.6	42	42.98	47.19	1198.58	8.67	34
CO3 MVI-50-1	3354356	0.75	575V	~3	3" 150#	232	35	39.75	60.16	42.6	42	42.76	28.93	643.67	0.904	11.5
CO3 MVI-50-2	3354357	1.5	575V	~3	3" 150#	232	35	39.75	60.16	42.6	42	42.76	30.5	681.77	1.5	11.5
CO3 MVI-50-3	3354358	3	575V	~3	3" 150#	232	44	49.75	60.16	52.6	42	42.76	35.09	932.05	2.9	11.5
CO3 MVI-50-4	3354359	3	575V	~3	3" 150#	232	44	49.75	60.16	52.6	42	42.76	36.29	941.05	2.9	11.5
CO3 MVI-50-5	3354360	5	575V	~3	3" 150#	232	44	49.75	60.16	52.6	42	42.76	39.05	992.35	4.72	17.8
CO3 MVI-50-6	3354361	5	575V	~3	3" 150#	232	44	49.75	60.16	52.6	42	42.76	40.23	998.35	4.72	17.8
CO3 MVI-50-7	3354362	5	575V	~3	3" 150#	232	44	49.75	60.16	52.6	42	42.76	40.77	1004.35	4.72	17.8
CO3 MVI-50-8	3354363	7.5	575V	~3	3" 150#	232	44	49.75	60.16	52.6	42	42.98	44.83	1193.95	6.94	25.9
CO3 MVI-50-9	3354364	7.5	575V	~3	3" 150#	232	44	49.75	60.16	52.6	42	42.98	46.01	1199.95	6.94	25.9
CO3 MVI-50-10	3354365	7.5	575V	~3	3" 150#	232	44	49.75	60.16	52.6	42	42.98	47.19	1205.95	6.94	25.9

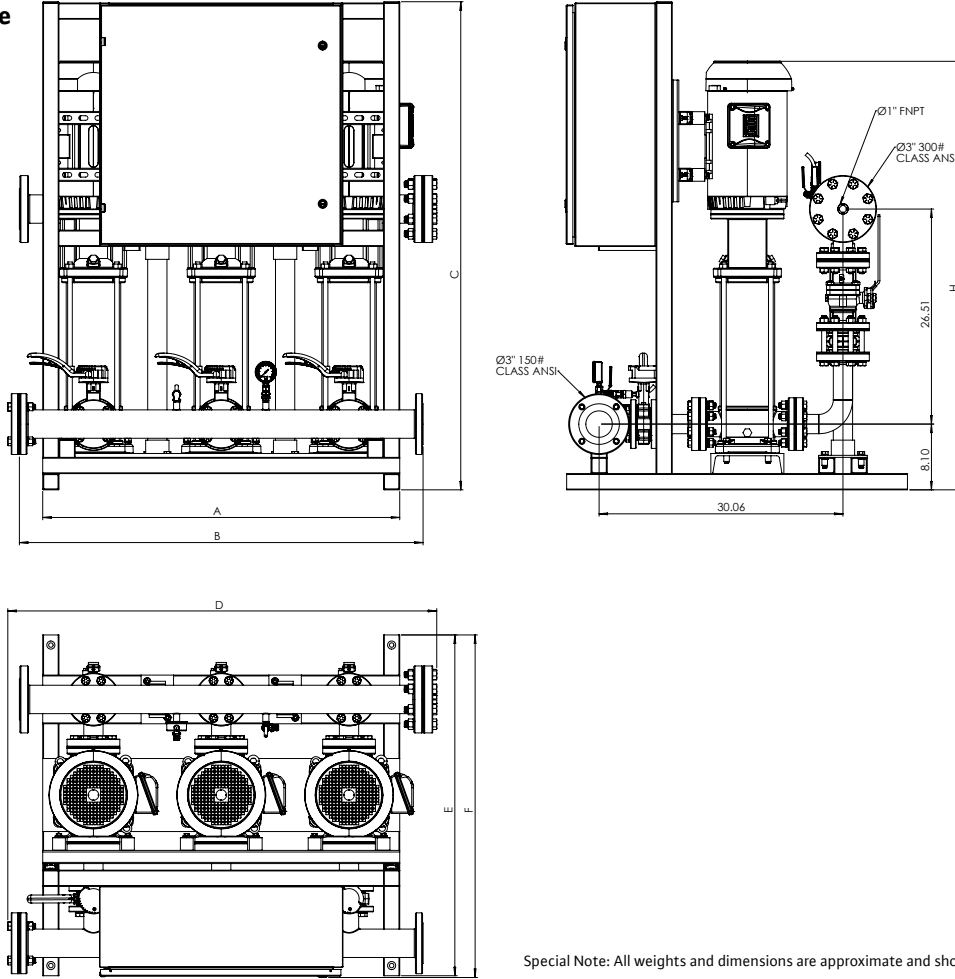
Submittal Data Sheet

Wilo-CO MVI - NSF 61/372 Pressure Boosting System



CO3 MVI-50

300# Discharge



Special Note: All weights and dimensions are approximate and should not be used as exact rough-in dimensions

CO3 MVI-50

TEFC Motor Data
(Per Motor)

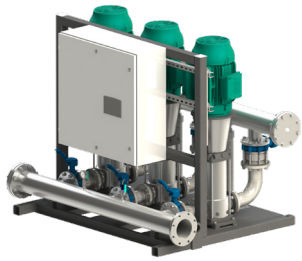
Model	Article	HP	Voltage	Phase	System Header Size (ANSI)	Pmax (PSI)	Dimensions - Inches (in)								System Weight (Lbs)	Motor FLA (per pump)		System FLA
							A (in)	B (in)	C (in)	D (in)	E (in)	F (in)	H (in)	(A)				
CO3 MVI-50-12	3353388	10	208V-230V	~3	3" 300#	363	44	49.75	60.16	52.86	42	42.22	51.1	1383.92	25.4-23	85.9-73		
CO3 MVI-50-14	3353389	10	208V-230V	~3	3" 300#	363	44	49.75	60.16	52.86	42	42.22	52.77	1398.92	25.4-23	85.9-73		
CO3 MVI-50-16	3353390	15	208V-230V	~3	3" 300#	363	62	67.75	60.16	70.86	42	45.22	61.22	2244.39	38.5-34.8	124-115.6		
CO3 MVI-50-17	3353391	15	208V-230V	~3	3" 300#	363	62	67.75	60.16	70.86	42	45.22	62.42	2253.39	38.5-34.8	124-115.6		
CO3 MVI-50-12	3353877	10	460V	~3	3" 300#	363	44	49.75	60.16	52.86	42	42.22	51.1	1382.54	11.5	43		
CO3 MVI-50-14	3353878	10	460V	~3	3" 300#	363	44	49.75	60.16	52.86	42	42.22	52.77	1397.54	11.5	43		
CO3 MVI-50-16	3353879	15	460V	~3	3" 300#	363	62	67.75	60.16	70.86	42	43.22	61.22	1976.81	17.4	56.2		
CO3 MVI-50-17	3353880	15	460V	~3	3" 300#	363	62	67.75	60.16	70.86	42	43.22	62.42	1985.81	17.4	56.2		
CO3 MVI-50-12	3354366	10	575V	~3	3" 300#	363	44	49.75	60.16	52.86	42	42.22	51.1	1395.92	9.2	35.2		
CO3 MVI-50-14	3354367	10	575V	~3	3" 300#	363	44	49.75	60.16	52.86	42	42.22	52.77	1410.92	9.2	35.2		
CO3 MVI-50-16	3354368	15	575V	~3	3" 300#	363	62	67.75	60.16	70.86	42	45.22	61.22	2137.39	13.8	48.1		
CO3 MVI-50-17	3354369	15	575V	~3	3" 300#	363	62	67.75	60.16	70.86	42	45.22	62.42	2146.39	13.8	48.1		

Submittal Data Sheet

Wilo-CO MVI - NSF 61/372 Pressure Boosting System

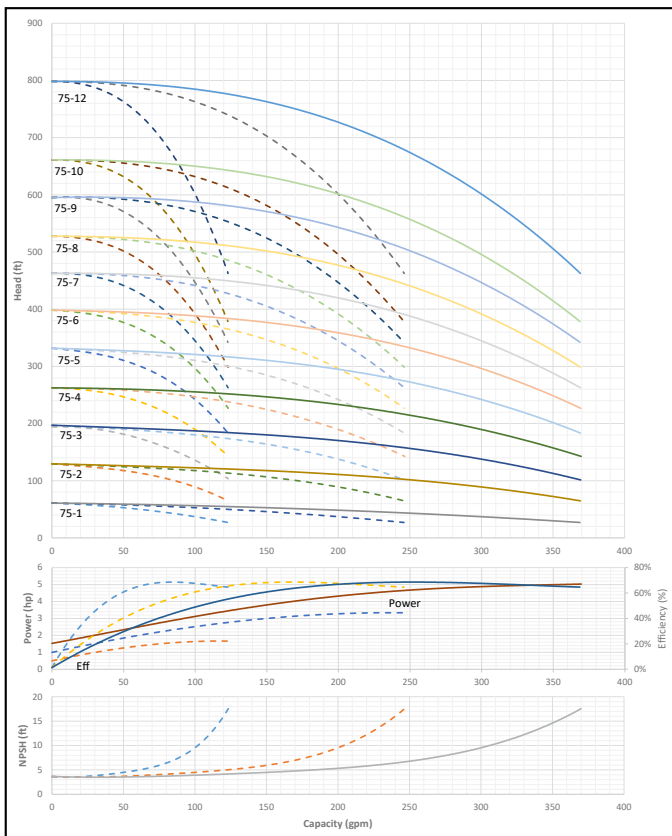


CO3 MVI-75



Project:	
Engineer:	
Contractor:	
Submitted By:	Date:
Approved By:	Date:

Tag #	Model #	Flow	BOOST PSI	Min. Inlet PSI	HP/Pump	Phase	Voltage	RPM
	CO3 MVI-75				1			3600



Applications

- Water Supply
- Agriculture
- Washing / Sprinkling Systems
- Pressure Boosting
- Cooling Circuits
- Condensate Return

Materials of Construction

Volute	AISI 304 Stainless Steel with Cast Iron ANSI flanges
Impeller	AISI 304 Stainless Steel
Shaft	ANSI 431 Stainless Steel
Elastomers	EPDM
Manifold	AISI 304 Stainless Steel
Suction Isolation Valves	150# Cast Iron Wafer Butterfly, All Stainless Steel Wetted Components
Discharge Isolation Valve	150# Cast Iron Wafer Butterfly, All Stainless Steel Wetted Components or 300# 304SS Ball Valve
Check Valve	Wafer Style, 316 Stainless Steel internals, non-slam, plunger type with EPDM seal/ cast iron body
Mechanical Seal	Frame and Springs 304SS
Pressure Transducers	¼" MNPT, 316 Stainless Steel
Pressure Gauges	¼" MNPT, 304 Stainless Steel Housing with 316 Stainless Steel wetted parts
System Base	Epoxy Coated A-500 Steel Tubing and A36 C-Channel/Plates

Technical Data - Operational Ranges

Liquid Temp Range	5°F to 248°F (Min. 32 °F for Domestic Water)
Ambient Temp Range	+32°F to +104 °F

Technical Data - Panel

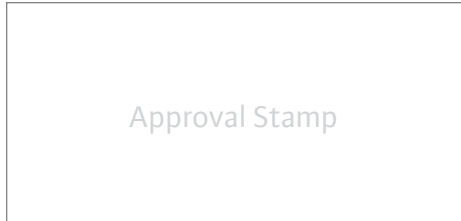
Liquid Temp Range	208-230/460-3 or 575-3
Enclosure	NEMA 3R up to 20 HP NEMA 12 for 25 HP and above (NEMA 4 and 4X available upon request)
Standard	Meets UL 508A
Variable Frequency Drives	Danfoss FC-101: • 1 HP to 3 HP 208-230V-1 IN / 208-230V-3 OUT • 1 HP to 60 HP 208-230V-3 • 1 HP to 100 HP 460V-3 • 1 HP to 100 HP 575V-3

Technical Data - PLC

User Interface	7" Diagonal Color LCD Touchscreen
Display Resolution	800 x 480 Pixels
Supply Voltage	24VDC
Max. Current Consumption	320mA@24V
Number of Analog Inputs	4
Number of Analog Outputs	4
Number of Digital Inputs	18
Number of Digital Outputs	17
Onboard Communications	Modbus Protocol (Optional Gateways for BACnet, LonWorks, and CANbus)
Ethernet Port	RJ45 port capable of transmitting data 10/100Mbps
Additional Ports	2.0 USB Port; Micro-SD Port

Motor Data

Power Supply	208-230, 460, 575-3
Motor Enclosure	Totally Enclosed Fan Cooled (TEFC)
Motor Efficiency	Nema Premium Efficiency - Meets NEMA 12-12 Rule
Enclosure Construction	Rolled Steel / Cast Iron
Motor Protection Index	IP54
Insulation Class	F



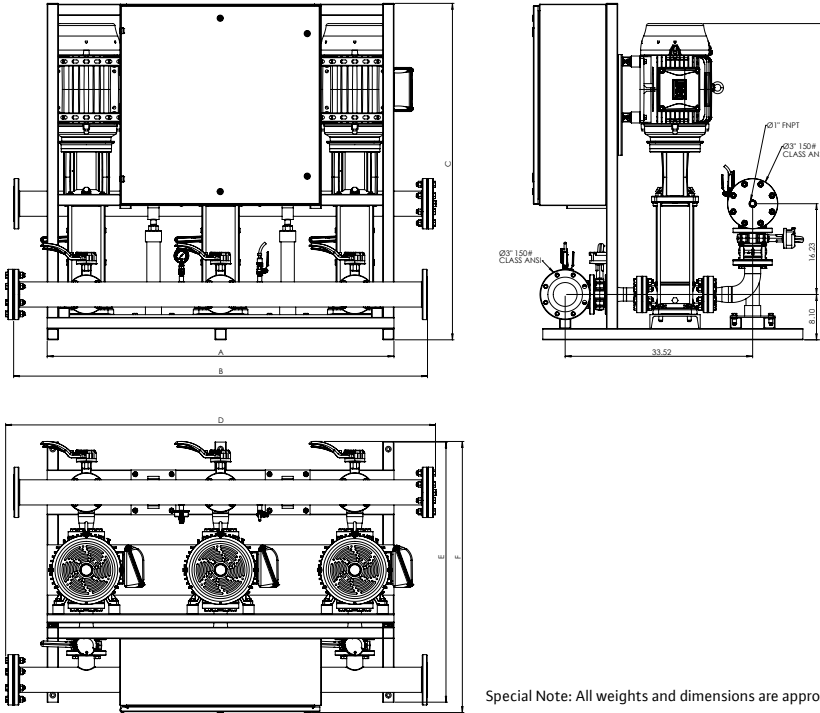
Submittal Data Sheet

Wilo-CO MVI - NSF 61/372 Pressure Boosting System



CO3 MVI-75

150# Discharge



Special Note: All weights and dimensions are approximate and should not be used as exact rough-in dimensions

CO3 MVI-75

TEFC Motor Data (Per Motor)

Model	Article	HP	Voltage	Phase	System Header Size (ANSI)	Pmax (PSI)	Dimensions - Inches (in)								System Weight (Lbs)	Motor FLA (per pump)	System FLA
							A (in)	B (in)	C (in)	D (in)	E (in)	F (in)	H (in)	(A)			
CO3 MVI-75-1	3353103	2	208V-230V	~1 IN / ~3 OUT	4" 150#	232	35	39.5	60.16	42.35	46.5	47.08	32.43	776.23	5.46-4.94	46.6	
CO3 MVI-75-1	3353392	2	208V-230V	~3	4" 150#	232	35	39.5	60.16	42.35	46.5	47.08	32.43	776.23	5.46-4.94	21.4	
CO3 MVI-75-2	3353393	5	208V-230V	~3	4" 150#	232	44	48.75	60.16	51.6	46.5	47.08	36.65	1050.7	13.1-11.8	46.6	
CO3 MVI-75-3	3353394	5	208V-230V	~3	4" 150#	232	44	48.75	60.16	51.6	46.5	47.08	37.82	1059.7	13.1-11.8	46.6	
CO3 MVI-75-4	3353395	7.5	208V-230V	~3	4" 150#	232	44	48.75	60.16	51.6	46.5	47.08	42.43	1245.46	19.2-17.3	64-55	
CO3 MVI-75-5	3353396	10	208V-230V	~3	4" 150#	232	44	48.75	60.16	51.6	46.5	47.08	45.75	1335.46	25.4-23	85.9-73	
CO3 MVI-75-6	3353397	10	208V-230V	~3	4" 150#	232	44	48.75	60.16	51.6	46.5	47.08	46.83	1344.46	25.4-23	85.9-73	
CO3 MVI-75-7	3353398	15	208V-230V	~3	4" 150#	232	62	74	60.16	76.85	46.5	50.25	54.99	2188.84	38.5-34.8	124-115.6	
CO3 MVI-75-8	3353399	15	208V-230V	~3	4" 150#	232	62	74	60.16	76.85	46.5	50.25	56.46	2197.84	38.5-34.8	124-115.6	
CO3 MVI-75-1	3353881	2	460V	~3	4" 150#	232	35	39.5	60.16	42.35	46.5	47.08	32.43	776.38	2.47	11.2	
CO3 MVI-75-2	3353882	5	460V	~3	4" 150#	232	44	48.75	60.16	51.6	46.5	47.08	36.65	1050.7	5.9	25.6	
CO3 MVI-75-3	3353883	5	460V	~3	4" 150#	232	44	48.75	60.16	51.6	46.5	47.08	37.82	1059.7	5.9	25.6	
CO3 MVI-75-4	3353884	7.5	460V	~3	4" 150#	232	44	48.75	60.16	51.6	46.5	47.08	42.43	1244.08	8.67	34	
CO3 MVI-75-5	3353885	10	460V	~3	4" 150#	232	44	48.75	60.16	51.6	46.5	47.08	45.75	1334.08	11.5	43	
CO3 MVI-75-6	3353886	10	460V	~3	4" 150#	232	44	48.75	60.16	51.6	46.5	47.08	46.83	1343.08	11.5	43	
CO3 MVI-75-7	3353887	15	460V	~3	4" 150#	232	62	74	60.16	76.85	46.5	46.58	54.69	1921.26	17.4	56.2	
CO3 MVI-75-8	3353888	15	460V	~3	4" 150#	232	62	74	60.16	76.85	46.5	46.58	56.46	1930.26	17.4	56.2	
CO3 MVI-75-1	3354370	2	575V	~3	4" 150#	232	35	39.5	60.16	42.35	46.5	47.08	32.43	777.76	1.98	11.5	
CO3 MVI-75-2	3354371	5	575V	~3	4" 150#	232	44	48.75	60.16	51.6	46.5	47.08	36.65	1053.34	4.72	17.8	
CO3 MVI-75-3	3354372	5	575V	~3	4" 150#	232	44	48.75	60.16	51.6	46.5	47.08	37.82	1062.34	4.72	17.8	
CO3 MVI-75-4	3354373	7.5	575V	~3	4" 150#	232	44	48.75	60.16	51.6	46.5	47.08	42.43	1251.46	6.94	25.9	
CO3 MVI-75-5	3354374	10	575V	~3	4" 150#	232	44	48.75	60.16	51.6	46.5	47.08	45.75	1347.46	9.2	35.2	
CO3 MVI-75-6	3354375	10	575V	~3	4" 150#	232	44	48.75	60.16	51.6	46.5	47.08	46.83	1356.46	9.2	35.2	
CO3 MVI-75-7	3354376	15	575V	~3	4" 150#	232	62	74	60.16	76.85	46.5	50.25	54.69	2081.84	13.8	48.1	
CO3 MVI-75-8	3354377	15	575V	~3	4" 150#	232	62	74	60.16	76.85	46.5	50.25	56.46	2090.84	13.8	48.1	

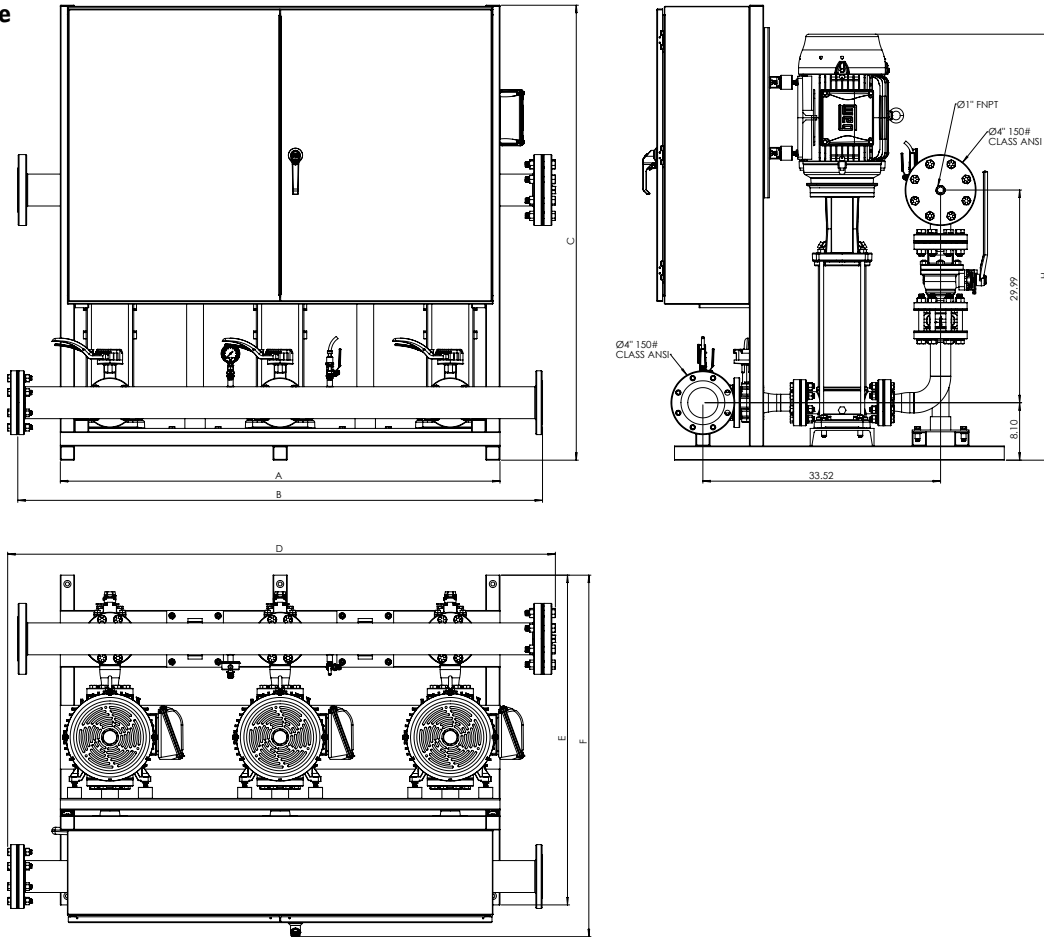
Submittal Data Sheet

Wilo-CO MVI - NSF 61/372 Pressure Boosting System



CO3 MVI-75

300# Discharge



Special Note: All weights and dimensions are approximate and should not be used as exact rough-in dimensions

CO3 MVI-75

CO3 MVI-75																TEFC Motor Data (Per Motor)		
Model	Article	HP	Voltage	Phase	System Header Size (ANSI)	Pmax (PSI)	A (in)	B (in)	C (in)	D (in)	E (in)	F (in)	H (in)	System Weight (Lbs)	Dimensions - Inches (in)		Motor FLA (per pump)	System FLA
															(A)	(A)		
CO3 MVI-75-9	3353400	15	208V-230V	~3	4" 300#	363	62	74	60.16	77.24	46.5	48.35	58.23	2355.02	38.5-34.8	124-115.6		
CO3 MVI-75-10	3353401	10	208V-230V	~3	4" 300#	363	62	74	64.16	77.24	46.5	50.17	60	2132.39	25.4-23	85.9-73		
CO3 MVI-75-12	3353402	25	208V-230V	~3	4" 300#	363	62	74	64.16	77.24	46.5	50.17	65.05	2360.39	63.0-57.6	196		
CO3 MVI-75-9	3353889	15	460V	~3	4" 300#	363	62	74	60.16	77.24	46.5	46.5	58.23	2087.44	17.4	56.2		
CO3 MVI-75-10	3353890	10	460V	~3	4" 300#	363	62	74	60.16	77.24	46.5	46.5	60	2120.44	11.5	43		
CO3 MVI-75-12	3353891	25	460V	~3	4" 300#	363	62	74	60.16	77.24	46.5	49.1	65.05	2616.02	28.8	88.9		
CO3 MVI-75-9	3354378	15	575V	~3	4" 300#	363	62	74	60.16	77.24	46.5	48.35	58.23	2248.02	13.8	48.1		
CO3 MVI-75-10	3354379	10	575V	~3	4" 300#	363	62	74	60.16	77.24	46.5	48.35	60	2281.02	9.2	35.2		
CO3 MVI-75-12	3354380	25	575V	~3	4" 300#	363	62	74	64.16	77.24	46.5	50.17	65.05	2339.39	23	78.1		

Submittal Data Sheet

Wilco-CO MVI - NSF 61/372 Pressure Boosting System

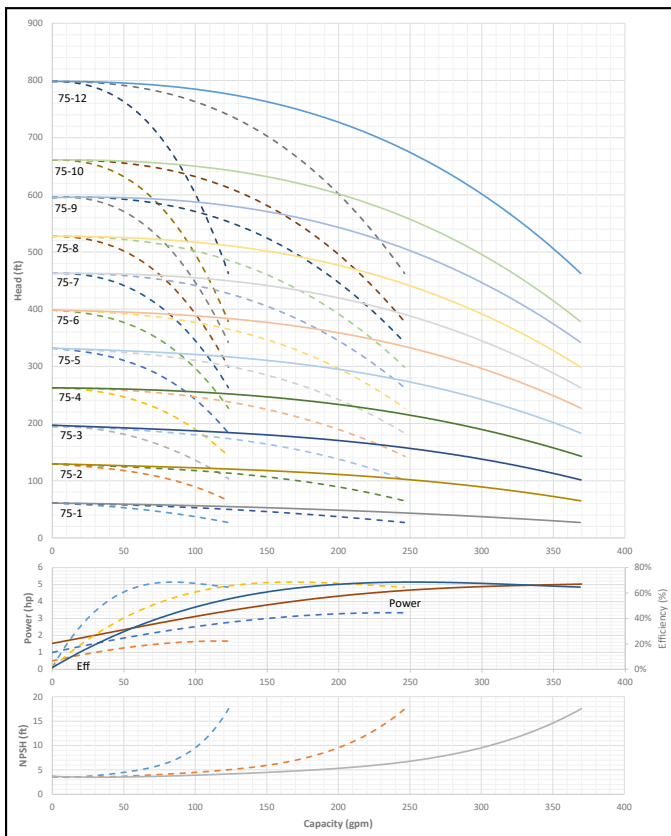


CO3 MVI-1SB-75



Project:	
Engineer:	
Contractor:	
Submitted By:	Date:
Approved By:	Date:

Tag #	Model #	Flow	BOOST PSI	Min. Inlet PSI	HP/Pump	Phase	Voltage	RPM
	CO3 MVI-1SB-75				1			3600



Applications

- Water Supply
- Pressure Boosting
- Agriculture
- Cooling Circuits
- Washing / Sprinkling Systems
- Condensate Return

Materials of Construction

Volute	AISI 304 Stainless Steel with Cast Iron ANSI flanges
Impeller	AISI 304 Stainless Steel
Shaft	ANSI 431 Stainless Steel
Elastomers	EPDM
Manifold	AISI 304 Stainless Steel
Suction Isolation Valves	150# Cast Iron Wafer Butterfly, All Stainless Steel Wetted Components
Discharge Isolation Valve	150# Cast Iron Wafer Butterfly, All Stainless Steel Wetted Components or 300# 304SS Ball Valve
Check Valve	Wafer Style, 316 Stainless Steel internals, non-slam, plunger type with EPDM seal/ cast iron body
Mechanical Seal	Frame and Springs 304SS
Pressure Transducers	¼" MNPT, 316 Stainless Steel
Pressure Gauges	¼" MNPT, 304 Stainless Steel Housing with 316 Stainless Steel wetted parts
System Base	Epoxy Coated A-500 Steel Tubing and A36 C-Channel/Plates

Technical Data - Operational Ranges

Liquid Temp Range	5°F to 248°F (Min. 32 °F for Domestic Water)
Ambient Temp Range	+32°F to +104 °F

Technical Data - Panel

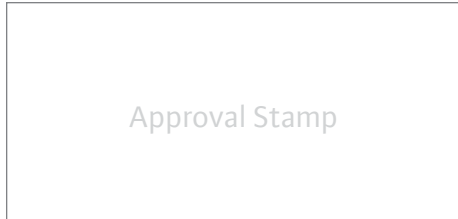
Liquid Temp Range	208-230/460-3 or 575-3
Enclosure	NEMA 3R up to 20 HP NEMA 12 for 25 HP and above (NEMA 4 and 4X available upon request)
Standard	Meets UL 508A
Variable Frequency Drives	Danfoss FC-101: • 1 HP to 3 HP 208-230V-1 IN / 208-230V-3 OUT • 1 HP to 60 HP 208-230V-3 • 1 HP to 100 HP 460V-3 • 1 HP to 100 HP 575V-3

Technical Data - PLC

User Interface	7" Diagonal Color LCD Touchscreen
Display Resolution	800 x 480 Pixels
Supply Voltage	24VDC
Max. Current Consumption	320mA@24V
Number of Analog Inputs	4
Number of Analog Outputs	4
Number of Digital Inputs	18
Number of Digital Outputs	17
Onboard Communications	Modbus Protocol (Optional Gateways for BACnet, LonWorks, and CANbus)
Ethernet Port	RJ45 port capable of transmitting data 10/100Mbps
Additional Ports	2.0 USB Port; Micro-SD Port

Motor Data

Power Supply	208-230, 460, 575-3
Motor Enclosure	Totally Enclosed Fan Cooled (TEFC)
Motor Efficiency	Nema Premium Efficiency - Meets NEMA 12-12 Rule
Enclosure Construction	Rolled Steel / Cast Iron
Motor Protection Index	IP54
Insulation Class	F



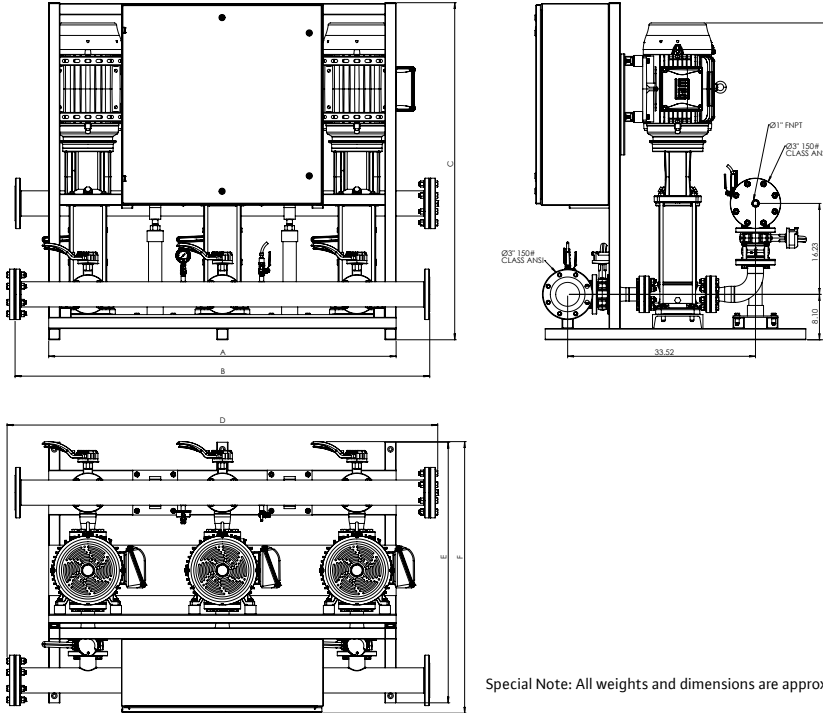
Submittal Data Sheet

Wilo-CO MVI - NSF 61/372 Pressure Boosting System



CO3 MVI-1SB-75

150# Discharge



Special Note: All weights and dimensions are approximate and should not be used as exact rough-in dimensions

CO3 MVI-1SB-75

TEFC Motor Data
(Per Motor)

Model	Article	HP	Voltage	Phase	System Header Size (ANSI)	Pmax (PSI)	Dimensions - Inches (in)								System Weight (Lbs)	Motor FLA (per pump)	System FLA
							A (in)	B (in)	C (in)	D (in)	E (in)	F (in)	H (in)	(A)			
CO3 MVI-1SB-75-1	3354753	2	208V-230V	~1 IN / ~3 OUT	3" 150#	232	35	39.75	60.16	42.6	45.75	45.95	32.43	752.4	5.46-4.94	46.6	
CO3 MVI-1SB-75-1	3354890	2	208V-230V	~3	3" 150#	232	35	39.75	60.16	42.6	45.75	45.95	32.43	752.4	5.46-4.94	21.4	
CO3 MVI-1SB-75-2	3354891	5	208V-230V	~3	3" 150#	232	44	48.75	60.16	51.6	45.75	45.95	36.65	1026.6	13.1-11.8	46.6	
CO3 MVI-1SB-75-3	3354892	5	208V-230V	~3	3" 150#	232	44	48.75	60.16	51.6	45.75	45.95	37.82	1035.6	13.1-11.8	46.6	
CO3 MVI-1SB-75-4	3354893	7.5	208V-230V	~3	3" 150#	232	44	48.75	60.16	51.6	45.75	45.95	42.43	1220.87	19.2-17.3	64-55	
CO3 MVI-1SB-75-5	3354894	10	208V-230V	~3	3" 150#	232	44	48.75	60.16	51.6	45.75	45.95	45.75	1310.87	25.4-23	85.9-73	
CO3 MVI-1SB-75-6	3354895	10	208V-230V	~3	3" 150#	232	44	48.75	60.16	51.6	45.75	45.95	46.83	1319.87	25.4-23	85.9-73	
CO3 MVI-1SB-75-7	3354896	15	208V-230V	~3	3" 150#	232	62	74	60.16	76.85	45.75	48.43	54.69	2163.86	38.5-34.8	124-115.6	
CO3 MVI-1SB-75-8	3354897	15	208V-230V	~3	3" 150#	232	62	74	60.16	76.85	45.75	48.43	56.46	2172.86	38.5-34.8	124-115.6	
CO3 MVI-1SB-75-1	3355180	2	460V	~3	3" 150#	232	35	39.75	60.16	42.6	45.75	45.95	32.43	752.4	2.47	11.2	
CO3 MVI-1SB-75-2	3355181	5	460V	~3	3" 150#	232	44	48.75	60.16	51.6	45.75	45.95	36.65	1026.6	5.9	25.6	
CO3 MVI-1SB-75-3	3355182	5	460V	~3	3" 150#	232	44	48.75	60.16	51.6	45.75	45.95	37.82	1035.6	5.9	25.6	
CO3 MVI-1SB-75-4	3355183	7.5	460V	~3	3" 150#	232	44	48.75	60.16	51.6	45.75	45.95	42.43	1219.5	8.67	34	
CO3 MVI-1SB-75-5	3355184	10	460V	~3	3" 150#	232	44	48.75	60.16	51.6	45.75	45.95	45.75	1309.5	11.5	43	
CO3 MVI-1SB-75-6	3355185	10	460V	~3	3" 150#	232	44	48.75	60.16	51.6	45.75	45.95	46.83	1318.5	11.5	43	
CO3 MVI-1SB-75-7	3355186	15	460V	~3	3" 150#	232	62	74	60.16	76.85	45.75	46.43	54.69	1896.28	17.4	56.2	
CO3 MVI-1SB-75-8	3355187	15	460V	~3	3" 150#	232	62	74	60.16	76.85	45.75	46.43	56.46	1905.28	17.4	56.2	
CO3 MVI-1SB-75-1	3355470	2	575V	~3	3" 150#	232	35	39.75	60.16	42.6	45.75	45.95	32.43	753.78	1.98	11.5	
CO3 MVI-1SB-75-2	3355471	5	575V	~3	3" 150#	232	44	48.75	60.16	51.6	45.75	45.95	36.65	1028.27	4.72	17.8	
CO3 MVI-1SB-75-3	3355472	5	575V	~3	3" 150#	232	44	48.75	60.16	51.6	45.75	45.95	37.82	1037.27	4.72	17.8	
CO3 MVI-1SB-75-4	3355473	7.5	575V	~3	3" 150#	232	44	48.75	60.16	51.6	45.75	45.95	42.43	1226.87	6.94	25.9	
CO3 MVI-1SB-75-5	3355474	10	575V	~3	3" 150#	232	44	48.75	60.16	51.6	45.75	45.95	45.75	1322.87	9.2	35.2	
CO3 MVI-1SB-75-6	3355475	10	575V	~3	3" 150#	232	44	48.75	60.16	51.6	45.75	45.95	46.83	1331.87	9.2	35.2	
CO3 MVI-1SB-75-7	3355476	15	575V	~3	3" 150#	232	62	74	60.16	76.85	45.75	48.43	54.69	2056.86	13.8	48.1	
CO3 MVI-1SB-75-8	3355477	15	575V	~3	3" 150#	232	62	74	60.16	76.85	45.75	48.43	56.46	2065.86	13.8	48.1	

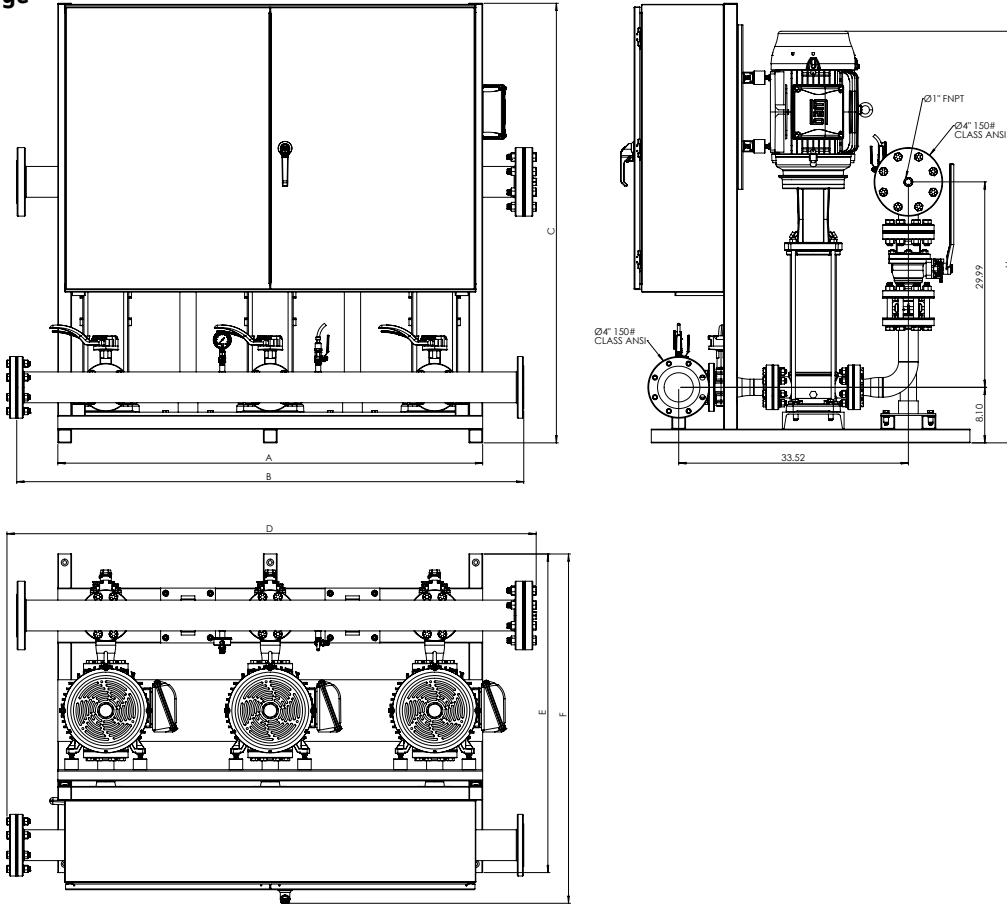
Submittal Data Sheet

Wilo-CO MVI - NSF 61/372 Pressure Boosting System



CO3 MVI-1SB-75

300# Discharge



Special Note: All weights and dimensions are approximate and should not be used as exact rough-in dimensions

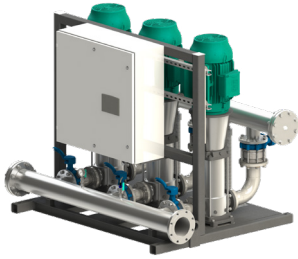
CO3 MVI-1SB-75															TEFC Motor Data (Per Motor)	
Model	Article	HP	Voltage	Phase	System Header Size (ANSI)	Pmax (PSI)	A (in)	B (in)	C (in)	D (in)	E (in)	F (in)	H (in)	System Weight (Lbs)	Dimensions - Inches (in)	
															Motor FLA (per pump)	System FLA
CO3 MVI-1SB-75-9	3354898	15	208V-230V	~3	3" 300#	363	62	74	60.16	77.11	45.75	50.05	58.23	2324.43	38.5-34.8	124-115.6
CO3 MVI-1SB-75-10	3354899	10	208V-230V	~3	3" 300#	363	62	74	64.16	77.11	45.75	50.05	60	2099.86	25.4-23	85.9-73
CO3 MVI-1SB-75-12	3354900	25	208V-230V	~3	3" 300#	363	62	74	66.16	77.11	45.75	50.8	65.05	2329.85	63.0-57.6	196
CO3 MVI-1SB-75-9	3355188	15	460V	~3	3" 300#	363	62	74	60.16	77.11	45.75	46.23	58.23	2056.85	17.4	56.2
CO3 MVI-1SB-75-10	3355189	10	460V	~3	3" 300#	363	62	74	60.16	77.11	45.75	46.23	60	2089.85	11.5	43
CO3 MVI-1SB-75-12	3355190	25	460V	~3	3" 300#	363	62	74	60.16	77.11	45.75	48.98	65.05	2584.95	28.8	88.9
CO3 MVI-1SB-75-9	3355478	15	575V	~3	3" 300#	363	62	74	60.16	77.11	45.75	50.05	58.23	2217.43	13.8	48.1
CO3 MVI-1SB-75-10	3355479	10	575V	~3	3" 300#	363	62	74	60.16	77.11	45.75	50.05	60	2250.43	9.2	35.2
CO3 MVI-1SB-75-12	3355480	25	575V	~3	3" 300#	363	62	74	66.16	77.11	45.75	50.8	65.05	2308.85	23	78.1

Submittal Data Sheet

Wilco-CO MVI - NSF 61/372 Pressure Boosting System

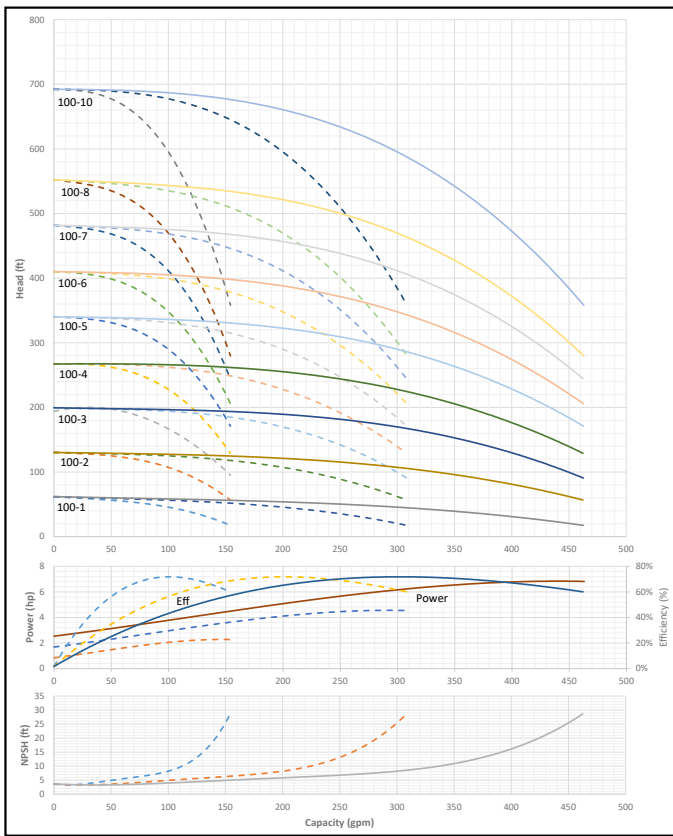


CO3 MVI-100



Project:	
Engineer:	
Contractor:	
Submitted By:	Date:
Approved By:	Date:

Tag #	Model #	Flow	BOOST PSI	Min. Inlet PSI	HP/Pump	Phase	Voltage	RPM
	CO3 MVI-100				1			3600



Applications

- Water Supply
- Agriculture
- Washing / Sprinkling Systems
- Pressure Boosting
- Cooling Circuits
- Condensate Return

Materials of Construction

Volute	AISI 304 Stainless Steel with Cast Iron ANSI flanges
Impeller	AISI 304 Stainless Steel
Shaft	ANSI 431 Stainless Steel
Elastomers	EPDM
Manifold	AISI 304 Stainless Steel
Suction Isolation Valves	150# Cast Iron Wafer Butterfly, All Stainless Steel Wetted Components
Discharge Isolation Valve	150# Cast Iron Wafer Butterfly, All Stainless Steel Wetted Components or 300# 304SS Ball Valve
Check Valve	Wafer Style, 316 Stainless Steel internals, non-slam, plunger type with EPDM seal/ cast iron body
Mechanical Seal	Frame and Springs 304SS
Pressure Transducers	¼" MNPT, 316 Stainless Steel
Pressure Gauges	¼" MNPT, 304 Stainless Steel Housing with 316 Stainless Steel wetted parts
System Base	Epoxy Coated A-500 Steel Tubing and A36 C-Channel/Plates

Technical Data - Operational Ranges

Liquid Temp Range	5°F to 248°F (Min. 32 °F for Domestic Water)
Ambient Temp Range	+32°F to +104 °F

Technical Data - Panel

Liquid Temp Range	208-230/460~3 or 575~3
Enclosure	NEMA 3R up to 20 HP NEMA 12 for 25 HP and above (NEMA 4 and 4X available upon request)
Standard	Meets UL 508A
Variable Frequency Drives	Danfoss FC-101: • 1 HP to 3 HP 208-230V~1 IN / 208-230V~3 OUT • 1 HP to 60 HP 208-230V~3 • 1 HP to 100 HP 460V~3 • 1 HP to 100 HP 575V~3

Technical Data - PLC

User Interface	7" Diagonal Color LCD Touchscreen
Display Resolution	800 x 480 Pixels
Supply Voltage	24VDC
Max. Current Consumption	320mA@24V
Number of Analog Inputs	4
Number of Analog Outputs	4
Number of Digital Inputs	18
Number of Digital Outputs	17
Onboard Communications	Modbus Protocol (Optional Gateways for BACnet, LonWorks, and CANbus)
Ethernet Port	RJ45 port capable of transmitting data 10/100Mbps
Additional Ports	2.0 USB Port; Micro-SD Port

Motor Data

Power Supply	208-230, 460, 575~3
Motor Enclosure	Totally Enclosed Fan Cooled (TEFC)
Motor Efficiency	Nema Premium Efficiency - Meets NEMA 12-12 Rule
Enclosure Construction	Rolled Steel / Cast Iron
Motor Protection Index	IP54
Insulation Class	F

Approval Stamp

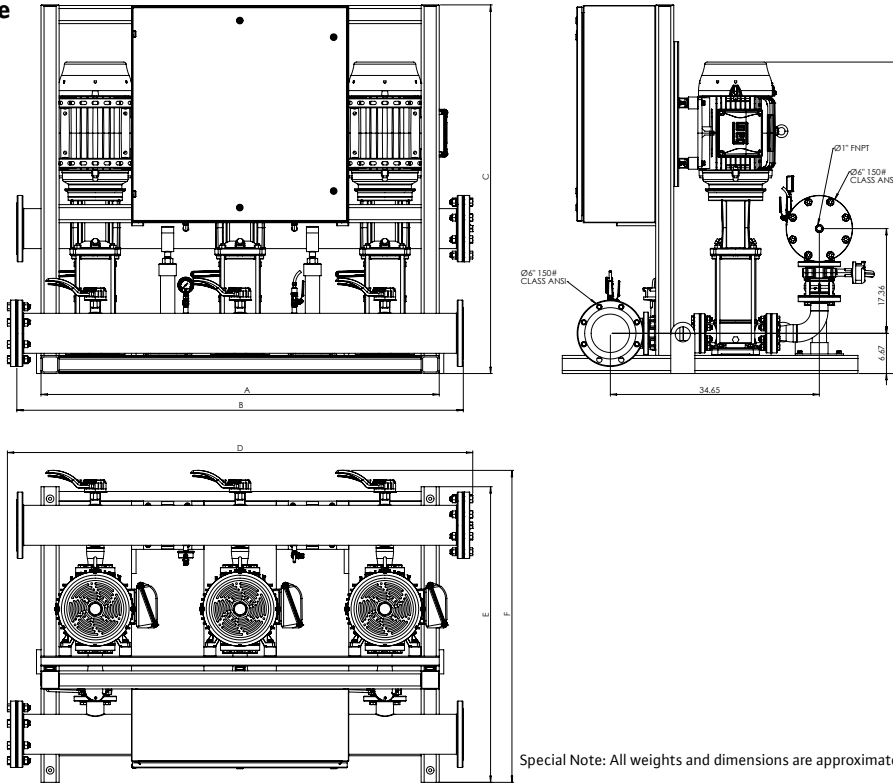
Submittal Data Sheet

Wilo-CO MVI - NSF 61/372 Pressure Boosting System



CO3 MVI-100

150# Discharge



Special Note: All weights and dimensions are approximate and should not be used as exact rough-in dimensions

CO3 MVI-100

TEFC Motor Data (Per Motor)

Model	Article	HP	Voltage	Phase	System Header Size (ANSI)	Pmax (PSI)	Dimensions - Inches (in)							System Weight (Lbs)	Motor FLA (per pump)	System FLA
							A (in)	B (in)	C (in)	D (in)	E (in)	F (in)	H (in)		(A)	
CO3 MVI-100-1	3353104	3	208V-230V	~1 IN / ~3 OUT	6" 150#	232	49.5	57.5	61.1	60.63	49	51.67	33.64	1393.22	8.12-7.34	46.6
CO3 MVI-100-1	3353403	3	208V-230V	~3	6" 150#	232	49.5	57.5	61.1	60.63	49	51.67	33.64	1393.22	8.12-7.34	29.8
CO3 MVI-100-2	3353404	5	208V-230V	~3	6" 150#	232	49.5	57.5	61.1	60.63	49	51.67	35.23	1441.82	13.1-11.8	46.6
CO3 MVI-100-3	3353405	7.5	208V-230V	~3	6" 150#	232	49.5	57.5	61.1	60.63	49	51.67	39.24	1626.37	19.2-17.3	64-55
CO3 MVI-100-4	3353406	10	208V-230V	~3	6" 150#	232	49.5	57.5	61.1	60.63	49	51.67	42.57	1716.37	25.4-23	85.9-73
CO3 MVI-100-5	3353407	15	208V-230V	~3	6" 150#	232	66	74	61.1	77.13	49	51.67	49.73	2568.44	38.5-34.8	124-115.6
CO3 MVI-100-6	3353408	15	208V-230V	~3	6" 150#	232	66	74	61.1	77.13	49	51.67	51.5	2577.44	38.5-34.8	124-115.6
CO3 MVI-100-7	3353409	20	208V-230V	~3	6" 150#	232	66	74	65.1	77.13	49	51.67	53.28	2360.48	50.2-45.4	159.1
CO3 MVI-100-1	3353892	3	460V	~3	6" 150#	232	49.5	57.5	61.1	60.63	49	51.67	33.64	1393.22	3.67	15.4
CO3 MVI-100-2	3353893	5	460V	~3	6" 150#	232	49.5	57.5	61.1	60.63	49	51.67	35.23	1441.82	5.9	25.6
CO3 MVI-100-3	3353894	7.5	460V	~3	6" 150#	232	49.5	57.5	61.1	60.63	49	51.67	39.24	1624.99	8.67	34
CO3 MVI-100-4	3353895	10	460V	~3	6" 150#	232	49.5	57.5	61.1	60.63	49	51.67	42.57	1714.99	11.5	43
CO3 MVI-100-5	3353896	15	460V	~3	6" 150#	232	66	74	61.1	77.13	49	51.67	49.73	2298.01	17.4	56.2
CO3 MVI-100-6	3353897	15	460V	~3	6" 150#	232	66	74	61.1	77.13	49	51.67	51.5	2307.01	17.4	56.2
CO3 MVI-100-7	3353898	20	460V	~3	6" 150#	232	66	74	61.1	77.13	49	51.67	53.28	2340.01	22.7	75.1
CO3 MVI-100-1	3354381	3	575V	~3	6" 150#	232	49.5	57.5	61.1	60.63	49	51.67	33.64	1395.2	2.9	11.5
CO3 MVI-100-2	3354382	5	575V	~3	6" 150#	232	49.5	57.5	61.1	60.63	49	51.67	35.23	1443.5	4.72	17.8
CO3 MVI-100-3	3354383	7.5	575V	~3	6" 150#	232	49.5	57.5	61.1	60.63	49	51.67	39.24	1632.37	6.94	25.9
CO3 MVI-100-4	3354384	10	575V	~3	6" 150#	232	49.5	57.5	61.1	60.63	49	51.67	42.57	1728.37	9.2	35.2
CO3 MVI-100-5	3354385	15	575V	~3	6" 150#	232	66	74	61.1	77.13	49	51.67	49.73	2461.44	13.8	48.1
CO3 MVI-100-6	3354386	15	575V	~3	6" 150#	232	66	74	61.1	77.13	49	51.67	51.5	2470.44	13.8	48.1
CO3 MVI-100-7	3354387	20	575V	~3	6" 150#	232	66	74	61.1	77.13	49	51.67	53.28	2503.44	18.2	65.2

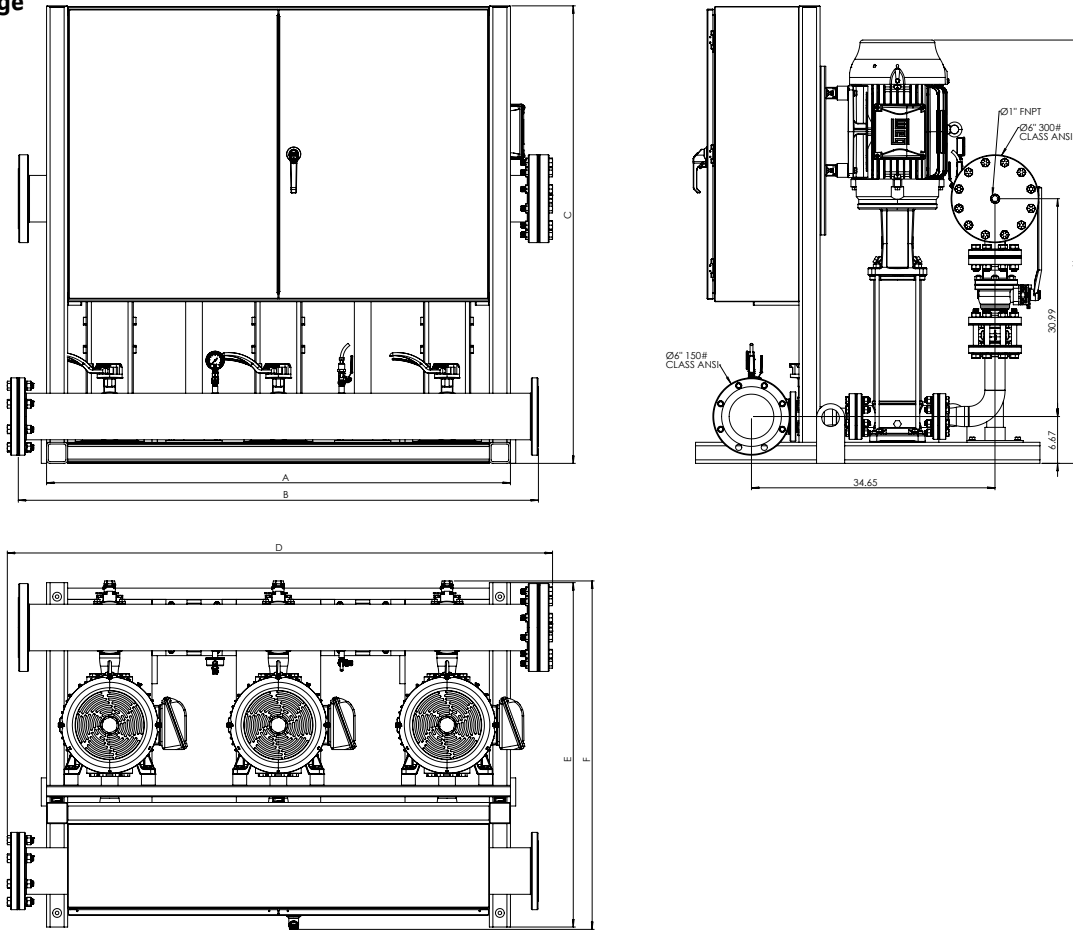
Submittal Data Sheet

Wilo-CO MVI - NSF 61/372 Pressure Boosting System



CO3 MVI-100

300# Discharge



Special Note: All weights and dimensions are approximate and should not be used as exact rough-in dimensions

CO3 MVI-100

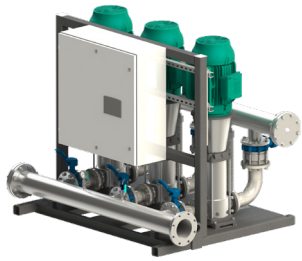
Model	Article	HP	Voltage	Phase	System Header Size (ANSI)	Pmax (PSI)	Dimensions - Inches (in)								TEFC Motor Data (Per Motor)	
							A (in)	B (in)	C (in)	D (in)	E (in)	F (in)	H (in)	System Weight (Lbs)	Motor FLA (per pump)	System FLA
CO3 MVI-100-8	3353410	20	208V-230V	~3	6" 300#	363	66	74	65.1	77.57	49	49	55.05	2529.98	50.2-45.4	159.1
CO3 MVI-100-10	3353411	25	208V-230V	~3	6" 300#	363	66	74	65.1	77.57	49	49.34	60.1	2760.98	63.0-57.6	196
CO3 MVI-100-8	3353899	20	460V	~3	6" 300#	363	66	74	61.1	77.57	49	49.24	55.05	2509.52	22.7	75.1
CO3 MVI-100-10	3353900	25	460V	~3	6" 300#	363	66	74	61.1	77.57	49	49.06	60.1	3010.94	28.8	88.9
CO3 MVI-100-8	3354388	20	575V	~3	6" 300#	363	66	74	61.1	77.57	49	49.24	55.05	2672.94	18.2	65.2
CO3 MVI-100-10	3354389	25	575V	~3	6" 300#	363	66	74	65.1	77.57	49	49.34	60.1	2739.98	23	78.1

Submittal Data Sheet

Wilco-CO MVI - NSF 61/372 Pressure Boosting System

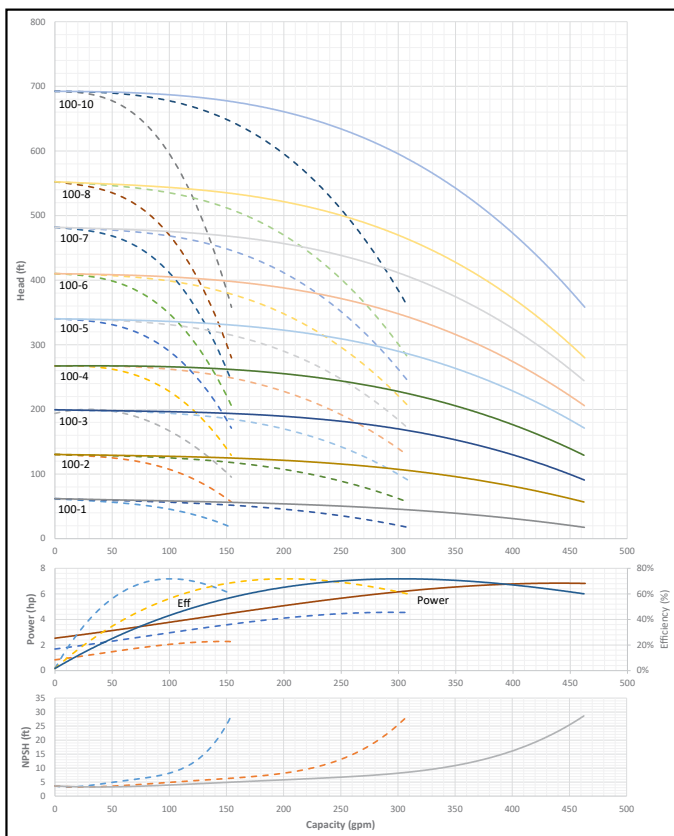


CO3 MVI-1SB-100



Project:	
Engineer:	
Contractor:	
Submitted By:	Date:
Approved By:	Date:

Tag #	Model #	Flow	BOOST PSI	Min. Inlet PSI	HP/Pump	Phase	Voltage	RPM
	CO3 MVI-1SB-100				1			3600



Applications

- Water Supply
- Agriculture
- Washing / Sprinkling Systems
- Pressure Boosting
- Cooling Circuits
- Condensate Return

Materials of Construction

Volute	AISI 304 Stainless Steel with Cast Iron ANSI flanges
Impeller	AISI 304 Stainless Steel
Shaft	ANSI 431 Stainless Steel
Elastomers	EPDM
Manifold	AISI 304 Stainless Steel
Suction Isolation Valves	150# Cast Iron Wafer Butterfly, All Stainless Steel Wetted Components
Discharge Isolation Valve	150# Cast Iron Wafer Butterfly, All Stainless Steel Wetted Components or 300# 304SS Ball Valve
Check Valve	Wafer Style, 316 Stainless Steel internals, non-slam, plunger type with EPDM seal/ cast iron body
Mechanical Seal	Frame and Springs 304SS
Pressure Transducers	¼" MNPT, 316 Stainless Steel
Pressure Gauges	¼" MNPT, 304 Stainless Steel Housing with 316 Stainless Steel wetted parts
System Base	Epoxy Coated A-500 Steel Tubing and A36 C-Channel/Plates

Technical Data - Operational Ranges

Liquid Temp Range	5°F to 248°F (Min. 32 °F for Domestic Water)
Ambient Temp Range	+32°F to +104 °F

Technical Data - Panel

Liquid Temp Range	208-230/460~3 or 575~3
Enclosure	NEMA 3R up to 20 HP NEMA 12 for 25 HP and above (NEMA 4 and 4X available upon request)
Standard	Meets UL 508A
Variable Frequency Drives	Danfoss FC-101: • 1 HP to 3 HP 208-230V~1 IN / 208-230V~3 OUT • 1 HP to 60 HP 208-230V~3 • 1 HP to 100 HP 460V~3 • 1 HP to 100 HP 575V~3

Technical Data - PLC

User Interface	7" Diagonal Color LCD Touchscreen
Display Resolution	800 x 480 Pixels
Supply Voltage	24VDC
Max. Current Consumption	320mA@24V
Number of Analog Inputs	4
Number of Analog Outputs	4
Number of Digital Inputs	18
Number of Digital Outputs	17
Onboard Communications	Modbus Protocol (Optional Gateways for BACnet, LonWorks, and CANbus)
Ethernet Port	RJ45 port capable of transmitting data 10/100Mbps
Additional Ports	2.0 USB Port; Micro-SD Port

Motor Data

Power Supply	208-230, 460, 575~3
Motor Enclosure	Totally Enclosed Fan Cooled (TEFC)
Motor Efficiency	Nema Premium Efficiency - Meets NEMA 12-12 Rule
Enclosure Construction	Rolled Steel / Cast Iron
Motor Protection Index	IP54
Insulation Class	F

Approval Stamp

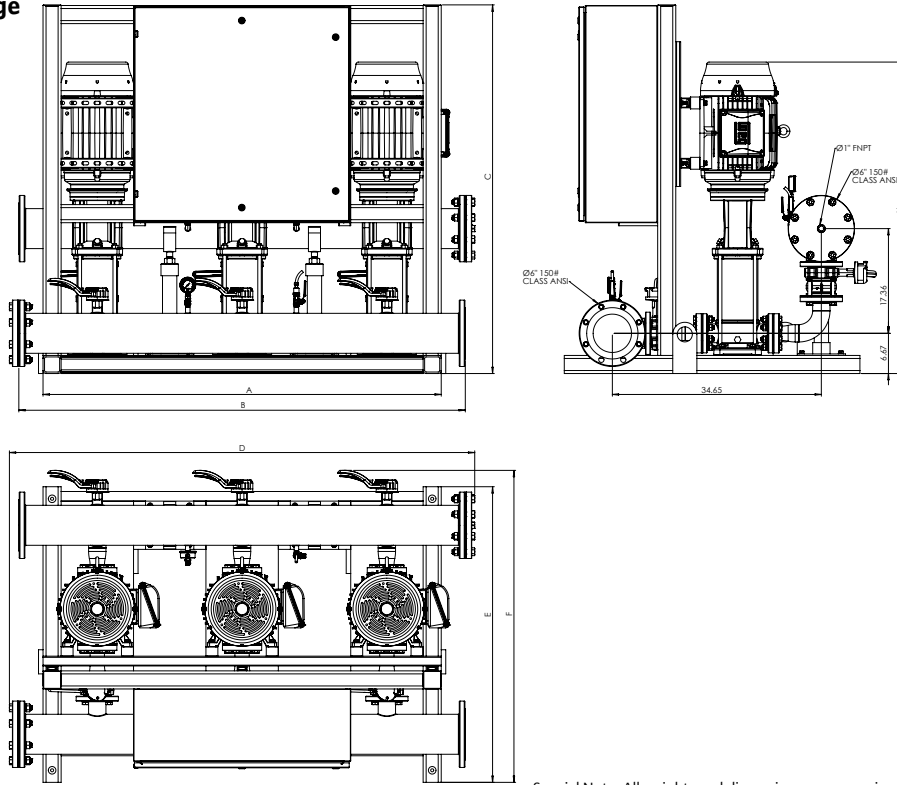
Submittal Data Sheet

Wilo-CO MVI - NSF 61/372 Pressure Boosting System



CO3 MVI-1SB-100

150# Discharge



Special Note: All weights and dimensions are approximate and should not be used as exact rough-in dimensions

CO3 MVI-1SB-100

Model	Article	HP	Voltage	Phase	System Header Size (ANSI)	Pmax (PSI)	Dimensions - Inches (in)								System Weight (Lbs)	TEFC Motor Data (Per Motor)	
							A (in)	B (in)	C (in)	D (in)	E (in)	F (in)	H (in)	Motor FLA (per pump)		System FLA	
CO3 MVI-1SB-100-1	3354754	3	208V-230V	~1 IN/~3 OUT	4" 150#	232	44	48.75	60.16	51.6	46.5	47.08	35.13	1003.06	8.12-7.34	46.6	
CO3 MVI-1SB-100-1	3354901	3	208V-230V	~3	4" 150#	232	44	48.75	60.16	51.6	46.5	47.08	35.13	1003.06	8.12-7.34	29.8	
CO3 MVI-1SB-100-2	3354902	5	208V-230V	~3	4" 150#	232	44	48.75	60.16	51.6	46.5	47.08	36.72	1050.7	13.1-11.8	46.6	
CO3 MVI-1SB-100-3	3354903	7.5	208V-230V	~3	4" 150#	232	44	48.75	60.16	51.6	46.5	47.08	40.73	1236.46	19.2-17.3	64-55	
CO3 MVI-1SB-100-4	3354904	10	208V-230V	~3	4" 150#	232	44	48.75	60.16	51.6	46.5	47.08	44.06	1326.46	25.4-23	85.9-73	
CO3 MVI-1SB-100-5	3354905	15	208V-230V	~3	4" 150#	232	62	74	60.16	76.85	46.5	50.25	51.22	2170.84	38.5-34.8	124-115.6	
CO3 MVI-1SB-100-6	3354906	15	208V-230V	~3	4" 150#	232	62	74	60.16	76.85	46.5	50.25	52.99	2179.84	38.5-34.8	124-115.6	
CO3 MVI-1SB-100-7	3354907	20	208V-230V	~3	4" 150#	232	62	74	64.16	77.24	46.5	50.17	54.77	2200	50.2-45.4	159.1	
CO3 MVI-1SB-100-1	3355191	3	460V	~3	4" 150#	232	44	48.75	60.16	51.6	46.5	47.08	35.13	1003.06	3.67	15.4	
CO3 MVI-1SB-100-2	3355192	5	460V	~3	4" 150#	232	44	48.75	60.16	51.6	46.5	47.08	36.72	1050.7	5.9	25.6	
CO3 MVI-1SB-100-3	3355193	7.5	460V	~3	4" 150#	232	44	48.75	60.16	51.6	46.5	47.08	40.73	1235.08	8.67	34	
CO3 MVI-1SB-100-4	3355194	10	460V	~3	4" 150#	232	44	48.75	60.16	51.6	46.5	47.08	44.06	1325.08	11.5	43	
CO3 MVI-1SB-100-5	3355195	15	460V	~3	4" 150#	232	62	74	60.16	76.85	46.5	46.58	51.22	1903.26	17.4	56.2	
CO3 MVI-1SB-100-6	3355196	15	460V	~3	4" 150#	232	62	74	60.16	76.85	46.5	46.58	52.99	1912.26	17.4	56.2	
CO3 MVI-1SB-100-7	3355197	20	460V	~3	4" 150#	232	62	74	60.16	76.85	46.5	46.58	54.77	1945.26	22.7	75.1	
CO3 MVI-1SB-100-1	3355481	3	575V	~3	4" 150#	232	44	48.75	60.16	51.6	46.5	47.08	35.13	1004.07	2.9	11.5	
CO3 MVI-1SB-100-2	3355482	5	575V	~3	4" 150#	232	44	48.75	60.16	51.6	46.5	47.08	36.72	1052.37	4.72	17.8	
CO3 MVI-1SB-100-3	3355483	7.5	575V	~3	4" 150#	232	44	48.75	60.16	51.6	46.5	47.08	40.73	1242.46	6.94	25.9	
CO3 MVI-1SB-100-4	3355484	10	575V	~3	4" 150#	232	44	48.75	60.16	51.6	46.5	47.08	44.06	1338.46	9.2	35.2	
CO3 MVI-1SB-100-5	3355485	15	575V	~3	4" 150#	232	62	74	60.16	76.85	46.5	50.25	51.22	2063.84	13.8	48.1	
CO3 MVI-1SB-100-6	3355486	15	575V	~3	4" 150#	232	62	74	60.16	76.85	46.5	50.25	52.99	2072.84	13.8	48.1	
CO3 MVI-1SB-100-7	3355487	20	575V	~3	4" 150#	232	62	74	64.16	76.85	46.5	50.25	54.77	2106.92	18.2	65.2	

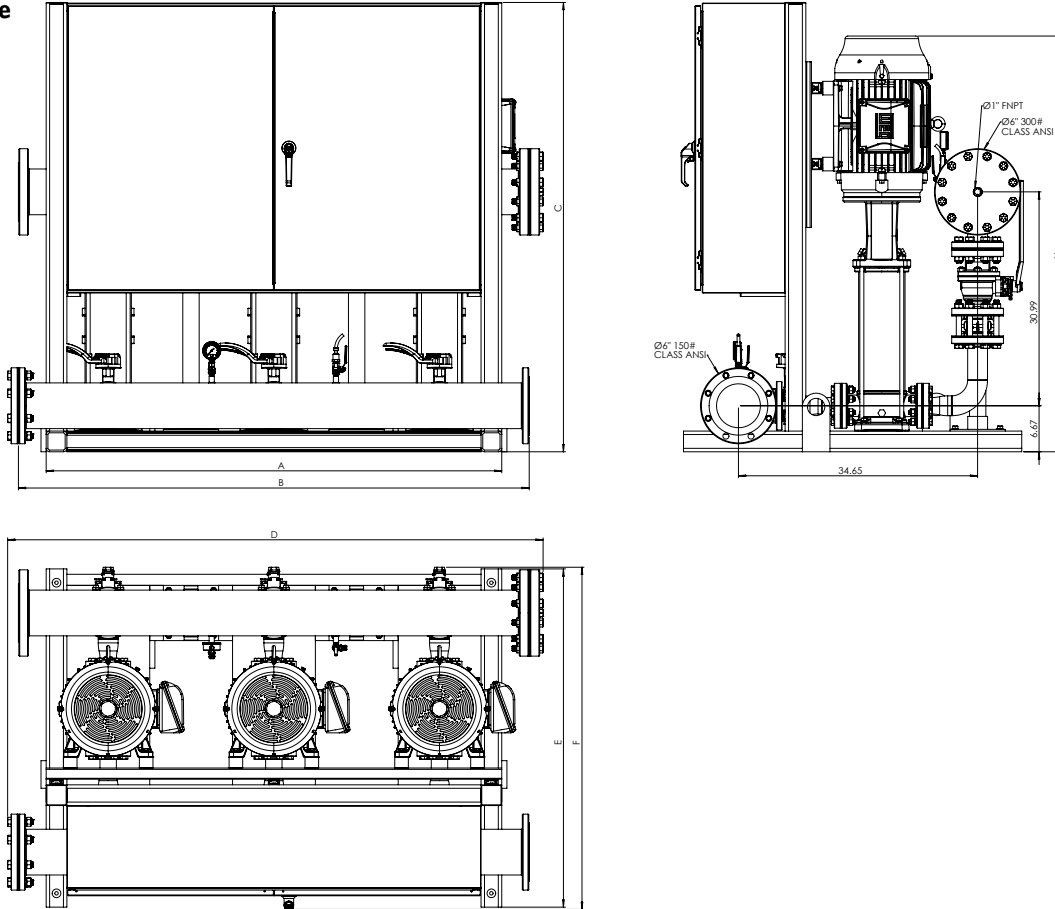
Submittal Data Sheet

Wilo-CO MVI - NSF 61/372 Pressure Boosting System



CO3 MVI-1SB-100

300# Discharge



Special Note: All weights and dimensions are approximate and should not be used as exact rough-in dimensions

CO3 MVI-1SB-100

Model	Article	HP	Voltage	Phase	System Header Size (ANSI)	Pmax (PSI)	A (in)	B (in)	C (in)	Dimensions - Inches (in)				System Weight (Lbs)	TEFC Motor Data (Per Motor)	
										D (in)	E (in)	F (in)	H (in)		Motor FLA (per pump)	System FLA
CO3 MVI-1SB-100-8	3354908	20	208V-230V	~3	4" 300#	363	62	74	64.16	77.24	46.5	50.17	56.54	2111.39	50.2-45.4	159.1
CO3 MVI-1SB-100-10	3354909	25	208V-230V	~3	4" 300#	363	62	74	64.16	77.24	46.5	50.17	61.59	2342.39	63.0-57.6	196
CO3 MVI-1SB-100-8	3355198	20	460V	~3	4" 300#	363	62	74	60.16	77.24	46.5	46.5	56.54	2099.44	22.7	75.1
CO3 MVI-1SB-100-10	3355199	25	460V	~3	4" 300#	363	62	74	60.16	77.24	46.5	49.1	61.59	2598.02	28.8	88.9
CO3 MVI-1SB-100-8	3355488	20	575V	~3	4" 300#	363	62	74	60.16	77.24	46.5	48.35	56.54	2260.02	18.2	65.2
CO3 MVI-1SB-100-10	3355489	25	575V	~3	4" 300#	363	62	74	64.16	77.24	46.5	50.17	61.59	2321.39	23	78.1