

# Submittal Data Sheet

Wilco Star E 21- EC Motor Driven, High-Efficiency, Wet-Rotor, Circulator

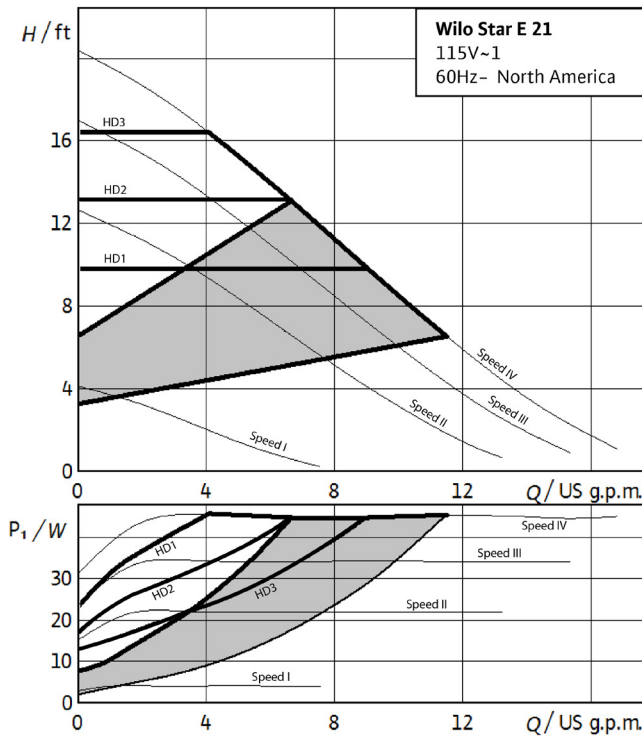


## Star E 21



Project:	
Engineer:	
Contractor:	
Submitted By:	Date:
Approved By:	Date:

Tag #	Model	Check Valve	Speed	Flow	Head	Phase	Voltage	Cycle
	Star E 21					1	115	60Hz



### Technical Data

CEI	0.41
Max. Temp. Range	36°F to 230°F (2°C to 110°C)
Ambient Temp. Range	0°F to 104°F (-17°C to 43°C)
Electrical Connections	1~115
Max. Working Pressure	145 PSI (10 BAR)
Min. Inlet Pressure 185°F (85°C)	0.725 PSI
Min. Inlet Pressure 194°F (90°C)	4.1 PSI
Min. Inlet Pressure 230°F (110°C)	14.5 PSI

### Materials of Construction

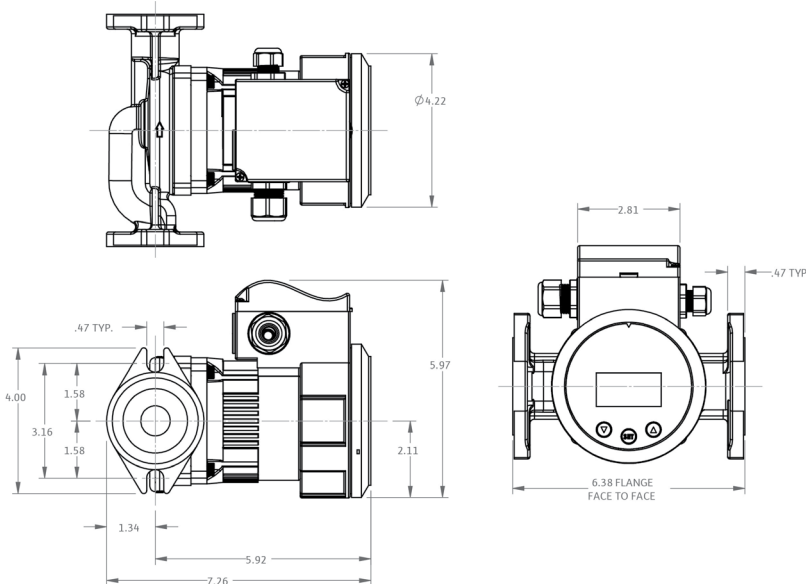
Impeller	Engineered Composite PA66+30% GF
Shaft	Ceramic
Bearing	Ceramic
Pump Housing	Cast Iron HT200
Stator Housing	Cast Aluminum ALSI9CU3
Check Valve (Included but optional)	Plastic Composite

### Applications

- Heating Systems
- Cooling Systems
- Solar Systems
- Water/Glycol up to 50%
- Geothermal Systems

### Motor Data

Horsepower	Watts	FLA
HP	W	Amps
.06	5.2 - 45	.08 - 0.6



Approval Stamp