

Submittal Data Sheet

Wilco NL - Base Mounted End Suction Pumps

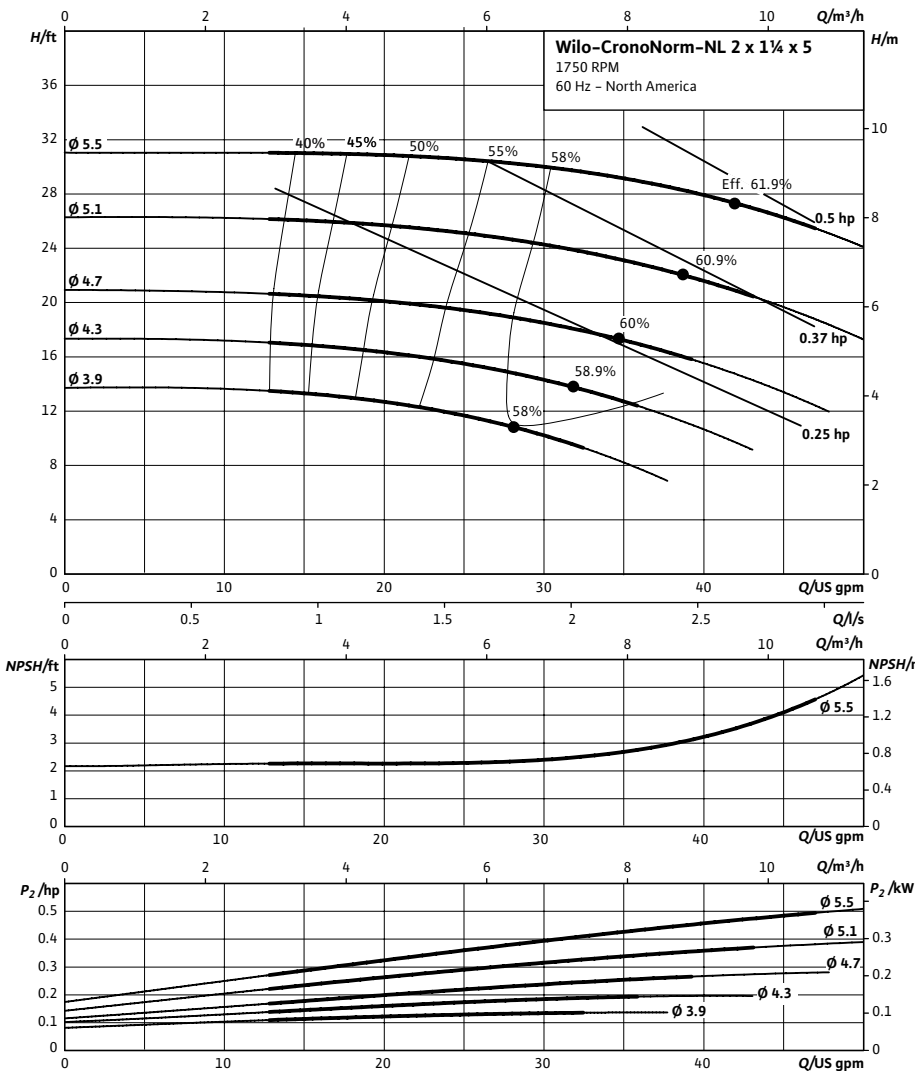


NL 2 x 1 1/4 x 5



Project:	
Engineer:	
Contractor:	
Submitted By:	Date:
Approved By:	Date:

Tag #	Model #	Flow (USGPM)	Head (Feet)	HP	Enclosure TEFC/ODP	Frame	Cycle	Phase	Voltage	RPM
	NL 2 x 1 1/4 x 5						60Hz	3		1750



Technical Data

Approved Fluids
 Heating Water
 Cooling and cold water
 Water-Glycol mixtures (for 20-40% glycol and fluid temp ≤ 104°F (40°C))

Fluid Temperature
 Mechanical Seal: 18°F to 250°F (-8°C to 120°C)
 Stuffing Box Packing: 32°F to 220°F (0°C to 105°C)

Materials of Construction

Pump Housing	C.I. FG260
Impeller	Bronze LG2
Impeller (optional)	C.I. FG260
Pump Shaft	SS AISI 420
Mechanical Seal	Carbon/silicon carbide/EPDM (E1)
Other Mechanical Seals	Avail. on request
Additional Spacer Coupling	Avail. on request
Other:	

Approval Stamp

Submittal Data Sheet

Wilo NL - Base Mounted End Suction Pumps



Dimensions & Weights

Wilo NL



NL 2 x 1¼ x 5

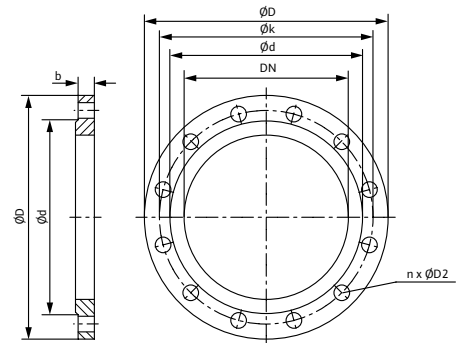
Dimensions - Inches (mm)

Frame	a	A	L	L1	L2	L3	L4	L5	X	HD	H2	H3	H4	Hb	B2	B3	B4	n	S1	S4
56	3.13 (80)	2.63 (67)	33.31 (846)	32.81 (833)	5.88 (149)	21.00 (533)	33.38 (848)	14.38 (365)	.50 (13)	6.81 (173)	5.50 (140)	6.75 (172)	12.31 (313)	2.38 (60)	14.88 (378)	13.13 (334)	10.94 (279)	4	6.44 (164)	.88 (22.35)

Flange Dimensions - Suction Side

Dimensions - Inches (mm)

DN S #125	ØD	Ød	Øk	b	n	D2
2	6 (152)	3.63 (92)	4.75 (121)	.75 (19)	4	.75 (19)



Flange Dimensions - Discharge Side

Dimensions - Inches (mm)

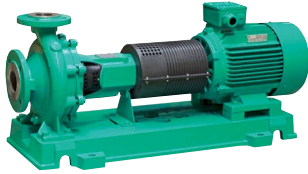
DN D 125#	ØD	Ød	Øk	b	n	D2
1¼	4.63 (118)	2.50 (64)	3.50 (89)	.63 (16)	4	.63 (16)

Submittal Data Sheet

Wilco NL - Base Mounted End Suction Pumps

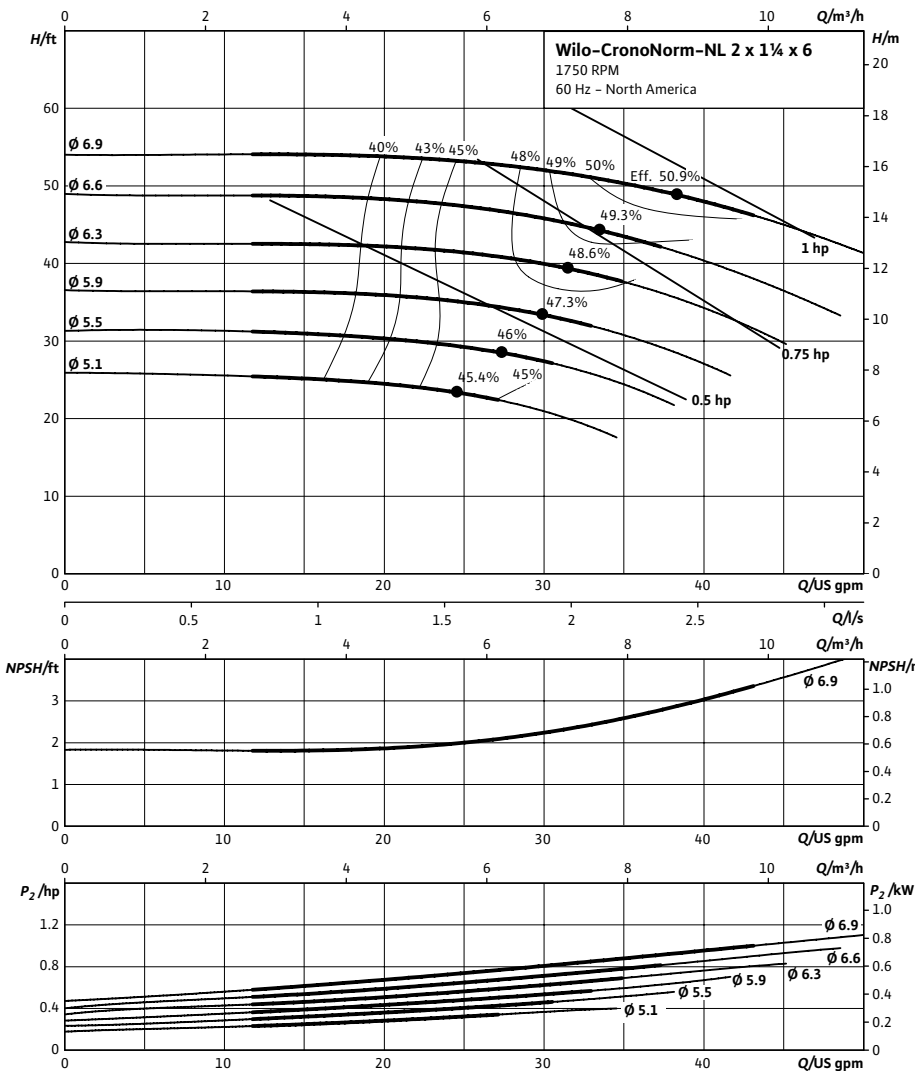


NL 2 x 1 1/4 x 6



Project:										
Engineer:										
Contractor:										
Submitted By:							Date:			
Approved By:							Date:			

Tag #	Model #	Flow (USGPM)	Head (Feet)	HP	Enclosure TEFC/ODP	Frame	Cycle	Phase	Voltage	RPM
	NL 2 x 1 1/4 x 6						60Hz	3		1750



Technical Data

Approved Fluids
Heating Water
Cooling and cold water
Water-Glycol mixtures (for 20-40% glycol and fluid temp ≤ 104°F (40°C))

Fluid Temperature
Mechanical Seal: 18°F to 250°F (-8°C to 120°C)
Stuffing Box Packing: 32°F to 220°F (0°C to 105°C)

Materials of Construction

Pump Housing	C.I. FG260
Impeller	Bronze LG2
Impeller (optional)	C.I. FG260
Pump Shaft	SS AISI 420
Mechanical Seal	Carbon/silicon carbide/EPDM (E1)
Other Mechanical Seals	Avail. on request
Additional Spacer Coupling	Avail. on request
Other:	

Approval Stamp

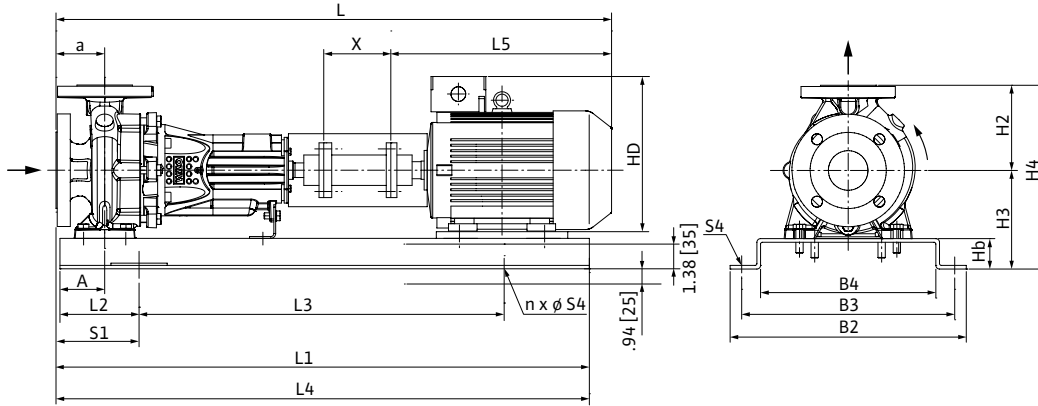
Submittal Data Sheet

Wilo NL - Base Mounted End Suction Pumps



Dimensions & Weights

Wilo NL



NL 2 x 1¼ x 6

Dimensions - Inches (mm)

Frame	a	A	L	L1	L2	L3	L4	L5	X	HD	H2	H3	H4	Hb	B2	B3	B4	n	S1	S4
56	3.13 (80)	2.63 (67)	31.19 (793)	32.81 (833)	5.88 (149)	21.00 (533)	33.38 (848)	14.38 (365)	.50 (13)	6.81 (173)	6.31 (160)	7.56 (192)	13.88 (353)	2.38 (60)	14.88 (378)	13.13 (334)	10.94 (279)	4	6.44 (164)	.88 (22.35)
143T	3.13 (80)	2.63 (67)	33.38 (848)	32.81 (833)	5.88 (149)	21.00 (533)	33.38 (848)	16.50 (419)	.50 (13)	6.81 (173)	6.31 (160)	7.56 (192)	13.88 (353)	2.38 (60)	14.88 (378)	13.13 (334)	10.94 (279)	4	6.44 (164)	.88 (22.35)

Flange Dimensions - Suction Side

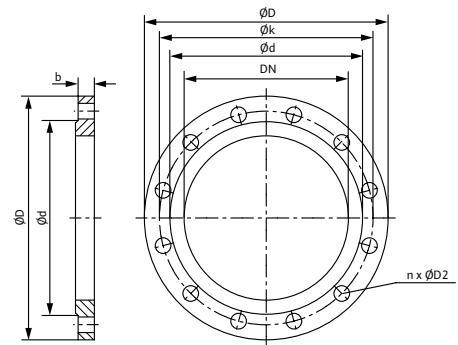
Dimensions - Inches (mm)

DN S #125	ØD	Ød	Øk	b	n	D2
2	6 (152)	3.63 (92)	4.75 (121)	.75 (19)	4	.75 (19)

Flange Dimensions - Discharge Side

Dimensions - Inches (mm)

DN D 125#	ØD	Ød	Øk	b	n	D2
1¼	4.63 (118)	2.50 (64)	3.50 (89)	.63 (16)	4	.63 (16)



Submittal Data Sheet

Wilco NL - Base Mounted End Suction Pumps

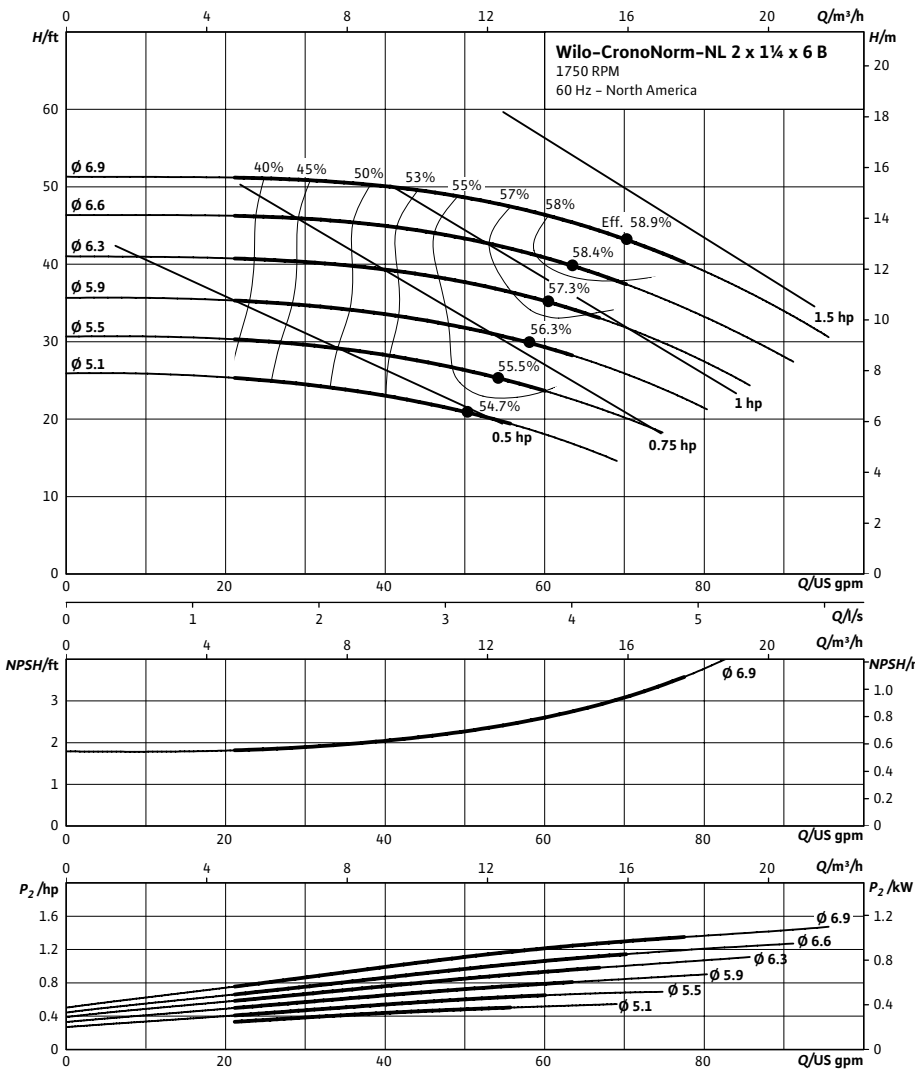


NL 2 x 1¼ x 6B



Project:										
Engineer:										
Contractor:										
Submitted By:							Date:			
Approved By:							Date:			

Tag #	Model #	Flow (USGPM)	Head (Feet)	HP	Enclosure TEFC/ODP	Frame	Cycle	Phase	Voltage	RPM
	NL 2 x 1¼ x 6B						60Hz	3		1750



Technical Data

PEI	
0.95	
Approved Fluids	
Heating Water	
Cooling and cold water	
Water-Glycol mixtures (for 20-40% glycol and fluid temp ≤ 104°F (40°C))	
Fluid Temperature	
Mechanical Seal	18°F to 250°F (-8°C to 120°C)
Stuffing Box Packing	32°F to 220°F (0°C to 105°C)

Materials of Construction

Pump Housing	C.I. FG260
Impeller	Bronze LG2
Impeller (optional)	C.I. FG260
Pump Shaft	SS AISI 420
Mechanical Seal	Carbon/silicon carbide/EPDM (E1)
Other Mechanical Seals	Avail. on request
Additional Spacer Coupling	Avail. on request
Other:	

Approval Stamp

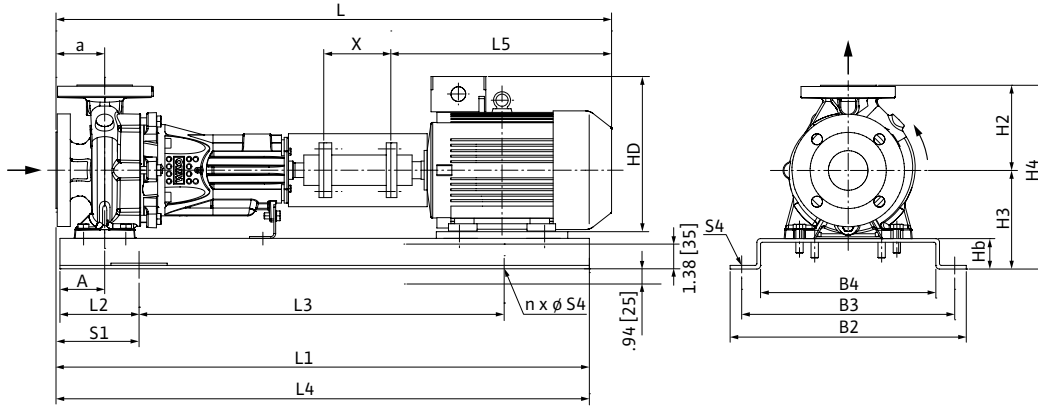
Submittal Data Sheet

Wilo NL - Base Mounted End Suction Pumps



Dimensions & Weights

Wilo NL



NL 2 x 1¼ x 6B

Dimensions - Inches (mm)

Frame	a	A	L	L1	L2	L3	L4	L5	X	HD	H2	H3	H4	Hb	B2	B3	B4	n	S1	S4
56	3.13 (80)	2.63 (67)	31.19 (792)	32.81 (833)	5.88 (149)	21.00 (533)	33.38 (848)	13.38 (340)	.50 (13)	6.38 (162)	6.31 (160)	7.56 (192)	13.88 (353)	2.38 (60)	14.88 (378)	13.13 (334)	10.94 (279)	4	6.44 (164)	.88 (22.35)
143T	3.13 (80)	2.63 (67)	32.19 (817)	32.81 (833)	5.88 (149)	21.00 (533)	33.38 (848)	15.56 (395)	.50 (13)	6.81 (173)	6.31 (160)	7.56 (192)	13.88 (353)	2.38 (60)	14.88 (378)	13.13 (334)	10.94 (279)	4	6.44 (164)	.88 (22.35)
145T	3.13 (80)	2.63 (67)	32.19 (817)	32.81 (833)	5.88 (149)	21.00 (533)	33.38 (848)	15.56 (395)	.50 (13)	6.81 (173)	6.31 (160)	7.56 (192)	13.88 (353)	2.38 (60)	14.88 (378)	13.13 (334)	10.94 (279)	4	6.44 (164)	.88 (22.35)

Flange Dimensions - Suction Side

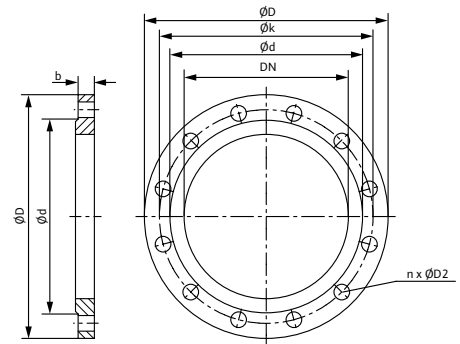
Dimensions - Inches (mm)

DN S #125	ØD	Ød	Øk	b	n	D2
2	6 (152)	3.63 (92)	4.75 (121)	.75 (19)	4	.75 (19)

Flange Dimensions - Discharge Side

Dimensions - Inches (mm)

DND 125#	ØD	Ød	Øk	b	n	D2
1¼	4.63 (118)	2.50 (64)	3.50 (89)	.63 (16)	4	.63 (16)

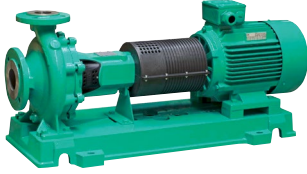


Submittal Data Sheet

Wilco NL - Base Mounted End Suction Pumps

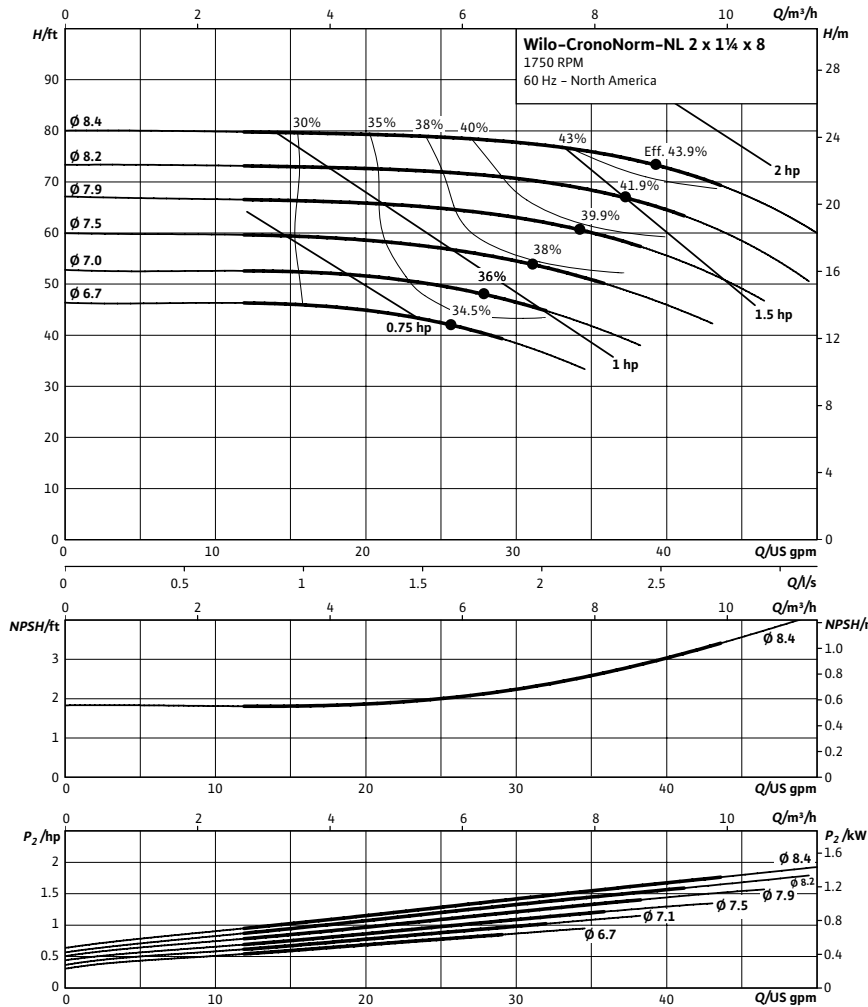


NL 2 x 1 1/4 x 8



Project:	
Engineer:	
Contractor:	
Submitted By:	Date:
Approved By:	Date:

Tag #	Model #	Flow (USGPM)	Head (Feet)	HP	Enclosure TEFC/ODP	Frame	Cycle	Phase	Voltage	RPM
	NL 2 x 1 1/4 x 8						60Hz	3		1750



Technical Data

Approved Fluids

Heating Water
Cooling and cold water

Water-Glycol mixtures (for 20-40% glycol and fluid temp ≤ 104°F (40°C))

Fluid Temperature

Mechanical Seal: 18°F to 250°F (-8°C to 120°C)
Stuffing Box Packing: 32°F to 220°F (0°C to 105°C)

Materials of Construction

<input type="checkbox"/>	Pump Housing	C.I. FG260
<input type="checkbox"/>	Impeller	Bronze LG2
<input type="checkbox"/>	Impeller (optional)	C.I. FG260
<input type="checkbox"/>	Pump Shaft	SS AISI 420
<input type="checkbox"/>	Mechanical Seal	Carbon/silicon carbide/EPDM (E1)
<input type="checkbox"/>	Other Mechanical Seals	Avail. on request
<input type="checkbox"/>	Additional Spacer Coupling	Avail. on request
<input type="checkbox"/>	Other:	

Approval Stamp

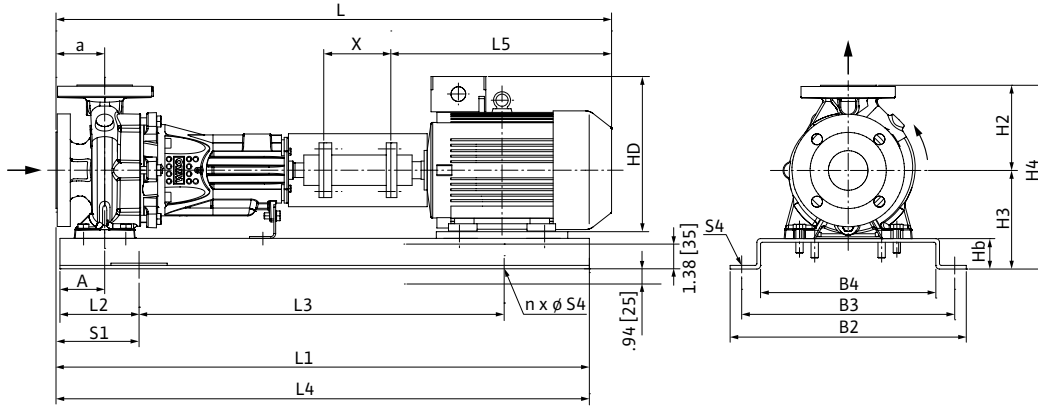
Submittal Data Sheet

Wilo NL – Base Mounted End Suction Pumps



Dimensions & Weights

Wilo NL



NL 2 x 1 1/4 x 8

Dimensions – Inches (mm)

Frame	a	A	L	L1	L2	L3	L4	L5	X	HD	H2	H3	H4	Hb	B2	B3	B4	n	S1	S4
143T	3.13 (80)	2.63 (67)	32.19 (817)	32.81 (833)	5.88 (149)	21.00 (533)	33.38 (848)	14.38 (365)	.50 (13)	6.81 (173)	7.06 (179)	8.69 (221)	15.75 (400)	2.38 (60)	14.88 (378)	13.13 (334)	10.94 (279)	4	6.44 (164)	.88 (22.35)
145T	3.13 (80)	2.63 (67)	32.19 (817)	32.81 (833)	5.88 (149)	21.00 (533)	33.38 (848)	14.38 (365)	.50 (13)	6.81 (173)	7.06 (179)	8.69 (221)	15.75 (400)	2.38 (60)	14.88 (378)	13.13 (334)	10.94 (279)	4	6.44 (164)	.88 (22.35)
182T	3.13 (80)	2.63 (67)	35.88 (911)	32.81 (833)	5.88 (149)	21.00 (533)	33.38 (848)	18.00 (457)	.50 (13)	11.25 (286)	7.06 (179)	8.69 (221)	15.75 (400)	2.38 (60)	14.88 (378)	13.13 (334)	10.94 (279)	4	6.44 (164)	.88 (22.35)

Flange Dimensions – Suction Side

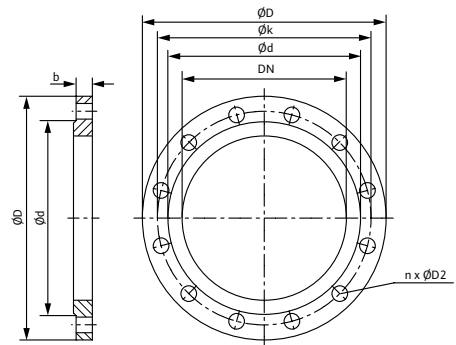
Dimensions – Inches (mm)

DN S #125	ØD	Ød	Øk	b	n	D2
2	6 (152)	3.63 (92)	4.75 (121)	.75 (19)	4	.75 (19)

Flange Dimensions – Discharge Side

Dimensions – Inches (mm)

DN D 125#	ØD	Ød	Øk	b	n	D2
1 1/4	4.63 (118)	2.50 (64)	3.50 (89)	.63 (16)	4	.63 (16)

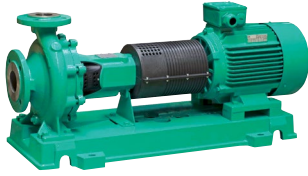


Submittal Data Sheet

Wilco NL - Base Mounted End Suction Pumps

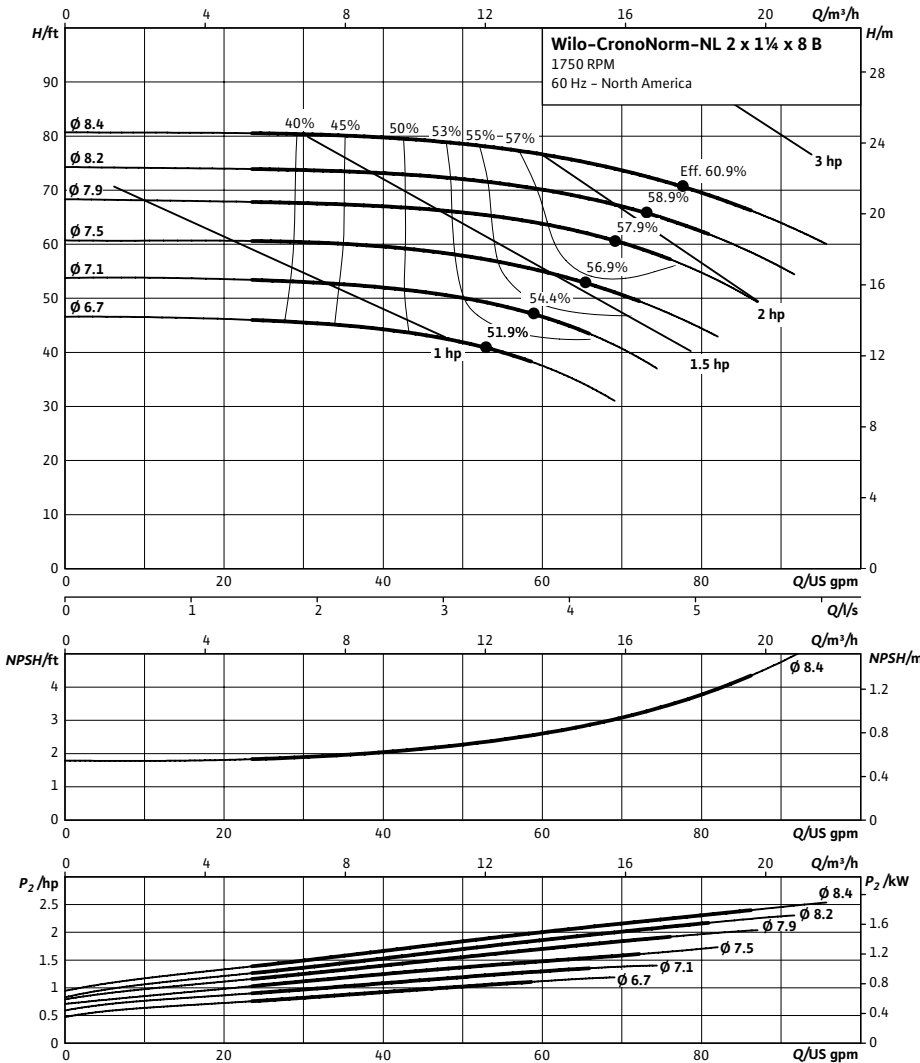


NL 2 x 1 1/4 x 8B



Project:	
Engineer:	
Contractor:	
Submitted By:	Date:
Approved By:	Date:

Tag #	Model #	Flow (USGPM)	Head (Feet)	HP	Enclosure TEFC/ODP	Frame	Cycle	Phase	Voltage	RPM
	NL 2 x 1 1/4 x 8B						60Hz	3		1750



Technical Data

PEI	
0.81	
Approved Fluids	
Heating Water	
Cooling and cold water	
Water-Glycol mixtures (for 20-40% glycol and fluid temp ≤ 104°F (40°C))	
Fluid Temperature	
Mechanical Seal	18°F to 250°F (-8°C to 120°C)
Stuffing Box Packing	32°F to 220°F (0°C to 105°C)

Materials of Construction

Pump Housing	C.I. FG260
Impeller	Bronze LG2
Impeller (optional)	C.I. FG260
Pump Shaft	SS AISI 420
Mechanical Seal	Carbon/silicon carbide/EPDM (E1)
Other Mechanical Seals	Avail. on request
Additional Spacer Coupling	Avail. on request

Other:

Approval Stamp

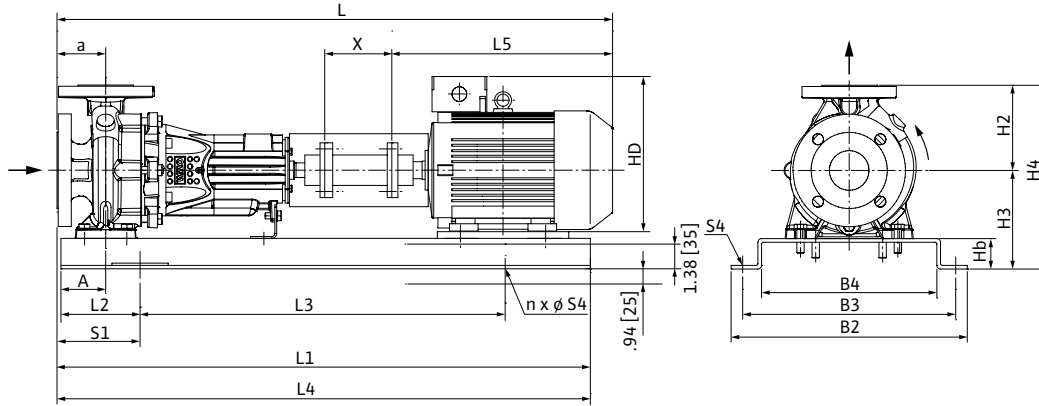
Submittal Data Sheet

Wilo NL - Base Mounted End Suction Pumps



Dimensions & Weights

Wilo NL



NL 2 x 1 1/4 x 8B

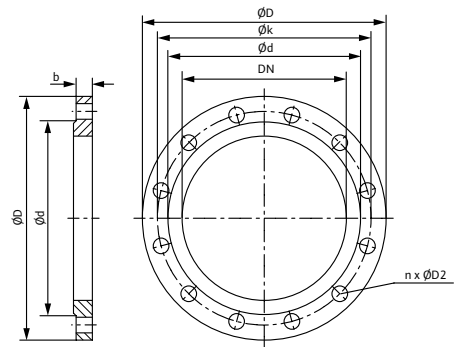
Dimensions - Inches (mm)

Frame	a	A	L	L1	L2	L3	L4	L5	X	HD	H2	H3	H4	Hb	B2	B3	B4	n	S1	S4
143T	3.13 (80)	2.63 (67)	33.38 (848)	32.81 (833)	5.88 (149)	21.00 (533)	33.38 (848)	15.56 (395)	.50 (13)	6.81 (173)	7.06 (179)	8.69 (221)	15.75 (400)	2.38 (60)	14.88 (378)	13.13 (334)	10.94 (279)	4	6.44 (164)	.88 (22.35)
145T	3.13 (80)	2.63 (67)	33.38 (848)	32.81 (833)	5.88 (149)	21.00 (533)	33.38 (848)	15.56 (395)	.50 (13)	6.81 (173)	7.06 (179)	8.69 (221)	15.75 (400)	2.38 (60)	14.88 (378)	13.13 (334)	10.94 (279)	4	6.44 (164)	.88 (22.35)
182T	3.13 (80)	2.63 (67)	33.38 (848)	32.81 (833)	5.88 (149)	21.00 (533)	33.38 (848)	18.00 (457)	.50 (13)	11.25 (286)	7.06 (179)	8.69 (221)	15.75 (400)	2.38 (60)	14.88 (378)	13.13 (334)	10.94 (279)	4	6.44 (164)	.88 (22.35)

Flange Dimensions - Suction Side

Dimensions - Inches (mm)

DN S #125	ØD	Ød	Øk	b	n	D2
2	6 (152)	3.63 (92)	4.75 (121)	.75 (19)	4	.75 (19)



Flange Dimensions - Discharge Side

Dimensions - Inches (mm)

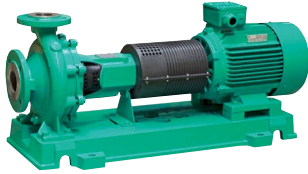
DN D 125#	ØD	Ød	Øk	b	n	D2
1 1/4	4.63 (118)	2.50 (64)	3.50 (89)	.63 (16)	4	.63 (16)

Submittal Data Sheet

Wilco NL - Base Mounted End Suction Pumps

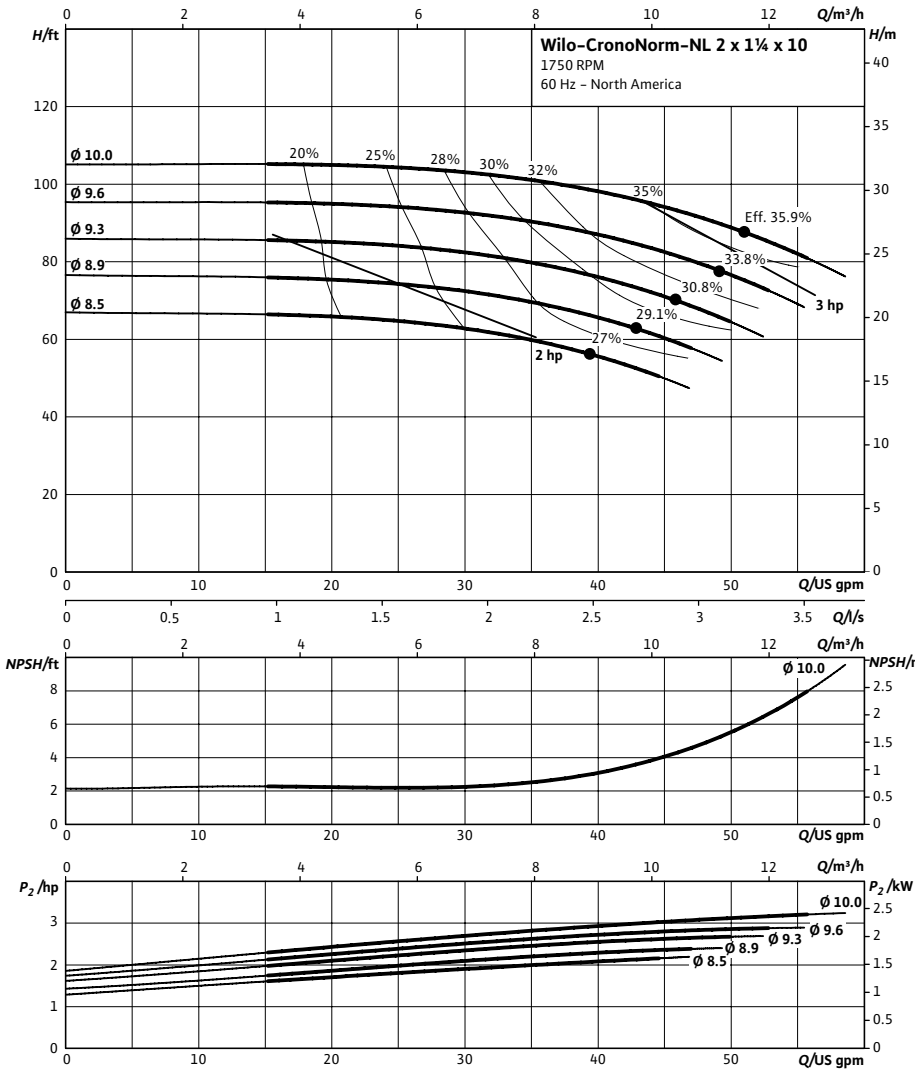


NL 2 x 1 1/4 x 10



Project:	
Engineer:	
Contractor:	
Submitted By:	Date:
Approved By:	Date:

Tag #	Model #	Flow (USGPM)	Head (Feet)	HP	Enclosure TEFC/ODP	Frame	Cycle	Phase	Voltage	RPM
	NL 2 x 1 1/4 x 10						60Hz	3		1750



Technical Data

PEI	
0.90	
Approved Fluids	
Heating Water	
Cooling and cold water	
Water-Glycol mixtures (for 20-40% glycol and fluid temp ≤ 104°F (40°C))	
Fluid Temperature	
Mechanical Seal	18°F to 250°F (-8°C to 120°C)
Stuffing Box Packing	32°F to 220°F (0°C to 105°C)

Materials of Construction

<input type="checkbox"/> Pump Housing	C.I. FG260
<input type="checkbox"/> Impeller	Bronze LG2
<input type="checkbox"/> Impeller (optional)	C.I. FG260
<input type="checkbox"/> Pump Shaft	SS AISI 420
<input type="checkbox"/> Mechanical Seal	Carbon/silicon carbide/EPDM (E1)
<input type="checkbox"/> Other Mechanical Seals	Avail. on request
<input type="checkbox"/> Additional Spacer Coupling	Avail. on request
<input type="checkbox"/> Other:	

Approval Stamp

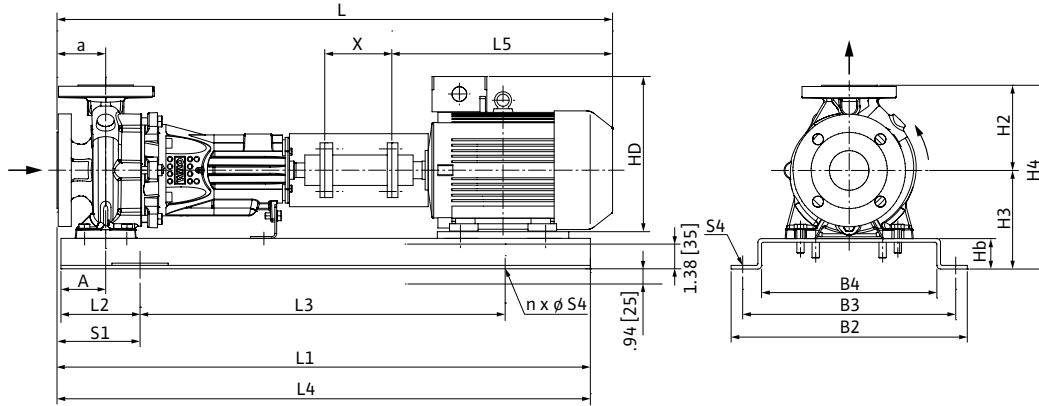
Submittal Data Sheet

Wilo NL – Base Mounted End Suction Pumps



Dimensions & Weights

Wilo NL



NL 2 x 1 1/4 x 10

Dimensions – Inches (mm)

Frame	a	A	L	L1	L2	L3	L4	L5	X	HD	H2	H3	H4	Hb	B2	B3	B4	n	S1	S4
145T	3.94 (100)	3.06 (78)	34.19 (868)	33.38 (848)	5.94 (151)	21.50 (546)	34.25 (870)	15.56 (395)	.5 (13)	6.81 (173)	8.88 (226)	9.44 (240)	18.31 (465)	2.38 (60)	18.38 (467)	17.69 (449)	14.44 (367)	4	6.75 (171)	.88 (22)
182T	3.94 (100)	3.06 (78)	35.13 (893)	33.38 (848)	5.94 (151)	21.50 (546)	34.25 (870)	16.50 (419)	.5 (13)	8.44 (214)	8.88 (226)	9.44 (240)	18.31 (465)	2.38 (60)	18.38 (467)	17.69 (449)	14.44 (367)	4	6.75 (171)	.88 (22)
184T	3.94 (100)	3.06 (78)	36.69 (932)	33.38 (848)	5.94 (151)	21.50 (546)	34.25 (870)	18.06 (459)	.5 (13)	11.25 (286)	8.88 (226)	9.44 (240)	18.31 (465)	2.38 (60)	18.38 (467)	17.69 (449)	14.44 (367)	4	6.75 (171)	.88 (22)

Flange Dimensions – Suction Side

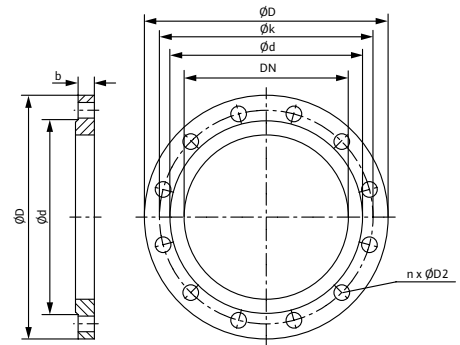
Dimensions – Inches (mm)

DN S #125	ØD	Ød	Øk	b	n	D2
2	6 (152)	3.63 (92)	4.75 (121)	.75 (19)	4	.75 (19)

Flange Dimensions – Discharge Side

Dimensions – Inches (mm)

DN D 125#	ØD	Ød	Øk	b	n	D2
1 1/4	4.63 (118)	2.50 (64)	3.50 (89)	.63 (16)	4	.63 (16)

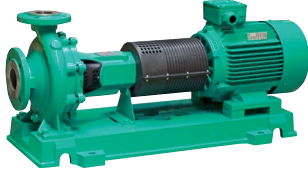


Submittal Data Sheet

Wilco NL - Base Mounted End Suction Pumps

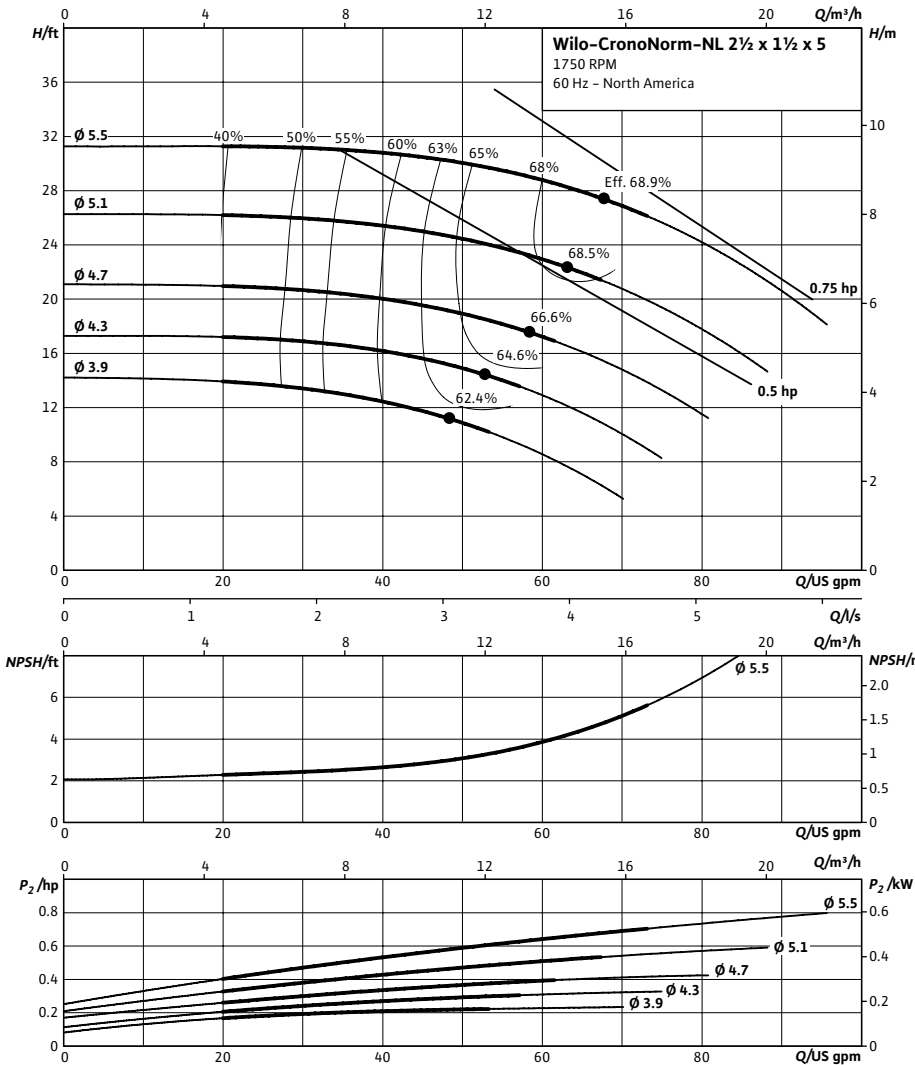


NL 2½ x 1½ x 5



Project:	
Engineer:	
Contractor:	
Submitted By:	Date:
Approved By:	Date:

Tag #	Model #	Flow (USGPM)	Head (Feet)	HP	Enclosure TEFC/ODP	Frame	Cycle	Phase	Voltage	RPM
	NL 2½ x 1½ x 5						60Hz	3		1750



Technical Data

Approved Fluids

- Heating Water
- Cooling and cold water
- Water-Glycol mixtures (for 20-40% glycol and fluid temp ≤ 104°F (40°C))

Fluid Temperature

- Mechanical Seal: 18°F to 250°F (-8°C to 120°C)
- Stuffing Box Packing: 32°F to 220°F (0°C to 105°C)

Materials of Construction

<input type="checkbox"/> Pump Housing	C.I. FG260
<input type="checkbox"/> Impeller	Bronze LG2
<input type="checkbox"/> Impeller (optional)	C.I. FG260
<input type="checkbox"/> Pump Shaft	SS AISI 420
<input type="checkbox"/> Mechanical Seal	Carbon/silicon carbide/EPDM (E1)
<input type="checkbox"/> Other Mechanical Seals	Avail. on request
<input type="checkbox"/> Additional Spacer Coupling	Avail. on request
<input type="checkbox"/> Other:	

Approval Stamp

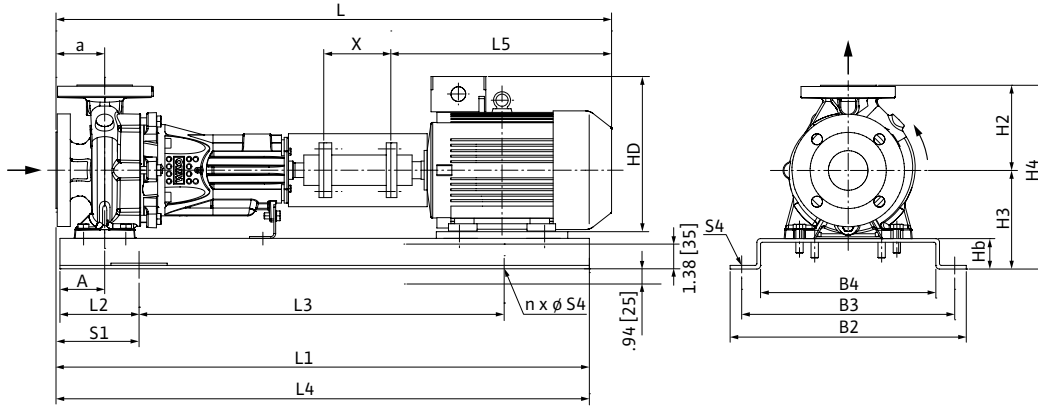
Submittal Data Sheet

Wilo NL – Base Mounted End Suction Pumps



Dimensions & Weights

Wilo NL



NL 2½x 1½ x 5

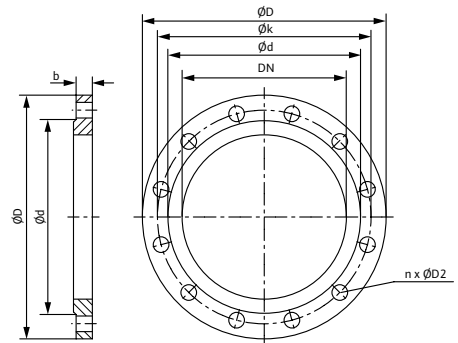
Dimensions - Inches (mm)

Frame	a	A	L	L1	L2	L3	L4	L5	X	HD	H2	H3	H4	Hb	B2	B3	B4	n	S1	S4
56	3.13 (80)	2.63 (67)	33.31 (846)	32.81 (833)	5.94 (151)	21.00 (533)	33.38 (848)	15.50 (394)	.5 (13)	6.81 (173)	5.50 (140)	6.75 (171)	12.25 (311)	2.38 (60)	14.88 (378)	13.13 (334)	10.94 (278)	4	6.06 (154)	.88 (22)
143T	3.13 (80)	2.63 (67)	33.38 (848)	32.81 (833)	5.94 (151)	21.00 (533)	33.38 (848)	15.56 (395)	.5 (13)	6.81 (173)	5.50 (140)	6.75 (171)	12.25 (311)	2.38 (60)	14.88 (378)	13.13 (334)	10.94 (278)	4	6.06 (154)	.88 (22)

Flange Dimensions – Suction Side

Dimensions - Inches (mm)

DN S #125	ØD	Ød	Øk	b	n	D2
2½	7.00 (178)	4.13 (105)	5.50 (140)	.88 (22)	4	.75 (19)



Flange Dimensions – Discharge Side

Dimensions - Inches (mm)

DN D 125#	ØD	Ød	Øk	b	n	D2
1½	5.00 (127)	2.88 (73)	3.88 (99)	.69 (17)	4	.63 (16)

Submittal Data Sheet

Wilco NL - Base Mounted End Suction Pumps

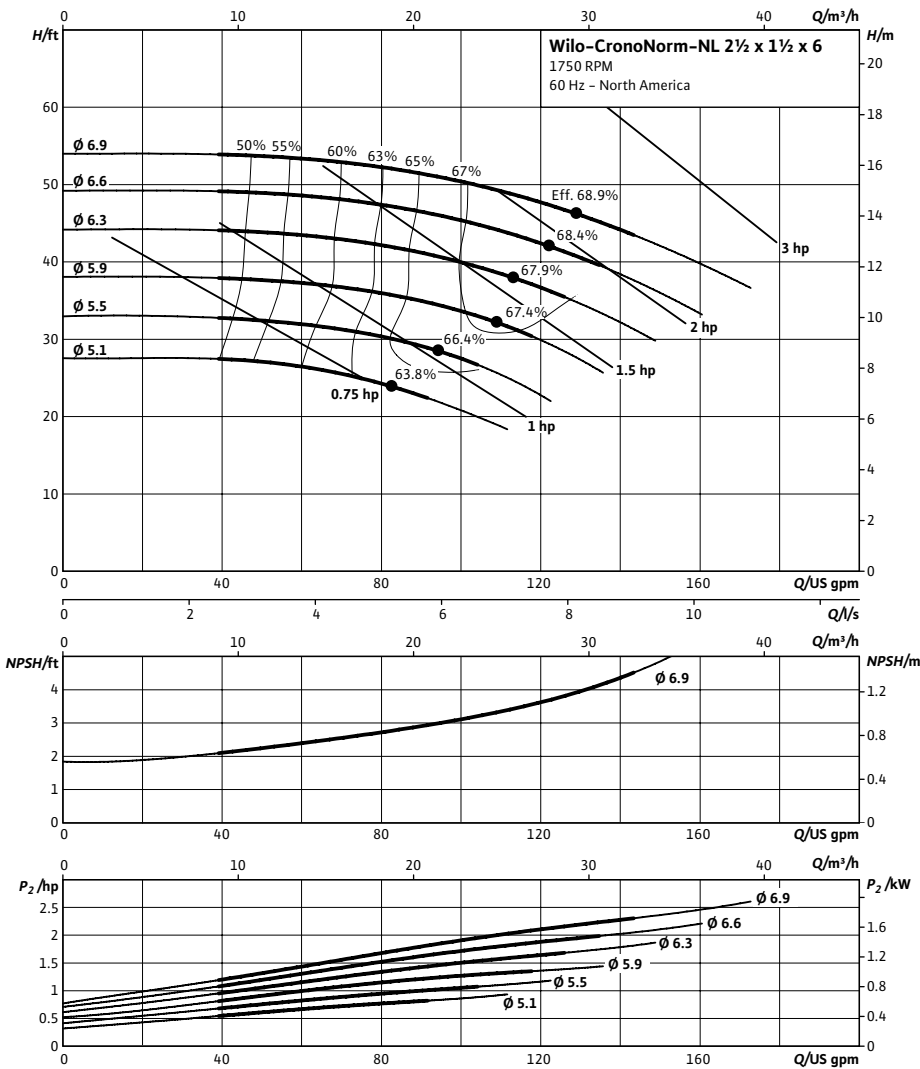


NL 2½ x 1½ x 6



Project:										
Engineer:										
Contractor:										
Submitted By:					Date:					
Approved By:					Date:					

Tag #	Model #	Flow (USGPM)	Head (Feet)	HP	Enclosure TEFC/ODP	Frame	Cycle	Phase	Voltage	RPM
	NL 2½ x 1½ x 6						60Hz	3		1750



Technical Data

PEI	0.93
Approved Fluids	Heating Water Cooling and cold water Water-Glycol mixtures (for 20-40% glycol and fluid temp ≤ 104°F (40°C))
Fluid Temperature	Mechanical Seal: 18°F to 250°F (-8°C to 120°C) Stuffing Box Packing: 32°F to 220°F (0°C to 105°C)

Materials of Construction

<input type="checkbox"/> Pump Housing	C.I. FG260
<input type="checkbox"/> Impeller	Bronze LG2
<input type="checkbox"/> Impeller (optional)	C.I. FG260
<input type="checkbox"/> Pump Shaft	SS AISI 420
<input type="checkbox"/> Mechanical Seal	Carbon/silicon carbide/EPDM (E1)
<input type="checkbox"/> Other Mechanical Seals	Avail. on request
<input type="checkbox"/> Additional Spacer Coupling	Avail. on request
<input type="checkbox"/> Other:	

Approval Stamp

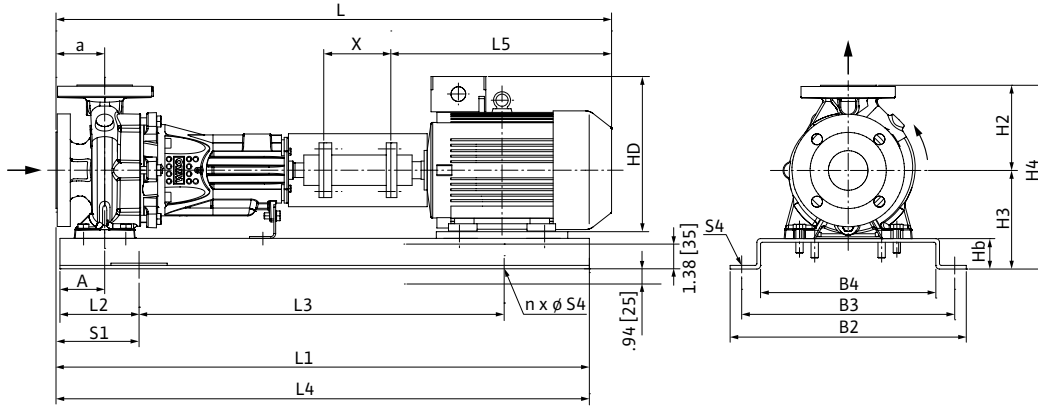
Submittal Data Sheet

Wilo NL – Base Mounted End Suction Pumps



Dimensions & Weights

Wilo NL



NL 2½x 1½ x 6

Dimensions – Inches (mm)

Frame	a	A	L	L1	L2	L3	L4	L5	X	HD	H2	H3	H4	Hb	B2	B3	B4	n	S1	S4
56	3.13 (80)	2.63 (67)	31.19 (792)	32.81 (833)	5.94 (151)	21.00 (533)	33.44 (849)	13.38 (340)	.5 (13)	6.38 (162)	6.31 (160)	7.56 (192)	13.88 (353)	2.38 (60)	14.88 (378)	13.13 (334)	10.94 (278)	4	6.44 (163)	.88 (22)
143T	3.13 (80)	2.63 (67)	33.38 (849)	32.81 (833)	5.94 (151)	21.00 (533)	33.44 (849)	15.56 (395)	.5 (13)	6.81 (173)	6.31 (160)	7.56 (192)	13.88 (353)	2.38 (60)	14.88 (378)	13.13 (334)	10.94 (278)	4	6.44 (163)	.88 (22)
145T	3.13 (80)	2.63 (67)	33.38 (849)	32.81 (833)	5.94 (151)	21.00 (533)	33.44 (849)	15.56 (395)	.5 (13)	6.81 (173)	6.31 (160)	7.56 (192)	13.88 (353)	2.38 (60)	14.88 (378)	13.13 (334)	10.94 (278)	4	6.44 (163)	.88 (22)
182T	3.13 (80)	2.63 (67)	35.88 (911)	32.81 (833)	5.94 (151)	21.00 (533)	33.44 (849)	18.06 (459)	.5 (13)	11.25 (286)	6.31 (160)	7.56 (192)	13.88 (353)	2.38 (60)	14.88 (378)	13.13 (334)	10.94 (278)	4	6.44 (163)	.88 (22)
184T	3.13 (80)	2.63 (67)	35.88 (911)	32.81 (833)	5.94 (151)	21.00 (533)	33.44 (849)	18.06 (459)	.5 (13)	11.25 (286)	6.31 (160)	7.56 (192)	13.88 (353)	2.38 (60)	14.88 (378)	13.13 (334)	10.94 (278)	4	6.44 (163)	.88 (22)

Flange Dimensions – Suction Side

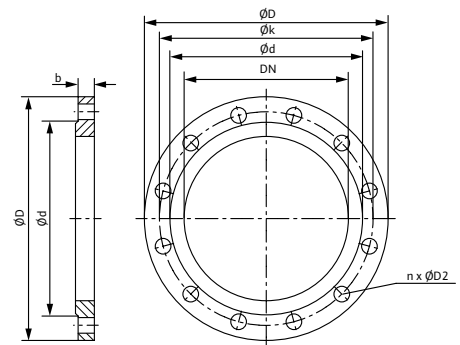
Dimensions – Inches (mm)

DN S #125	ØD	Ød	Øk	b	n	D2
2½	7.00 (178)	4.13 (105)	5.50 (140)	.88 (22)	4	.75 (19)

Flange Dimensions – Discharge Side

Dimensions – Inches (mm)

DN D 125#	ØD	Ød	Øk	b	n	D2
1½	5.00 (127)	2.88 (73)	3.88 (99)	.69 (17)	4	.63 (16)



Submittal Data Sheet

Wilco NL - Base Mounted End Suction Pumps

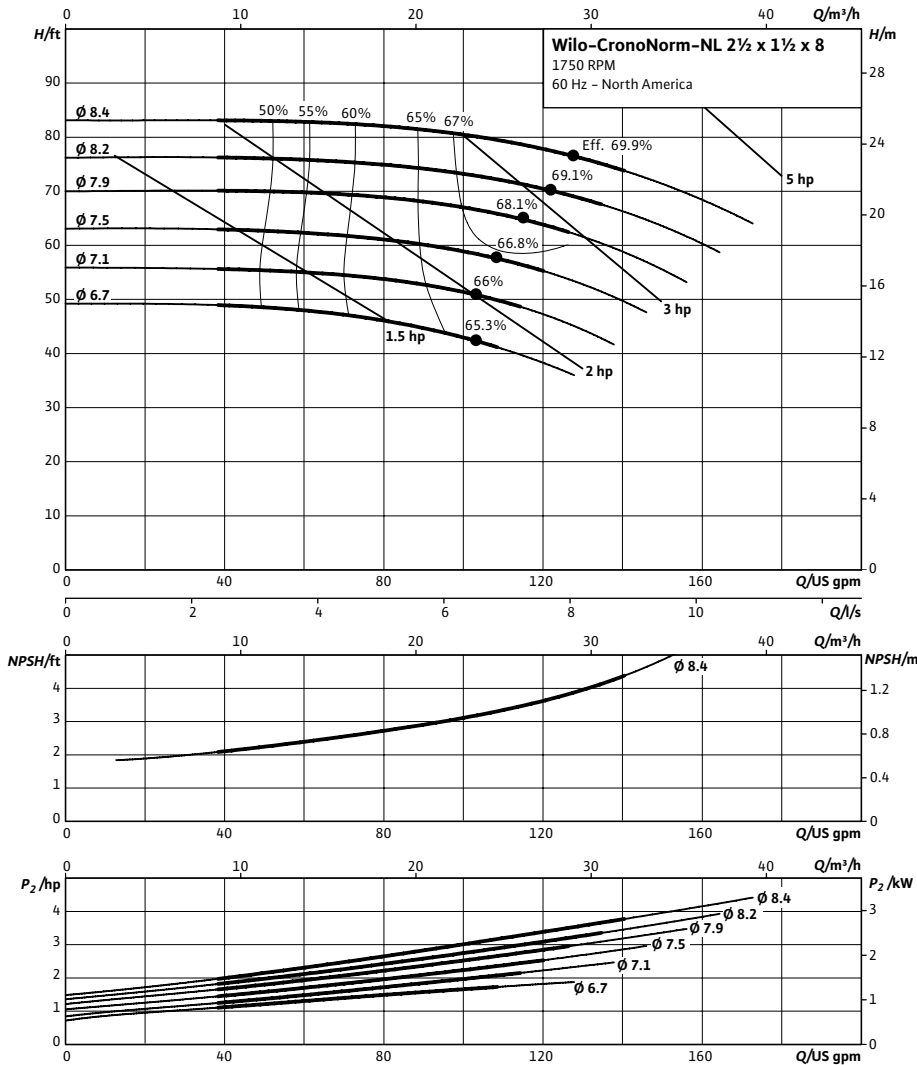


NL 2½ x 1½ x 8



Project:	
Engineer:	
Contractor:	
Submitted By:	Date:
Approved By:	Date:

Tag #	Model #	Flow (USGPM)	Head (Feet)	HP	Enclosure TEFC/ODP	Frame	Cycle	Phase	Voltage	RPM
	NL 2½ x 1½ x 8						60Hz	3		1750



Technical Data

PEI	
0.83	
Approved Fluids	
Heating Water	
Cooling and cold water	
Water-Glycol mixtures (for 20-40% glycol and fluid temp ≤ 104°F (40°C))	
Fluid Temperature	
Mechanical Seal	18°F to 250°F (-8°C to 120°C)
Stuffing Box Packing	32°F to 220°F (0°C to 105°C)

Materials of Construction

<input type="checkbox"/> Pump Housing	C.I. FG260
<input type="checkbox"/> Impeller	Bronze LG2
<input type="checkbox"/> Impeller (optional)	C.I. FG260
<input type="checkbox"/> Pump Shaft	SS AISI 420
<input type="checkbox"/> Mechanical Seal	Carbon/silicon carbide/EPDM (E1)
<input type="checkbox"/> Other Mechanical Seals	Avail. on request
<input type="checkbox"/> Additional Spacer Coupling	Avail. on request
<input type="checkbox"/> Other:	

Approval Stamp

Submittal Data Sheet

Wilo NL - Base Mounted End Suction Pumps



Dimensions & Weights

Wilo NL



NL 2½x 1½ x 8

Dimensions - Inches (mm)

Frame	a	A	L	L1	L2	L3	L4	L5	X	HD	H2	H3	H4	Hb	B2	B3	B4	n	S1	S4
145T	3.94 (100)	3.06 (78)	34.19 (868)	33.38 (849)	5.94 (151)	21.56 (548)	34.25 (870)	15.56 (395)	.5 (13)	6.81 (173)	7.06 (179)	8.69 (221)	15.75 (400)	2.38 (61)	18.38 (467)	16.69 (424)	14.44 (367)	4	6.75 (171)	.88 (22)
182T	3.94 (100)	3.06 (78)	36.69 (932)	33.38 (849)	5.94 (151)	21.56 (548)	34.25 (870)	18.06 (459)	.5 (13)	11.25 (286)	7.06 (179)	8.69 (221)	15.75 (400)	2.38 (61)	18.38 (467)	16.69 (424)	14.44 (367)	4	6.75 (171)	.88 (22)
184T	3.94 (100)	3.06 (78)	36.69 (932)	33.38 (849)	5.94 (151)	21.56 (548)	34.25 (870)	18.06 (459)	.5 (13)	11.25 (286)	7.06 (179)	8.69 (221)	15.75 (400)	2.38 (61)	18.38 (467)	16.69 (424)	14.44 (367)	4	6.75 (171)	.88 (22)

Flange Dimensions - Suction Side

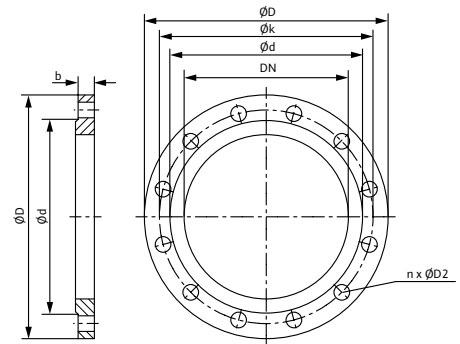
Dimensions - Inches (mm)

DN S #125	ØD	Ød	Øk	b	n	D2
2½	7.00 (178)	4.13 (105)	5.50 (140)	.88 (22)	4	.75 (19)

Flange Dimensions - Discharge Side

Dimensions - Inches (mm)

DN D 125#	ØD	Ød	Øk	b	n	D2
1½	5.00 (127)	2.88 (73)	3.88 (99)	.69 (17)	4	.63 (16)



Submittal Data Sheet

Wilco NL - Base Mounted End Suction Pumps

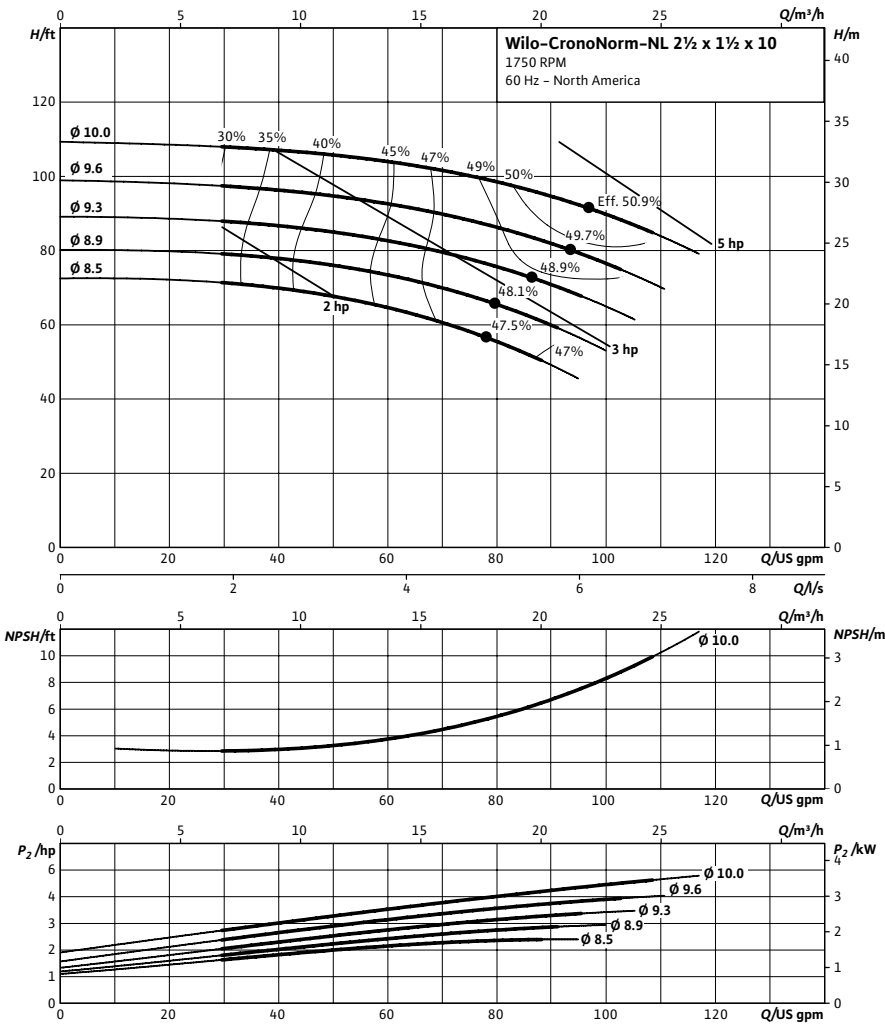


NL 2½ x 1½ x 10



Project:	
Engineer:	
Contractor:	
Submitted By:	Date:
Approved By:	Date:

Tag #	Model #	Flow (USGPM)	Head (Feet)	HP	Enclosure TEFC/ODP	Frame	Cycle	Phase	Voltage	RPM
	NL 2½ x 1½ x 10						60Hz	3		1750



Technical Data

PEI	
0.95	
Approved Fluids	
Heating Water	
Cooling and cold water	
Water-Glycol mixtures (for 20-40% glycol and fluid temp ≤ 104°F (40°C))	
Fluid Temperature	
Mechanical Seal	18°F to 250°F (-8°C to 120°C)
Stuffing Box Packing	32°F to 220°F (0°C to 105°C)

Materials of Construction

<input type="checkbox"/>	Pump Housing	C.I. FG260
<input type="checkbox"/>	Impeller	Bronze LG2
<input type="checkbox"/>	Impeller (optional)	C.I. FG260
<input type="checkbox"/>	Pump Shaft	SS AISI 420
<input type="checkbox"/>	Mechanical Seal	Carbon/silicon carbide/EPDM (E1)
<input type="checkbox"/>	Other Mechanical Seals	Avail. on request
<input type="checkbox"/>	Additional Spacer Coupling	Avail. on request
<input type="checkbox"/>	Other:	

Approval Stamp

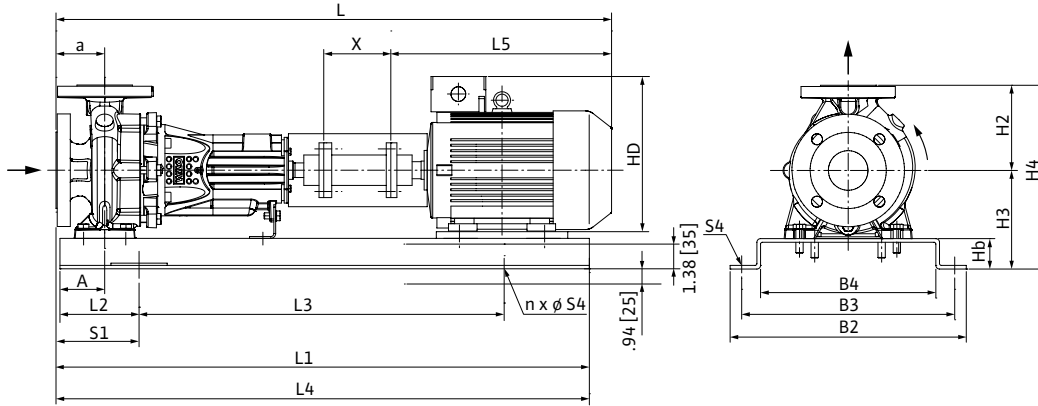
Submittal Data Sheet

Wilo NL – Base Mounted End Suction Pumps



Dimensions & Weights

Wilo NL



NL 2½x 1½ x 10

Dimensions – Inches (mm)

Frame	a	A	L	L1	L2	L3	L4	L5	X	HD	H2	H3	H4	Hb	B2	B3	B4	n	S1	S4
145T	3.94 (100)	3.06 (78)	34.19 (868)	33.38 (848)	5.94 (151)	21.50 (546)	34.25 (870)	15.56 (395)	.5 (13)	6.81 (173)	8.88 (226)	9.44 (240)	18.31 (465)	2.38 (60)	18.38 (467)	16.63 (422)	14.44 (367)	4	6.75 (171)	.88 (22)
182T	3.94 (100)	3.06 (78)	35.13 (893)	33.38 (848)	5.94 (151)	21.50 (546)	34.25 (870)	16.50 (419)	.5 (13)	8.44 (214)	8.88 (226)	9.44 (240)	18.31 (465)	2.38 (60)	18.38 (467)	16.63 (422)	14.44 (367)	4	6.75 (171)	.88 (22)
184T	3.94 (100)	3.06 (78)	36.69 (932)	33.38 (848)	5.94 (151)	21.50 (546)	34.25 (870)	18.06 (459)	.5 (13)	11.25 (286)	8.88 (226)	9.44 (240)	18.31 (465)	2.38 (60)	18.38 (467)	16.63 (422)	14.44 (367)	4	6.75 (171)	.88 (22)
213T	3.94 (100)	3.06 (78)	39.13 (994)	33.38 (848)	5.94 (151)	21.50 (546)	34.25 (870)	20.50 (521)	.5 (13)	13.00 (330)	8.88 (226)	9.44 (240)	18.31 (465)	2.38 (60)	18.38 (467)	16.63 (422)	14.44 (367)	4	6.75 (171)	.88 (22)

Flange Dimensions – Suction Side

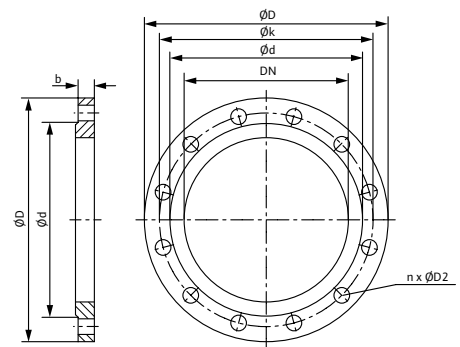
Dimensions – Inches (mm)

DN S #125	ØD	Ød	Øk	b	n	D2
2½	7.00 (178)	4.13 (105)	5.50 (140)	.88 (22)	4	.75 (19)

Flange Dimensions – Discharge Side

Dimensions – Inches (mm)

DN D 125#	ØD	Ød	Øk	b	n	D2
1½	5.00 (127)	2.88 (73)	3.88 (99)	.69 (17)	4	.63 (16)



Submittal Data Sheet

Wilo NL - Base Mounted End Suction Pumps

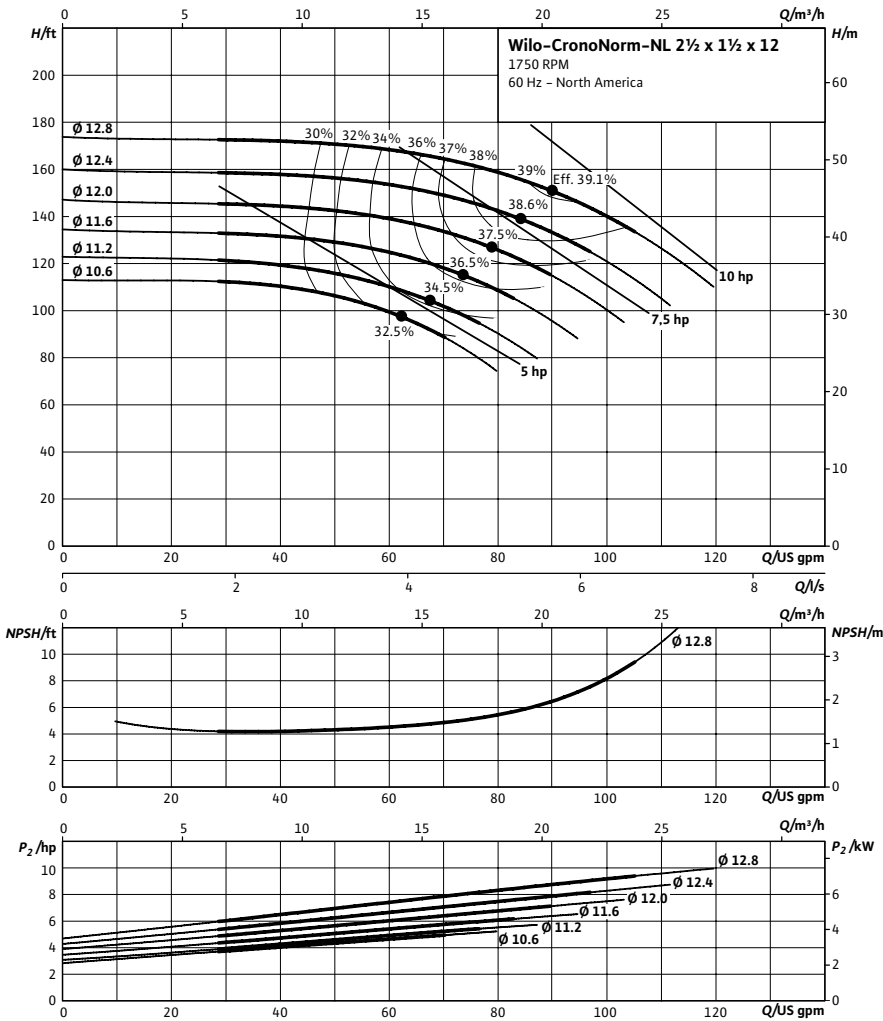


NL 2½ x 1½ x 12



Project:	
Engineer:	
Contractor:	
Submitted By:	Date:
Approved By:	Date:

Tag #	Model #	Flow (USGPM)	Head (Feet)	HP	Enclosure TEFC/ODP	Frame	Cycle	Phase	Voltage	RPM
	NL 2½ x 1½ x 12						60Hz	3		1750



Technical Data

PEI	
0.83	
Approved Fluids	
Heating Water	
Cooling and cold water	
Water-Glycol mixtures (for 20-40% glycol and fluid temp ≤ 104°F (40°C))	
Fluid Temperature	
Mechanical Seal	18°F to 250°F (-8°C to 120°C)
Stuffing Box Packing	32°F to 220°F (0°C to 105°C)

Materials of Construction

<input type="checkbox"/> Pump Housing	C.I. FG260
<input type="checkbox"/> Impeller	Bronze LG2
<input type="checkbox"/> Impeller (optional)	C.I. FG260
<input type="checkbox"/> Pump Shaft	SS AISI 420
<input type="checkbox"/> Mechanical Seal	Carbon/silicon carbide/EPDM (E1)
<input type="checkbox"/> Other Mechanical Seals	Avail. on request
<input type="checkbox"/> Additional Spacer Coupling	Avail. on request
<input type="checkbox"/> Other:	

Approval Stamp

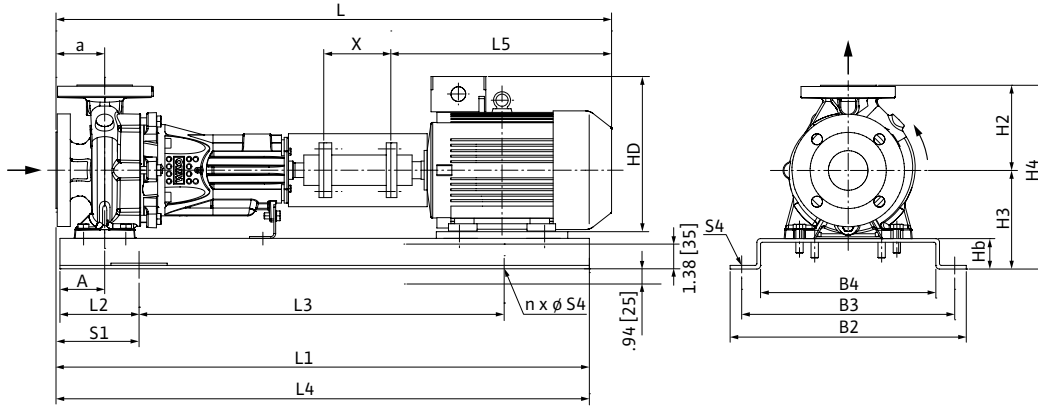
Submittal Data Sheet

Wilo NL – Base Mounted End Suction Pumps



Dimensions & Weights

Wilo NL



NL 2½x 1½ x 12

Dimensions – Inches (mm)

Frame	a	A	L	L1	L2	L3	L4	L5	X	HD	H2	H3	H4	Hb	B2	B3	B4	n	S1	S4
182T	4.94 (125)	3.75 (95)	42.00 (1067)	45.25 (1149)	7.88 (200)	29.50 (749)	46.50 (1181)	18.06 (459)	.5 (13)	11.25 (286)	9.88 (251)	13.13 (334)	23.00 (584)	4.25 (108)	16.19 (411)	14.75 (375)	13.00 (330)	4	9.00 (229)	.63 (16)
184T	4.94 (125)	3.75 (95)	42.00 (1067)	45.25 (1149)	7.88 (200)	29.50 (749)	46.50 (1181)	18.06 (459)	.5 (13)	11.25 (286)	9.88 (251)	13.13 (334)	23.00 (584)	4.25 (108)	16.19 (411)	14.75 (375)	13.00 (330)	4	9.00 (229)	.63 (16)
213T	4.94 (125)	3.75 (95)	44.44 (1129)	45.25 (1149)	7.88 (200)	29.50 (749)	46.50 (1181)	20.50 (521)	.5 (13)	13.00 (330)	9.88 (251)	13.13 (334)	23.00 (584)	4.25 (108)	16.19 (411)	14.75 (375)	13.00 (330)	4	9.00 (229)	.63 (16)
215T	4.94 (125)	3.75 (95)	44.44 (1129)	45.25 (1149)	7.88 (200)	29.50 (749)	46.50 (1181)	20.50 (521)	.5 (13)	13.00 (330)	9.88 (251)	13.13 (334)	23.00 (584)	4.25 (108)	16.19 (411)	14.75 (375)	13.00 (330)	4	9.00 (229)	.63 (16)
254T	4.94 (125)	3.75 (95)	47.06 (1195)	45.25 (1149)	7.88 (200)	29.50 (749)	46.50 (1181)	23.19 (589)	.5 (13)	15.63 (397)	9.88 (251)	13.13 (334)	23.00 (584)	4.25 (108)	16.19 (411)	14.75 (375)	13.00 (330)	4	9.00 (229)	.63 (16)

Flange Dimensions – Suction Side

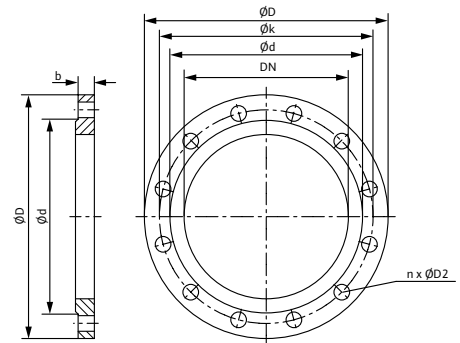
Dimensions – Inches (mm)

DN S #125	ØD	Ød	Øk	b	n	D2
2½	7.00 (178)	4.13 (105)	5.50 (140)	.88 (22)	4	.75 (19)

Flange Dimensions – Discharge Side

Dimensions – Inches (mm)

DN D 125#	ØD	Ød	Øk	b	n	D2
1½	5.00 (127)	2.88 (73)	3.88 (99)	.69 (17)	4	.63 (16)

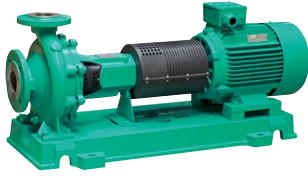


Submittal Data Sheet

Wilco NL - Base Mounted End Suction Pumps

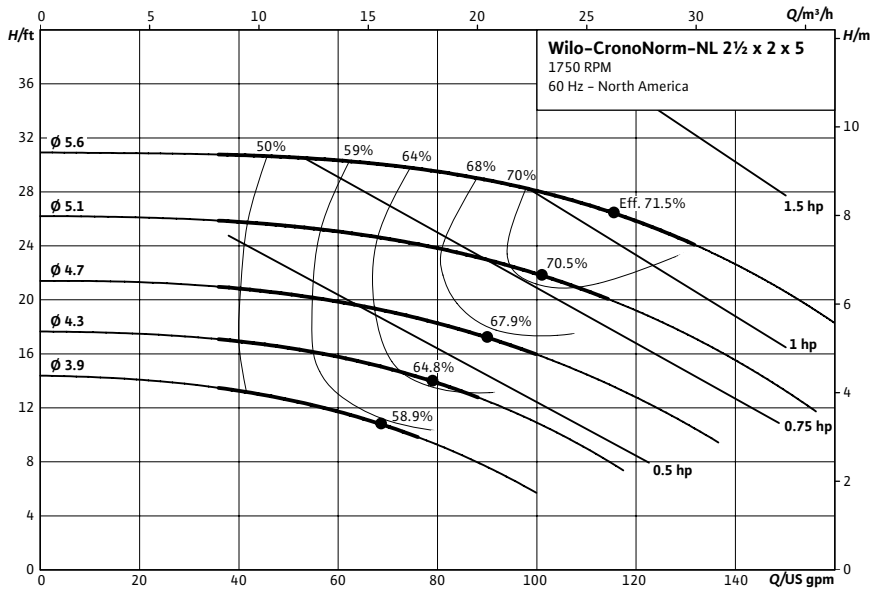


NL 2½ x 2 x 5



Project:	
Engineer:	
Contractor:	
Submitted By:	Date:
Approved By:	Date:

Tag #	Model #	Flow (USGPM)	Head (Feet)	HP	Enclosure TEFC/ODP	Frame	Cycle	Phase	Voltage	RPM
	NL 2½ x 2 x 5						60Hz	3		1750

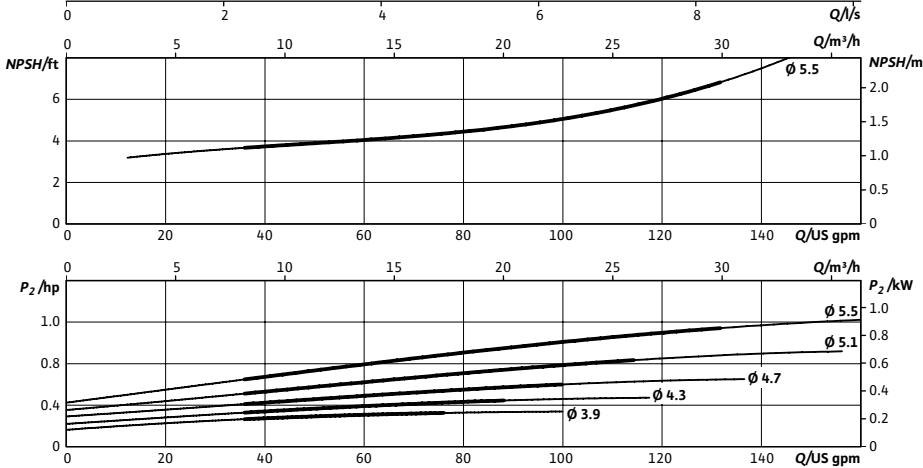


Technical Data

PEI	
0.97	
Approved Fluids	
Heating Water	
Cooling and cold water	
Water-Glycol mixtures (for 20-40% glycol and fluid temp ≤ 104°F (40°C))	
Fluid Temperature	
Mechanical Seal	18°F to 250°F (-8°C to 120°C)
Stuffing Box Packing	32°F to 220°F (0°C to 105°C)

Materials of Construction

<input type="checkbox"/> Pump Housing	C.I. FG260
<input type="checkbox"/> Impeller	Bronze LG2
<input type="checkbox"/> Impeller (optional)	C.I. FG260
<input type="checkbox"/> Pump Shaft	SS AISI 420
<input type="checkbox"/> Mechanical Seal	Carbon/silicon carbide/EPDM (E1)
<input type="checkbox"/> Other Mechanical Seals	Avail. on request
<input type="checkbox"/> Additional Spacer Coupling	Avail. on request
<input type="checkbox"/> Other:	



Approval Stamp

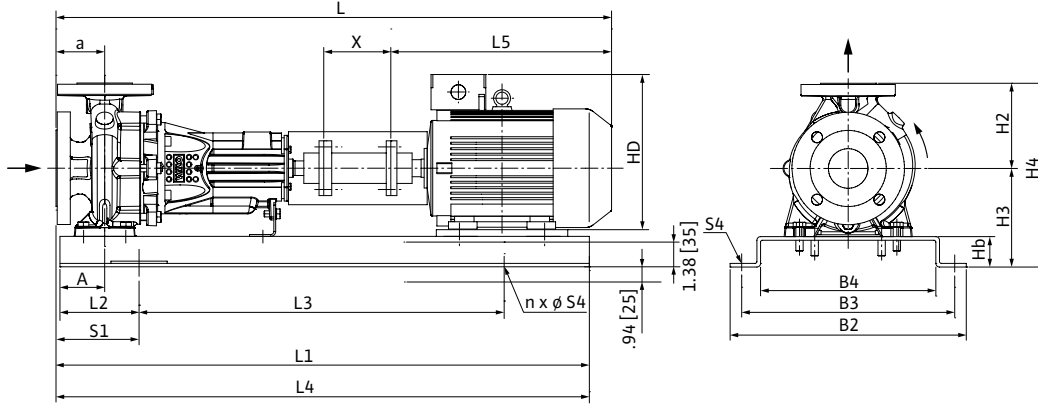
Submittal Data Sheet

Wilo NL – Base Mounted End Suction Pumps



Dimensions & Weights

Wilo NL



NL 2½x 2 x 5

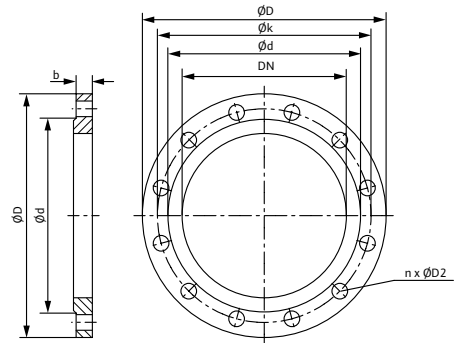
Dimensions – Inches (mm)

Frame	a	A	L	L1	L2	L3	L4	L5	X	HD	H2	H3	H4	Hb	B2	B3	B4	n	S1	S4
56	3.94 (100)	2.63 (67)	34.06 (865)	32.88 (835)	5.94 (151)	21.00 (533)	34.19 (868)	15.50 (394)	.5 (13)	6.81 (173)	6.31 (160)	7.56 (192)	13.88 (353)	2.38 (60)	14.88 (378)	13.19 (335)	10.94 (278)	4	7.25 (184)	.88 (22)
143T	3.94 (100)	2.63 (67)	34.19 (868)	32.88 (835)	5.94 (151)	21.00 (533)	34.19 (868)	15.56 (395)	.5 (13)	6.81 (173)	6.31 (160)	7.56 (192)	13.88 (353)	2.38 (60)	14.88 (378)	13.19 (335)	10.94 (278)	4	7.25 (184)	.88 (22)
145T	3.94 (100)	2.63 (67)	34.19 (868)	32.88 (835)	5.94 (151)	21.00 (533)	34.19 (868)	15.56 (395)	.5 (13)	6.81 (173)	6.31 (160)	7.56 (192)	13.88 (353)	2.38 (60)	14.88 (378)	13.19 (335)	10.94 (278)	4	7.25 (184)	.88 (22)

Flange Dimensions – Suction Side

Dimensions – Inches (mm)

DN S #125	ØD	Ød	Øk	b	n	D2
2½	7.00 (178)	4.13 (105)	5.50 (140)	.88 (22)	4	.75 (19)



Flange Dimensions – Discharge Side

Dimensions – Inches (mm)

DN D 125#	ØD	Ød	Øk	b	n	D2
2	6.00 (152)	3.63 (92)	4.75 (121)	.75 (19)	4	.75 (19)

Submittal Data Sheet

Wilo NL - Base Mounted End Suction Pumps

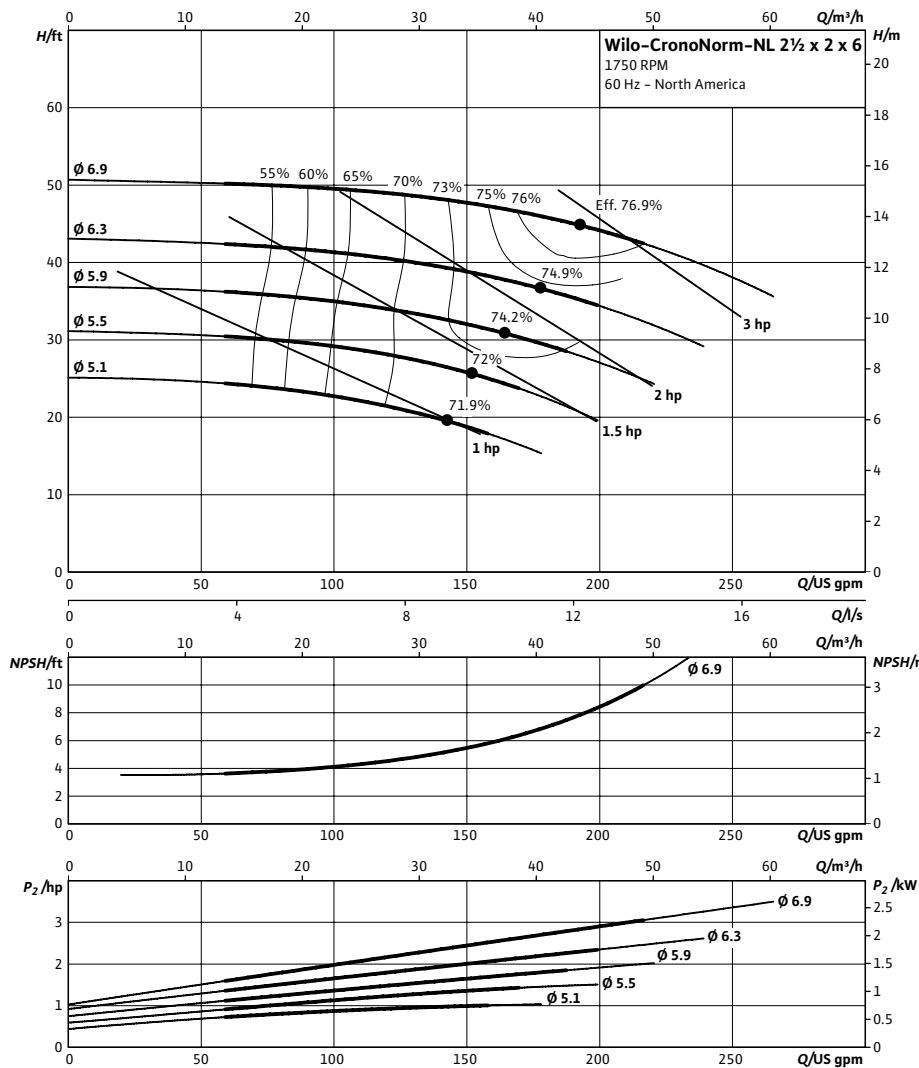


NL 2½ x 2 x 6



Project:	
Engineer:	
Contractor:	
Submitted By:	Date:
Approved By:	Date:

Tag #	Model #	Flow (USGPM)	Head (Feet)	HP	Enclosure TEFC/ODP	Frame	Cycle	Phase	Voltage	RPM
	NL 2½ x 2 x 6						60Hz	3		1750



Technical Data

PEI	
0.95	
Approved Fluids	
Heating Water	
Cooling and cold water	
Water-Glycol mixtures (for 20-40% glycol and fluid temp ≤ 104°F (40°C))	
Fluid Temperature	
Mechanical Seal	18°F to 250°F (-8°C to 120°C)
Stuffing Box Packing	32°F to 220°F (0°C to 105°C)

Materials of Construction

<input type="checkbox"/>	Pump Housing	C.I. FG260
<input type="checkbox"/>	Impeller	Bronze LG2
<input type="checkbox"/>	Impeller (optional)	C.I. FG260
<input type="checkbox"/>	Pump Shaft	SS AISI 420
<input type="checkbox"/>	Mechanical Seal	Carbon/silicon carbide/EPDM (E1)
<input type="checkbox"/>	Other Mechanical Seals	Avail. on request
<input type="checkbox"/>	Additional Spacer Coupling	Avail. on request
<input type="checkbox"/>	Other:	

Approval Stamp

Submittal Data Sheet

Wilo NL – Base Mounted End Suction Pumps



Dimensions & Weights

Wilo NL



NL 2½x 2 x 6

Dimensions – Inches (mm)

Frame	a	A	L	L1	L2	L3	L4	L5	X	HD	H2	H3	H4	Hb	B2	B3	B4	n	S1	S4
143T	3.94 (100)	3.06 (78)	33.00 (330)	33.38 (848)	5.94 (151)	21.50 (546)	34.25 (870)	14.38 (366)	.5 (13)	6.81 (173)	7.31 (186)	8.69 (221)	15.75 (400)	2.38 (60)	18.38 (467)	16.69 (424)	14.44 (367)	4	6.75 (171)	.88 (22)
145T	3.94 (100)	3.06 (78)	33.00 (330)	33.38 (848)	5.94 (151)	21.50 (546)	34.25 (870)	14.38 (366)	.5 (13)	6.81 (173)	7.31 (186)	8.69 (221)	15.75 (400)	2.38 (60)	18.38 (467)	16.69 (424)	14.44 (367)	4	6.75 (171)	.88 (22)
182T	3.94 (100)	3.06 (78)	35.13 (892)	33.38 (848)	5.94 (151)	21.50 (546)	34.25 (870)	16.50 (419)	.5 (13)	8.44 (214)	7.31 (186)	8.69 (221)	15.75 (400)	2.38 (60)	18.38 (467)	16.69 (424)	14.44 (367)	4	6.75 (171)	.88 (22)
184T	3.94 (100)	3.06 (78)	35.13 (892)	33.38 (848)	5.94 (151)	21.50 (546)	34.25 (870)	16.50 (419)	.5 (13)	8.44 (214)	7.31 (186)	8.69 (221)	15.75 (400)	2.38 (60)	18.38 (467)	16.69 (424)	14.44 (367)	4	6.75 (171)	.88 (22)

Flange Dimensions – Suction Side

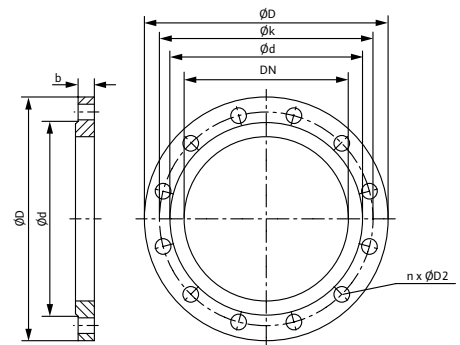
Dimensions – Inches (mm)

DN S #125	ØD	Ød	Øk	b	n	D2
2½	7.00 (178)	4.13 (105)	5.50 (140)	.88 (22)	4	.75 (19)

Flange Dimensions – Discharge Side

Dimensions – Inches (mm)

DN D 125#	ØD	Ød	Øk	b	n	D2
2	6.00 (152)	3.63 (92)	4.75 (121)	.75 (19)	4	.75 (19)

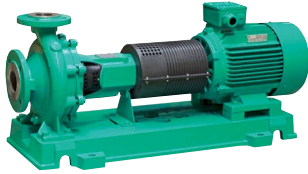


Submittal Data Sheet

Wilo NL - Base Mounted End Suction Pumps

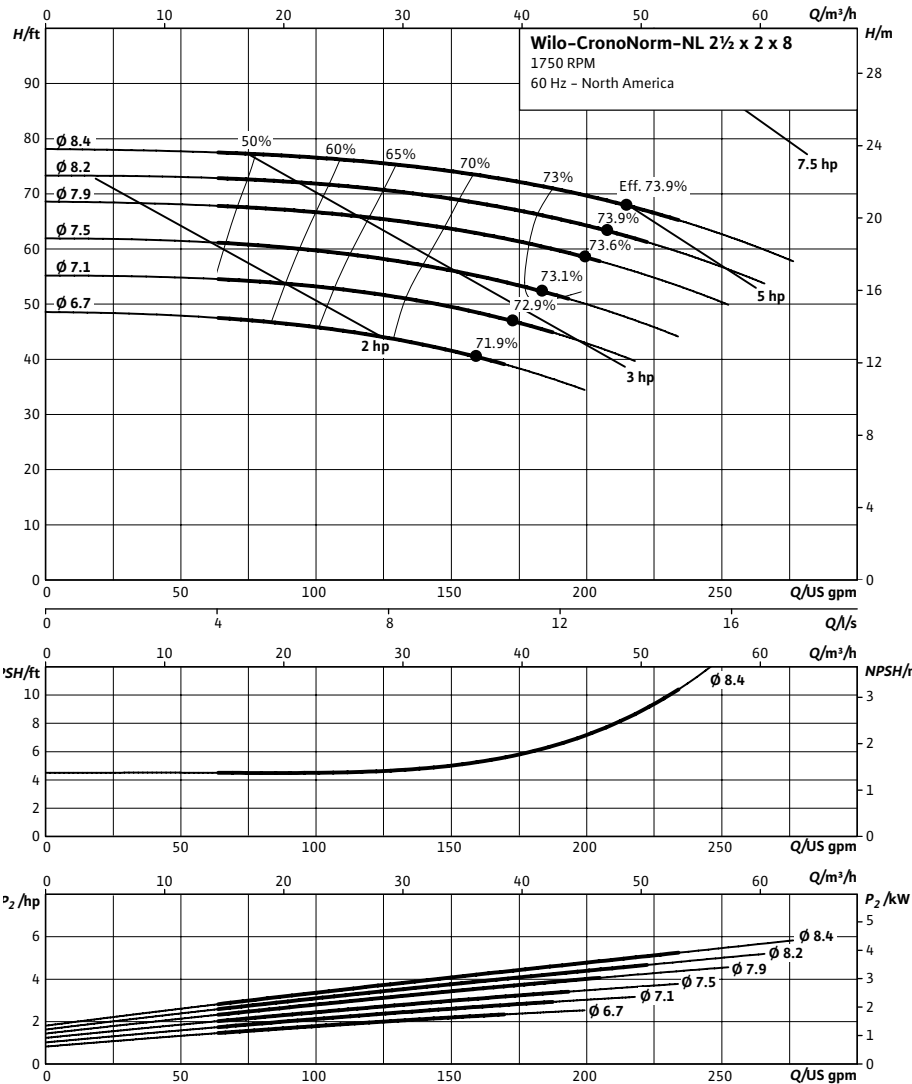


NL 2½ x 2 x 8



Project:	
Engineer:	
Contractor:	
Submitted By:	Date:
Approved By:	Date:

Tag #	Model #	Flow (USGPM)	Head (Feet)	HP	Enclosure TEFC/ODP	Frame	Cycle	Phase	Voltage	RPM
	NL 2½ x 2 x 8						60Hz	3		1750



Technical Data

PEI	
0.93	
Approved Fluids	
Heating Water	
Cooling and cold water	
Water-Glycol mixtures (for 20-40% glycol and fluid temp ≤ 104°F (40°C))	
Fluid Temperature	
Mechanical Seal	18°F to 250°F (-8°C to 120°C)

Materials of Construction

<input type="checkbox"/>	Pump Housing	C.I. FG260
<input type="checkbox"/>	Impeller	Bronze LG2
<input type="checkbox"/>	Impeller (optional)	C.I. FG260
<input type="checkbox"/>	Pump Shaft	SS AISI 420
<input type="checkbox"/>	Mechanical Seal	Carbon/silicon carbide/EPDM (E1)
<input type="checkbox"/>	Other Mechanical Seals	Avail. on request
<input type="checkbox"/>	Additional Spacer Coupling	Avail. on request
<input type="checkbox"/>	Other:	

Approval Stamp

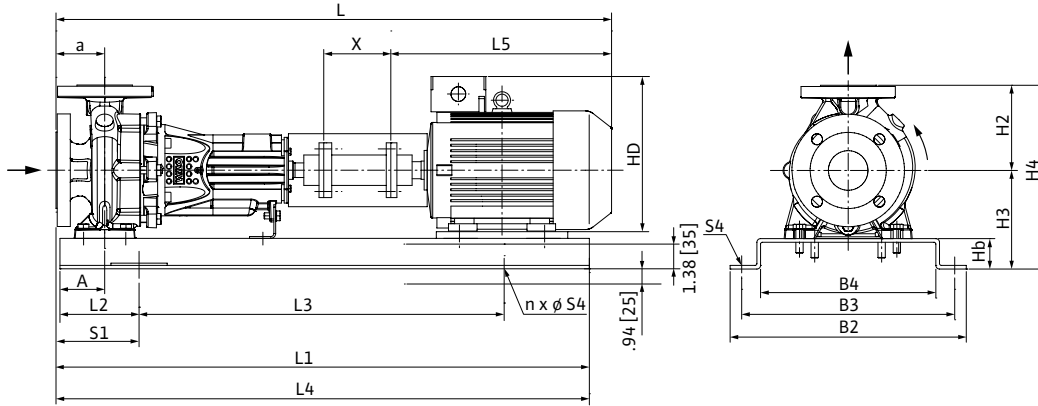
Submittal Data Sheet

Wilo NL – Base Mounted End Suction Pumps



Dimensions & Weights

Wilo NL



NL 2½x 2 x 8

Dimensions – Inches (mm)

Frame	a	A	L	L1	L2	L3	L4	L5	X	HD	H2	H3	H4	Hb	B2	B3	B4	n	S1	S4
145T	3.94 (100)	3.06 (78)	34.19 (868)	33.38 (848)	5.94 (151)	21.50 (546)	34.25 (870)	15.94 (405)	.5 (13)	6.81 (173)	7.88 (200)	8.69 (221)	15.56 (395)	2.38 (60)	18.38 (467)	16.69 (424)	14.44 (367)	4	6.75 (171)	.88 (22)
182T	3.94 (100)	3.06 (78)	36.69 (932)	33.38 (848)	5.94 (151)	21.50 (546)	34.25 (870)	18.00 (457)	.5 (13)	11.25 (286)	7.88 (200)	8.69 (221)	15.56 (395)	2.38 (60)	18.38 (467)	16.69 (424)	14.44 (367)	4	6.75 (171)	.88 (22)
184T	3.94 (100)	3.06 (78)	36.69 (932)	33.38 (848)	5.94 (151)	21.50 (546)	34.25 (870)	18.00 (457)	.5 (13)	11.25 (286)	7.88 (200)	8.69 (221)	15.56 (395)	2.38 (60)	18.38 (467)	16.69 (424)	14.44 (367)	4	6.75 (171)	.88 (22)
213T	3.94 (100)	3.06 (78)	39.06 (992)	33.38 (848)	5.94 (151)	21.50 (546)	34.25 (870)	20.50 (521)	.5 (13)	13.00 (330)	7.88 (200)	8.69 (221)	15.56 (395)	2.38 (60)	18.38 (467)	16.69 (424)	14.44 (367)	4	6.75 (171)	.88 (22)

Flange Dimensions – Suction Side

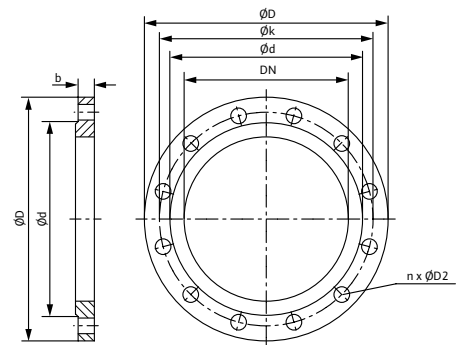
Dimensions – Inches (mm)

DN S #125	ØD	Ød	Øk	b	n	D2
2½	7.00 (178)	4.13 (105)	5.50 (140)	.88 (22)	4	.75 (19)

Flange Dimensions – Discharge Side

Dimensions – Inches (mm)

DN D 125#	ØD	Ød	Øk	b	n	D2
2	6.00 (152)	3.63 (92)	4.75 (121)	.75 (19)	4	.75 (19)



Submittal Data Sheet

Wilco NL - Base Mounted End Suction Pumps

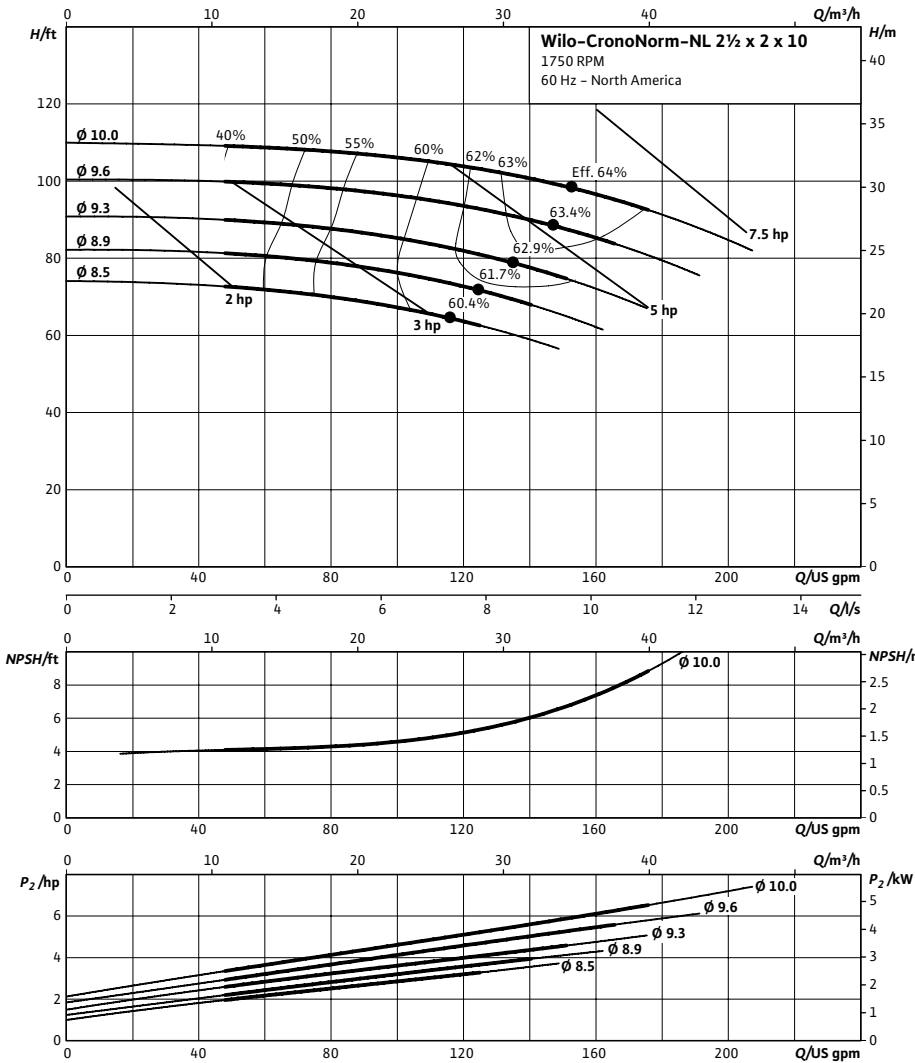


NL 2 1/2 x 2 x 10



Project:	
Engineer:	
Contractor:	
Submitted By:	Date:
Approved By:	Date:

Tag #	Model #	Flow (USGPM)	Head (Feet)	HP	Enclosure TEFC/ODP	Frame	Cycle	Phase	Voltage	RPM
	NL 2 1/2 x 2 x 10						60Hz	3		1750



Technical Data

PEI	
0.87	
Approved Fluids	
Heating Water	
Cooling and cold water	
Water-Glycol mixtures (for 20-40% glycol and fluid temp ≤ 104°F (40°C))	
Fluid Temperature	
Mechanical Seal	18°F to 250°F (-8°C to 120°C)
Stuffing Box Packing	32°F to 220°F (0°C to 105°C)

Materials of Construction

<input type="checkbox"/> Pump Housing	C.I. FG260
<input type="checkbox"/> Impeller	Bronze LG2
<input type="checkbox"/> Impeller (optional)	C.I. FG260
<input type="checkbox"/> Pump Shaft	SS AISI 420
<input type="checkbox"/> Mechanical Seal	Carbon/silicon carbide/EPDM (E1)
<input type="checkbox"/> Other Mechanical Seals	Avail. on request
<input type="checkbox"/> Additional Spacer Coupling	Avail. on request
<input type="checkbox"/> Other:	

Approval Stamp

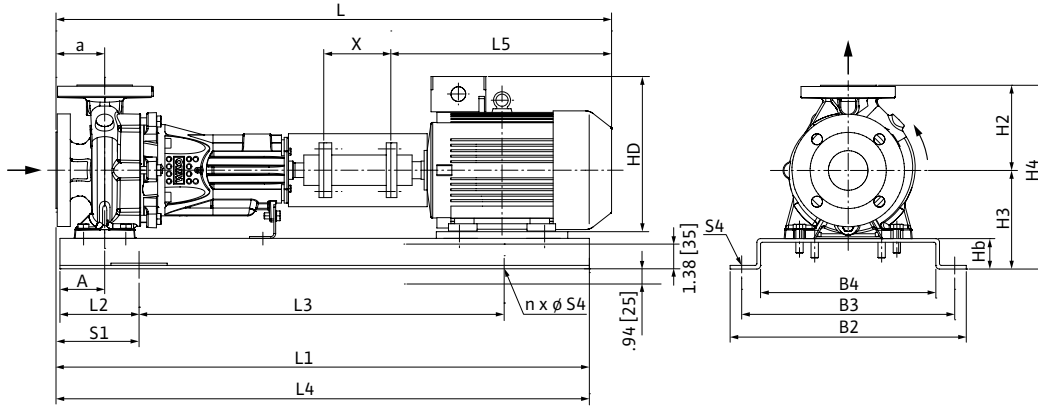
Submittal Data Sheet

Wilo NL – Base Mounted End Suction Pumps



Dimensions & Weights

Wilo NL



NL 2½x 2 x 10

Dimensions – Inches (mm)

Frame	a	A	L	L1	L2	L3	L4	L5	X	HD	H2	H3	H4	Hb	B2	B3	B4	n	S1	S4
182T	3.94 (100)	3.06 (78)	36.63 (930)	33.38 (849)	5.94 (151)	21.56 (548)	34.25 (870)	18.06 (459)	.5 (13)	11.25 (286)	7.06 (179)	9.44 (240)	18.31 (465)	2.38 (61)	18.38 (467)	16.69 (424)	14.44 (367)	4	6.75 (171)	.88 (22)
184T	3.94 (100)	3.06 (78)	36.63 (930)	33.38 (849)	5.94 (151)	21.56 (548)	34.25 (870)	18.06 (459)	.5 (13)	11.25 (286)	7.06 (179)	9.44 (240)	18.31 (465)	2.38 (61)	18.38 (467)	16.69 (424)	14.44 (367)	4	6.75 (171)	.88 (22)
213T	3.94 (100)	3.06 (78)	39.13 (994)	33.38 (849)	5.94 (151)	21.56 (548)	34.25 (870)	20.50 (521)	.5 (13)	13.00 (330)	7.06 (179)	9.44 (240)	18.31 (465)	2.38 (61)	18.38 (467)	16.69 (424)	14.44 (367)	4	6.75 (171)	.88 (22)
215T	3.94 (100)	3.06 (78)	39.13 (994)	33.38 (849)	5.94 (151)	21.56 (548)	34.25 (870)	20.50 (521)	.5 (13)	13.00 (330)	7.06 (179)	9.44 (240)	18.31 (465)	2.38 (61)	18.38 (467)	16.69 (424)	14.44 (367)	4	6.75 (171)	.88 (22)

Flange Dimensions – Suction Side

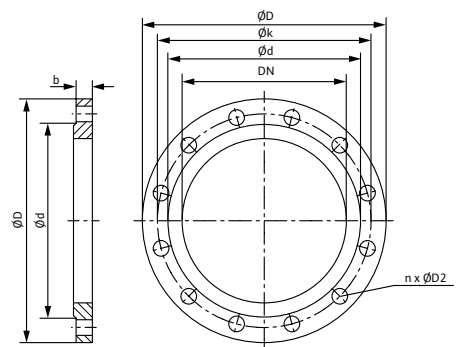
Dimensions – Inches (mm)

DN S #125	ØD	Ød	Øk	b	n	D2
2½	7.00 (178)	4.13 (105)	5.50 (140)	.88 (22)	4	.75 (19)

Flange Dimensions – Discharge Side

Dimensions – Inches (mm)

DND 125#	ØD	Ød	Øk	b	n	D2
2	6.00 (152)	3.63 (92)	4.75 (121)	.75 (19)	4	.75 (19)

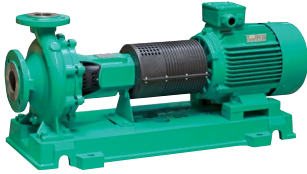


Submittal Data Sheet

Wilco NL - Base Mounted End Suction Pumps

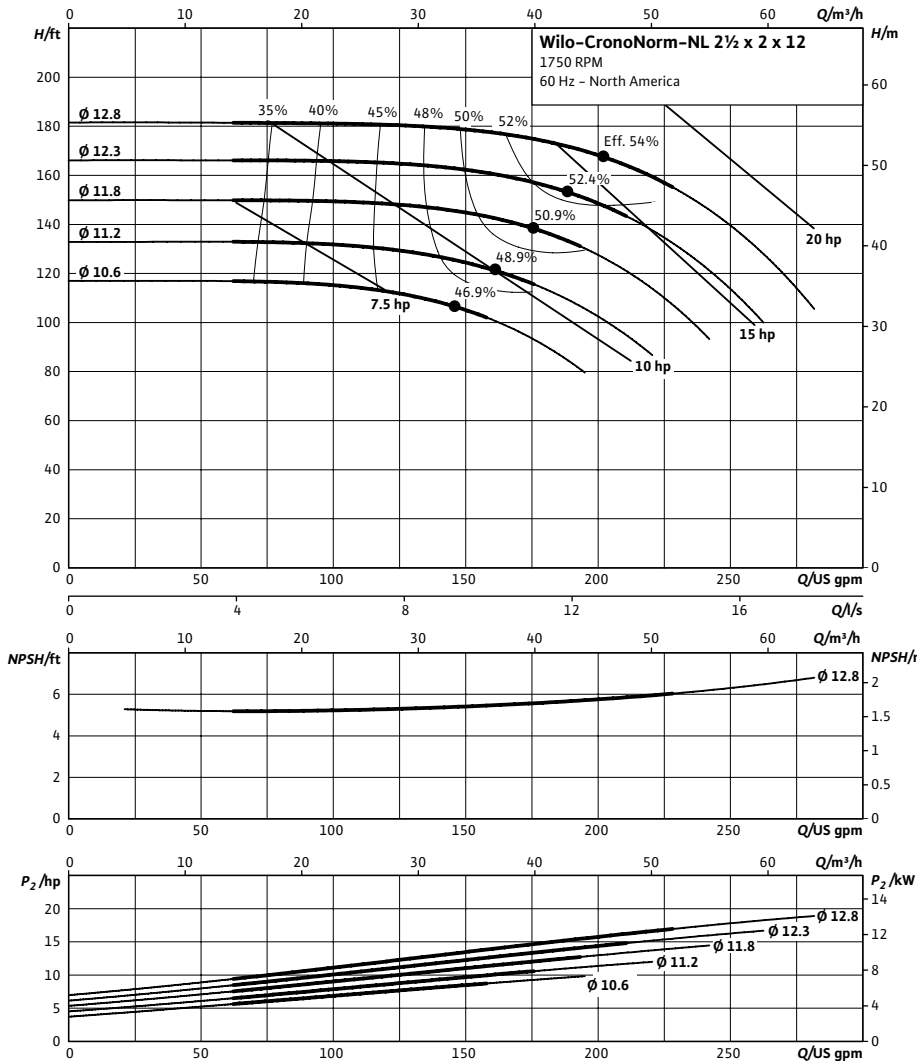


NL 2½ x 2 x 12



Project:	
Engineer:	
Contractor:	
Submitted By:	Date:
Approved By:	Date:

Tag #	Model #	Flow (USGPM)	Head (Feet)	HP	Enclosure TEFC/ODP	Frame	Cycle	Phase	Voltage	RPM
	NL 2½ x 2 x 12						60Hz	3		1750



Technical Data

PEI	0.78
Approved Fluids	Heating Water Cooling and cold water Water-Glycol mixtures (for 20-40% glycol and fluid temp ≤ 104°F (40°C))
Fluid Temperature	Mechanical Seal: 18°F to 250°F (-8°C to 120°C) Stuffing Box Packing: 32°F to 220°F (0°C to 105°C)

Materials of Construction

<input type="checkbox"/> Pump Housing	C.I. FG260
<input type="checkbox"/> Impeller	Bronze LG2
<input type="checkbox"/> Impeller (optional)	C.I. FG260
<input type="checkbox"/> Pump Shaft	SS AISI 420
<input type="checkbox"/> Mechanical Seal	Carbon/silicon carbide/EPDM (E1)
<input type="checkbox"/> Other Mechanical Seals	Avail. on request
<input type="checkbox"/> Additional Spacer Coupling	Avail. on request
<input type="checkbox"/> Other:	

Approval Stamp

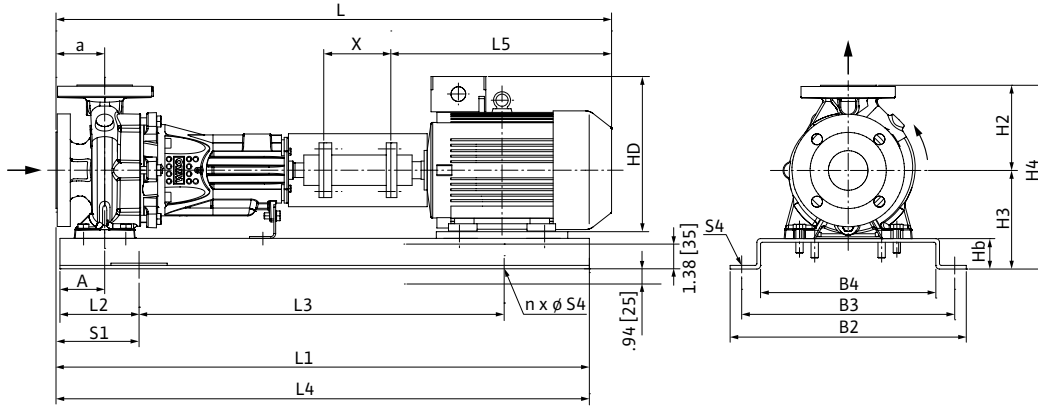
Submittal Data Sheet

Wilo NL - Base Mounted End Suction Pumps



Dimensions & Weights

Wilo NL



NL 2½x 2 x 12

Dimensions - Inches (mm)

Frame	a	A	L	L1	L2	L3	L4	L5	X	HD	H2	H3	H4	Hb	B2	B3	B4	n	S1	S4
213T	4.94 (125)	3.75 (95)	44.44 (1129)	45.25 (1149)	7.88 (200)	29.50 (749)	46.44 (1180)	20.50 (521)	.5 (13)	13.00 (330)	11.00 (279)	13.13 (334)	24.13 (613)	4.25 (108)	16.19 (411)	14.75 (375)	13.00 (330)	4	9.00 (229)	.63 (16)
215T	4.94 (125)	3.75 (95)	44.44 (1129)	45.25 (1149)	7.88 (200)	29.50 (749)	46.44 (1180)	20.50 (521)	.5 (13)	13.00 (330)	11.00 (279)	13.13 (334)	24.13 (613)	4.25 (108)	16.19 (411)	14.75 (375)	13.00 (330)	4	9.00 (229)	.63 (16)
254T	4.94 (125)	3.75 (95)	47.13 (1197)	45.25 (1149)	7.88 (200)	29.50 (749)	46.44 (1180)	23.19 (589)	.5 (13)	15.63 (397)	11.00 (279)	13.13 (334)	24.13 (613)	4.25 (108)	16.19 (411)	14.75 (375)	13.00 (330)	4	9.00 (229)	.63 (16)
256T	4.94 (125)	3.75 (95)	47.13 (1197)	45.25 (1149)	7.88 (200)	29.50 (749)	46.44 (1180)	23.19 (589)	.5 (13)	15.63 (397)	11.00 (279)	13.13 (334)	24.13 (613)	4.25 (108)	16.19 (411)	14.75 (375)	13.00 (330)	4	9.00 (229)	.63 (16)
284T	4.94 (125)	3.75 (95)	51.69 (1313)	45.25 (1149)	7.88 (200)	29.50 (749)	46.44 (1180)	27.75 (705)	.5 (13)	17.19 (437)	11.00 (279)	13.13 (334)	24.13 (613)	4.25 (108)	16.19 (411)	14.75 (375)	13.00 (330)	4	9.00 (229)	.63 (16)

Flange Dimensions - Suction Side

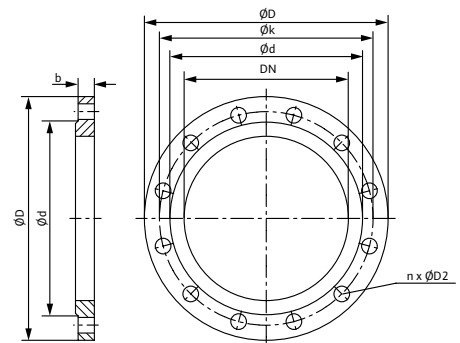
Dimensions - Inches (mm)

DN S #125	ØD	Ød	Øk	b	n	D2
2½	7.00 (178)	4.13 (105)	5.50 (140)	.88 (22)	4	.75 (19)

Flange Dimensions - Discharge Side

Dimensions - Inches (mm)

DN D 125#	ØD	Ød	Øk	b	n	D2
2	6.00 (152)	3.63 (92)	4.75 (121)	.75 (19)	4	.75 (19)



Submittal Data Sheet

Wilo NL - Base Mounted End Suction Pumps

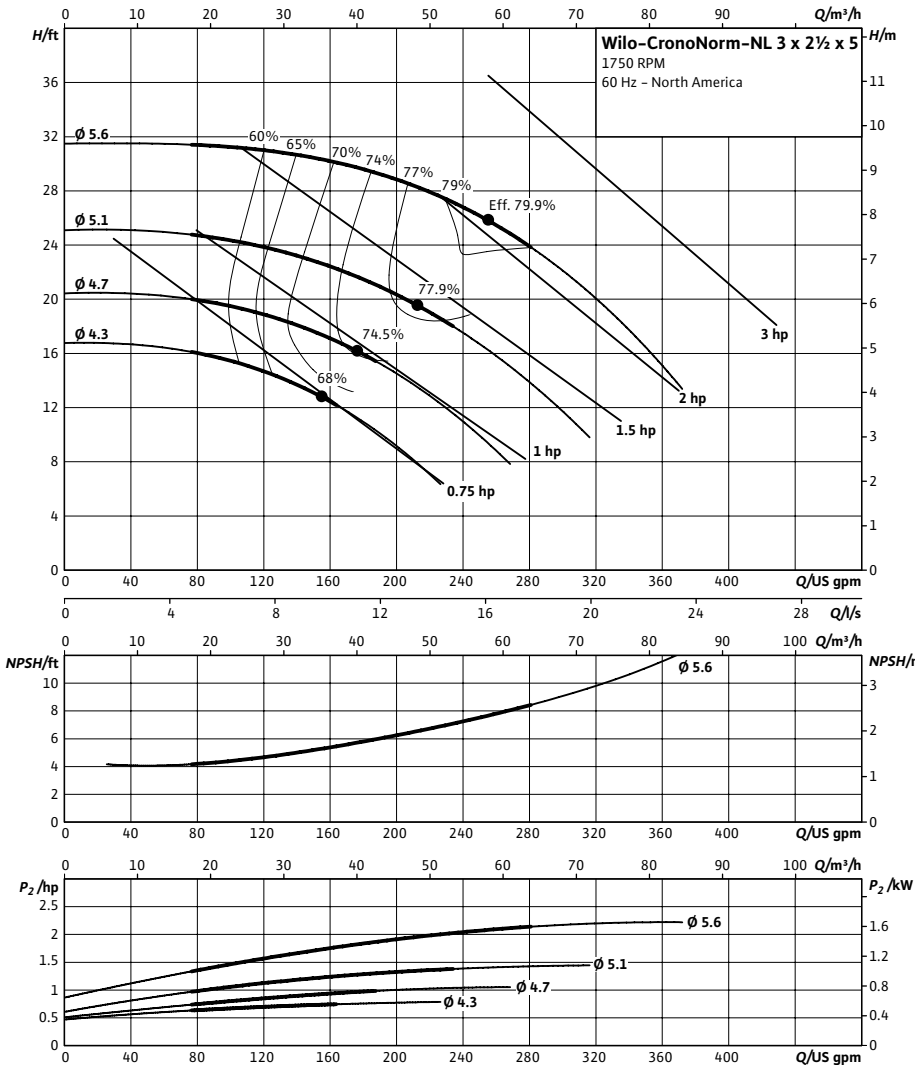


NL 3 x 2½ x 5



Project:	
Engineer:	
Contractor:	
Submitted By:	Date:
Approved By:	Date:

Tag #	Model #	Flow (USGPM)	Head (Feet)	HP	Enclosure TEFC/ODP	Frame	Cycle	Phase	Voltage	RPM
	NL 3 x 2½ x 5						60Hz	3		1750



Technical Data

PEI	
0.94	
Approved Fluids	
Heating Water	
Cooling and cold water	
Water-Glycol mixtures (for 20-40% glycol and fluid temp ≤ 104°F (40°C))	
Fluid Temperature	
Mechanical Seal	18°F to 250°F (-8°C to 120°C)
Stuffing Box Packing	32°F to 220°F (0°C to 105°C)

Materials of Construction

<input type="checkbox"/> Pump Housing	C.I. FG260
<input type="checkbox"/> Impeller	Bronze LG2
<input type="checkbox"/> Impeller (optional)	C.I. FG260
<input type="checkbox"/> Pump Shaft	SS AISI 420
<input type="checkbox"/> Mechanical Seal	Carbon/silicon carbide/EPDM (E1)
<input type="checkbox"/> Other Mechanical Seals	Avail. on request
<input type="checkbox"/> Additional Spacer Coupling	Avail. on request
<input type="checkbox"/> Other:	

Approval Stamp

Submittal Data Sheet

Wilo NL - Base Mounted End Suction Pumps



Dimensions & Weights

Wilo NL



NL 3 x 2½ x 5

Dimensions - Inches (mm)

Frame	a	A	L	L1	L2	L3	L4	L5	X	HD	H2	H3	H4	Hb	B2	B3	B4	n	S1	S4
56	3.94 (100)	3.13 (80)	32.00 (813)	32.38 (922)	5.94 (151)	21.56 (548)	34.25 (870)	13.38 (340)	.5 (13)	6.38 (162)	7.06 (179)	8.69 (221)	15.75 (400)	2.38 (60)	18.38 (467)	16.69 (424)	14.44 (367)	4	6.75 (171)	.88 (22)
143T	3.94 (100)	3.13 (80)	34.19 (868)	32.38 (922)	5.94 (151)	21.56 (548)	34.25 (870)	15.56 (395)	.5 (13)	6.81 (427)	7.06 (179)	8.69 (221)	15.75 (400)	2.38 (60)	18.38 (467)	16.69 (424)	14.44 (367)	4	6.75 (171)	.88 (22)
145T	3.94 (100)	3.13 (80)	34.19 (868)	32.38 (922)	5.94 (151)	21.56 (548)	34.25 (870)	15.56 (395)	.5 (13)	6.81 (427)	7.06 (179)	8.69 (221)	15.75 (400)	2.38 (60)	18.38 (467)	16.69 (424)	14.44 (367)	4	6.75 (171)	.88 (22)
182T	3.94 (100)	3.13 (80)	36.69 (932)	32.38 (922)	5.94 (151)	21.56 (548)	34.25 (870)	18.06 (489)	.5 (13)	11.25 (286)	7.06 (179)	8.69 (221)	15.75 (400)	2.38 (60)	18.38 (467)	16.69 (424)	14.44 (367)	4	6.75 (171)	.88 (22)

Flange Dimensions - Suction Side

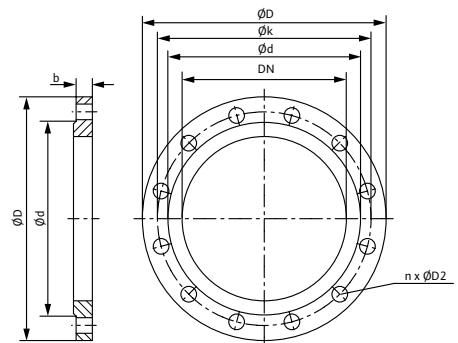
Dimensions - Inches (mm)

DN S #125	ØD	Ød	Øk	b	n	D2
3	7.50 (191)	5.50 (140)	6.00 (152)	.94 (24)	4	.75 (19)

Flange Dimensions - Discharge Side

Dimensions - Inches (mm)

DN D 125#	ØD	Ød	Øk	b	n	D2
2½	7.00 (178)	4.13 (105)	5.50 (140)	.88 (22)	4	.75 (19)



Submittal Data Sheet

Wilco NL - Base Mounted End Suction Pumps

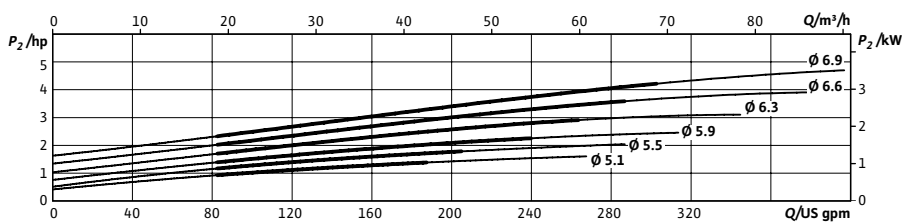
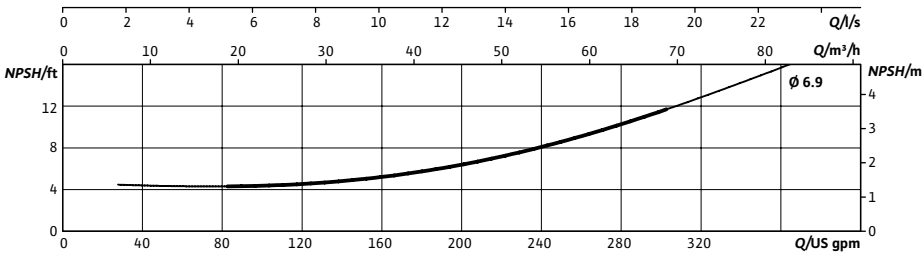
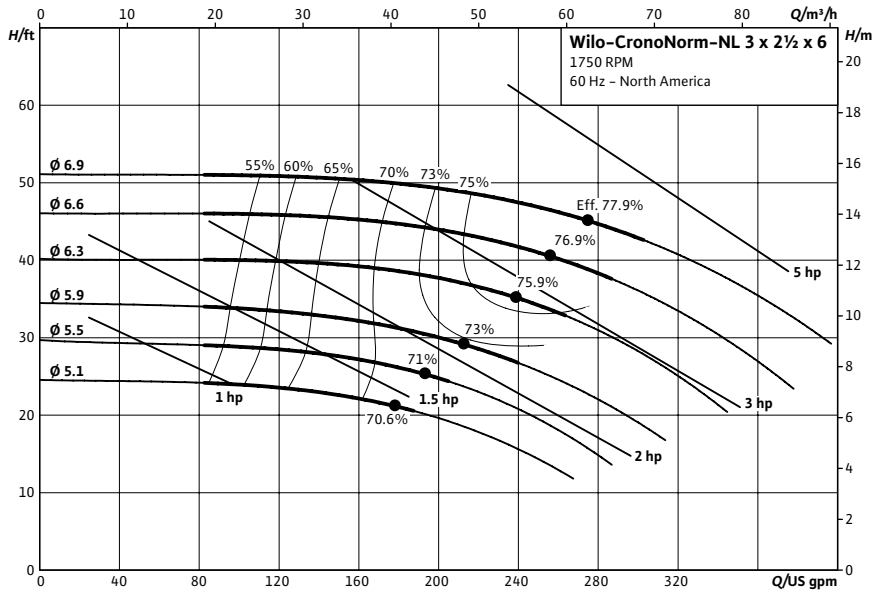


NL 3 x 2½ x 6



Project:	
Engineer:	
Contractor:	
Submitted By:	Date:
Approved By:	Date:

Tag #	Model #	Flow (USGPM)	Head (Feet)	HP	Enclosure TEFC/ODP	Frame	Cycle	Phase	Voltage	RPM
	NL 3 x 2½ x 6						60Hz	3		1750



Technical Data

PEI	
0.96	
Approved Fluids	
Heating Water	
Cooling and cold water	
Water-Glycol mixtures (for 20-40% glycol and fluid temp ≤ 104°F (40°C))	
Fluid Temperature	
Mechanical Seal	18°F to 250°F (-8°C to 120°C)
Stuffing Box Packing	32°F to 220°F (0°C to 105°C)

Materials of Construction

<input type="checkbox"/> Pump Housing	C.I. FG260
<input type="checkbox"/> Impeller	Bronze LG2
<input type="checkbox"/> Impeller (optional)	C.I. FG260
<input type="checkbox"/> Pump Shaft	SS AISI 420
<input type="checkbox"/> Mechanical Seal	Carbon/silicon carbide/EPDM (E1)
<input type="checkbox"/> Other Mechanical Seals	Avail. on request
<input type="checkbox"/> Additional Spacer Coupling	Avail. on request
<input type="checkbox"/> Other:	

Approval Stamp

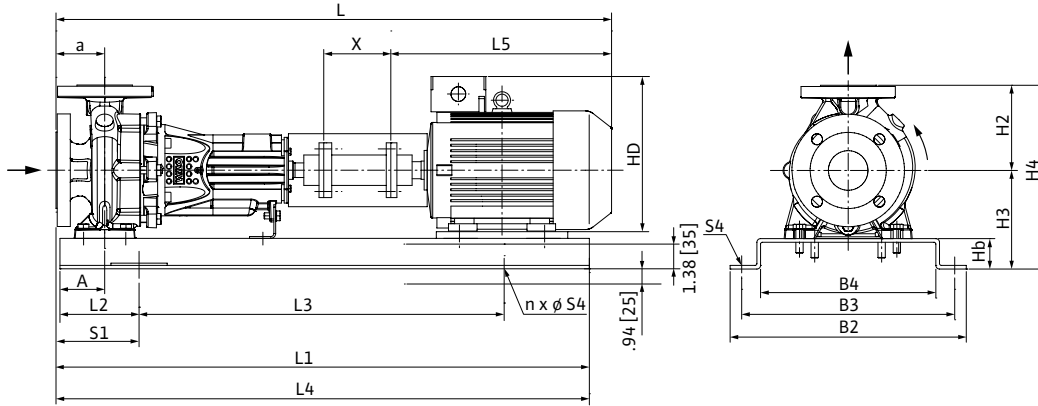
Submittal Data Sheet

Wilo NL – Base Mounted End Suction Pumps



Dimensions & Weights

Wilo NL



NL 3 x 2½ x 6

Dimensions – Inches (mm)

Frame	a	A	L	L1	L2	L3	L4	L5	X	HD	H2	H3	H4	Hb	B2	B3	B4	n	S1	S4
143T	3.94 (100)	3.13 (80)	34.19 (868)	32.38 (922)	5.94 (151)	21.56 (548)	34.25 (870)	15.56 (395)	.5 (13)	6.81 (173)	7.88 (200)	8.69 (221)	16.56 (421)	2.38 (60)	18.38 (467)	16.69 (424)	14.44 (367)	4	6.75 (171)	.88 (22)
145T	3.94 (100)	3.13 (80)	34.19 (868)	32.38 (922)	5.94 (151)	21.56 (548)	34.25 (870)	15.56 (395)	.5 (13)	6.81 (173)	7.88 (200)	8.69 (221)	16.56 (421)	2.38 (60)	18.38 (467)	16.69 (424)	14.44 (367)	4	6.75 (171)	.88 (22)
182T	3.94 (100)	3.13 (80)	36.69 (932)	32.38 (922)	5.94 (151)	21.56 (548)	34.25 (870)	18.06 (459)	.5 (13)	11.25 (286)	7.88 (200)	8.69 (221)	16.56 (421)	2.38 (60)	18.38 (467)	16.69 (424)	14.44 (367)	4	6.75 (171)	.88 (22)
184T	3.94 (100)	3.13 (80)	36.69 (932)	32.38 (922)	5.94 (151)	21.56 (548)	34.25 (870)	20.50 (521)	.5 (13)	13.00 (330)	7.88 (200)	8.69 (221)	16.56 (421)	2.38 (60)	18.38 (467)	16.69 (424)	14.44 (367)	4	6.75 (171)	.88 (22)
213T	3.94 (100)	3.13 (80)	39.13 (994)	32.38 (922)	5.94 (151)	21.56 (548)	34.25 (870)	20.50 (521)	.5 (13)	13.00 (330)	7.88 (200)	8.69 (221)	16.56 (421)	2.38 (60)	18.38 (467)	16.69 (424)	14.44 (367)	4	6.75 (171)	.88 (22)

Flange Dimensions – Suction Side

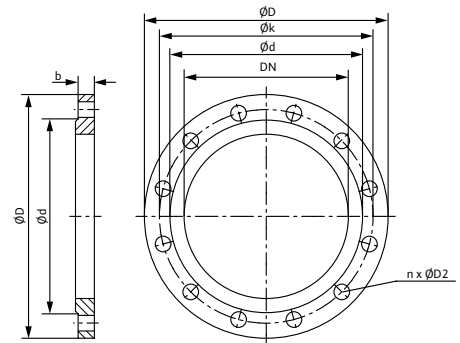
Dimensions – Inches (mm)

DN S #125	ØD	Ød	Øk	b	n	D2
3	7.50 (191)	5.50 (140)	6.00 (152)	.94 (24)	4	.75 (19)

Flange Dimensions – Discharge Side

Dimensions – Inches (mm)

DND 125#	ØD	Ød	Øk	b	n	D2
2½	7.00 (178)	4.13 (105)	5.50 (140)	.88 (22)	4	.75 (19)



Submittal Data Sheet

Wilco NL - Base Mounted End Suction Pumps

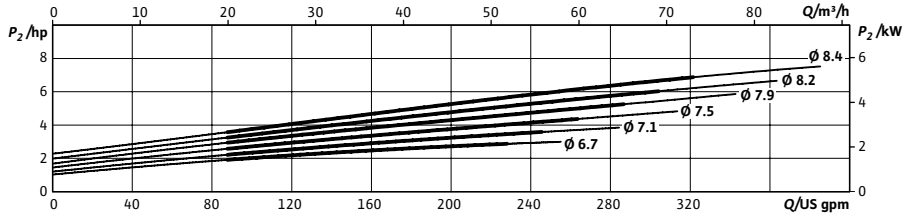
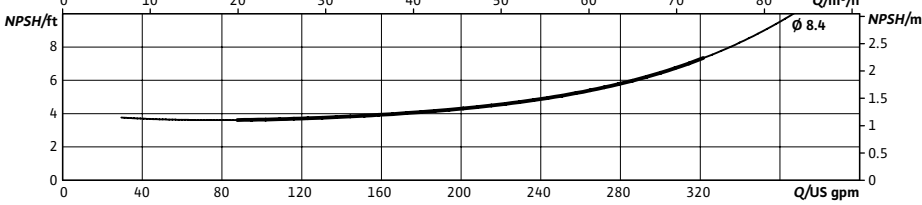
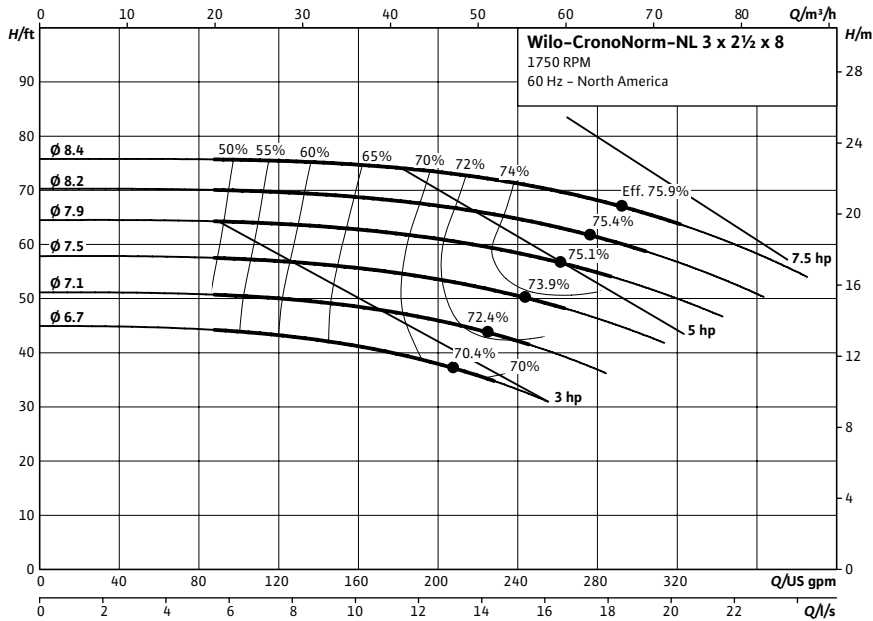


NL 3 x 2½ x 8



Project:									
Engineer:									
Contractor:									
Submitted By:					Date:				
Approved By:					Date:				

Tag #	Model #	Flow (USGPM)	Head (Feet)	HP	Enclosure TEFC/ODP	Frame	Cycle	Phase	Voltage	RPM
	NL 3 x 2½ x 8						60Hz	3		1750



Technical Data

PEI	
0.96	
Approved Fluids	
Heating Water	
Cooling and cold water	
Water-Glycol mixtures (for 20-40% glycol and fluid temp ≤ 104°F (40°C))	
Fluid Temperature	
Mechanical Seal	18°F to 250°F (-8°C to 120°C)
Stuffing Box Packing	32°F to 220°F (0°C to 105°C)

Materials of Construction

<input type="checkbox"/> Pump Housing	C.I. FG260
<input type="checkbox"/> Impeller	Bronze LG2
<input type="checkbox"/> Impeller (optional)	C.I. FG260
<input type="checkbox"/> Pump Shaft	SS AISI 420
<input type="checkbox"/> Mechanical Seal	Carbon/silicon carbide/EPDM (E1)
<input type="checkbox"/> Other Mechanical Seals	Avail. on request
<input type="checkbox"/> Additional Spacer Coupling	Avail. on request
<input type="checkbox"/> Other:	

Approval Stamp

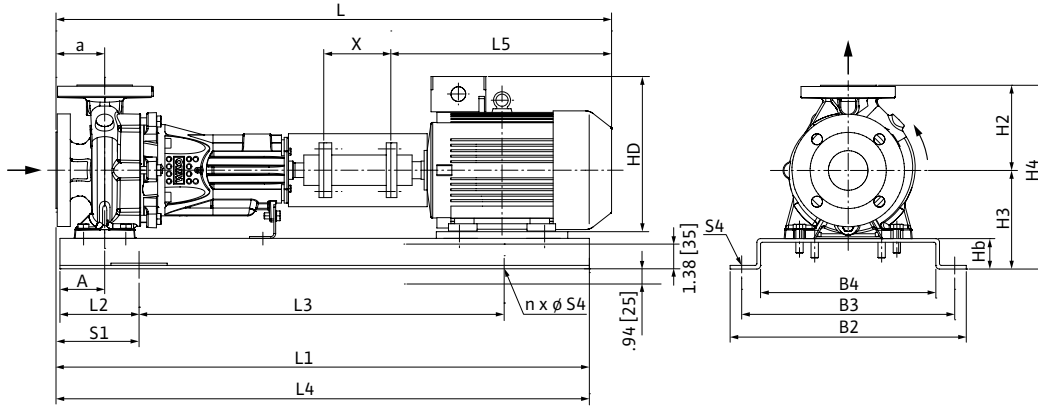
Submittal Data Sheet

Wilo NL – Base Mounted End Suction Pumps



Dimensions & Weights

Wilo NL



NL 3 x 2½ x 8

Dimensions – Inches (mm)

Frame	a	A	L	L1	L2	L3	L4	L5	X	HD	H2	H3	H4	Hb	B2	B3	B4	n	S1	S4
182T	3.94 (100)	3.75 (95)	36.69 (392)	33.38 (848)	5.94 (151)	21.56 (548)	34.25 (870)	18.06 (459)	.5 (13)	8.44 (214)	8.88 (226)	9.44 (240)	18.31 (465)	2.38 (60)	18.38 (467)	16.69 (424)	14.44 (367)	4	6.75 (171)	.88 (22)
184T	3.94 (100)	3.75 (95)	36.69 (392)	33.38 (848)	5.94 (151)	21.56 (548)	34.25 (870)	18.06 (459)	.5 (13)	8.44 (214)	8.88 (226)	9.44 (240)	18.31 (465)	2.38 (60)	18.38 (467)	16.69 (424)	14.44 (367)	4	6.75 (171)	.88 (22)
213T	3.94 (100)	3.75 (95)	39.13 (994)	33.38 (848)	5.94 (151)	21.56 (548)	34.25 (870)	20.50 (521)	.5 (13)	13.00 (330)	8.88 (226)	9.44 (240)	18.31 (465)	2.38 (60)	18.38 (467)	16.69 (424)	14.44 (367)	4	6.75 (171)	.88 (22)
215T	3.94 (100)	3.75 (95)	39.13 (994)	33.38 (848)	5.94 (151)	21.56 (548)	34.25 (870)	20.50 (521)	.5 (13)	13.00 (330)	8.88 (226)	9.44 (240)	18.31 (465)	2.38 (60)	18.38 (467)	16.69 (424)	14.44 (367)	4	6.75 (171)	.88 (22)

Flange Dimensions – Suction Side

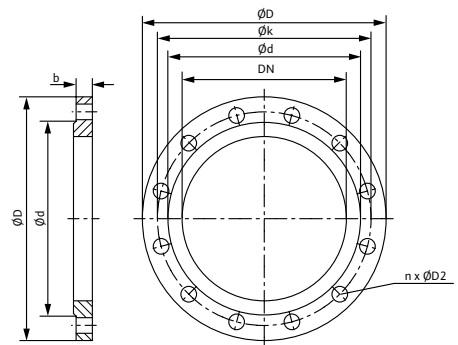
Dimensions – Inches (mm)

DN S #125	ØD	Ød	Øk	b	n	D2
3	7.50 (191)	5.50 (140)	6.00 (152)	.94 (24)	4	.75 (19)

Flange Dimensions – Discharge Side

Dimensions – Inches (mm)

DN D 125#	ØD	Ød	Øk	b	n	D2
2½	7.00 (178)	4.13 (105)	5.50 (140)	.88 (22)	4	.75 (19)



Submittal Data Sheet

Wilo NL - Base Mounted End Suction Pumps

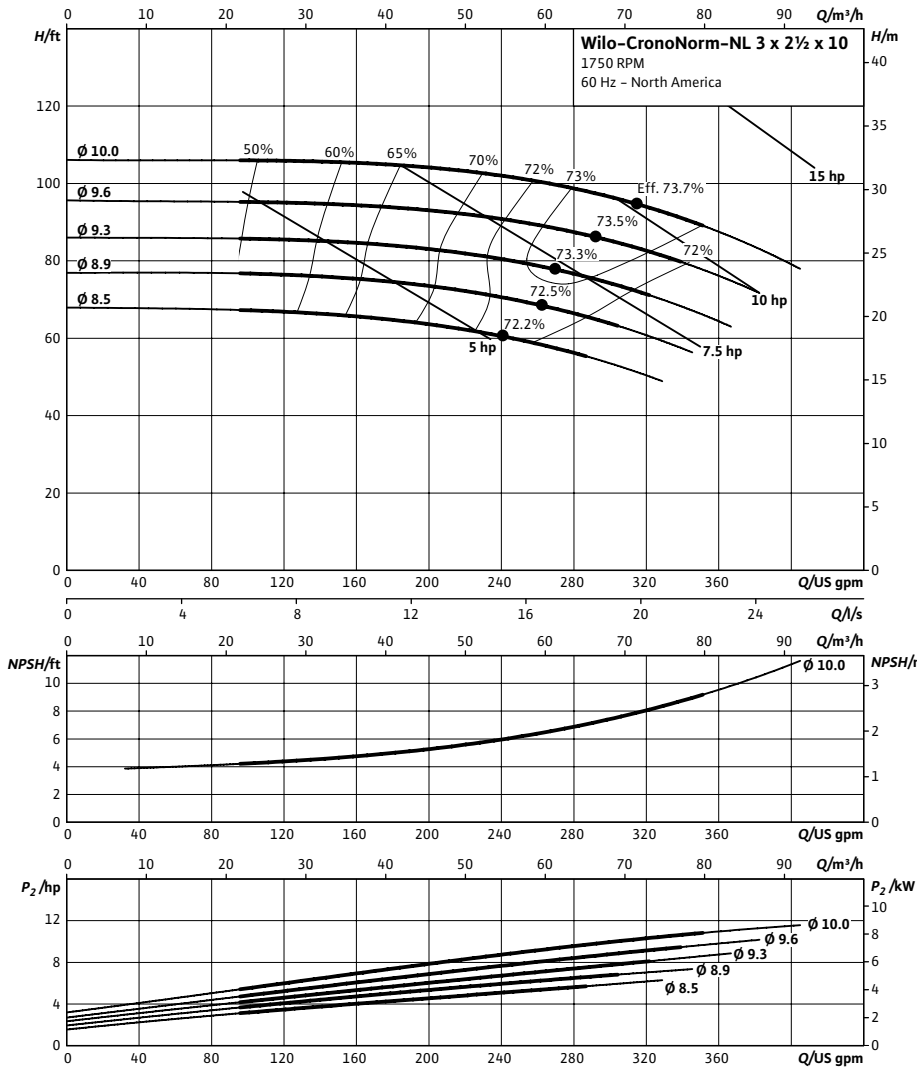


NL 3 x 2½ x 10



Project:	
Engineer:	
Contractor:	
Submitted By:	Date:
Approved By:	Date:

Tag #	Model #	Flow (USGPM)	Head (Feet)	HP	Enclosure TEFC/ODP	Frame	Cycle	Phase	Voltage	RPM
	NL 3 x 2½ x 10						60Hz	3		1750



Technical Data

PEI	
0.84	
Approved Fluids	
Heating Water	
Cooling and cold water	
Water-Glycol mixtures (for 20-40% glycol and fluid temp ≤ 104°F (40°C))	
Fluid Temperature	
Mechanical Seal	18°F to 250°F (-8°C to 120°C)
Stuffing Box Packing	32°F to 220°F (0°C to 105°C)

Materials of Construction

<input type="checkbox"/> Pump Housing	C.I. FG260
<input type="checkbox"/> Impeller	Bronze LG2
<input type="checkbox"/> Impeller (optional)	C.I. FG260
<input type="checkbox"/> Pump Shaft	SS AISI 420
<input type="checkbox"/> Mechanical Seal	Carbon/silicon carbide/EPDM (E1)
<input type="checkbox"/> Other Mechanical Seals	Avail. on request
<input type="checkbox"/> Additional Spacer Coupling	Avail. on request
<input type="checkbox"/> Other:	

Approval Stamp

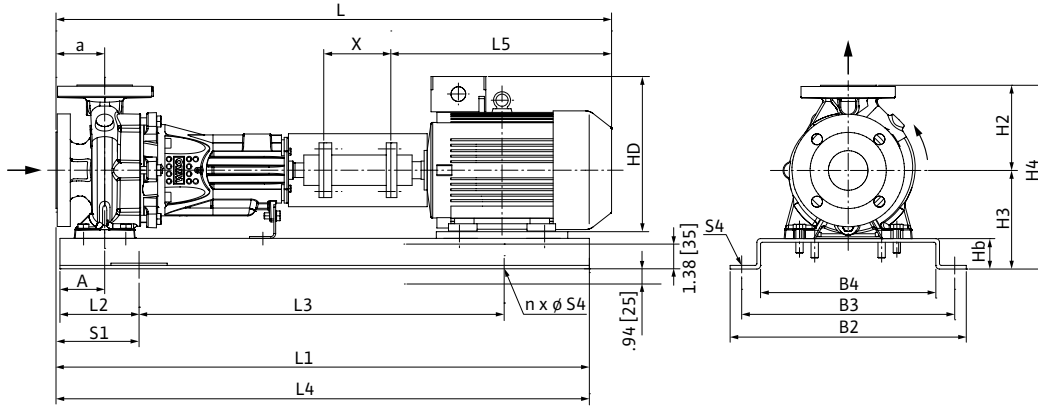
Submittal Data Sheet

Wilo NL - Base Mounted End Suction Pumps



Dimensions & Weights

Wilo NL



NL 3 x 2½ x 10

Dimensions - Inches (mm)

Frame	a	A	L	L1	L2	L3	L4	L5	X	HD	H2	H3	H4	Hb	B2	B3	B4	n	S1	S4
184T	3.94 [100]	3.75 (95)	36.44 [1002]	45.25 [1149]	7.88 [200]	29.50 [749]	45.44 [1154]	16.50 [419]	.5 (13)	10.00 [254]	9.81 [249]	11.88 [302]	21.69 [551]	4.00 [102]	16.19 [411]	14.75 [375]	13.00 [330]	4	13.00 [330]	.88 [22]
213T	3.94 [100]	3.75 (95)	41.88 [1064]	45.25 [1149]	7.88 [200]	29.50 [749]	45.44 [1154]	18.94 [481]	.5 (13)	13.00 [330]	9.81 [249]	11.88 [302]	21.69 [551]	4.00 [102]	16.19 [411]	14.75 [375]	13.00 [330]	4	13.00 [330]	.88 [22]
215T	3.94 [100]	3.75 (95)	41.88 [1064]	45.25 [1149]	7.88 [200]	29.50 [749]	45.44 [1154]	18.94 [481]	.5 (13)	13.00 [330]	9.81 [249]	11.88 [302]	21.69 [551]	4.00 [102]	16.19 [411]	14.75 [375]	13.00 [330]	4	13.00 [330]	.88 [22]
254T	3.94 [100]	3.75 (95)	46.13 [1172]	45.25 [1149]	7.88 [200]	29.50 [749]	45.44 [1154]	23.19 [589]	.5 (13)	15.63 [397]	9.81 [249]	11.88 [302]	21.69 [551]	4.00 [102]	16.19 [411]	14.75 [375]	13.00 [330]	4	13.00 [330]	.88 [22]

Flange Dimensions - Suction Side

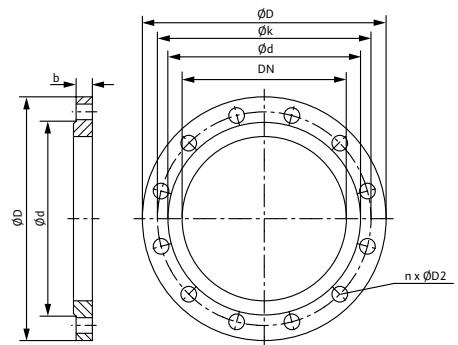
Dimensions - Inches (mm)

DN S #125	ØD	Ød	Øk	b	n	D2
3	7.50 (191)	5.50 (140)	6.00 (152)	.94 (24)	4	.75 (19)

Flange Dimensions - Discharge Side

Dimensions - Inches (mm)

DN D 125#	ØD	Ød	Øk	b	n	D2
2½	7.00 (178)	4.13 (105)	5.50 (140)	.88 (22)	4	.75 (19)

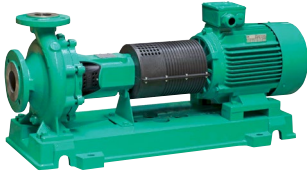


Submittal Data Sheet

Wilco NL - Base Mounted End Suction Pumps

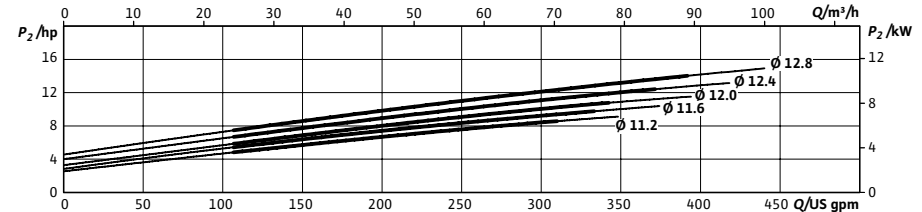
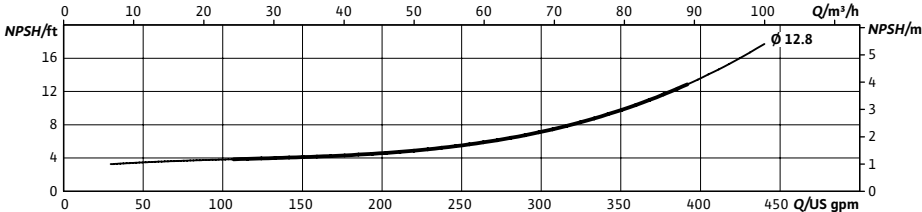
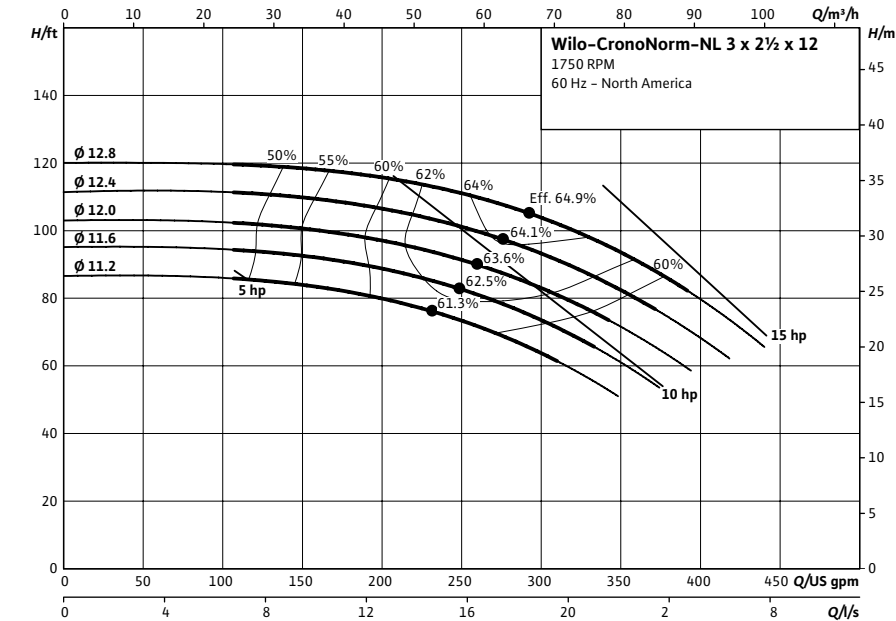


NL 3 x 2½ x 12



Project:	
Engineer:	
Contractor:	
Submitted By:	Date:
Approved By:	Date:

Tag #	Model #	Flow (USGPM)	Head (Feet)	HP	Enclosure TEFC/ODP	Frame	Cycle	Phase	Voltage	RPM
	NL 3 x 2½ x 12						60Hz	3		1750



Technical Data

PEI	
0.93	
Approved Fluids	
Heating Water	
Cooling and cold water	
Water-Glycol mixtures (for 20-40% glycol and fluid temp ≤ 104°F (40°C))	
Fluid Temperature	
Mechanical Seal	18°F to 250°F (-8°C to 120°C)
Stuffing Box Packing	32°F to 220°F (0°C to 105°C)

Materials of Construction

<input type="checkbox"/> Pump Housing	C.I. FG260
<input type="checkbox"/> Impeller	Bronze LG2
<input type="checkbox"/> Impeller (optional)	C.I. FG260
<input type="checkbox"/> Pump Shaft	SS AISI 420
<input type="checkbox"/> Mechanical Seal	Carbon/silicon carbide/EPDM (E1)
<input type="checkbox"/> Other Mechanical Seals	Avail. on request
<input type="checkbox"/> Additional Spacer Coupling	Avail. on request
<input type="checkbox"/> Other:	

Approval Stamp

Submittal Data Sheet

Wilo NL - Base Mounted End Suction Pumps



Dimensions & Weights

Wilo NL



NL 3 x 2½ x 12

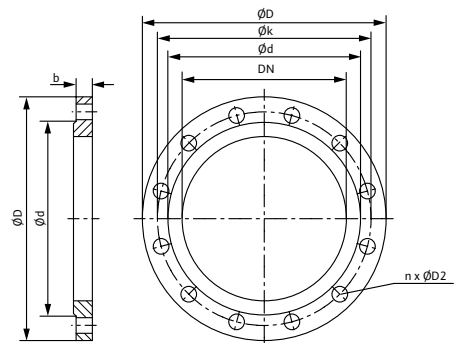
Dimensions - Inches (mm)

Frame	a	A	L	L1	L2	L3	L4	L5	X	HD	H2	H3	H4	Hb	B2	B3	B4	n	S1	S4
254T	4.94 (125)	3.75 (95)	47.13 (1197)	51.44 (1307)	9.88 (251)	31.75 (806)	52.63 (1339)	23.19 (589)	.5 (13)	15.63 (397)	11.00 (279)	13.13 (334)	24.13 (613)	4.25 (108)	18.94 (481)	17.50 (445)	15.75 (400)	4	11.00 (279)	.63 (16)
256T	4.94 (125)	3.75 (95)	47.13 (1197)	51.44 (1307)	9.88 (251)	31.75 (806)	52.63 (1339)	23.19 (589)	.5 (13)	15.63 (397)	11.00 (279)	13.13 (334)	24.13 (613)	4.25 (108)	18.94 (481)	17.50 (445)	15.75 (400)	4	11.00 (279)	.63 (16)
284T	4.94 (125)	3.75 (95)	51.69 (1313)	51.44 (1307)	9.88 (251)	31.75 (806)	52.63 (1339)	27.75 (705)	.5 (13)	17.19 (437)	11.00 (279)	13.13 (334)	24.13 (613)	4.25 (108)	18.94 (481)	17.50 (445)	15.75 (400)	4	11.00 (279)	.63 (16)
286T	4.94 (125)	3.75 (95)	51.69 (1313)	51.44 (1307)	9.88 (251)	31.75 (806)	52.63 (1339)	27.75 (705)	.5 (13)	17.19 (437)	11.00 (279)	13.13 (334)	24.13 (613)	4.25 (108)	18.94 (481)	17.50 (445)	15.75 (400)	4	11.00 (279)	.63 (16)

Flange Dimensions - Suction Side

Dimensions - Inches (mm)

DN S #125	ØD	Ød	Øk	b	n	D2
3	7.50 (191)	5.50 (140)	6.00 (152)	.94 (24)	4	.75 (19)



Flange Dimensions - Discharge Side

Dimensions - Inches (mm)

DN D 125#	ØD	Ød	Øk	b	n	D2
2½	7.00 (178)	4.13 (105)	5.50 (140)	.88 (22)	4	.75 (19)

Submittal Data Sheet

Wilo NL - Base Mounted End Suction Pumps

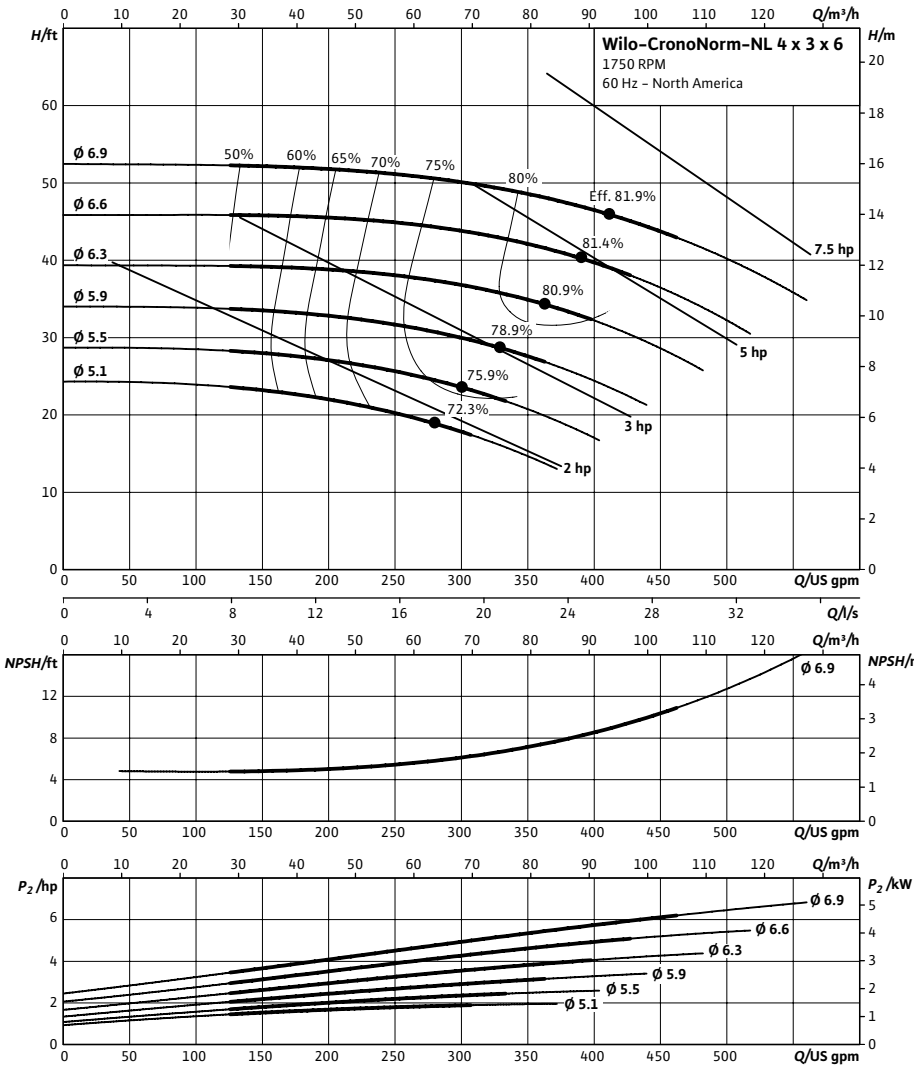


NL 4 x 3 x 6



Project:	
Engineer:	
Contractor:	
Submitted By:	Date:
Approved By:	Date:

Tag #	Model #	Flow (USGPM)	Head (Feet)	HP	Enclosure TEFC/ODP	Frame	Cycle	Phase	Voltage	RPM
	NL 4 x 3 x 6						60Hz	3		1750



Technical Data

PEI	
0.94	
Approved Fluids	
Heating Water	
Cooling and cold water	
Water-Glycol mixtures (for 20-40% glycol and fluid temp \leq 104°F (40°C))	
Fluid Temperature	
Mechanical Seal	18°F to 250°F (-8°C to 120°C)
Stuffing Box Packing	32°F to 220°F (0°C to 105°C)

Materials of Construction

<input type="checkbox"/>	Pump Housing	C.I. FG260
<input type="checkbox"/>	Impeller	Bronze LG2
<input type="checkbox"/>	Impeller (optional)	C.I. FG260
<input type="checkbox"/>	Pump Shaft	SS AISI 420
<input type="checkbox"/>	Mechanical Seal	Carbon/silicon carbide/EPDM (E1)
<input type="checkbox"/>	Other Mechanical Seals	Avail. on request
<input type="checkbox"/>	Additional Spacer Coupling	Avail. on request
<input type="checkbox"/>	Other:	

Approval Stamp

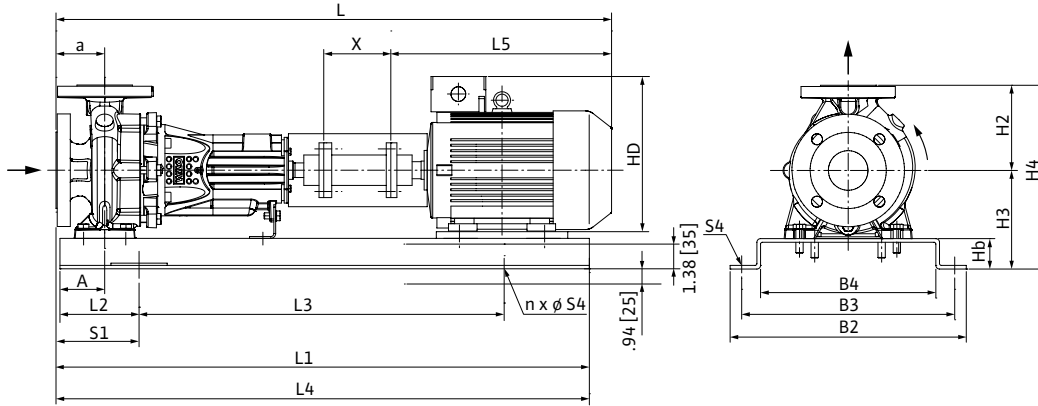
Submittal Data Sheet

Wilo NL – Base Mounted End Suction Pumps



Dimensions & Weights

Wilo NL



NL 4 x 3 x 6

Dimensions – Inches (mm)

Frame	a	A	L	L1	L2	L3	L4	L5	X	HD	H2	H3	H4	Hb	B2	B3	B4	n	S1	S4
145T	4.94 (125)	3.06 (78)	35.13 (893)	33.38 (848)	5.88 (149)	21.56 (548)	35.19 (984)	14.38 (365)	.5 (13)	6.81 (173)	8.88 (225)	9.44 (238)	18.31 (465)	2.38 (60)	18.38 (467)	16.63 (422)	14.44 (367)	4	7.75 (197)	.88 (22)
182T	4.94 (125)	3.06 (78)	36.13 (918)	33.38 (848)	5.88 (149)	21.56 (548)	35.19 (984)	16.50 (419)	.5 (13)	8.44 (214)	8.88 (225)	9.44 (238)	18.31 (465)	2.38 (60)	18.38 (467)	16.63 (422)	14.44 (367)	4	7.75 (197)	.88 (22)
184T	4.94 (125)	3.06 (78)	36.13 (918)	33.38 (848)	5.88 (149)	21.56 (548)	35.19 (984)	18.94 (481)	.5 (13)	8.44 (214)	8.88 (225)	9.44 (238)	18.31 (465)	2.38 (60)	18.38 (467)	16.63 (422)	14.44 (367)	4	7.75 (197)	.88 (22)
213T	4.94 (125)	3.06 (78)	38.56 (980)	33.38 (848)	5.88 (149)	21.56 (548)	35.19 (984)	18.94 (481)	.5 (13)	10.00 (254)	8.88 (225)	9.44 (238)	18.31 (465)	2.38 (60)	18.38 (467)	16.63 (422)	14.44 (367)	4	7.75 (197)	.88 (22)

Flange Dimensions – Suction Side

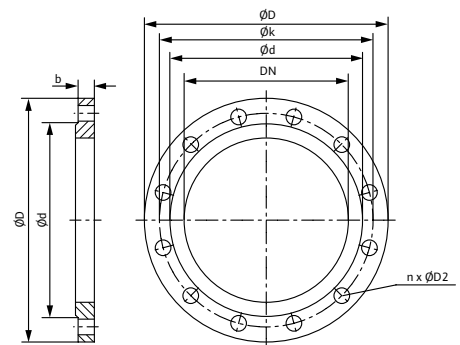
Dimensions – Inches (mm)

DN S #125	øD	ød	øk	b	n	D2
4	9.00 (229)	6.19 (157)	7.50 (191)	.94 (24)	8	.75 (19)

Flange Dimensions – Discharge Side

Dimensions – Inches (mm)

DND 125#	øD	ød	øk	b	n	D2
3	7.50 (191)	5.50 (140)	6.00 (152)	.94 (24)	4	.75 (19)

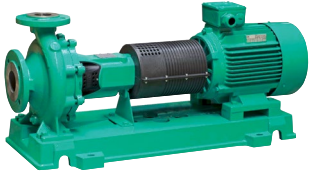


Submittal Data Sheet

Wilo NL - Base Mounted End Suction Pumps

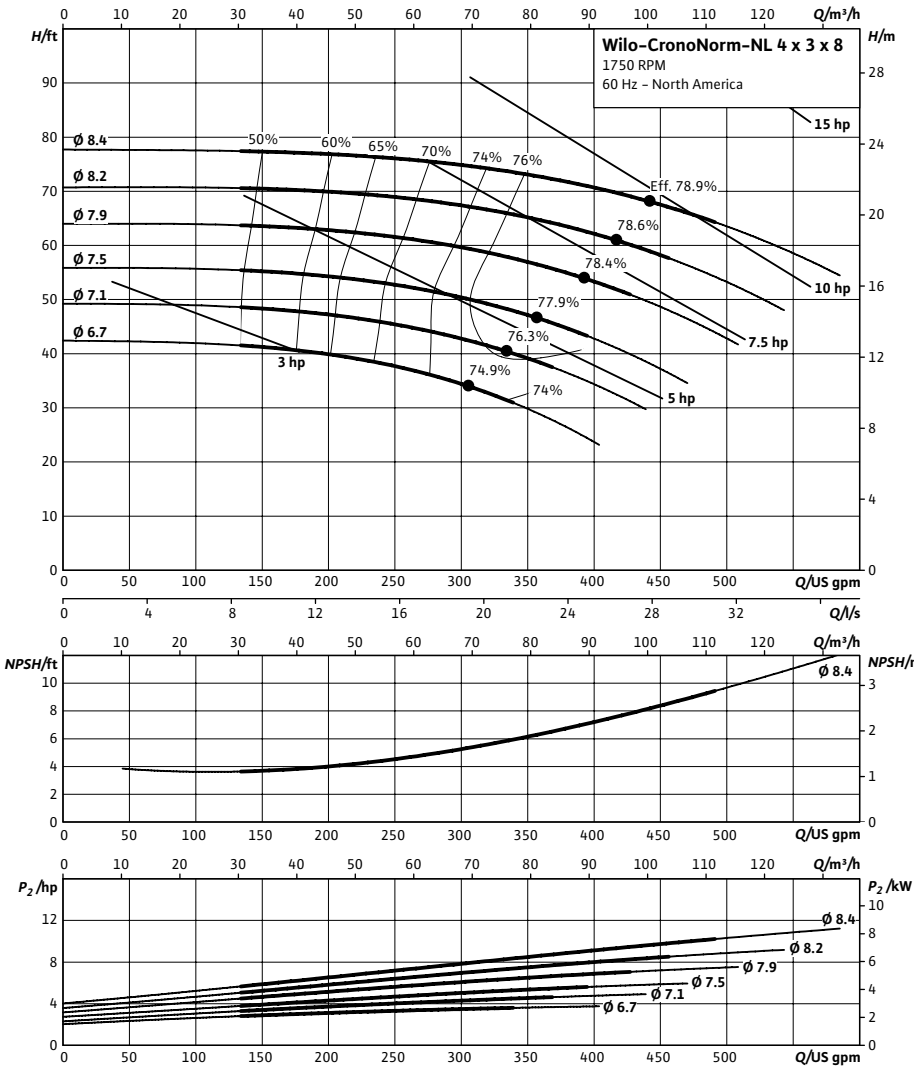


NL 4 x 3 x 8



Project:	
Engineer:	
Contractor:	
Submitted By:	Date:
Approved By:	Date:

Tag #	Model #	Flow (USGPM)	Head (Feet)	HP	Enclosure TEFC/ODP	Frame	Cycle	Phase	Voltage	RPM
	NL 4 x 3 x 8						60Hz	3		1750



Technical Data

PEI	0.78
Approved Fluids	Heating Water Cooling and cold water Water-Glycol mixtures (for 20-40% glycol and fluid temp ≤ 104°F (40°C))
Fluid Temperature	Mechanical Seal: 18°F to 250°F (-8°C to 120°C) Stuffing Box Packing: 32°F to 220°F (0°C to 105°C)

Materials of Construction

<input type="checkbox"/> Pump Housing	C.I. FG260
<input type="checkbox"/> Impeller	Bronze LG2
<input type="checkbox"/> Impeller (optional)	C.I. FG260
<input type="checkbox"/> Pump Shaft	SS AISI 420
<input type="checkbox"/> Mechanical Seal	Carbon/silicon carbide/EPDM (E1)
<input type="checkbox"/> Other Mechanical Seals	Avail. on request
<input type="checkbox"/> Additional Spacer Coupling	Avail. on request
<input type="checkbox"/> Other:	

Approval Stamp

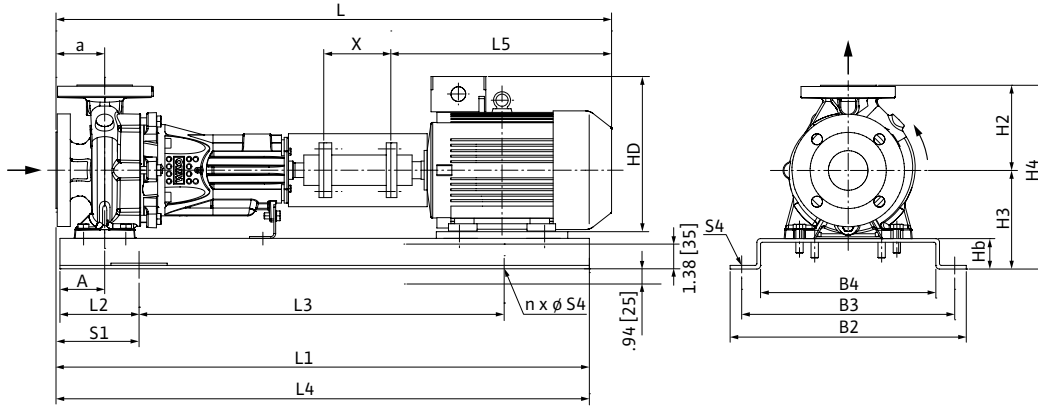
Submittal Data Sheet

Wilo NL – Base Mounted End Suction Pumps



Dimensions & Weights

Wilo NL



NL 4 x 3 x 8

Dimensions – Inches (mm)

Frame	a	A	L	L1	L2	L3	L4	L5	X	HD	H2	H3	H4	Hb	B2	B3	B4	n	S1	S4
182T	4.94 (125)	3.75 (95)	42.00 (1067)	45.25 (1149)	7.88 (200)	29.50 (749)	46.44 (1180)	18.06 (459)	.5 (13)	11.25 (286)	9.88 (251)	11.38 (289)	21.19 (538)	4.25 (108)	16.19 (411)	17.75 (451)	13.00 (330)	4	9.00 (229)	.63 (16)
184T	4.94 (125)	3.75 (95)	42.00 (1067)	45.25 (1149)	7.88 (200)	29.50 (749)	46.44 (1180)	18.06 (459)	.5 (13)	11.25 (286)	9.88 (251)	11.38 (289)	21.19 (538)	4.25 (108)	16.19 (411)	17.75 (451)	13.00 (330)	4	9.00 (229)	.63 (16)
213T	4.94 (125)	3.75 (95)	44.44 (1129)	45.25 (1149)	7.88 (200)	29.50 (749)	46.44 (1180)	20.50 (521)	.5 (13)	13.00 (330)	9.88 (251)	11.38 (289)	21.19 (538)	4.25 (108)	16.19 (411)	17.75 (451)	13.00 (330)	4	9.00 (229)	.63 (16)
215T	4.94 (125)	3.75 (95)	44.44 (1129)	45.25 (1149)	7.88 (200)	29.50 (749)	46.44 (1180)	20.50 (521)	.5 (13)	13.00 (330)	9.88 (251)	11.38 (289)	21.19 (538)	4.25 (108)	16.19 (411)	17.75 (451)	13.00 (330)	4	9.00 (229)	.63 (16)
254T	4.94 (125)	3.75 (95)	47.13 (1197)	45.25 (1149)	7.88 (200)	29.50 (749)	46.44 (1180)	23.19 (589)	.5 (13)	15.63 (397)	9.88 (251)	11.38 (289)	21.19 (538)	4.25 (108)	16.19 (411)	17.75 (451)	13.00 (330)	4	9.00 (229)	.63 (16)

Flange Dimensions – Suction Side

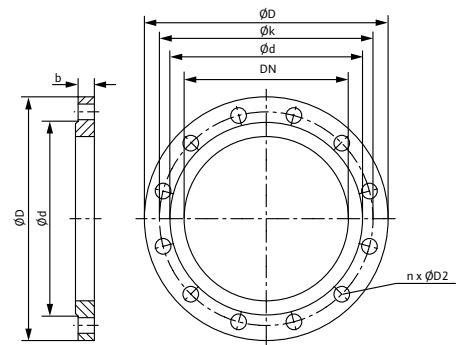
Dimensions – Inches (mm)

DN S #125	ØD	Ød	Øk	b	n	D2
4	9.00 (229)	6.19 (157)	7.50 (191)	.94 (24)	8	.75 (19)

Flange Dimensions – Discharge Side

Dimensions – Inches (mm)

DN D 125#	ØD	Ød	Øk	b	n	D2
3	7.50 (191)	5.50 (140)	6.00 (152)	.94 (24)	4	.75 (19)



Submittal Data Sheet

Wilo NL - Base Mounted End Suction Pumps

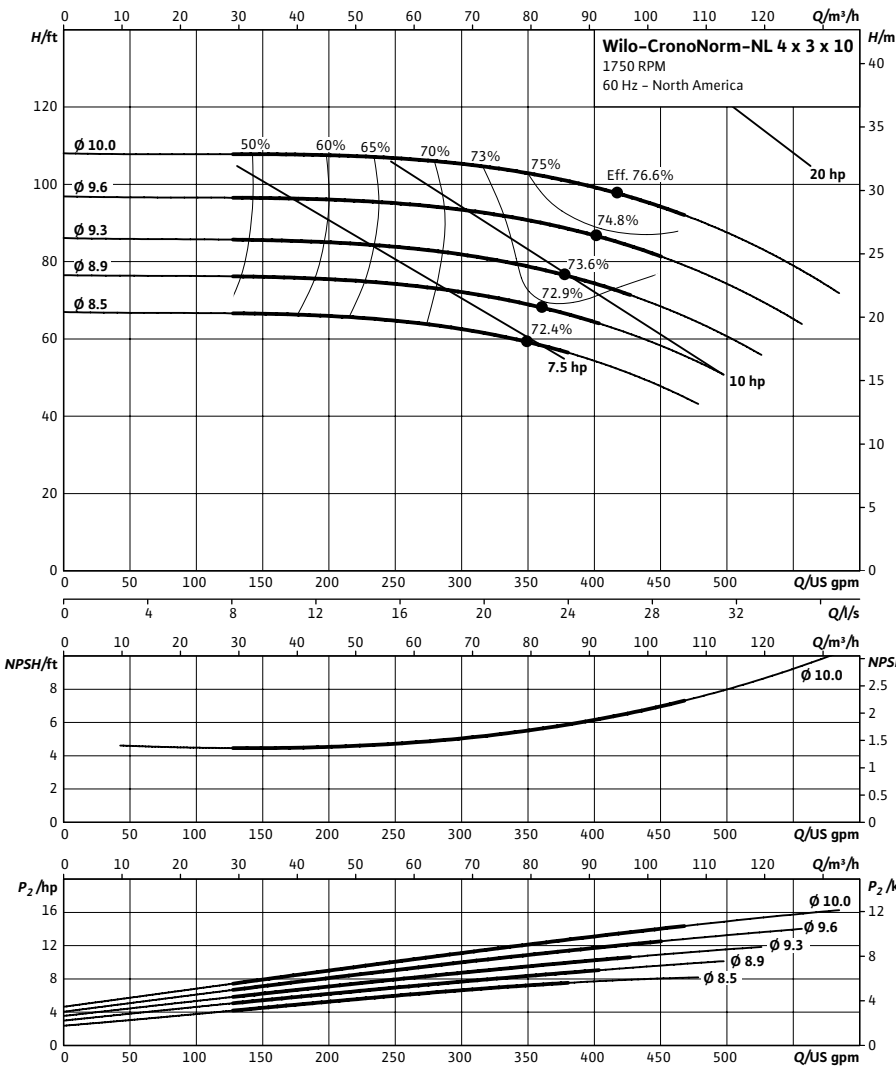


NL 4 x 3 x 10



Project:	
Engineer:	
Contractor:	
Submitted By:	Date:
Approved By:	Date:

Tag #	Model #	Flow (USGPM)	Head (Feet)	HP	Enclosure TEFC/ODP	Frame	Cycle	Phase	Voltage	RPM
	NL 4 x 3 x 10						60Hz	3		1750



Technical Data

PEI	
0.84	
Approved Fluids	
Heating Water	
Cooling and cold water	
Water-Glycol mixtures (for 20-40% glycol and fluid temp ≤ 104°F (40°C))	
Fluid Temperature	
Mechanical Seal	18°F to 250°F (-8°C to 120°C)
Stuffing Box Packing	32°F to 220°F (0°C to 105°C)

Materials of Construction

<input type="checkbox"/> Pump Housing	C.I. FG260
<input type="checkbox"/> Impeller	Bronze LG2
<input type="checkbox"/> Impeller (optional)	C.I. FG260
<input type="checkbox"/> Pump Shaft	SS AISI 420
<input type="checkbox"/> Mechanical Seal	Carbon/silicon carbide/EPDM (E1)
<input type="checkbox"/> Other Mechanical Seals	Avail. on request
<input type="checkbox"/> Additional Spacer Coupling	Avail. on request
<input type="checkbox"/> Other:	

Approval Stamp

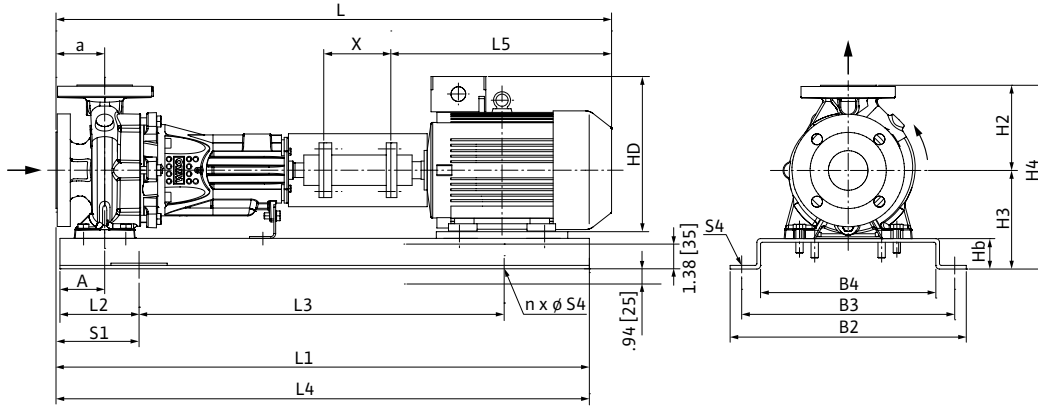
Submittal Data Sheet

Wilo NL – Base Mounted End Suction Pumps



Dimensions & Weights

Wilo NL



NL 4 x 3 x 10

Dimensions – Inches (mm)

Frame	a	A	L	L1	L2	L3	L4	L5	X	HD	H2	H3	H4	Hb	B2	B3	B4	n	S1	S4
213T	4.94 (125)	3.75 (95)	44.44 (1129)	51.44 (1307)	9.88 (251)	31.75 (806)	52.63 (1339)	20.50 (521)	.5 (13)	13.00 (330)	11.00 (279)	12.13 (308)	23.13 (588)	4.25 (108)	18.94 (481)	17.50 (445)	15.75 (400)	4	11.00 (279)	.63 (16)
215T	4.94 (125)	3.75 (95)	44.44 (1129)	51.44 (1307)	9.88 (251)	31.75 (806)	52.63 (1339)	20.50 (521)	.5 (13)	13.00 (330)	11.00 (279)	12.13 (308)	23.13 (588)	4.25 (108)	18.94 (481)	17.50 (445)	15.75 (400)	4	11.00 (279)	.63 (16)
254T	4.94 (125)	3.75 (95)	47.13 (1197)	51.44 (1307)	9.88 (251)	31.75 (806)	52.63 (1339)	23.19 (589)	.5 (13)	15.63 (397)	11.00 (279)	12.13 (308)	23.13 (588)	4.25 (108)	18.94 (481)	17.50 (445)	15.75 (400)	4	11.00 (279)	.63 (16)
256T	4.94 (125)	3.75 (95)	47.13 (1197)	51.44 (1307)	9.88 (251)	31.75 (806)	52.63 (1339)	23.19 (589)	.5 (13)	15.63 (397)	11.00 (279)	12.13 (308)	23.13 (588)	4.25 (108)	18.94 (481)	17.50 (445)	15.75 (400)	4	11.00 (279)	.63 (16)

Flange Dimensions – Suction Side

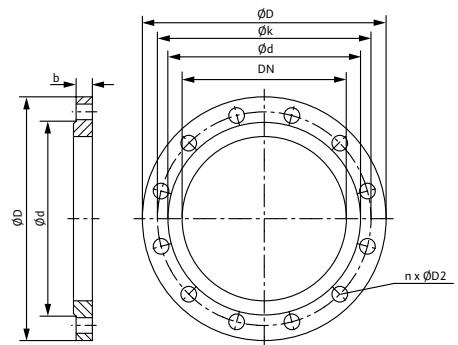
Dimensions – Inches (mm)

DN S #125	ØD	Ød	Øk	b	n	D2
4	9.00 (229)	6.19 (157)	7.50 (191)	.94 (24)	8	.75 (19)

Flange Dimensions – Discharge Side

Dimensions – Inches (mm)

DN D 125#	ØD	Ød	Øk	b	n	D2
3	7.50 (191)	5.50 (140)	6.00 (152)	.94 (24)	4	.75 (19)

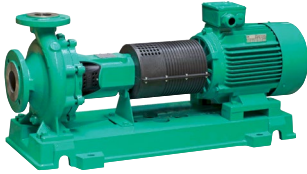


Submittal Data Sheet

Wilco NL - Base Mounted End Suction Pumps

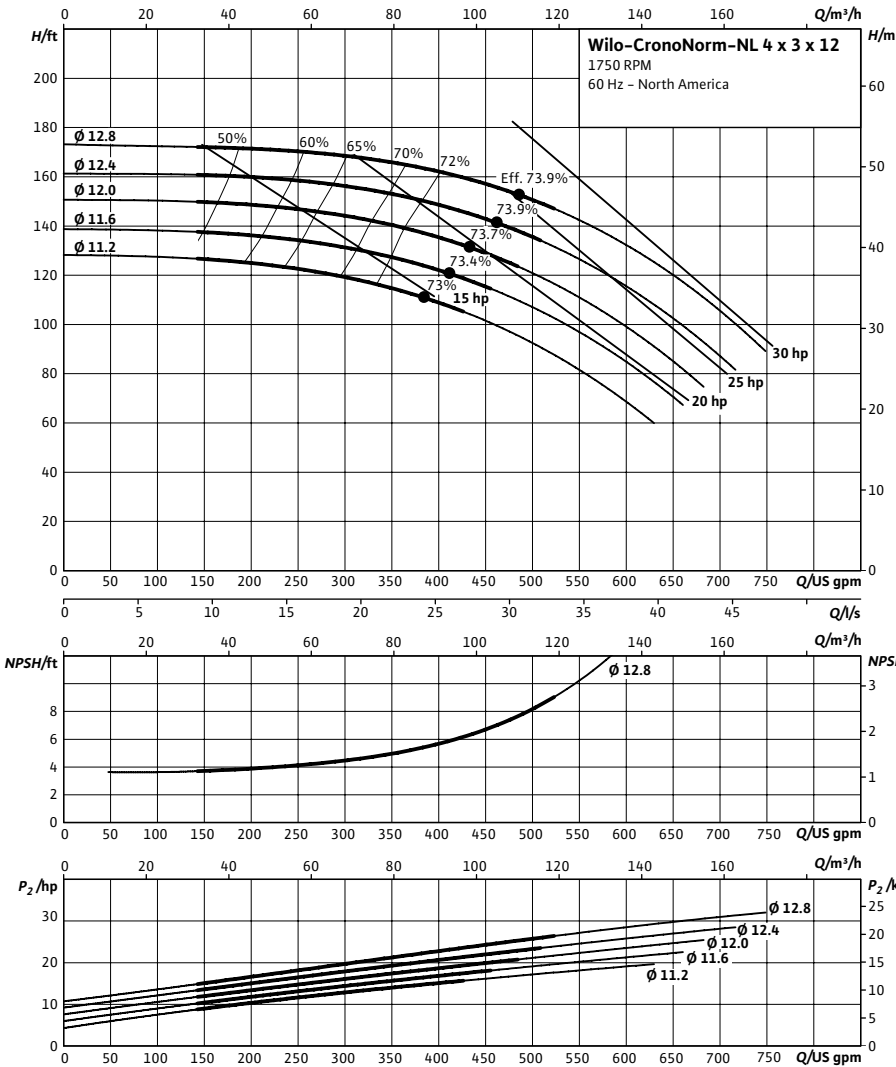


NL 4 x 3 x 12



Project:	
Engineer:	
Contractor:	
Submitted By:	Date:
Approved By:	Date:

Tag #	Model #	Flow (USGPM)	Head (Feet)	HP	Enclosure TEFC/ODP	Frame	Cycle	Phase	Voltage	RPM
	NL 4 x 3 x 12						60Hz	3		1750



Technical Data

PEI	
0.93	
Approved Fluids	
Heating Water	
Cooling and cold water	
Water-Glycol mixtures (for 20-40% glycol and fluid temp ≤ 104°F (40°C))	
Fluid Temperature	
Mechanical Seal	18°F to 250°F (-8°C to 120°C)
Stuffing Box Packing	32°F to 220°F (0°C to 105°C)

Materials of Construction

<input type="checkbox"/> Pump Housing	C.I. FG260
<input type="checkbox"/> Impeller	Bronze LG2
<input type="checkbox"/> Impeller (optional)	C.I. FG260
<input type="checkbox"/> Pump Shaft	SS AISI 420
<input type="checkbox"/> Mechanical Seal	Carbon/silicon carbide/EPDM (E1)
<input type="checkbox"/> Other Mechanical Seals	Avail. on request
<input type="checkbox"/> Additional Spacer Coupling	Avail. on request
<input type="checkbox"/> Other:	

Approval Stamp

Submittal Data Sheet

Wilo NL - Base Mounted End Suction Pumps



Dimensions & Weights

Wilo NL



NL 4 x 3 x 12

Dimensions - Inches (mm)

Frame	a	A	L	L1	L2	L3	L4	L5	X	HD	H2	H3	H4	Hb	B2	B3	B4	n	S1	S4
254T	4.94 (125)	3.75 (95)	47.13 (1197)	51.44 (1307)	9.88 (251)	31.75 (806)	52.63 (1339)	23.19 (589)	.5 (13)	15.63 (397)	12.44 (316)	14.13 (359)	26.50 (673)	4.25 (108)	18.94 (481)	17.50 (445)	15.75 (400)	4	11.00 (279)	.63 (16)
256T	4.94 (125)	3.75 (95)	47.13 (1197)	51.44 (1307)	9.88 (251)	31.75 (806)	52.63 (1339)	23.19 (589)	.5 (13)	15.63 (397)	12.44 (316)	14.13 (359)	26.50 (673)	4.25 (108)	18.94 (481)	17.50 (445)	15.75 (400)	4	11.00 (279)	.63 (16)
284T	4.94 (125)	3.75 (95)	51.69 (1313)	51.44 (1307)	9.88 (251)	31.75 (806)	52.63 (1339)	27.75 (705)	.5 (13)	17.19 (437)	12.44 (316)	14.13 (359)	26.50 (673)	4.25 (108)	18.94 (481)	17.50 (445)	15.75 (400)	4	11.00 (279)	.63 (16)
286T	4.94 (125)	3.75 (95)	51.69 (1313)	51.44 (1307)	9.88 (251)	31.75 (806)	52.63 (1339)	27.75 (705)	.5 (13)	17.19 (437)	12.44 (316)	14.13 (359)	26.50 (673)	4.25 (108)	18.94 (481)	17.50 (445)	15.75 (400)	4	11.00 (279)	.63 (16)
324T	4.94 (125)	3.75 (95)	54.31 (1375)	51.44 (1307)	9.88 (251)	31.75 (806)	52.63 (1339)	30.38 (772)	.5 (13)	19.50 (495)	12.44 (316)	14.13 (359)	26.50 (673)	4.25 (108)	18.94 (481)	17.50 (445)	15.75 (400)	4	11.00 (279)	.63 (16)

Flange Dimensions - Suction Side

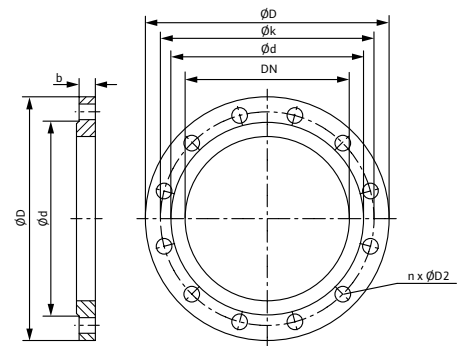
Dimensions - Inches (mm)

DN S #125	ØD	Ød	Øk	b	n	D2
4	9.00 (229)	6.19 (157)	7.50 (191)	.94 (24)	8	.75 (19)

Flange Dimensions - Discharge Side

Dimensions - Inches (mm)

DN D 125#	ØD	Ød	Øk	b	n	D2
3	7.50 (191)	5.50 (140)	6.00 (152)	.94 (24)	4	.75 (19)

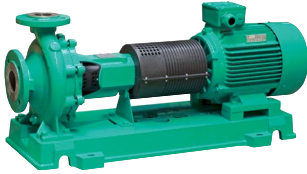


Submittal Data Sheet

Wilo NL - Base Mounted End Suction Pumps

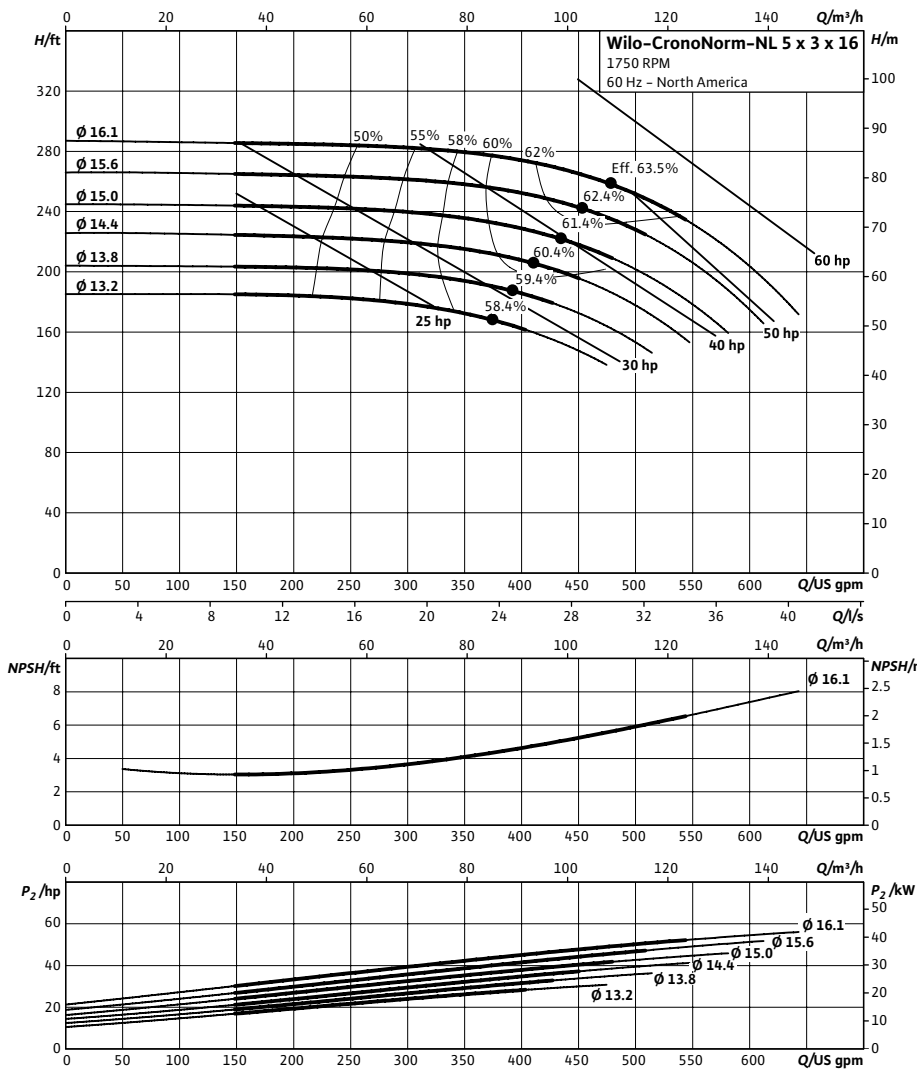


NL 5 x 3 x 16



Project:	
Engineer:	
Contractor:	
Submitted By:	Date:
Approved By:	Date:

Tag #	Model #	Flow (USGPM)	Head (Feet)	HP	Enclosure TEFC/ODP	Frame	Cycle	Phase	Voltage	RPM
	NL 5 x 3 x 16						60Hz	3		1750



Technical Data

PEI
0.91
Approved Fluids
Heating Water
Cooling and cold water
Water-Glycol mixtures (for 20-40% glycol and fluid temp ≤ 104°F (40°C))
Fluid Temperature
Mechanical Seal 18°F to 250°F (-8°C to 120°C)

Materials of Construction

<input type="checkbox"/> Pump Housing	C.I. FG260
<input type="checkbox"/> Impeller	Bronze LG2
<input type="checkbox"/> Impeller (optional)	C.I. FG260
<input type="checkbox"/> Pump Shaft	SS AISI 420
<input type="checkbox"/> Mechanical Seal	Carbon/silicon carbide/EPDM (E1)
<input type="checkbox"/> Other Mechanical Seals	Avail. on request
<input type="checkbox"/> Additional Spacer Coupling	Avail. on request
<input type="checkbox"/> Other:	

Approval Stamp

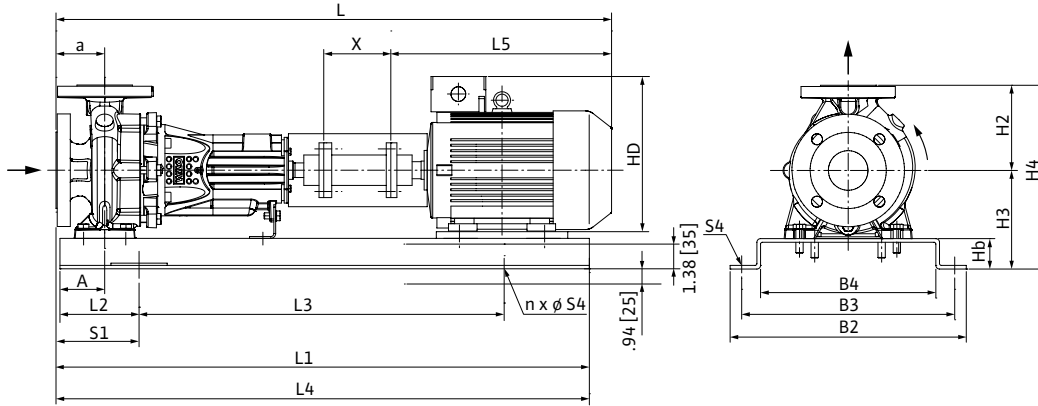
Submittal Data Sheet

Wilo NL – Base Mounted End Suction Pumps



Dimensions & Weights

Wilo NL



NL 5 x 3 x 16

Dimensions – Inches (mm)

Frame	a	A	L	L1	L2	L3	L4	L5	X	HD	H2	H3	H4	Hb	B2	B3	B4	n	S1	S4
284T	4.94 (125)	3.75 (95)	54.06 (1373)	51.44 (1307)	9.81 (249)	31.75 (807)	52.63 (1337)	27.75 (705)	.5 (13)	17.19 (437)	13.94 (354)	15.25 (387)	29.25 (743)	4.25 (108)	18.94 (481)	17.50 (445)	15.75 (400)	4	11.00 (279)	.63 (16)
286T	4.94 (125)	3.75 (95)	54.06 (1373)	51.44 (1307)	9.81 (249)	31.75 (807)	52.63 (1337)	27.75 (705)	.5 (13)	17.19 (437)	13.94 (354)	15.25 (387)	29.25 (743)	4.25 (108)	18.94 (481)	17.50 (445)	15.75 (400)	4	11.00 (279)	.63 (16)
324T	4.94 (125)	3.75 (95)	56.69 (1440)	51.44 (1307)	9.81 (249)	31.75 (807)	52.63 (1337)	30.38 (772)	.5 (13)	19.50 (495)	13.94 (354)	15.25 (387)	29.25 (743)	4.25 (108)	18.94 (481)	17.50 (445)	15.75 (400)	4	11.00 (279)	.63 (16)
326T	4.94 (125)	3.75 (95)	56.69 (1440)	51.44 (1307)	9.81 (249)	31.75 (807)	52.63 (1337)	30.38 (772)	.5 (13)	19.50 (495)	13.94 (354)	15.25 (387)	29.25 (743)	4.25 (108)	18.94 (481)	17.50 (445)	15.75 (400)	4	11.00 (279)	.63 (16)
364T	4.94 (125)	3.75 (95)	59.31 (1506)	51.44 (1307)	9.81 (249)	31.75 (807)	52.63 (1337)	33.00 (838)	.5 (13)	21.94 (557)	13.94 (354)	15.25 (387)	29.25 (743)	4.25 (108)	18.94 (481)	17.50 (445)	15.75 (400)	4	11.00 (279)	.63 (16)
364TS	4.94 (125)	3.75 (95)	57.00 (1448)	51.44 (1307)	9.81 (249)	31.75 (807)	52.63 (1337)	30.75 (781)	.5 (13)	22.00 (559)	13.94 (354)	15.25 (387)	29.25 (743)	4.25 (108)	18.94 (481)	17.50 (445)	15.75 (400)	4	11.00 (279)	.63 (16)

Flange Dimensions – Suction Side

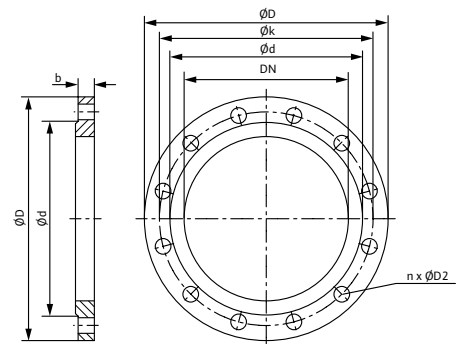
Dimensions – Inches (mm)

DN S #125	ØD	Ød	Øk	b	n	D2
5	10.00 (254)	7.31 (186)	8.50 (216)	.94 (24)	8	.88 (22)

Flange Dimensions – Discharge Side

Dimensions – Inches (mm)

DN D 125#	ØD	Ød	Øk	b	n	D2
3	7.50 (191)	5.50 (140)	6.00 (152)	.94 (24)	4	.75 (19)



Submittal Data Sheet

Wilo NL - Base Mounted End Suction Pumps

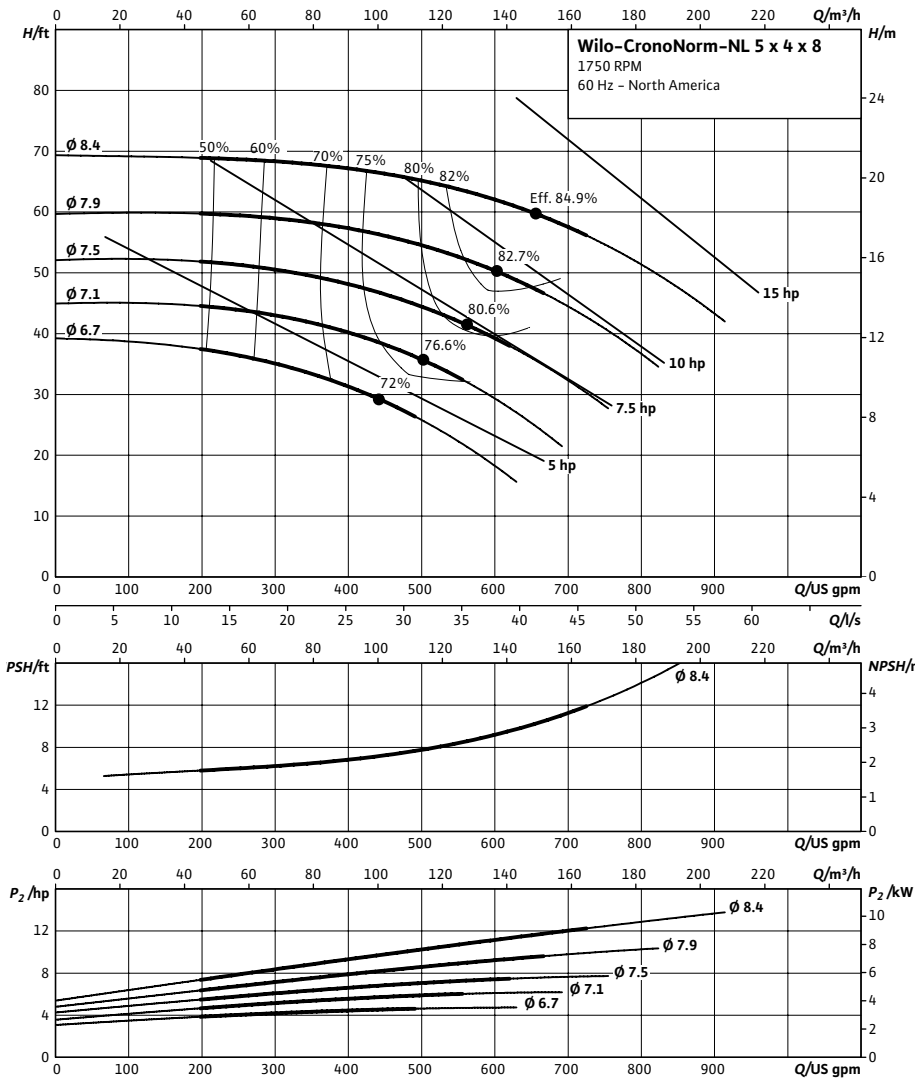


NL 5 x 4 x 8



Project:	
Engineer:	
Contractor:	
Submitted By:	Date:
Approved By:	Date:

Tag #	Model #	Flow (USGPM)	Head (Feet)	HP	Enclosure TEFC/ODP	Frame	Cycle	Phase	Voltage	RPM
	NL 5 x 4 x 8						60Hz	3		1750



Technical Data

PEI	
0.94	
Approved Fluids	
Heating Water	
Cooling and cold water	
Water-Glycol mixtures (for 20-40% glycol and fluid temp ≤ 104°F (40°C))	
Fluid Temperature	
Mechanical Seal	18°F to 250°F (-8°C to 120°C)
Stuffing Box Packing	32°F to 220°F (0°C to 105°C)

Materials of Construction

<input type="checkbox"/> Pump Housing	C.I. FG260
<input type="checkbox"/> Impeller	Bronze LG2
<input type="checkbox"/> Impeller (optional)	C.I. FG260
<input type="checkbox"/> Pump Shaft	SS AISI 420
<input type="checkbox"/> Mechanical Seal	Carbon/silicon carbide/EPDM (E1)
<input type="checkbox"/> Other Mechanical Seals	Avail. on request
<input type="checkbox"/> Additional Spacer Coupling	Avail. on request
<input type="checkbox"/> Other:	

Approval Stamp

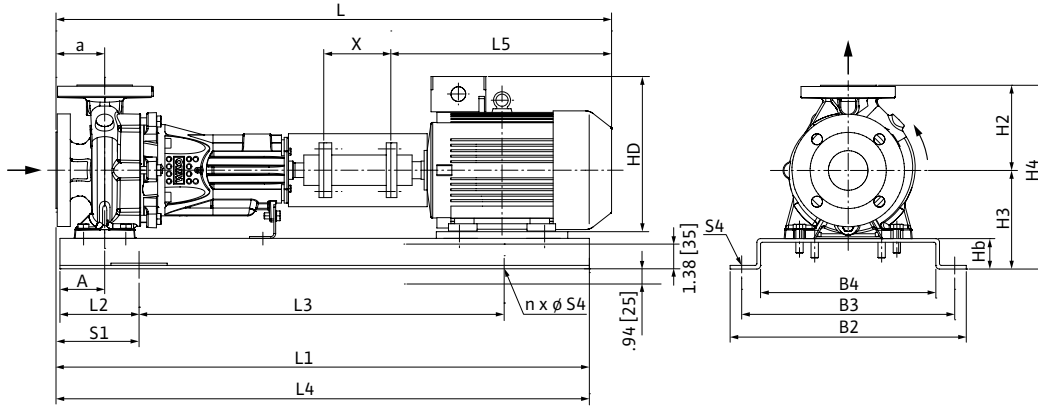
Submittal Data Sheet

Wilo NL - Base Mounted End Suction Pumps



Dimensions & Weights

Wilo NL



NL 5 x 4 x 8

Dimensions - Inches (mm)

Frame	a	A	L	L1	L2	L3	L4	L5	X	HD	H2	H3	H4	Hb	B2	B3	B4	n	S1	S4
182T	4.94 (125)	3.75 (95)	40.44 (1027)	45.25 (1149)	7.88 (200)	29.50 (749)	46.44 (1180)	16.50 (419)	.5 (13)	8.44 (214)	11.00 (279)	11.88 (302)	22.88 (581)	4.00 (102)	16.19 (411)	14.75 (375)	13.00 (330)	4	9.00 (229)	.63 (16)
184T	4.94 (125)	3.75 (95)	40.44 (1027)	45.25 (1149)	7.88 (200)	29.50 (749)	46.44 (1180)	16.50 (419)	.5 (13)	8.44 (214)	11.00 (279)	11.88 (302)	22.88 (581)	4.00 (102)	16.19 (411)	14.75 (375)	13.00 (330)	4	9.00 (229)	.63 (16)
213T	4.94 (125)	3.75 (95)	42.88 (1089)	45.25 (1149)	7.88 (200)	29.50 (749)	46.44 (1180)	18.94 (481)	.5 (13)	10.00 (254)	11.00 (279)	11.88 (302)	22.88 (581)	4.00 (102)	16.19 (411)	14.75 (375)	13.00 (330)	4	9.00 (229)	.63 (16)
215T	4.94 (125)	3.75 (95)	42.88 (1089)	45.25 (1149)	7.88 (200)	29.50 (749)	46.44 (1180)	18.94 (481)	.5 (13)	10.00 (254)	11.00 (279)	11.88 (302)	22.88 (581)	4.00 (102)	16.19 (411)	14.75 (375)	13.00 (330)	4	9.00 (229)	.63 (16)
254T	4.94 (125)	3.75 (95)	47.13 (1197)	45.25 (1149)	7.88 (200)	29.50 (749)	46.44 (1180)	23.19 (588)	.5 (13)	12.00 (305)	11.00 (279)	11.88 (302)	22.88 (581)	4.00 (102)	16.19 (411)	14.75 (375)	13.00 (330)	4	9.00 (229)	.63 (16)

Flange Dimensions - Suction Side

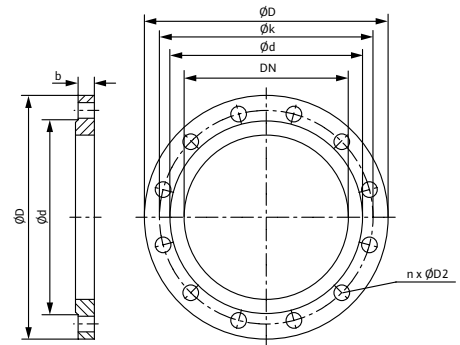
Dimensions - Inches (mm)

DN S #125	ØD	Ød	Øk	b	n	D2
5	10.00 (254)	7.31 (186)	8.50 (216)	.94 (24)	8	.88 (22)

Flange Dimensions - Discharge Side

Dimensions - Inches (mm)

DN D 125#	ØD	Ød	Øk	b	n	D2
4	9.00 (229)	6.19 (157)	7.50 (191)	.94 (24)	8	.75 (19)

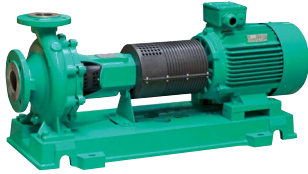


Submittal Data Sheet

Wilco NL - Base Mounted End Suction Pumps

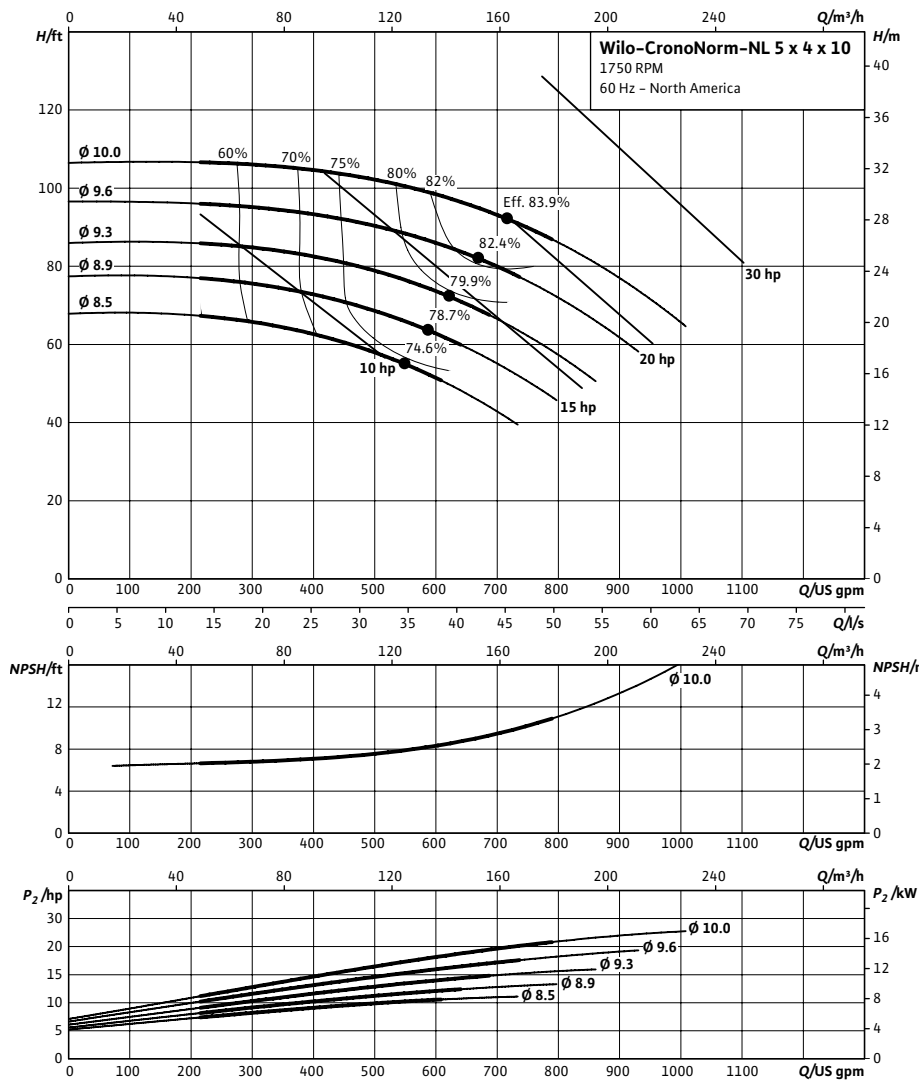


NL 5 x 4 x 10



Project:	
Engineer:	
Contractor:	
Submitted By:	Date:
Approved By:	Date:

Tag #	Model #	Flow (USGPM)	Head (Feet)	HP	Enclosure TEFC/ODP	Frame	Cycle	Phase	Voltage	RPM
	NL 5 x 4 x 10						60Hz	3		1750



Technical Data

PEI	
0.70	
Approved Fluids	
Heating Water	
Cooling and cold water	
Water-Glycol mixtures (for 20-40% glycol and fluid temp ≤ 104°F (40°C))	
Fluid Temperature	
Mechanical Seal	18°F to 250°F (-8°C to 120°C)
Stuffing Box Packing	32°F to 220°F (0°C to 105°C)

Materials of Construction

<input type="checkbox"/> Pump Housing	C.I. FG260
<input type="checkbox"/> Impeller	Bronze LG2
<input type="checkbox"/> Impeller (optional)	C.I. FG260
<input type="checkbox"/> Pump Shaft	SS AISI 420
<input type="checkbox"/> Mechanical Seal	Carbon/silicon carbide/EPDM (E1)
<input type="checkbox"/> Other Mechanical Seals	Avail. on request
<input type="checkbox"/> Additional Spacer Coupling	Avail. on request
<input type="checkbox"/> Other:	

Approval Stamp

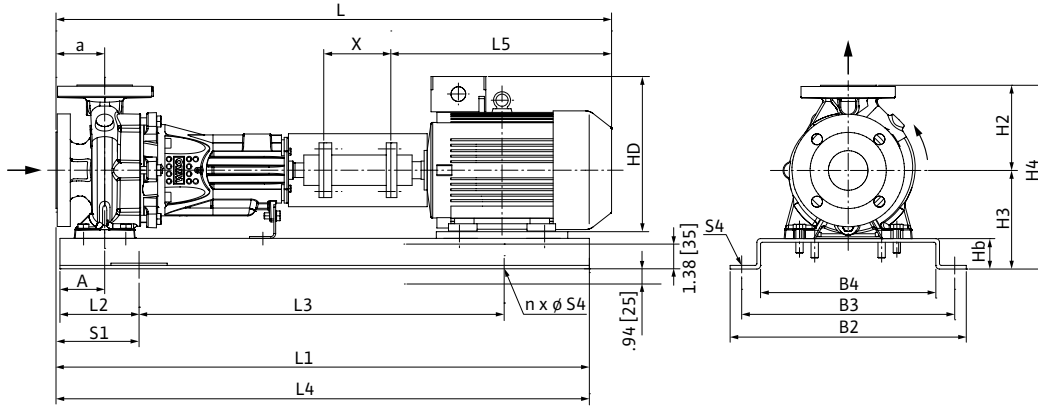
Submittal Data Sheet

Wilo NL – Base Mounted End Suction Pumps



Dimensions & Weights

Wilo NL



NL 5 x 4 x 10

Dimensions – Inches (mm)

Frame	a	A	L	L1	L2	L3	L4	L5	X	HD	H2	H3	H4	Hb	B2	B3	B4	n	S1	S4
215T	5.50 (140)	3.75 (95)	43.63 (1109)	51.44 (1307)	9.81 (249)	31.75 (806)	26.44 (672)	18.94 (481)	.5 (13)	10.00 (254)	11.00 (279)	12.88 (327)	23.88 (606)	4.00 (102)	18.94 (481)	17.50 (445)	15.75 (400)	4	11.56 (294)	.63 (16)
254T	5.50 (140)	3.75 (95)	47.50 (1207)	51.44 (1307)	9.81 (249)	31.75 (806)	26.44 (672)	23.13 (588)	.5 (13)	12.00 (305)	11.00 (279)	12.88 (327)	23.88 (606)	4.00 (102)	18.94 (481)	17.50 (445)	15.75 (400)	4	11.56 (294)	.63 (16)
256T	5.50 (140)	3.75 (95)	47.50 (1207)	51.44 (1307)	9.81 (249)	31.75 (806)	26.44 (672)	23.13 (588)	.5 (13)	12.00 (305)	11.00 (279)	12.88 (327)	23.88 (606)	4.00 (102)	18.94 (481)	17.50 (445)	15.75 (400)	4	11.56 (294)	.63 (16)
284T	5.50 (140)	3.75 (95)	50.94 (1394)	51.44 (1307)	9.81 (249)	31.75 (806)	26.44 (672)	26.44 (672)	.5 (13)	13.63 (346)	11.00 (279)	12.88 (327)	23.88 (606)	4.00 (102)	18.94 (481)	17.50 (445)	15.75 (400)	4	11.56 (294)	.63 (16)

Flange Dimensions – Suction Side

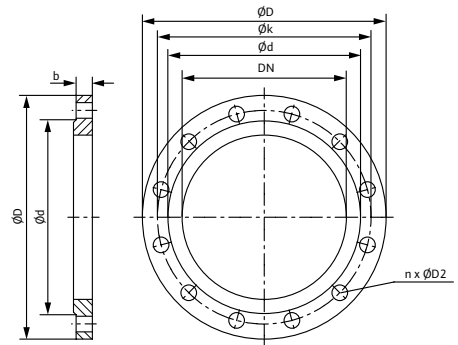
Dimensions – Inches (mm)

DN S #125	ØD	Ød	Øk	b	n	D2
5	10.00 (254)	7.31 (186)	8.50 (216)	.94 (24)	8	.88 (22)

Flange Dimensions – Discharge Side

Dimensions – Inches (mm)

DN D 125#	ØD	Ød	Øk	b	n	D2
4	9.00 (229)	6.19 (157)	7.50 (191)	.94 (24)	8	.75 (19)



Submittal Data Sheet

Wilco NL - Base Mounted End Suction Pumps

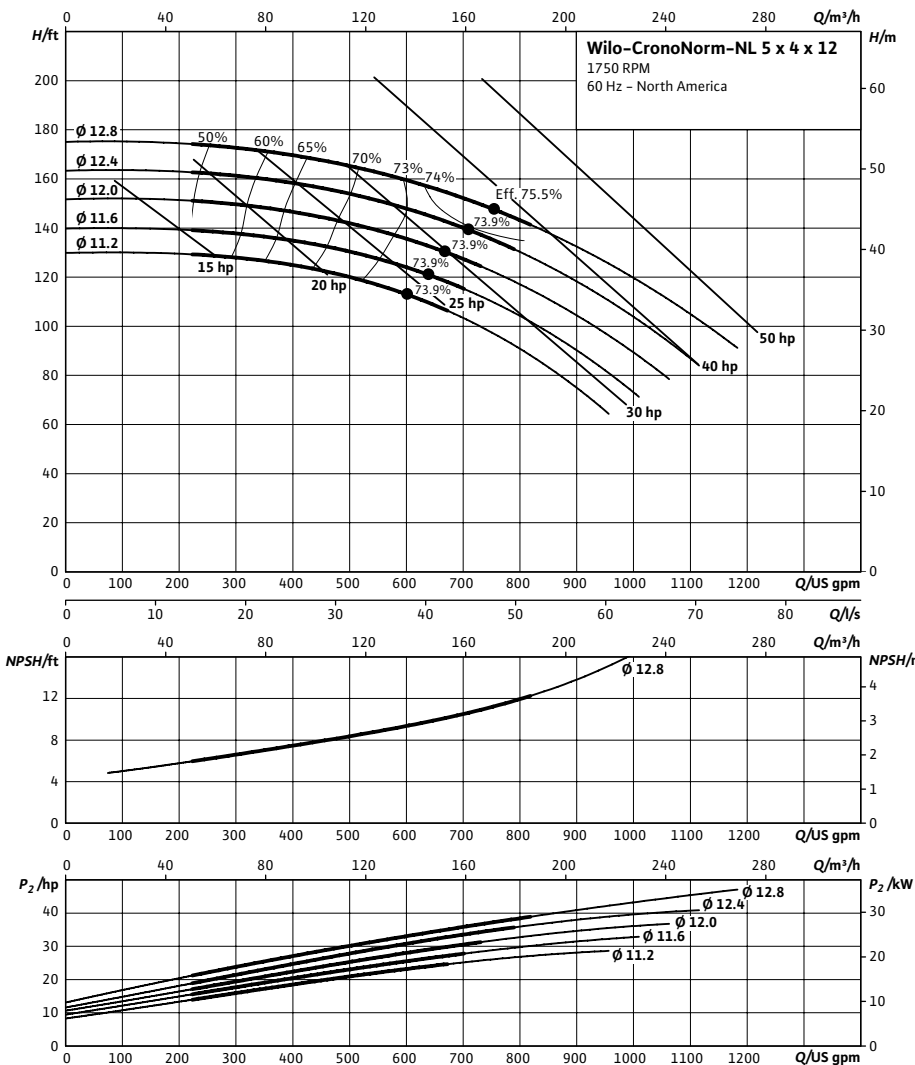


NL 5 x 4 x 12



Project:	
Engineer:	
Contractor:	
Submitted By:	Date:
Approved By:	Date:

Tag #	Model #	Flow (USGPM)	Head (Feet)	HP	Enclosure TEFC/ODP	Frame	Cycle	Phase	Voltage	RPM
	NL 5 x 4 x 12						60Hz	3		1750



Technical Data

PEI	
0.85	
Approved Fluids	
Heating Water	
Cooling and cold water	
Water-Glycol mixtures (for 20-40% glycol and fluid temp ≤ 104°F (40°C))	
Fluid Temperature	
Mechanical Seal	18°F to 250°F (-8°C to 120°C)
Stuffing Box Packing	32°F to 220°F (0°C to 105°C)

Materials of Construction

<input type="checkbox"/> Pump Housing	C.I. FG260
<input type="checkbox"/> Impeller	Bronze LG2
<input type="checkbox"/> Impeller (optional)	C.I. FG260
<input type="checkbox"/> Pump Shaft	SS AISI 420
<input type="checkbox"/> Mechanical Seal	Carbon/silicon carbide/EPDM (E1)
<input type="checkbox"/> Other Mechanical Seals	Avail. on request
<input type="checkbox"/> Additional Spacer Coupling	Avail. on request
<input type="checkbox"/> Other:	

Approval Stamp

Submittal Data Sheet

Wilo NL – Base Mounted End Suction Pumps



Dimensions & Weights

Wilo NL



NL 5 x 4 x 12

Dimensions – Inches (mm)

Frame	a	A	L	L1	L2	L3	L4	L5	X	HD	H2	H3	H4	Hb	B2	B3	B4	n	S1	S4
286T	5.50 (140)	3.75 (95)	50.94 (1394)	51.44 (1307)	9.81 (249)	31.75 (806)	53.19 (1351)	26.44 (672)	.5 (13)	13.63 (346)	12.38 (314)	13.81 (351)	26.25 (642)	4.00 (102)	18.94 (481)	17.50 (445)	15.75 (400)	4	11.56 (294)	.63 (16)
324T	5.50 (140)	3.75 (95)	53.94 (1370)	51.44 (1307)	9.81 (249)	31.75 (806)	53.19 (1351)	29.44 (748)	.5 (13)	15.56 (395)	12.38 (314)	13.81 (351)	26.25 (642)	4.00 (102)	18.94 (481)	17.50 (445)	15.75 (400)	4	11.56 (294)	.63 (16)
326T	5.50 (140)	3.75 (95)	53.94 (1370)	51.44 (1307)	9.81 (249)	31.75 (806)	53.19 (1351)	29.44 (748)	.5 (13)	15.56 (395)	12.38 (314)	13.81 (351)	26.25 (642)	4.00 (102)	18.94 (481)	17.50 (445)	15.75 (400)	4	11.56 (294)	.63 (16)
364T	5.50 (140)	3.75 (95)	58.25 (1480)	51.44 (1307)	9.81 (249)	31.75 (806)	53.19 (1351)	33.75 (857)	.5 (13)	21.75 (552)	12.38 (314)	13.81 (351)	26.25 (642)	4.00 (102)	18.94 (481)	17.50 (445)	15.75 (400)	4	11.56 (294)	.63 (16)
365T	5.50 (140)	3.75 (95)	58.25 (1480)	51.44 (1307)	9.81 (249)	31.75 (806)	53.19 (1351)	33.75 (857)	.5 (13)	21.75 (552)	12.38 (314)	13.81 (351)	26.25 (642)	4.00 (102)	18.94 (481)	17.50 (445)	15.75 (400)	4	11.56 (294)	.63 (16)
364TS	5.50 (140)	3.75 (95)	53.06 (1347)	51.44 (1307)	9.81 (249)	31.75 (806)	53.19 (1351)	28.56 (725)	.5 (13)	16.56 (421)	12.38 (314)	13.81 (351)	26.25 (642)	4.00 (102)	18.94 (481)	17.50 (445)	15.75 (400)	4	11.56 (294)	.63 (16)
365TS	5.50 (140)	3.75 (95)	53.06 (1347)	51.44 (1307)	9.81 (249)	31.75 (806)	53.19 (1351)	28.56 (725)	.5 (13)	16.56 (421)	12.38 (314)	13.81 (351)	26.25 (642)	4.00 (102)	18.94 (481)	17.50 (445)	15.75 (400)	4	11.56 (294)	.63 (16)
404T	5.50 (140)	4.56 (116)	62.50 (1588)	55.88 (1419)	9.81 (249)	36.25 (921)	56.88 (1445)	38.00 (965)	.5 (13)	18.44 (468)	12.38 (314)	14.00 (356)	26.38 (670)	4.00 (102)	22.06 (560)	20.63 (524)	17.56 (446)	4	10.81 (274)	.63 (16)
405T	5.50 (140)	4.56 (116)	62.50 (1588)	55.88 (1419)	9.81 (249)	36.25 (921)	56.88 (1445)	38.00 (965)	.5 (13)	18.44 (468)	12.38 (314)	14.00 (356)	26.38 (670)	4.00 (102)	22.06 (560)	20.63 (524)	17.56 (446)	4	10.81 (274)	.63 (16)
405TS	5.50 (140)	4.56 (116)	59.13 (1502)	55.88 (1419)	9.81 (249)	36.25 (921)	56.88 (1445)	34.63 (880)	.5 (13)	18.44 (468)	12.38 (314)	14.00 (356)	26.38 (670)	4.00 (102)	22.06 (560)	20.63 (524)	17.56 (446)	4	10.81 (274)	.63 (16)

Flange Dimensions – Suction Side

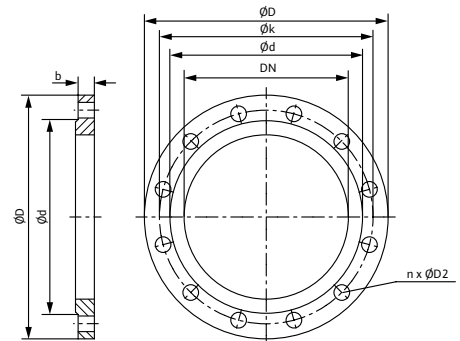
Dimensions – Inches (mm)

DN S #125	ØD	Ød	Øk	b	n	D2
5	10.00 (254)	7.31 (186)	8.50 (216)	.94 (24)	8	.88 (22)

Flange Dimensions – Discharge Side

Dimensions – Inches (mm)

DN D 125#	ØD	Ød	Øk	b	n	D2
4	9.00 (229)	6.19 (157)	7.50 (191)	.94 (24)	8	.75 (19)

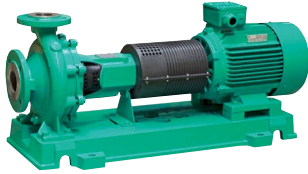


Submittal Data Sheet

Wilco NL - Base Mounted End Suction Pumps

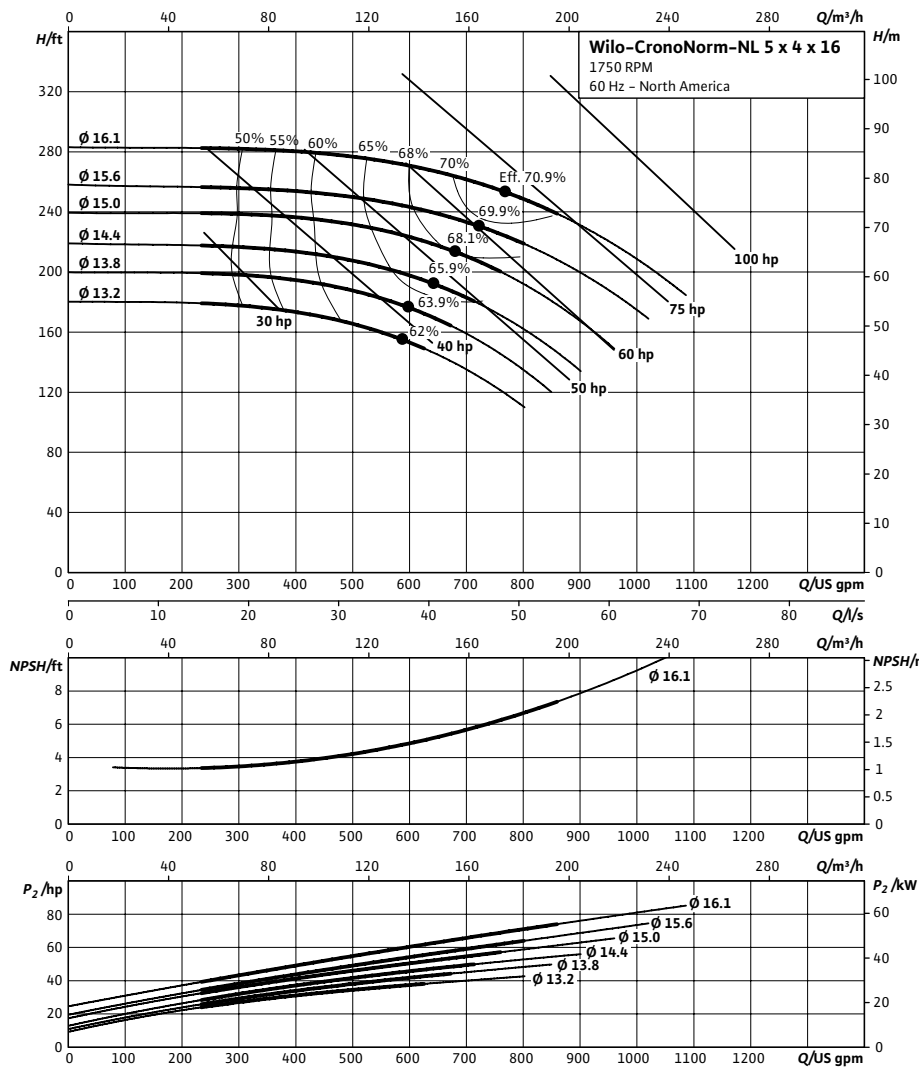


NL 5 x 4 x 16



Project:	
Engineer:	
Contractor:	
Submitted By:	Date:
Approved By:	Date:

Tag #	Model #	Flow (USGPM)	Head (Feet)	HP	Enclosure TEFC/ODP	Frame	Cycle	Phase	Voltage	RPM
	NL 5 x 4 x 16						60Hz	3		1750



Technical Data

PEI	
0.91	
Approved Fluids	
Heating Water	
Cooling and cold water	
Water-Glycol mixtures (for 20-40% glycol and fluid temp ≤ 104°F (40°C))	
Fluid Temperature	
Mechanical Seal	18°F to 250°F (-8°C to 120°C)

Materials of Construction

<input type="checkbox"/>	Pump Housing	C.I. FG260
<input type="checkbox"/>	Impeller	Bronze LG2
<input type="checkbox"/>	Impeller (optional)	C.I. FG260
<input type="checkbox"/>	Pump Shaft	SS AISI 420
<input type="checkbox"/>	Mechanical Seal	Carbon/silicon carbide/EPDM (E1)
<input type="checkbox"/>	Other Mechanical Seals	Avail. on request
<input type="checkbox"/>	Additional Spacer Coupling	Avail. on request
<input type="checkbox"/>	Other:	

Approval Stamp

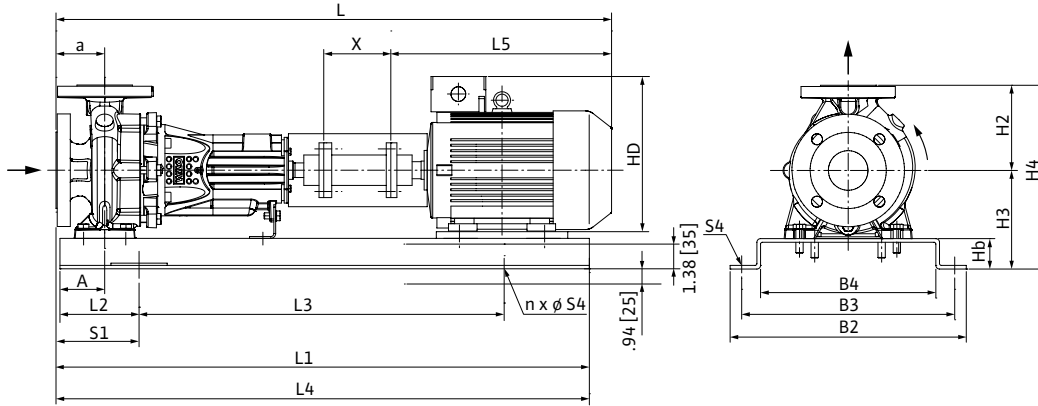
Submittal Data Sheet

Wilo NL – Base Mounted End Suction Pumps



Dimensions & Weights

Wilo NL



NL 5 x 4 x 16

Dimensions – Inches (mm)

Frame	a	A	L	L1	L2	L3	L4	L5	X	HD	H2	H3	H4	Hb	B2	B3	B4	n	S1	S4
286T	5.50 (140)	4.56 (116)	54.63 (1388)	55.88 (1419)	9.81 (249)	36.25 (921)	56.88 (1445)	26.44 (672)	.5 (13)	13.63 (346)	14.00 (356)	15.25 (387)	29.25 (743)	4.00 (102)	22.06 (560)	20.63 (524)	17.56 (446)	4	10.81 (274)	.63 (16)
324T	5.50 (140)	4.56 (116)	57.25 (1454)	55.88 (1419)	9.81 (249)	36.25 (921)	56.88 (1445)	29.44 (748)	.5 (13)	15.56 (395)	14.00 (356)	15.25 (387)	29.25 (743)	4.00 (102)	22.06 (560)	20.63 (524)	17.56 (446)	4	10.81 (274)	.63 (16)
326T	5.50 (140)	4.56 (116)	57.25 (1454)	55.88 (1419)	9.81 (249)	36.25 (921)	56.88 (1445)	29.44 (748)	.5 (13)	15.56 (395)	14.00 (356)	15.25 (387)	29.25 (743)	4.00 (102)	22.06 (560)	20.63 (524)	17.56 (446)	4	10.81 (274)	.63 (16)
364T	5.50 (140)	4.56 (116)	59.88 (1521)	55.88 (1419)	9.81 (249)	36.25 (921)	56.88 (1445)	33.75 (857)	.5 (13)	21.75 (552)	14.00 (356)	15.25 (387)	29.25 (743)	4.00 (102)	22.06 (560)	20.63 (524)	17.56 (446)	4	10.81 (274)	.63 (16)
365T	5.50 (140)	4.56 (116)	59.88 (1521)	55.88 (1419)	9.81 (249)	36.25 (921)	56.88 (1445)	33.75 (857)	.5 (13)	21.75 (552)	14.00 (356)	15.25 (387)	29.25 (743)	4.00 (102)	22.06 (560)	20.63 (524)	17.56 (446)	4	10.81 (274)	.63 (16)
364TS	5.50 (140)	4.56 (116)	55.44 (1408)	55.88 (1419)	9.81 (249)	36.25 (921)	56.88 (1445)	28.56 (725)	.5 (13)	16.56 (421)	14.00 (356)	15.25 (387)	29.25 (743)	4.00 (102)	22.06 (560)	20.63 (524)	17.56 (446)	4	10.81 (274)	.63 (16)
365TS	5.50 (140)	4.56 (116)	55.44 (1408)	55.88 (1419)	9.81 (249)	36.25 (921)	56.88 (1445)	28.56 (725)	.5 (13)	16.56 (421)	14.00 (356)	15.25 (387)	29.25 (743)	4.00 (102)	22.06 (560)	20.63 (524)	17.56 (446)	4	10.81 (274)	.63 (16)
404T	5.50 (140)	4.56 (116)	64.88 (1648)	55.88 (1419)	9.81 (249)	36.25 (921)	56.88 (1445)	38.00 (965)	.5 (13)	18.44 (468)	14.00 (356)	15.25 (387)	29.25 (743)	4.00 (102)	22.06 (560)	20.63 (524)	17.56 (446)	4	10.81 (274)	.63 (16)
405TS	5.50 (140)	4.56 (116)	51.13 (1553)	55.88 (1419)	9.81 (249)	36.25 (921)	56.88 (1445)	34.63 (880)	.5 (13)	18.44 (468)	14.00 (356)	15.25 (387)	29.25 (743)	4.00 (102)	22.06 (560)	20.63 (524)	17.56 (446)	4	10.81 (274)	.63 (16)

Flange Dimensions – Suction Side

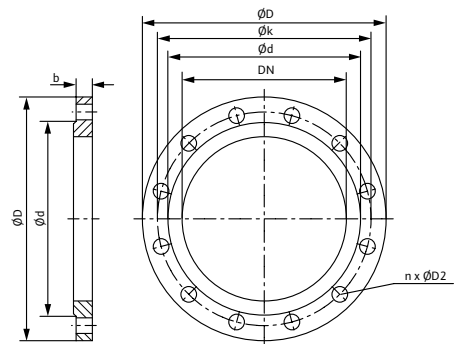
Dimensions – Inches (mm)

DN S #125	ØD	Ød	Øk	b	n	D2
5	10.00 (254)	7.31 (186)	8.50 (216)	.94 (24)	8	.88 (22)

Flange Dimensions – Discharge Side

Dimensions – Inches (mm)

DN D 125#	ØD	Ød	Øk	b	n	D2
4	9.00 (229)	6.19 (157)	7.50 (191)	.94 (24)	8	.75 (19)



Submittal Data Sheet

Wilco NL - Base Mounted End Suction Pumps

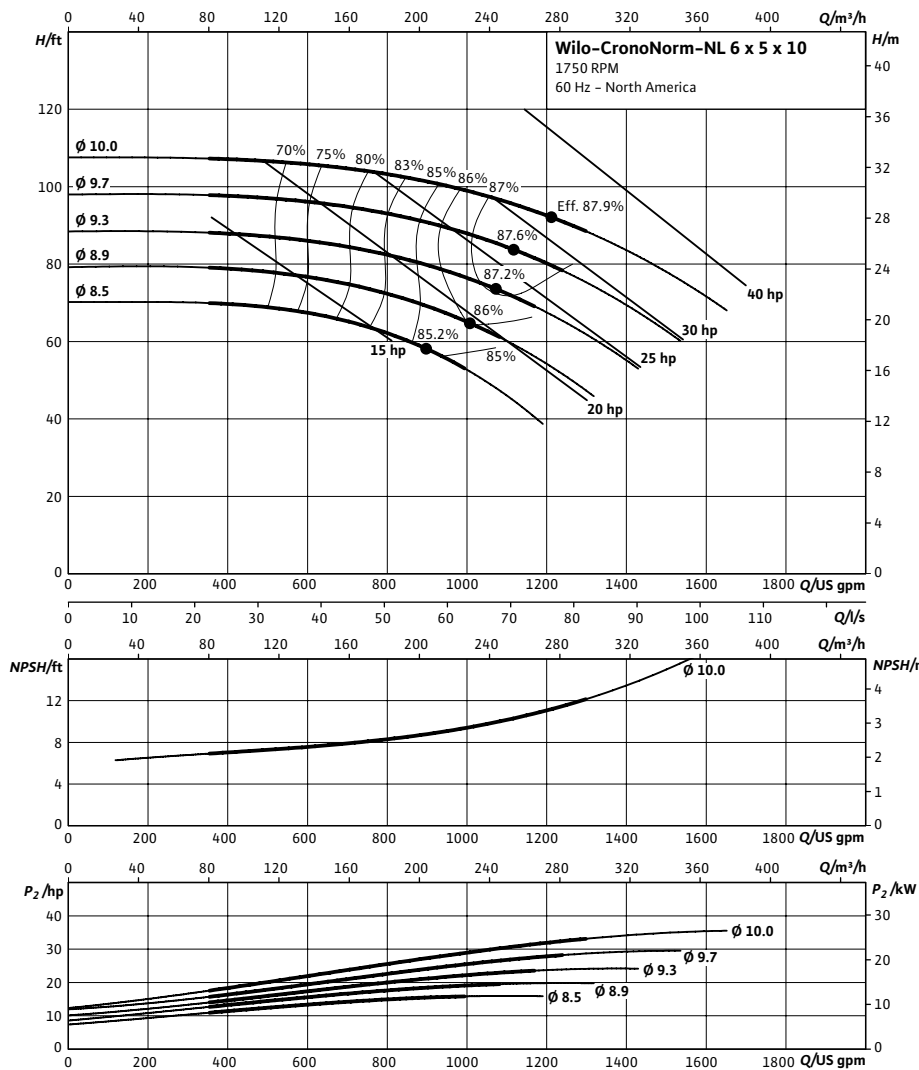


NL 6 x 5 x 10



Project:	
Engineer:	
Contractor:	
Submitted By:	Date:
Approved By:	Date:

Tag #	Model #	Flow (USGPM)	Head (Feet)	HP	Enclosure TEFC/ODP	Frame	Cycle	Phase	Voltage	RPM
	NL 6 x 5 x 10						60Hz	3		1750



Technical Data

PEI	
0.92	
Approved Fluids	
Heating Water	
Cooling and cold water	
Water-Glycol mixtures (for 20-40% glycol and fluid temp ≤ 104°F (40°C))	
Fluid Temperature	
Mechanical Seal	18°F to 250°F (-8°C to 120°C)
Stuffing Box Packing	32°F to 220°F (0°C to 105°C)

Materials of Construction

<input type="checkbox"/> Pump Housing	C.I. FG260
<input type="checkbox"/> Impeller	Bronze LG2
<input type="checkbox"/> Impeller (optional)	C.I. FG260
<input type="checkbox"/> Pump Shaft	SS AISI 420
<input type="checkbox"/> Mechanical Seal	Carbon/silicon carbide/EPDM (E1)
<input type="checkbox"/> Other Mechanical Seals	Avail. on request
<input type="checkbox"/> Additional Spacer Coupling	Avail. on request
<input type="checkbox"/> Other:	

Approval Stamp

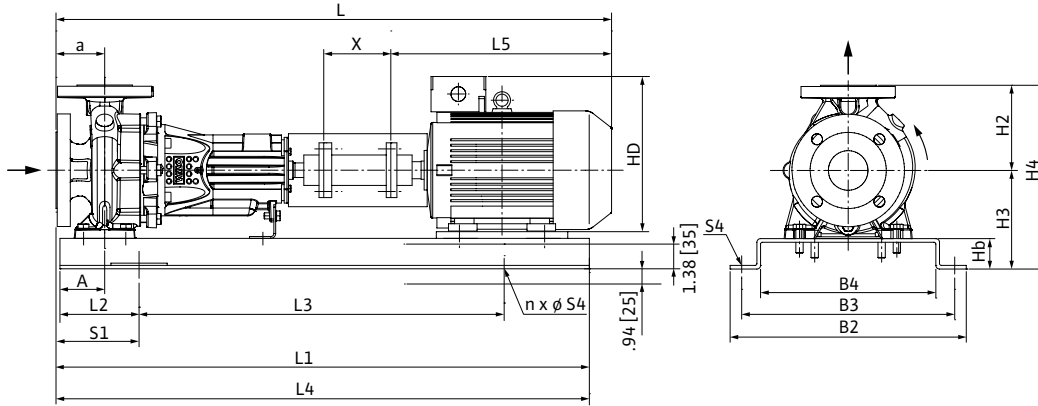
Submittal Data Sheet

Wilo NL – Base Mounted End Suction Pumps



Dimensions & Weights

Wilo NL



NL 6 x 5 x 10

Dimensions – Inches (mm)

Frame	a	A	L	L1	L2	L3	L4	L5	X	HD	H2	H3	H4	Hb	B2	B3	B4	n	S1	S4
254T	5.50 (140)	3.75 (95)	47.50 (1207)	51.44 (1307)	9.81 (249)	31.75 (806)	53.19 (1351)	23.13 (588)	.5 (13)	12.00 (305)	14.00 (356)	13.81 (351)	27.81 (706)	4.00 (102)	18.94 (481)	17.50 (445)	15.75 (400)	4	11.56 (294)	.63 (16)
256T	5.50 (140)	3.75 (95)	47.50 (1207)	51.44 (1307)	9.81 (249)	31.75 (806)	53.19 (1351)	23.13 (588)	.5 (13)	12.00 (305)	14.00 (356)	13.81 (351)	27.81 (706)	4.00 (102)	18.94 (481)	17.50 (445)	15.75 (400)	4	11.56 (294)	.63 (16)
284T	5.50 (140)	3.75 (95)	50.94 (1394)	51.44 (1307)	9.81 (249)	31.75 (806)	53.19 (1351)	26.44 (672)	.5 (13)	13.63 (346)	14.00 (356)	13.81 (351)	27.81 (706)	4.00 (102)	18.94 (481)	17.50 (445)	15.75 (400)	4	11.56 (294)	.63 (16)
286T	5.50 (140)	3.75 (95)	50.94 (1394)	51.44 (1307)	9.81 (249)	31.75 (806)	53.19 (1351)	26.44 (672)	.5 (13)	13.63 (346)	14.00 (356)	13.81 (351)	27.81 (706)	4.00 (102)	18.94 (481)	17.50 (445)	15.75 (400)	4	11.56 (294)	.63 (16)
324T	5.50 (140)	3.75 (95)	53.94 (1370)	51.44 (1307)	9.81 (249)	31.75 (806)	53.19 (1351)	29.44 (748)	.5 (13)	15.63 (397)	14.00 (356)	13.81 (351)	27.81 (706)	4.00 (102)	18.94 (481)	17.50 (445)	15.75 (400)	4	11.56 (294)	.63 (16)

Flange Dimensions – Suction Side

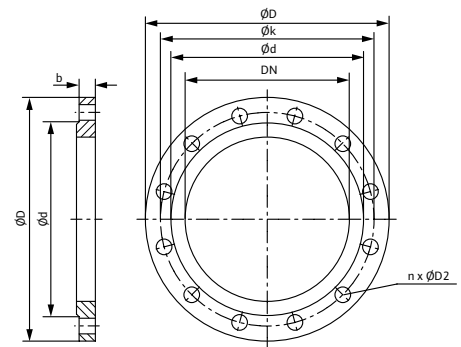
Dimensions – Inches (mm)

DN S #125	ØD	Ød	Øk	b	n	D2
6	11.00 (279)	8.50 (516)	9.50 (241)	1.00 (25)	8	.88 (22)

Flange Dimensions – Discharge Side

Dimensions – Inches (mm)

DN D 125#	ØD	Ød	Øk	b	n	D2
5	10.00 (254)	7.31 (186)	8.50 (216)	.94 (24)	8	.88 (22)

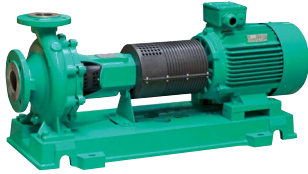


Submittal Data Sheet

Wilo NL - Base Mounted End Suction Pumps

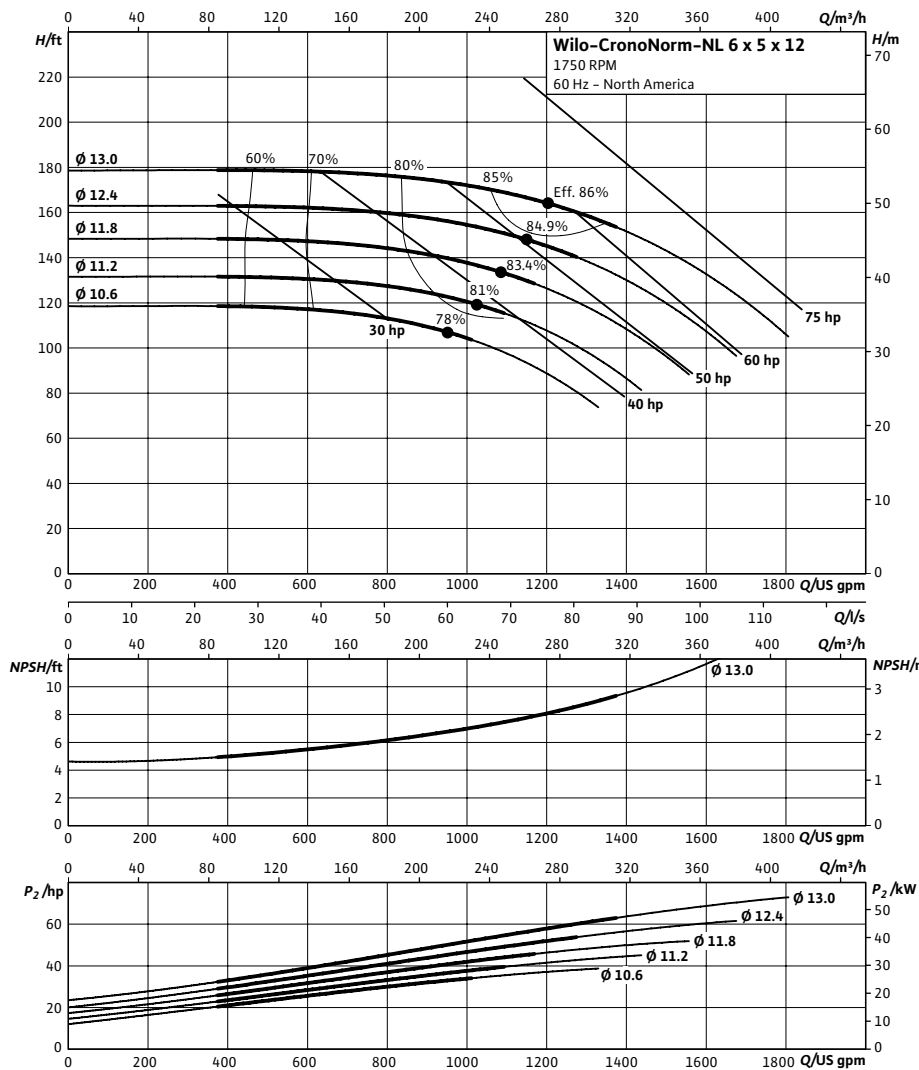


NL 6 x 5 x 12



Project:	
Engineer:	
Contractor:	
Submitted By:	Date:
Approved By:	Date:

Tag #	Model #	Flow (USGPM)	Head (Feet)	HP	Enclosure TEFC/ODP	Frame	Cycle	Phase	Voltage	RPM
	NL 6 x 5 x 12						60Hz	3		1750



Technical Data

PEI	
0.91	
Approved Fluids	
Heating Water	
Cooling and cold water	
Water-Glycol mixtures (for 20-40% glycol and fluid temp \leq 104°F (40°C))	
Fluid Temperature	
Mechanical Seal	18°F to 250°F (-8°C to 120°C)
Stuffing Box Packing	32°F to 220°F (0°C to 105°C)

Materials of Construction

<input type="checkbox"/> Pump Housing	C.I. FG260
<input type="checkbox"/> Impeller	Bronze LG2
<input type="checkbox"/> Impeller (optional)	C.I. FG260
<input type="checkbox"/> Pump Shaft	SS AISI 420
<input type="checkbox"/> Mechanical Seal	Carbon/silicon carbide/EPDM (E1)
<input type="checkbox"/> Other Mechanical Seals	Avail. on request
<input type="checkbox"/> Additional Spacer Coupling	Avail. on request
<input type="checkbox"/> Other:	

Approval Stamp

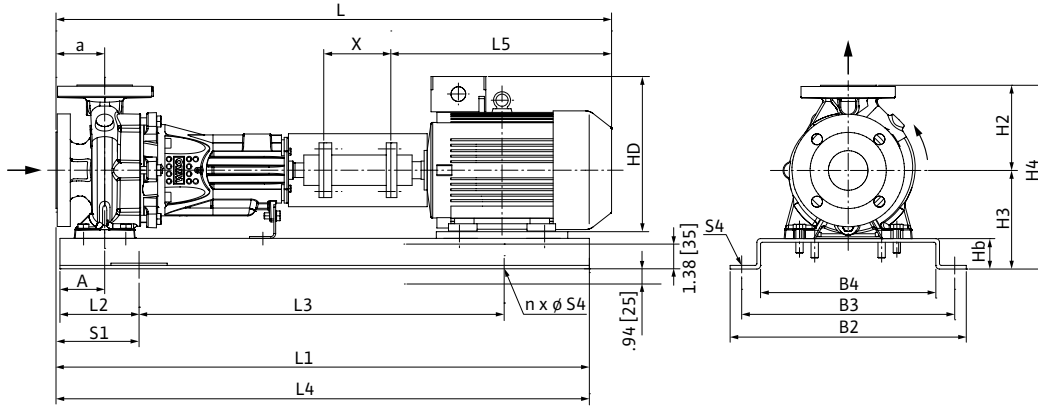
Submittal Data Sheet

Wilo NL – Base Mounted End Suction Pumps



Dimensions & Weights

Wilo NL



NL 6 x 5 x 12

Dimensions – Inches (mm)

Frame	a	A	L	L1	L2	L3	L4	L5	X	HD	H2	H3	H4	Hb	B2	B3	B4	n	S1	S4
286T	5.50 (140)	4.56 (116)	53.31 (1354)	55.88 (1419)	9.81 (249)	36.25 (921)	56.88 (1445)	26.44 (672)	.5 (13)	13.63 (346)	14.00 (356)	15.00 (381)	29.00 (737)	4.00 (102)	22.06 (560)	20.63 (524)	17.56 (446)	4	10.81 (275)	.63 (16)
324T	5.50 (140)	4.56 (116)	56.31 (1430)	55.88 (1419)	9.81 (249)	36.25 (921)	56.88 (1445)	29.44 (748)	.5 (13)	15.63 (397)	14.00 (356)	15.00 (381)	29.00 (737)	4.00 (102)	22.06 (560)	20.63 (524)	17.56 (446)	4	10.81 (275)	.63 (16)
326T	5.50 (140)	4.56 (116)	56.31 (1430)	55.88 (1419)	9.81 (249)	36.25 (921)	56.88 (1445)	29.44 (748)	.5 (13)	15.63 (397)	14.00 (356)	15.00 (381)	29.00 (737)	4.00 (102)	22.06 (560)	20.63 (524)	17.56 (446)	4	10.81 (275)	.63 (16)
364T	5.50 (140)	4.56 (116)	60.63 (1540)	55.88 (1419)	9.81 (249)	36.25 (921)	56.88 (1445)	33.75 (857)	.5 (13)	21.75 (552)	14.00 (356)	15.00 (381)	29.00 (737)	4.00 (102)	22.06 (560)	20.63 (524)	17.56 (446)	4	10.81 (275)	.63 (16)
365T	5.50 (140)	4.56 (116)	60.63 (1540)	55.88 (1419)	9.81 (249)	36.25 (921)	56.88 (1445)	33.75 (857)	.5 (13)	21.75 (552)	14.00 (356)	15.00 (381)	29.00 (737)	4.00 (102)	22.06 (560)	20.63 (524)	17.56 (446)	4	10.81 (275)	.63 (16)
364TS	5.50 (140)	4.56 (116)	55.44 (1408)	55.88 (1419)	9.81 (249)	36.25 (921)	56.88 (1445)	28.56 (725)	.5 (13)	16.56 (421)	14.00 (356)	15.00 (381)	29.00 (737)	4.00 (102)	22.06 (560)	20.63 (524)	17.56 (446)	4	10.81 (275)	.63 (16)
365TS	5.50 (140)	4.56 (116)	55.44 (1408)	55.88 (1419)	9.81 (249)	36.25 (921)	56.88 (1445)	28.56 (725)	.5 (13)	16.56 (421)	14.00 (356)	15.00 (381)	29.00 (737)	4.00 (102)	22.06 (560)	20.63 (524)	17.56 (446)	4	10.81 (275)	.63 (16)

Flange Dimensions – Suction Side

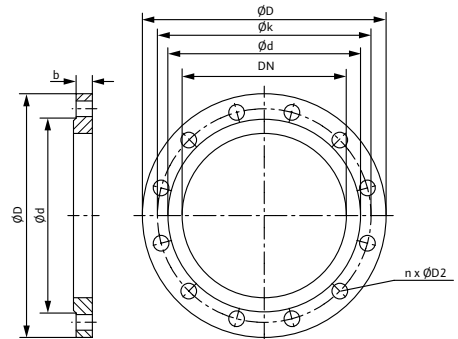
Dimensions – Inches (mm)

DN S #125	ØD	Ød	Øk	b	n	D2
6	11.00 (279)	8.50 (516)	9.50 (241)	1.00 (25)	8	.88 (22)

Flange Dimensions – Discharge Side

Dimensions – Inches (mm)

DND 125#	ØD	Ød	Øk	b	n	D2
5	10.00 (254)	7.31 (186)	8.50 (216)	.94 (24)	8	.88 (22)



Submittal Data Sheet

Wilo NL - Base Mounted End Suction Pumps

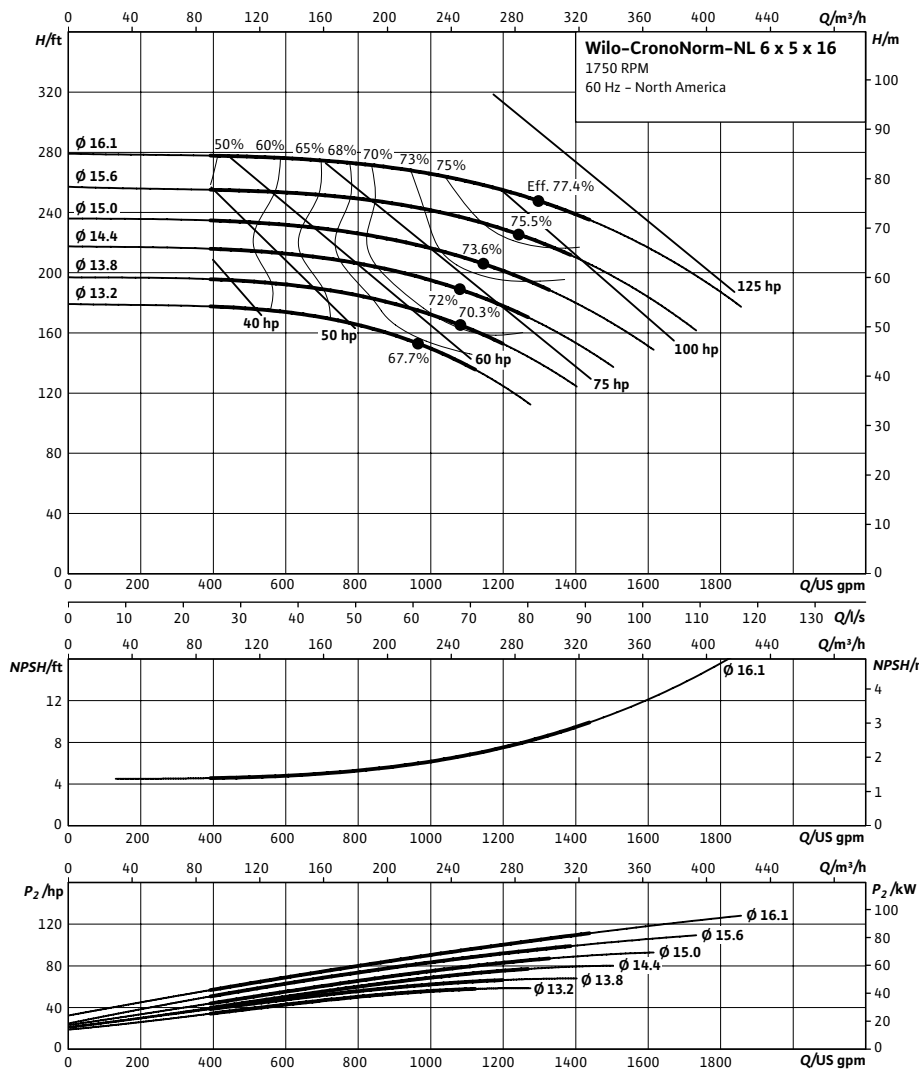


NL 6 x 5 x 16



Project:	
Engineer:	
Contractor:	
Submitted By:	Date:
Approved By:	Date:

Tag #	Model #	Flow (USGPM)	Head (Feet)	HP	Enclosure TEFC/ODP	Frame	Cycle	Phase	Voltage	RPM
	NL 6 x 5 x 16						60Hz	3		1750



Technical Data

PEI	
0.98	
Approved Fluids	
Heating Water	
Cooling and cold water	
Water-Glycol mixtures (for 20-40% glycol and fluid temp ≤ 104°F (40°C))	
Fluid Temperature	
Mechanical Seal	18°F to 250°F (-8°C to 120°C)
Stuffing Box Packing	32°F to 220°F (0°C to 105°C)

Materials of Construction

<input type="checkbox"/> Pump Housing	C.I. FG260
<input type="checkbox"/> Impeller	Bronze LG2
<input type="checkbox"/> Impeller (optional)	C.I. FG260
<input type="checkbox"/> Pump Shaft	SS AISI 420
<input type="checkbox"/> Mechanical Seal	Carbon/silicon carbide/EPDM (E1)
<input type="checkbox"/> Other Mechanical Seals	Avail. on request
<input type="checkbox"/> Additional Spacer Coupling	Avail. on request
<input type="checkbox"/> Other:	

Approval Stamp

Submittal Data Sheet

Wilco NL - Base Mounted End Suction Pumps



Dimensions & Weights

Wilco NL



NL 6 x 5 x 16

Dimensions - Inches (mm)

Frame	a	A	L	L1	L2	L3	L4	L5	X	HD	H2	H3	H4	Hb	B2	B3	B4	n	S1	S4
324T	5.50 (140)	4.56 (116)	56.31 (1430)	55.88 (1419)	9.81 (249)	36.25 (921)	56.88 (1445)	29.44 (748)	.5 (13)	15.63 (397)	15.75 (400)	16.69 (424)	32.44 (824)	4.25 (108)	22.06 (560)	20.63 (524)	17.56 (446)	4	10.81 (275)	.63 (16)
326T	5.50 (140)	4.56 (116)	56.31 (1430)	55.88 (1419)	9.81 (249)	36.25 (921)	56.88 (1445)	29.44 (748)	.5 (13)	15.63 (397)	15.75 (400)	16.69 (424)	32.44 (824)	4.25 (108)	22.06 (560)	20.63 (524)	17.56 (446)	4	10.81 (275)	.63 (16)
364T	5.50 (140)	4.56 (116)	60.63 (1540)	55.88 (1419)	9.81 (249)	36.25 (921)	56.88 (1445)	33.75 (857)	.5 (13)	21.75 (552)	15.75 (400)	16.69 (424)	32.44 (824)	4.25 (108)	22.06 (560)	20.63 (524)	17.56 (446)	4	10.81 (275)	.63 (16)
365T	5.50 (140)	4.56 (116)	60.63 (1540)	55.88 (1419)	9.81 (249)	36.25 (921)	56.88 (1445)	33.75 (857)	.5 (13)	21.75 (552)	15.75 (400)	16.69 (424)	32.44 (824)	4.25 (108)	22.06 (560)	20.63 (524)	17.56 (446)	4	10.81 (275)	.63 (16)
364TS	5.50 (140)	4.56 (116)	55.44 (1408)	55.88 (1419)	9.81 (249)	36.25 (921)	56.88 (1445)	28.56 (725)	.5 (13)	16.56 (421)	15.75 (400)	16.69 (424)	32.44 (824)	4.25 (108)	22.06 (560)	20.63 (524)	17.56 (446)	4	10.81 (275)	.63 (16)
365TS	5.50 (140)	4.56 (116)	55.44 (1408)	55.88 (1419)	9.81 (249)	36.25 (921)	56.88 (1445)	28.56 (725)	.5 (13)	16.56 (421)	15.75 (400)	16.69 (424)	32.44 (824)	4.25 (108)	22.06 (560)	20.63 (524)	17.56 (446)	4	10.81 (275)	.63 (16)
404T	5.50 (140)	4.56 (116)	64.88 (1648)	55.88 (1419)	9.81 (249)	36.25 (921)	56.88 (1445)	38.00 (965)	.5 (13)	22.94 (583)	15.75 (400)	16.69 (424)	32.44 (824)	4.25 (108)	22.06 (560)	20.63 (524)	17.56 (446)	4	10.81 (275)	.63 (16)
405TS	5.50 (140)	4.56 (116)	61.13 (1553)	64.94 (1649)	11.81 (300)	41.38 (1051)	65.94 (1675)	34.25 (870)	.5 (13)	18.44 (468)	15.75 (400)	16.69 (424)	32.44 (824)	4.25 (108)	22.06 (560)	20.63 (524)	17.56 (446)	4	10.81 (275)	.63 (16)
444TS	5.50 (140)	4.56 (116)	67.38 (1709)	64.94 (1649)	11.81 (300)	41.38 (1051)	65.94 (1675)	40.50 (1029)	.5 (13)	25.50 (648)	15.75 (400)	16.69 (424)	32.44 (824)	4.25 (108)	24.44 (621)	23.00 (584)	21.25 (540)	4	12.75 (324)	.63 (16)
445TS	5.50 (140)	4.56 (116)	67.38 (1709)	64.94 (1649)	11.81 (300)	41.38 (1051)	65.94 (1675)	40.50 (1029)	.5 (13)	25.50 (648)	15.75 (400)	16.69 (424)	32.44 (824)	4.25 (108)	24.44 (621)	23.00 (584)	21.25 (540)	4	12.75 (324)	.63 (16)

Flange Dimensions - Suction Side

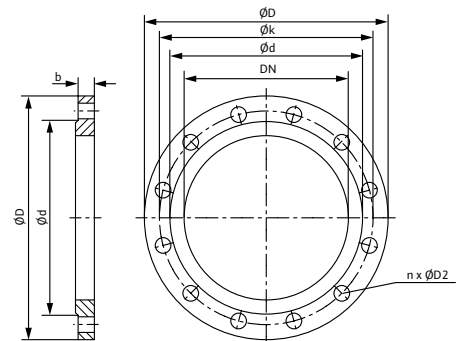
Dimensions - Inches (mm)

DN S #125	ØD	Ød	Øk	b	n	D2
6	11.00 (279)	8.50 (516)	9.50 (241)	1.00 (25)	8	.88 (22)

Flange Dimensions - Discharge Side

Dimensions - Inches (mm)

DN D 125#	ØD	Ød	Øk	b	n	D2
5	10.00 (254)	7.31 (186)	8.50 (216)	.94 (24)	8	.88 (22)

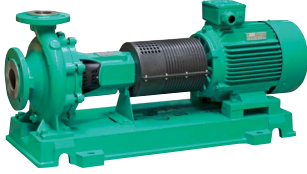


Submittal Data Sheet

Wilo NL - Base Mounted End Suction Pumps

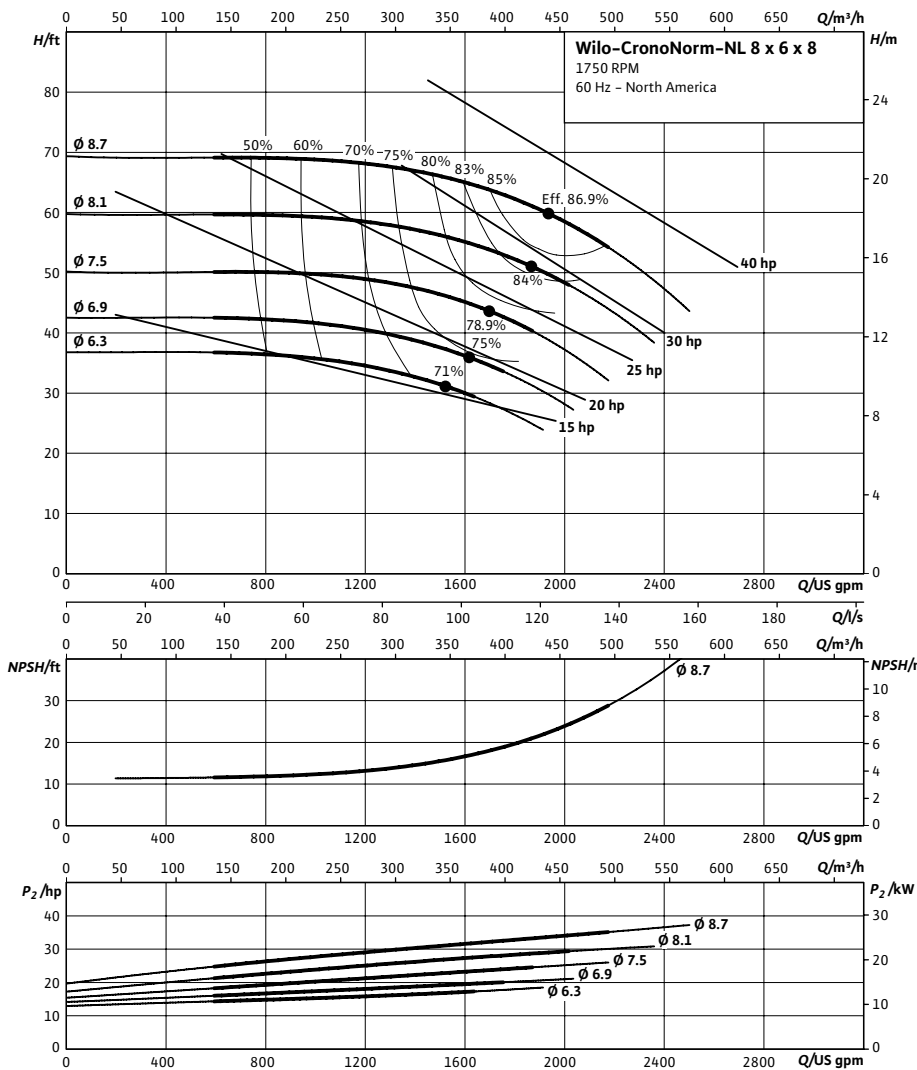


NL 8 x 6 x 8



Project:	
Engineer:	
Contractor:	
Submitted By:	Date:
Approved By:	Date:

Tag #	Model #	Flow (USGPM)	Head (Feet)	HP	Enclosure TEFC/ODP	Frame	Cycle	Phase	Voltage	RPM
	NL 8 x 6 x 8						60Hz	3		1750



Technical Data

PEI	
0.94	
Approved Fluids	
Heating Water	
Cooling and cold water	
Water-Glycol mixtures (for 20-40% glycol and fluid temp ≤ 104°F (40°C))	
Fluid Temperature	
Mechanical Seal	18°F to 250°F (-8°C to 120°C)
Stuffing Box Packing	32°F to 220°F (0°C to 105°C)

Materials of Construction

<input type="checkbox"/>	Pump Housing	C.I. FG260
<input type="checkbox"/>	Impeller	Bronze LG2
<input type="checkbox"/>	Impeller (optional)	C.I. FG260
<input type="checkbox"/>	Pump Shaft	SS AISI 420
<input type="checkbox"/>	Mechanical Seal	Carbon/silicon carbide/EPDM (E1)
<input type="checkbox"/>	Other Mechanical Seals	Avail. on request
<input type="checkbox"/>	Additional Spacer Coupling	Avail. on request
<input type="checkbox"/>	Other:	

Approval Stamp

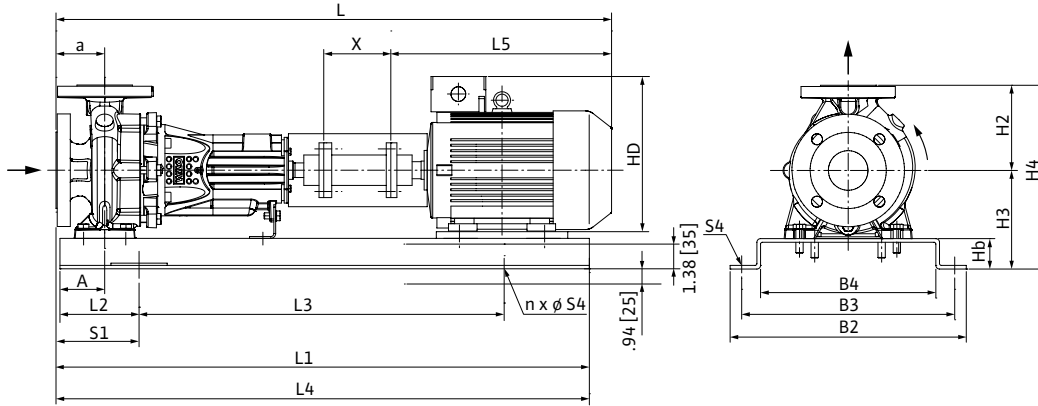
Submittal Data Sheet

Wilo NL - Base Mounted End Suction Pumps



Dimensions & Weights

Wilo NL



NL 8 x 6 x 8

Dimensions - Inches (mm)

Frame	a	A	L	L1	L2	L3	L4	L5	X	HD	H2	H3	H4	Hb	B2	B3	B4	n	S1	S4
254T	6.31 (160)	4.56 (116)	48.50 (1232)	64.94 (1649)	11.81 (300)	41.31 (1049)	66.69 (1694)	23.13 (588)	.5 (13)	12.00 (305)	15.75 (400)	15.00 (381)	30.75 (781)	4.00 (102)	24.44 (621)	23.00 (584)	21.25 (540)	4	13.56 (345)	.63 (16)
256T	6.31 (160)	4.56 (116)	48.50 (1232)	64.94 (1649)	11.81 (300)	41.31 (1049)	66.69 (1694)	23.13 (588)	.5 (13)	12.00 (305)	15.75 (400)	15.00 (381)	30.75 (781)	4.00 (102)	24.44 (621)	23.00 (584)	21.25 (540)	4	13.56 (345)	.63 (16)
284T	6.31 (160)	4.56 (116)	51.75 (1314)	64.94 (1649)	11.81 (300)	41.31 (1049)	66.69 (1694)	26.44 (672)	.5 (13)	13.63 (346)	15.75 (400)	15.00 (381)	30.75 (781)	4.00 (102)	24.44 (621)	23.00 (584)	21.25 (540)	4	13.56 (345)	.63 (16)
286T	6.31 (160)	4.56 (116)	51.75 (1314)	64.94 (1649)	11.81 (300)	41.31 (1049)	66.69 (1694)	26.44 (672)	.5 (13)	13.63 (346)	15.75 (400)	15.00 (381)	30.75 (781)	4.00 (102)	24.44 (621)	23.00 (584)	21.25 (540)	4	13.56 (345)	.63 (16)
324T	6.31 (160)	4.56 (116)	54.75 (1391)	64.94 (1649)	11.81 (300)	41.31 (1049)	66.69 (1694)	29.44 (748)	.5 (13)	15.63 (397)	15.75 (400)	15.00 (381)	30.75 (781)	4.00 (102)	24.44 (621)	23.00 (584)	21.25 (540)	4	13.56 (345)	.63 (16)

Flange Dimensions - Suction Side

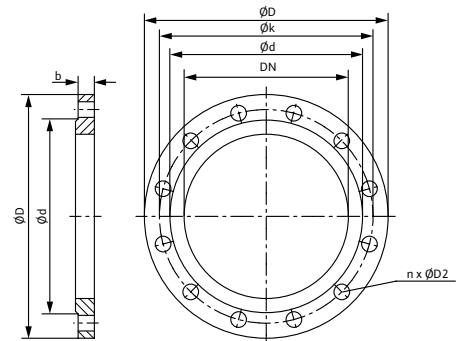
Dimensions - Inches (mm)

DN S #125	ØD	Ød	Øk	b	n	D2
8	13.50 (343)	10.63 (270)	11.75 (299)	1.13 (29)	8	.88 (22)

Flange Dimensions - Discharge Side

Dimensions - Inches (mm)

DN D 125#	ØD	Ød	Øk	b	n	D2
6	11.00 (279)	8.50 (516)	9.50 (241)	1.00 (25)	8	.88 (22)



Submittal Data Sheet

Wilco NL - Base Mounted End Suction Pumps

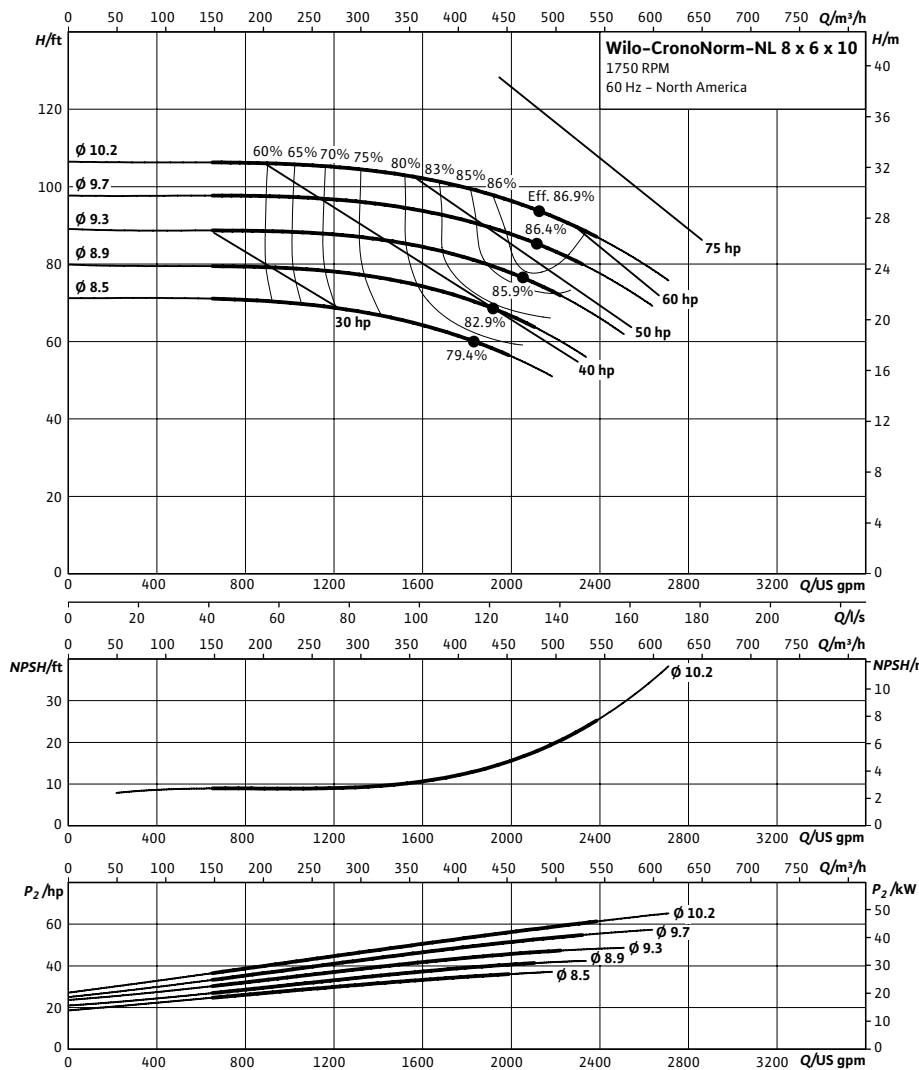


NL 8 x 6 x 10



Project:	
Engineer:	
Contractor:	
Submitted By:	Date:
Approved By:	Date:

Tag #	Model #	Flow (USGPM)	Head (Feet)	HP	Enclosure TEFC/ODP	Frame	Cycle	Phase	Voltage	RPM
	NL 8 x 6 x 10						60Hz	3		1750



Technical Data

PEI	
0.96	
Approved Fluids	
Heating Water	
Cooling and cold water	
Water-Glycol mixtures (for 20-40% glycol and fluid temp \leq 104°F (40°C))	
Fluid Temperature	
Mechanical Seal	18°F to 250°F (-8°C to 120°C)
Stuffing Box Packing	32°F to 220°F (0°C to 105°C)

Materials of Construction

<input type="checkbox"/> Pump Housing	C.I. FG260
<input type="checkbox"/> Impeller	Bronze LG2
<input type="checkbox"/> Impeller (optional)	C.I. FG260
<input type="checkbox"/> Pump Shaft	SS AISI 420
<input type="checkbox"/> Mechanical Seal	Carbon/silicon carbide/EPDM (E1)
<input type="checkbox"/> Other Mechanical Seals	Avail. on request
<input type="checkbox"/> Additional Spacer Coupling	Avail. on request
<input type="checkbox"/> Other:	

Approval Stamp

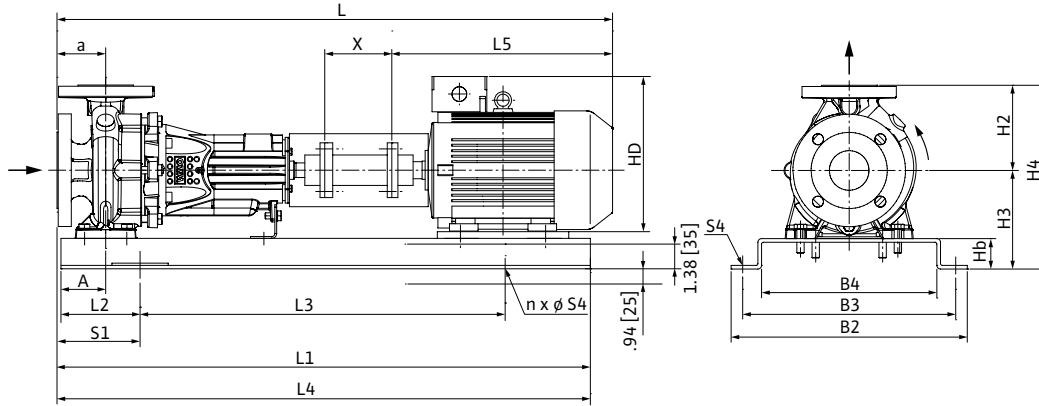
Submittal Data Sheet

Wilo NL – Base Mounted End Suction Pumps



Dimensions & Weights

Wilo NL



NL 8 x 6 x 10

Dimensions – Inches (mm)

Frame	a	A	L	L1	L2	L3	L4	L5	X	HD	H2	H3	H4	Hb	B2	B3	B4	n	S1	S4
286T	6.31 (160)	4.56 (116)	51.75 (1314)	55.88 (1419)	9.81 (249)	36.25 (921)	57.63 (1464)	26.44 (672)	.5 (13)	13.63 (346)	15.75 (400)	15.00 (381)	30.75 (781)	4.00 (102)	22.06 (560)	20.63 (524)	17.56 (446)	4	11.56 (294)	.63 (16)
324T	6.31 (160)	4.56 (116)	53.94 (1370)	55.88 (1419)	9.81 (249)	36.25 (921)	57.63 (1464)	29.44 (748)	.5 (13)	15.63 (397)	15.75 (400)	15.00 (381)	30.75 (781)	4.00 (102)	22.06 (560)	20.63 (524)	17.56 (446)	4	11.56 (294)	.63 (16)
326T	6.31 (160)	4.56 (116)	53.94 (1370)	55.88 (1419)	9.81 (249)	36.25 (921)	57.63 (1464)	29.44 (748)	.5 (13)	15.63 (397)	15.75 (400)	15.00 (381)	30.75 (781)	4.00 (102)	22.06 (560)	20.63 (524)	17.56 (446)	4	11.56 (294)	.63 (16)
364TS	6.31 (160)	4.56 (116)	53.94 (1370)	55.88 (1419)	9.81 (249)	36.25 (921)	57.63 (1464)	30.75 (780)	.5 (13)	16.56 (421)	15.75 (400)	15.00 (381)	30.75 (781)	4.00 (102)	22.06 (560)	20.63 (524)	17.56 (446)	4	11.56 (294)	.63 (16)
365TS	6.31 (160)	4.56 (116)	53.94 (1370)	55.88 (1419)	9.81 (249)	36.25 (921)	57.63 (1464)	30.75 (780)	.5 (13)	16.56 (421)	15.75 (400)	15.00 (381)	30.75 (781)	4.00 (102)	22.06 (560)	20.63 (524)	17.56 (446)	4	11.56 (294)	.63 (16)
364T	6.31 (160)	4.56 (116)	59.00 (1499)	55.88 (1419)	9.81 (249)	36.25 (921)	57.63 (1464)	33.75 (857)	.5 (13)	21.75 (552)	15.75 (400)	15.00 (381)	30.75 (781)	4.00 (102)	22.06 (560)	20.63 (524)	17.56 (446)	4	11.56 (294)	.63 (16)
365T	6.31 (160)	4.56 (116)	59.00 (1499)	55.88 (1419)	9.81 (249)	36.25 (921)	57.63 (1464)	33.75 (857)	.5 (13)	21.75 (552)	15.75 (400)	15.00 (381)	30.75 (781)	4.00 (102)	22.06 (560)	20.63 (524)	17.56 (446)	4	11.56 (294)	.63 (16)

Flange Dimensions – Suction Side

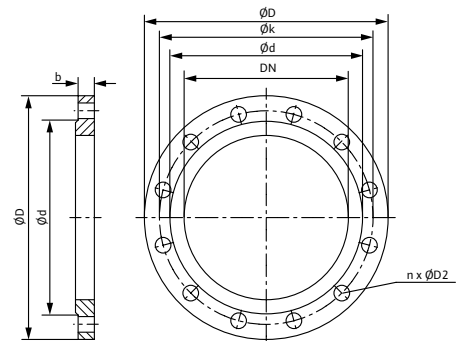
Dimensions – Inches (mm)

DN S #125	ØD	Ød	Øk	b	n	D2
8	13.50 (343)	10.63 (270)	11.75 (299)	1.13 (29)	8	.88 (22)

Flange Dimensions – Discharge Side

Dimensions – Inches (mm)

DN D 125#	ØD	Ød	Øk	b	n	D2
6	11.00 (279)	8.50 (516)	9.50 (241)	1.00 (25)	8	.88 (22)

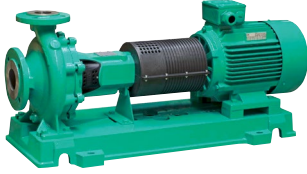


Submittal Data Sheet

Wilo NL - Base Mounted End Suction Pumps

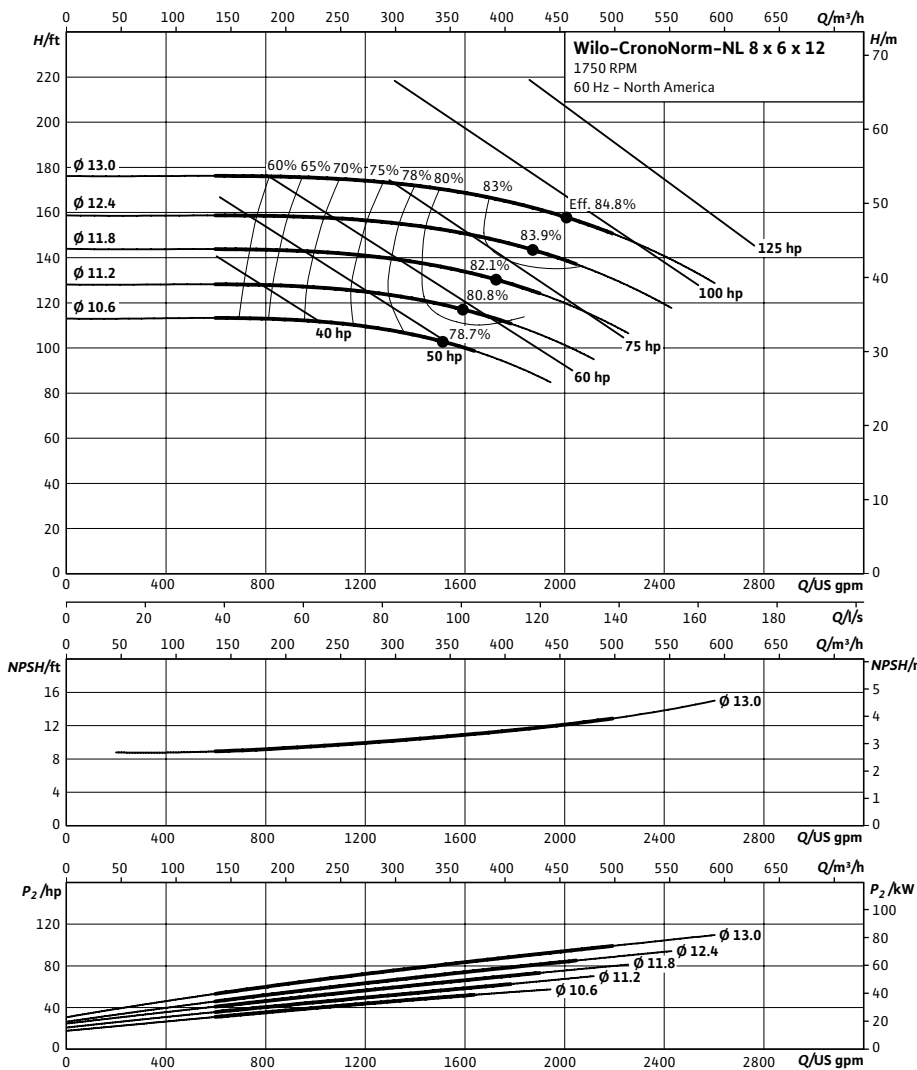


NL 8 x 6 x 12



Project:	
Engineer:	
Contractor:	
Submitted By:	Date:
Approved By:	Date:

Tag #	Model #	Flow (USGPM)	Head (Feet)	HP	Enclosure TEFC/ODP	Frame	Cycle	Phase	Voltage	RPM
	NL 8 x 6 x 12						60Hz	3		1750



Technical Data

PEI	
0.97	
Approved Fluids	
Heating Water	
Cooling and cold water	
Water-Glycol mixtures (for 20-40% glycol and fluid temp ≤ 104°F (40°C))	
Fluid Temperature	
Mechanical Seal	18°F to 250°F (-8°C to 120°C)
Stuffing Box Packing	32°F to 220°F (0°C to 105°C)

Materials of Construction

<input type="checkbox"/> Pump Housing	C.I. FG260
<input type="checkbox"/> Impeller	Bronze LG2
<input type="checkbox"/> Impeller (optional)	C.I. FG260
<input type="checkbox"/> Pump Shaft	SS AISI 420
<input type="checkbox"/> Mechanical Seal	Carbon/silicon carbide/EPDM (E1)
<input type="checkbox"/> Other Mechanical Seals	Avail. on request
<input type="checkbox"/> Additional Spacer Coupling	Avail. on request
<input type="checkbox"/> Other:	

Approval Stamp

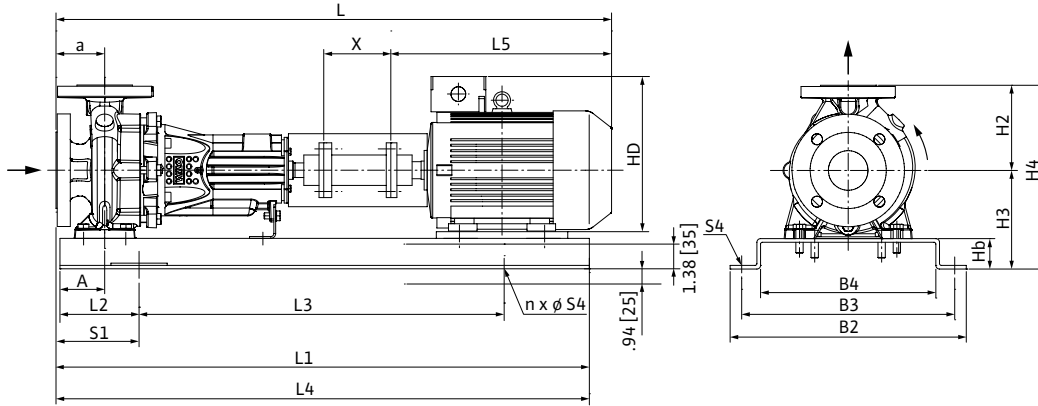
Submittal Data Sheet

Wilo NL – Base Mounted End Suction Pumps



Dimensions & Weights

Wilo NL



NL 8 x 6 x 12

Dimensions – Inches (mm)

Frame	a	A	L	L1	L2	L3	L4	L5	X	HD	H2	H3	H4	Hb	B2	B3	B4	n	S1	S4
326T	6.31 (160)	4.56 (116)	57.13 (1451)	64.94 (1650)	11.81 (300)	41.31 (1049)	66.69 (1694)	29.44 (748)	.5 (13)	15.63 (397)	15.75 (400)	15.00 (381)	30.75 (781)	4.00 (102)	24.44 (621)	23.00 (584)	21.25 (540)	4	13.56 (345)	.63 (16)
364T	6.31 (160)	4.56 (116)	61.38 (1559)	64.94 (1650)	11.81 (300)	41.31 (1049)	66.69 (1694)	33.75 (857)	.5 (13)	21.75 (552)	15.75 (400)	15.00 (381)	30.75 (781)	4.00 (102)	24.44 (621)	23.00 (584)	21.25 (540)	4	13.56 (345)	.63 (16)
365T	6.31 (160)	4.56 (116)	61.38 (1559)	64.94 (1650)	11.81 (300)	41.31 (1049)	66.69 (1694)	33.75 (857)	.5 (13)	21.75 (552)	15.75 (400)	15.00 (381)	30.75 (781)	4.00 (102)	24.44 (621)	23.00 (584)	21.25 (540)	4	13.56 (345)	.63 (16)
364TS	6.31 (160)	4.56 (116)	56.25 (1429)	64.94 (1650)	11.81 (300)	41.31 (1049)	66.69 (1694)	28.56 (725)	.5 (13)	16.56 (421)	15.75 (400)	15.00 (381)	30.75 (781)	4.00 (102)	24.44 (621)	23.00 (584)	21.25 (540)	4	13.56 (345)	.63 (16)
365TS	6.31 (160)	4.56 (116)	56.25 (1429)	64.94 (1650)	11.81 (300)	41.31 (1049)	66.69 (1694)	28.56 (725)	.5 (13)	16.56 (421)	15.75 (400)	15.00 (381)	30.75 (781)	4.00 (102)	24.44 (621)	23.00 (584)	21.25 (540)	4	13.56 (345)	.63 (16)
404T	6.31 (160)	4.56 (116)	62.13 (1578)	64.94 (1650)	11.81 (300)	41.31 (1049)	66.69 (1694)	34.50 (876)	.5 (13)	18.44 (468)	15.75 (400)	15.00 (381)	30.75 (781)	4.00 (102)	24.44 (621)	23.00 (584)	21.25 (540)	4	13.56 (345)	.63 (16)
405T	6.31 (160)	4.56 (116)	62.13 (1578)	64.94 (1650)	11.81 (300)	41.31 (1049)	66.69 (1694)	34.50 (876)	.5 (13)	18.44 (468)	15.75 (400)	15.00 (381)	30.75 (781)	4.00 (102)	24.44 (621)	23.00 (584)	21.25 (540)	4	13.56 (345)	.63 (16)
405TS	6.31 (160)	4.56 (116)	62.25 (1581)	64.94 (1650)	11.81 (300)	41.31 (1049)	66.69 (1694)	34.63 (879)	.5 (13)	18.44 (468)	15.75 (400)	15.00 (381)	30.75 (781)	4.00 (102)	24.44 (621)	23.00 (584)	21.25 (540)	4	13.56 (345)	.63 (16)

Flange Dimensions – Suction Side

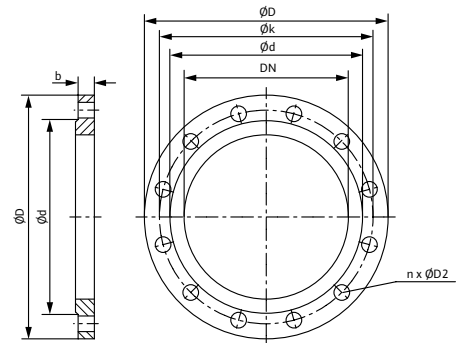
Dimensions – Inches (mm)

DN S #125	ØD	Ød	Øk	b	n	D2
8	13.50 (343)	10.63 (270)	11.75 (299)	1.13 (29)	8	.88 (22)

Flange Dimensions – Discharge Side

Dimensions – Inches (mm)

DN D 125#	ØD	Ød	Øk	b	n	D2
6	11.00 (279)	8.50 (516)	9.50 (241)	1.00 (25)	8	.88 (22)



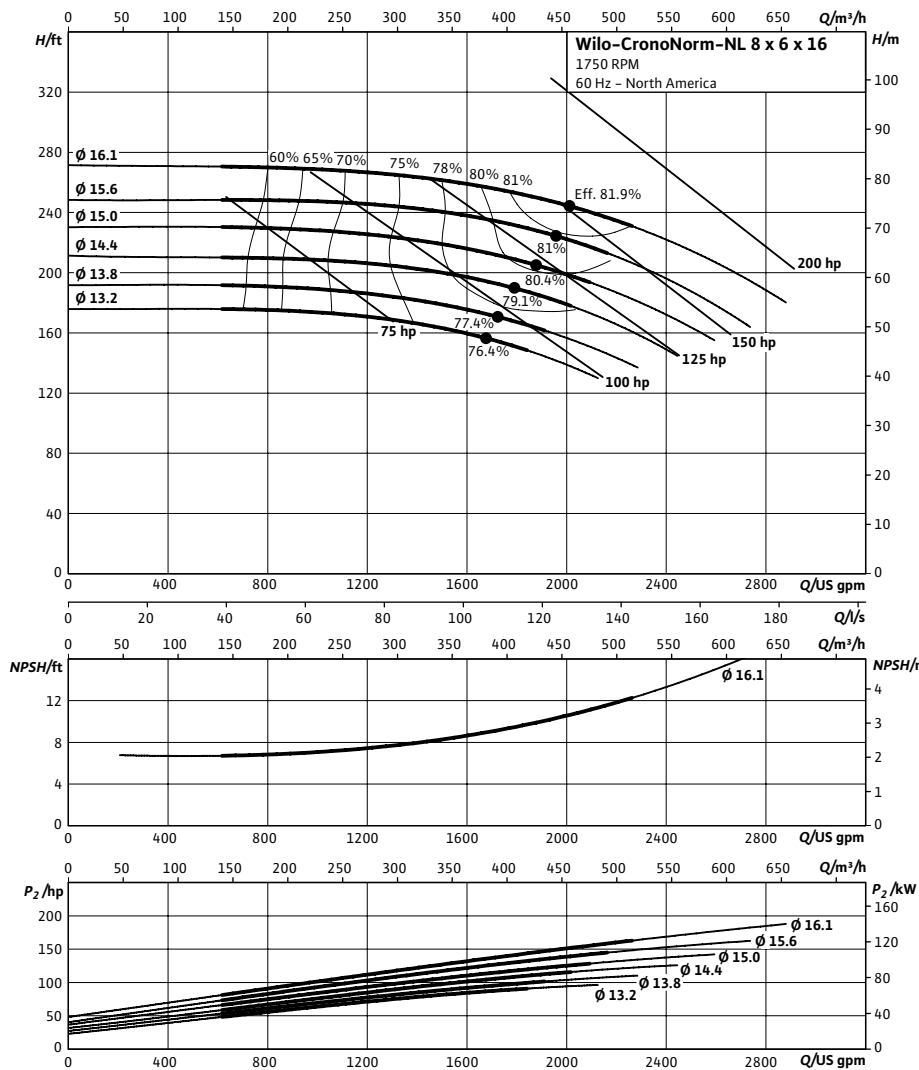
Submittal Data Sheet

Wilo NL - Base Mounted End Suction Pumps



NL 8 x 6 x 16

	Project:									
	Engineer:									
	Contractor:									
	Submitted By:					Date:				
	Approved By:					Date:				
Tag #	Model #	Flow (USGPM)	Head (Feet)	HP	Enclosure TEFC/ODP	Frame	Cycle	Phase	Voltage	RPM
	NL 8 x 6 x 16						60Hz	3		1750



Technical Data

PEI	
0.97	
Approved Fluids	
Heating Water	
Cooling and cold water	
Water-Glycol mixtures (for 20-40% glycol and fluid temp ≤ 104°F (40°C))	
Fluid Temperature	
Mechanical Seal	18°F to 250°F (-8°C to 120°C)
Stuffing Box Packing	32°F to 220°F (0°C to 105°C)

Materials of Construction

<input type="checkbox"/> Pump Housing	C.I. FG260
<input type="checkbox"/> Impeller	Bronze LG2
<input type="checkbox"/> Impeller (optional)	C.I. FG260
<input type="checkbox"/> Pump Shaft	SS AISI 420
<input type="checkbox"/> Mechanical Seal	Carbon/silicon carbide/EPDM (E1)
<input type="checkbox"/> Other Mechanical Seals	Avail. on request
<input type="checkbox"/> Additional Spacer Coupling	Avail. on request
<input type="checkbox"/> Other:	

Approval Stamp

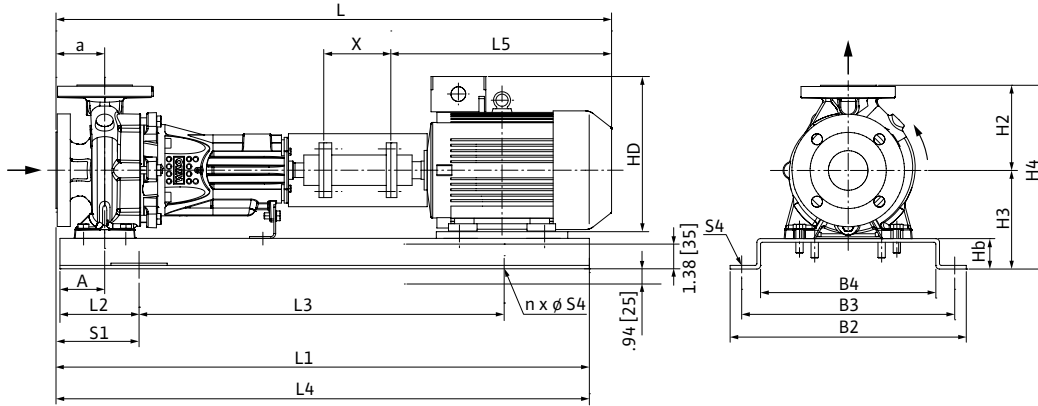
Submittal Data Sheet

Wilo NL – Base Mounted End Suction Pumps



Dimensions & Weights

Wilo NL



NL 8 x 6 x 16

Dimensions – Inches (mm)

Frame	a	A	L	L1	L2	L3	L4	L5	X	HD	H2	H3	H4	Hb	B2	B3	B4	n	S1	S4
365T	6.31 (160)	4.56 (116)	61.38 (1559)	64.94 (1650)	11.81 (300)	41.31 (1049)	66.69 (1694)	33.75 (857)	.5 (13)	21.75 (552)	17.75 (451)	16.69 (424)	34.38 (873)	4.25 (108)	24.38 (619)	23.00 (584)	21.25 (540)	4	13.56 (345)	.63 (16)
365TS	6.31 (160)	4.56 (116)	56.25 (1429)	64.94 (1650)	11.81 (300)	41.31 (1049)	66.69 (1694)	28.56 (725)	.5 (13)	16.56 (421)	17.75 (451)	16.69 (424)	34.38 (873)	4.25 (108)	24.38 (619)	23.00 (584)	21.25 (540)	4	13.56 (345)	.63 (16)
404T	6.31 (160)	4.56 (116)	62.13 (1578)	64.94 (1650)	11.81 (300)	41.31 (1049)	66.69 (1694)	34.50 (876)	.5 (13)	18.44 (468)	17.75 (451)	16.69 (424)	34.38 (873)	4.25 (108)	24.38 (619)	23.00 (584)	21.25 (540)	4	13.56 (345)	.63 (16)
405TS	6.31 (160)	4.56 (116)	62.25 (1581)	64.94 (1650)	11.81 (300)	41.31 (1049)	66.69 (1694)	34.63 (879)	.5 (13)	18.44 (468)	17.75 (451)	16.69 (424)	34.38 (873)	4.25 (108)	24.38 (619)	23.00 (584)	21.25 (540)	4	13.56 (345)	.63 (16)
444TS	6.31 (160)	4.56 (116)	68.19 (1732)	64.94 (1650)	11.81 (300)	41.31 (1049)	66.69 (1694)	40.50 (1029)	.5 (13)	22.94 (583)	17.75 (451)	16.69 (424)	34.38 (873)	4.25 (108)	24.38 (619)	23.00 (584)	21.25 (540)	4	13.56 (345)	.63 (16)
445TS	6.31 (160)	4.56 (116)	68.19 (1732)	64.94 (1650)	11.81 (300)	41.31 (1049)	66.69 (1694)	40.50 (1029)	.5 (13)	22.94 (583)	17.75 (451)	16.69 (424)	34.38 (873)	4.25 (108)	24.38 (619)	23.00 (584)	21.25 (540)	4	13.56 (345)	.63 (16)
445T	6.31 (160)	4.56 (116)	67.31 (1710)	64.94 (1650)	11.81 (300)	41.31 (1049)	66.69 (1694)	39.63 (1007)	.5 (13)	25.75 (654)	17.75 (451)	16.69 (424)	34.38 (873)	4.25 (108)	24.38 (619)	23.00 (584)	21.25 (540)	4	13.56 (345)	.63 (16)

Flange Dimensions – Suction Side

Dimensions – Inches (mm)

DN S #125	ØD	Ød	Øk	b	n	D2
8	13.50 (343)	10.63 (270)	11.75 (299)	1.13 (29)	8	.88 (22)

Flange Dimensions – Discharge Side

Dimensions – Inches (mm)

DN D 125#	ØD	Ød	Øk	b	n	D2
6	11.00 (279)	8.50 (516)	9.50 (241)	1.00 (25)	8	.88 (22)

