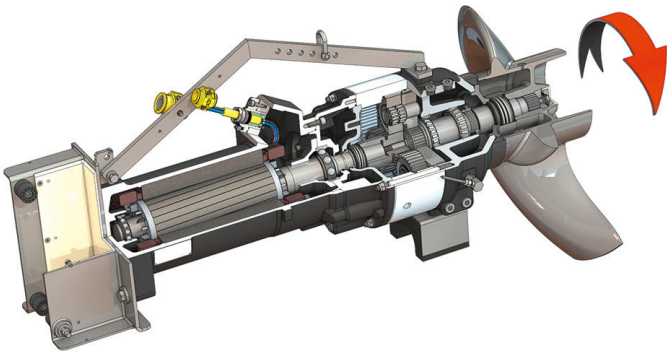


Pioneering for You

Submersible mixer

Flumen OPTI-TR 80-3.29-6/32



Unit

Power consumption at duty point $P_{1,1}$	17.57 hp
Max. thrust F	741.9 lbf
Thrust to power ratio	42 lbf/hp
Max. weight* m	804.7 lb
Explosion protection ATEX ATEX	no
Explosion protection FM FM	optional
Protection class motor	IP68

Propeller

Propeller model	3-blade propeller with self-cleaning hub; clogging- and entwining-free
Propeller speed n	292 RPM
Transmission ratio	4.000

Filling quantities and types

Filling prechamber	Gear oil CLP220
Filling volume prechamber V	0.5 US gal
Filling gear chamber	Gear oil CLP220
Fill volume gear chamber V	0.3 US gal
Filling sealing chamber	White oil
Fill volume sealing chamber V	0.5 US gal

Motor/electronics

Motor type	T 20-6/32R (Ex)
Motor design	Submersible motor – surface-cooled
Mains connection	3~460 V, 60 Hz
Rated current I_N	28.50 A
Starting current – direct I_A	130.00 A
Starting current – star-delta I_A	43.00 A
Power consumption $P_{1\ max}$	25.6 hp
Rated power P_2	21.5 hp
Speed original n	1120 RPM
Motor efficiency class	–
Efficiency η_M	84.0 %
Power factor $\cos \varphi$	0.84
Min. fluid temperature T_{min}	37 °F
Max. fluid temperature T_{max}	104 °F
Max. immersion depth	66 ft
Insulation class	H
Max. switching frequency t	15 rph
min. switching break t	3 min
Starting torque M	181.4 lbf ft
Moment of inertia	1.85 lb ft ²
Motor bearings	1 grooved ball bearing, 1 two-row inclined ball bearing

Materials

Motor housing	ASTM A48, Class No. 35
Static gaskets	FKM Fluoro rubber
Motor shaft	AISI 420
Seal, gear/sealing chamber	SiC/SiC, Q1Q1VGG
Gear housing	ASTM A48, Class No. 35
Planetary gear	AISI 5115
Hollow gear	Grade 60
Sun gear	AISI 5115
Output shaft	AISI 329
Seal, gear chamber/prechamber	FKM Fluoro rubber
Sealing chamber	ASTM A48, Class No. 35
Seal bushing	AISI 316Ti
Propeller	AISI 316

Gear

Gear construction type	m 3.0 as per DIN 780-1:1977-05 /P10 (ISO54:1996-12); sun and planetary gears case hardened and sanded, internal gear butt-jointed
Gear bearings	3x2 needle roller bearing (planetary), two roller bearings (output shaft)
Service life L_{h10}	100,000 operating hours, ISO 281:2007-02

*maximum weight including accessories