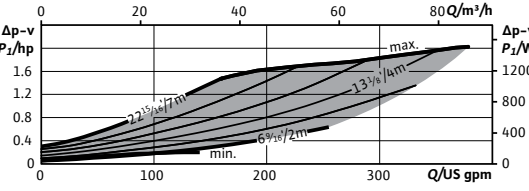
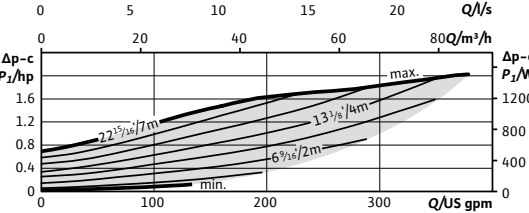
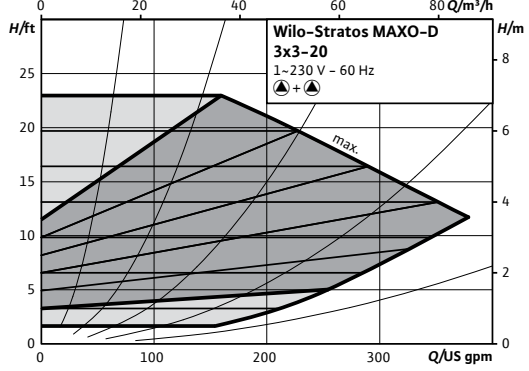
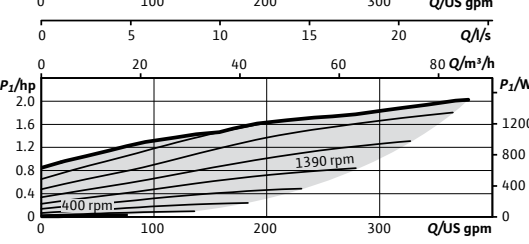
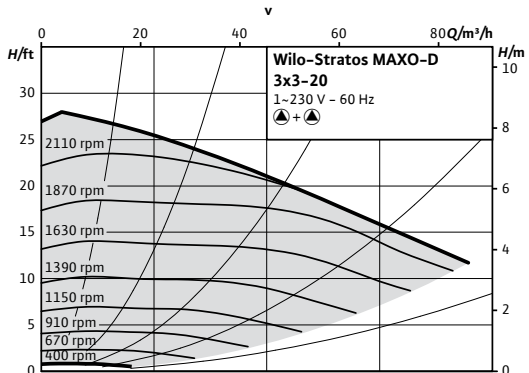


Wilo-Stratos MAXO-D

		Project:					
		Engineer:					
		Contractor:					
		Submitted By:			Date:		
		Approved By:			Date:		
Tag #	Model #	Flow	Head	Control Mode	Cycle	Phase	Voltage
	Maxo-D 3x3-20				60Hz	1~	230-240V



Product Info

Brand	Wilo
Product Description	Stratos MAXO-D 3x3-20
Article Number	2164620
Net Weight (approx.)	139 lbs

Hydraulic Data

Max Operating Pressure PN	145 PSI
Min. Suction Head (122°F)	10 PSI
Min. Suction Head (203°F)	21.3 PSI
Min. Suction Head (230°F)	32.7 PSI
Min. Fluid Temp.	14°F
Max Fluid Temp.	230°F
Min. Ambient Temp	14°F
Max. Ambient Temp	104°F

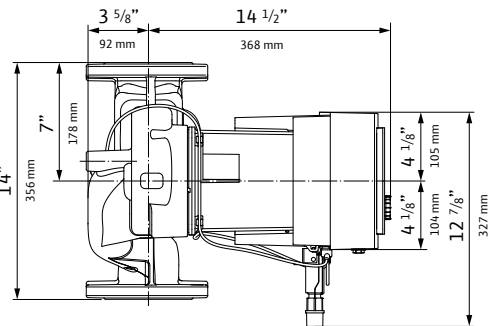
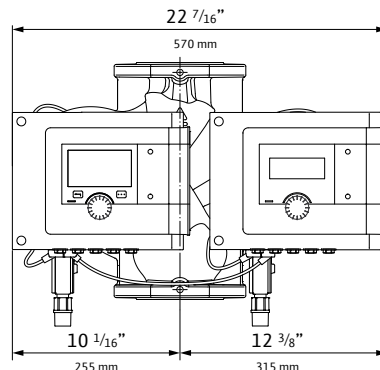
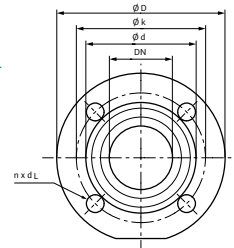
CIF Module Selection

BACnet MS/TP
Modbus RTU
CANopen
LON TP/FT-10
PLR

Accessory Selection

Immersion Temp. Sensor Pt 1000 AA
Immersion Sleeve G ½", 45mm
Pipe Surface Contact Sensor PT 1000 B
Immersion Sleeve G ½", 100mm

Dia.	3"
ØD	7 9/16"
Ød	5 1/16"
Øk	6"
n x d _L	4 x 3/4"



Materials

Pump Housing	EN-GJL-250
Impeller	PPS-GF40
Shaft	X30Cr13
Bearing	Carbon, Antimony-Impregnated

Motor Data

Mains Connection	1~230-240V ±10%, 50/60Hz
Motor Type	ECM
Rated Power P ₂	0.995 hp
Min. Speed n _{min}	400 RPM
Max. Speed n _{max}	2350 RPM
Power Consumption P _{1,max}	1.093 hp
Power Consumption P _{1,min}	0.020 hp
Max Current (1~230V) I _{max}	3.54 A
Min Current (1~230V) I _{min}	0.3 A
Insulation Class	F
Protection Class	Enclosure 2

Electrical Inputs

Analog Inputs (2x)	0-10V / 0-20mA / 4-20mA / PT 1000 Passive/Active +24V DC
Digital Inputs (2x)	Ext Off / Ext Min / Ext Max / Ext. MANUAL (BMS off) / External Key Lock / Switch heating, cooling
Wilo NET	Multi-Pump Communication
SSM	Fault Signal
SBM	Run Signal

Installation Dimensions

Pipe Connection (discharge)	3"
Pipe Connection (suction)	3"
Flange to Flange	14"

WILO USA LLC
+1 262-204-6600
www.wilo-usa.com
info.us@wilo.com

WILO Canada Inc.
+1 403-276-9456
www.wilo-canada.com
info@wilo-canada.com

WILO Mexico
+52 442 167 00 32
www.wilo-mexico.com
info@wilo.com.mx