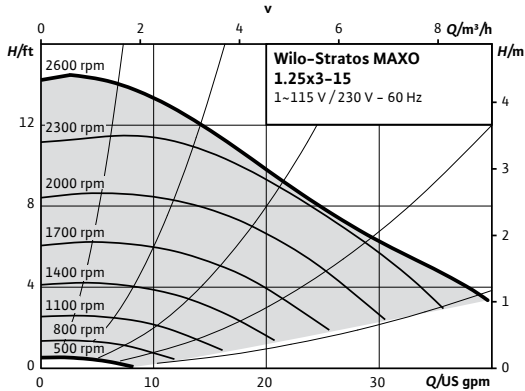


Wilo-Stratos MAXO



| | |
|---------------|-------|
| Project: | |
| Engineer: | |
| Contractor: | |
| Submitted By: | Date: |
| Approved By: | Date: |

| Tag # | Model # | Flow | Head | Control Mode | Cycle | Phase | Voltage |
|-------|----------------|------|------|--------------|-------|-------|--------------|
| | Maxo 1.25x3-15 | | | | 60Hz | 1~ | 115/230-240V |



Product Info

| | |
|----------------------|------------------------|
| Brand | Wilo |
| Product Description | Stratos MAXO 1.25x3-15 |
| Article Number | 2164606 |
| Net Weight (approx.) | 16 lbs |

Materials

| | |
|--------------|-----------------|
| Pump Housing | EN-GJL-250 |
| Impeller | PPS-GF40 |
| Shaft | X39CrMo17-1 |
| Bearing | Carbon-graphite |

Hydraulic Data

| | |
|---------------------------|----------|
| Max Operating Pressure PN | 145 PSI |
| Min. Suction Head (122°F) | 4.3 PSI |
| Min. Suction Head (203°F) | 14.2 PSI |
| Min. Suction Head (230°F) | 22.8 PSI |
| Min. Fluid Temp. | 14°F |
| Max Fluid Temp. | 230°F |
| Min. Ambient Temp | 14°F |
| Max. Ambient Temp | 104°F |

Motor Data

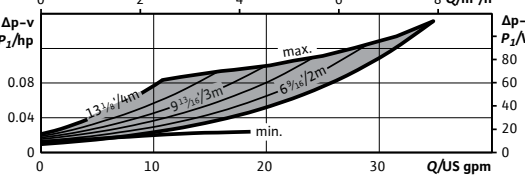
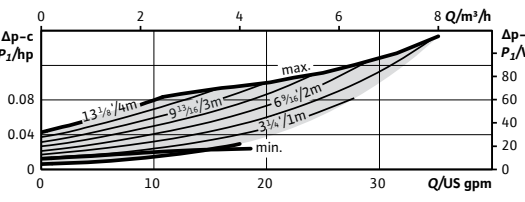
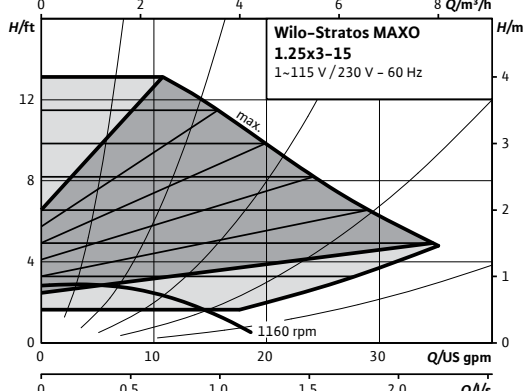
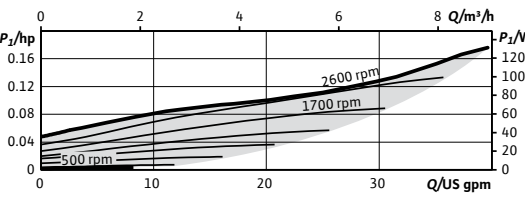
| | |
|---------------------------------------|--------------------------------------------------|
| Mains Connection | 1~115V ±10%, 50/60Hz 1~230-240V ±10%, 50/60Hz |
| Motor Type | ECM |
| Rated Power P ₂ | 0.125 hp |
| Min. Speed n _{min} | 500 RPM |
| Max. Speed n _{max} | 2600 RPM |
| Power Consumption P _{3,max} | 0.174 hp |
| Power Consumption P _{1,min} | 0.009 hp |
| Max Current (1-230V) I _{max} | 0.59 A |
| Min Current (1-230V) I _{min} | 0.11 A |
| Max Current (1-115V) I _{max} | 1.16 A |
| Min Current (1-115V) I _{min} | 0.11 A |
| Insulation Class | F |
| Protection Class | Enclosure 2 |

CIF Module Selection

- BACnet MS/TP
- Modbus RTU
- CANopen
- LON TP/FT-10
- PLR

Accessory Selection

- Immersion Temp. Sensor Pt 1000 AA
- Immersion Sleeve G ½", 45mm
- Pipe Surface Contact Sensor PT 1000 B
- Immersion Sleeve G ½", 100mm

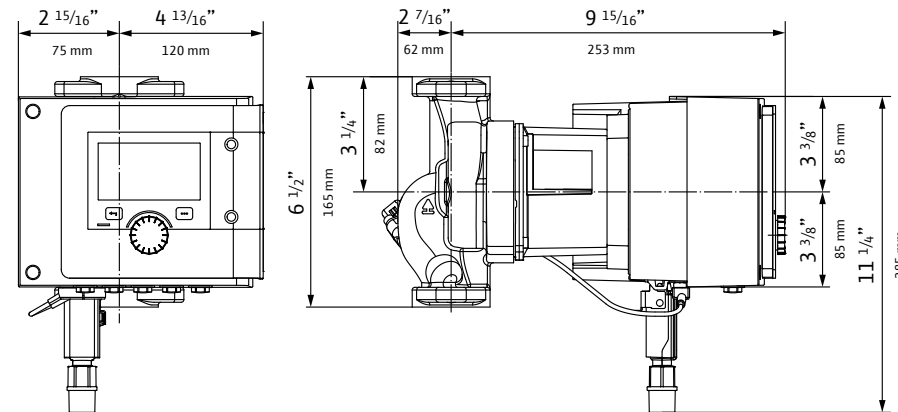
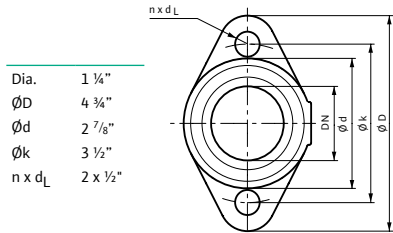


Electrical Inputs

| | |
|---------------------|-------------------------------------------------------------------------------------------------------------------------------------|
| Analog Inputs (2x) | 0-10V / 0-20mA / 4-20mA / PT 1000 Passive/Active +24V DC |
| Digital Inputs (2x) | Ext Off / Ext Min / Ext Max / Ext. MANUAL (BMS off) / External Key Lock / Switch heating, cooling Multi-Pump Communication |
| Wilo NET | |
| SSM | Fault Signal |
| SBM | Run Signal |

Installation Dimensions

| | |
|-----------------------------|------|
| Pipe Connection (discharge) | 1 ¼" |
| Pipe Connection (suction) | 1 ¼" |
| Flange to Flange | 6 ½" |



WILO USA LLC
+1 262 204-6600
www.wilo-usa.com
info.us@wilo.com

WILO Canada Inc.
+1 403 276-9456
www.wilo-canada.com
info@wilo-canada.com

WILO Mexico
+52 442 167 00 32
www.wilo-mexico.com
info@wilo.com.mx