

Submittal Data Sheet

Wilco Helix Complete- Vertical Multistage Pumps

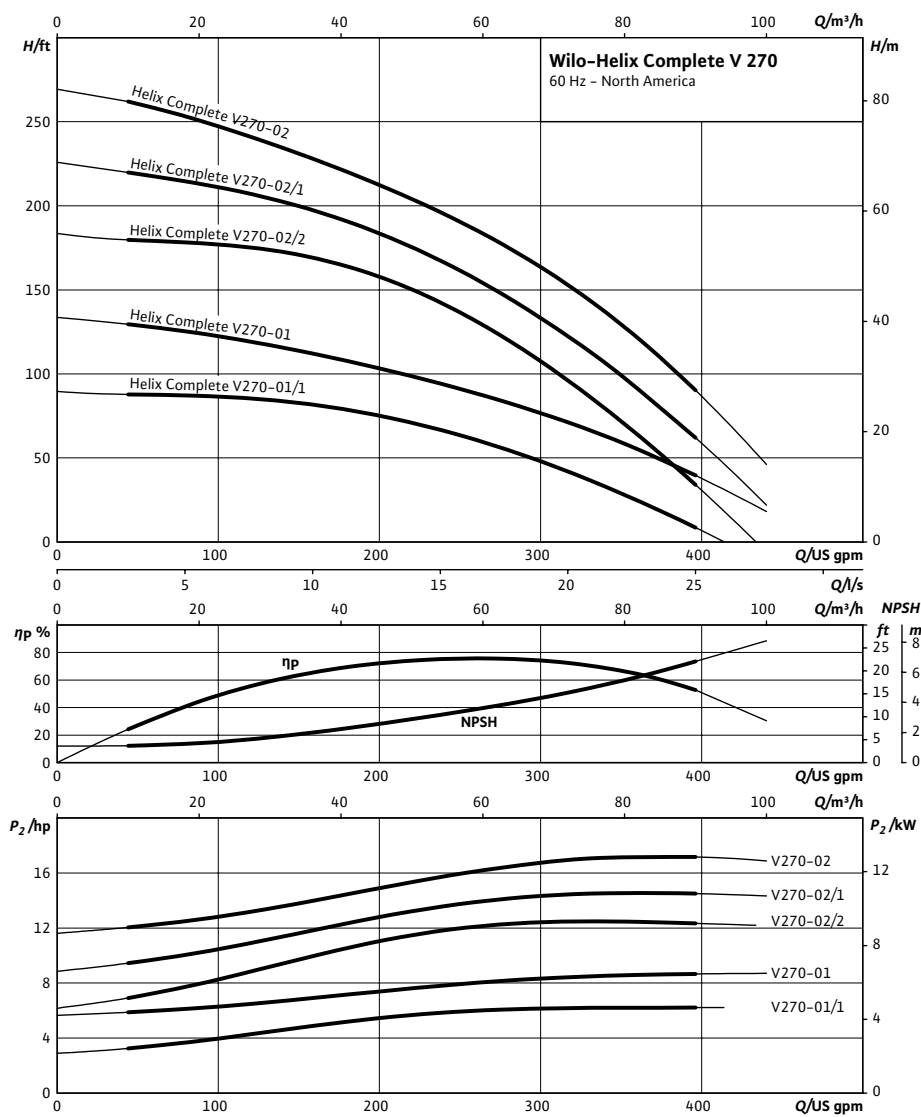


Wilo Helix Complete V 270 EFC (304 SS - EPDM)



Project:								
Engineer:								
Contractor:								
Submitted By:					Date:			
Approved By:					Date:			

Tag #	Model #	Flow	Head	HP	Cycle	Phase	Voltage	RPM
	Helix Complete V270 EFC				60HZ			



Applications	
• Water supply & pressure boosting	• Industrial circulation systems
• Cooling water circulation systems	• Process water
• Washing systems	• Irrigation

Materials of Construction	
Pump Volute	Stainless steel AISI 304
Impeller, Housing, Diffusers	Stainless steel AISI 304L
Shaft	Stainless steel AISI 431
Shaft Sleeve	Stainless steel AISI 316L
Baseplate & Lantern	Cast iron cataphoresis coated ASTM A 48 Class 35/40
Flanges	Cast iron cataphoresis, coated Grey Cast Iron ASTM A 48 Class 35/40
O-ring	EPDM (FKM gasket upon request)
Jacket Pipe	Stainless steel AISI 304

Technical Data	
Certification	NSF 61 Approved (EPDM)
Liquid Temp Range	-4°F to +180°F
Power Supply	3- 208-230v, 3- 460v, 3- 575v
Ambient temperature	+5°F to +104°F
System Connection	ANSI CLASS 150
Max Operating Pressure	232 PSI
Protection Class	IP 55

Approval Stamp

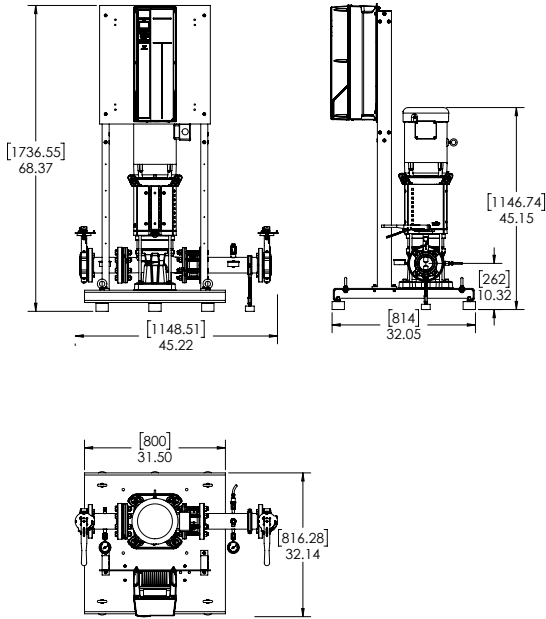
Submittal Data Sheet

Wilo Helix Complete – Vertical Multistage Pumps



Dimensions, Weights & Electrical Data

1~230V



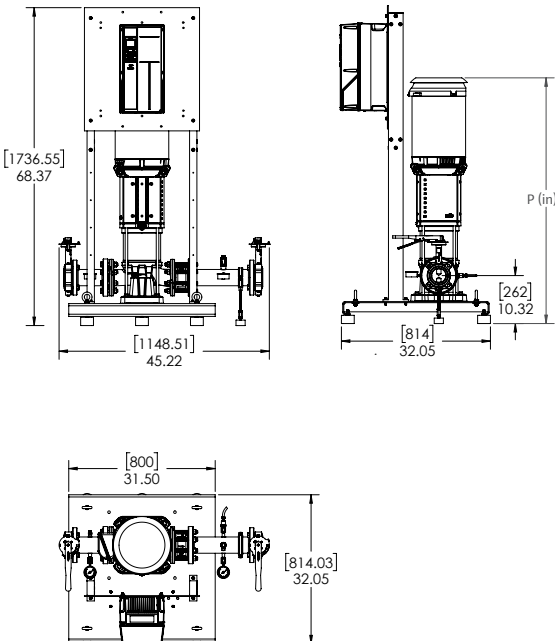
Dimensions and Weights

Model	P	B	F	W	D	
	Dimensions				Weight	
	in	in	in	in	lbs	
V270-01/1-1 EFC	45	32	32	32	68	605
V270-01-1	45	32	32	32	68	645

TEFC Motor Data

1~230V	
P2	FLA
[HP]	[A]
7.5	17.2-16.2
10	24.8-24.2

3~208-230V



Dimensions and Weights

Model	P	B	F	W	D	
	Dimensions				Weight	
	in	in	in	in	lbs	
V270-01/1-1 EFC	45	32	32	32	68	605
V270-01-1	45	32	32	32	68	636
V270-02/2-1	53	32	32	32	68	694
V270-02/1-1	53	32	32	32	68	753
V270-02-1	52	32	32	32	68	762

TEFC Motor Data

3~208-230V	
P2	FLA
[HP]	[A]
7.5	17.2-16.2
10	24.8-24.2
15	38.5-34.8
15	38.5-34.8
20	50.0-46.0

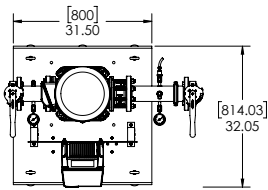
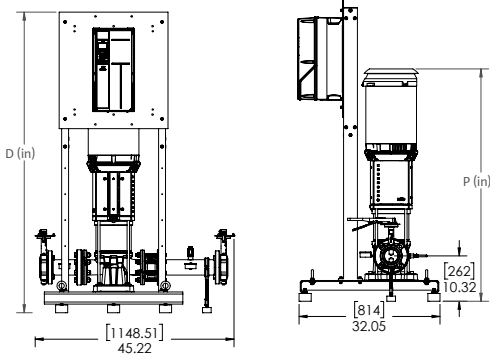
Submittal Data Sheet

Wilo Helix Complete – Vertical Multistage Pumps

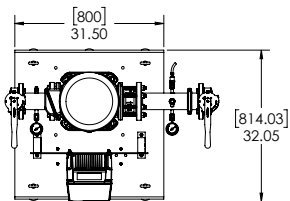
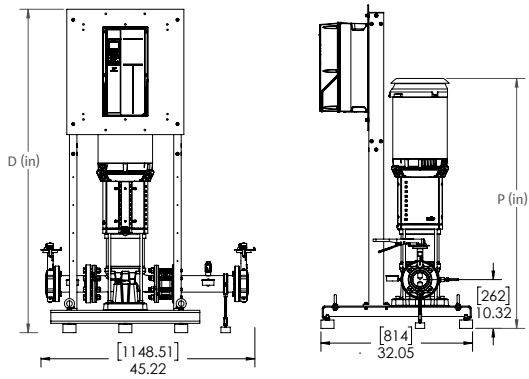


Dimensions, Weights & Electrical Data

3~460V



3~575V



Dimensions and Weights

Model	P	B	F	W	D	Weight lbs
	in	in	in	in	in	
V270-01/1-1 EFC	45	32	32	32	44	547
V270-01-1	45	32	32	32	44	578
V270-02/2-1	53	32	32	32	68	694
V270-02/1-1	53	32	32	32	68	753
V270-02-1	52	32	32	32	68	753

TEFC Motor Data

3~460V	
P2	FLA
[HP]	[A]
7.5	8.1
10	12.1
15	17.4
15	17.4
20	23

Dimensions and Weights

Model	P	B	F	W	D	Weight lbs
	in	in	in	in	in	
V270-01/1-1 EFC	45	32	32	32	44	547
V270-01-1	45	32	32	32	44	578
V270-02/2-1	53	32	32	32	68	694
V270-02/1-1	53	32	32	32	68	753
V270-02-1	52	32	32	32	68	753

TEFC Motor Data

3~575V	
P2	FLA
[HP]	[A]
7.5	6.8
10	9.5
15	13.9
15	13.9
20	18.2