

# Submittal Data Sheet

## Wilco Helix Complete- Vertical Multistage Pumps

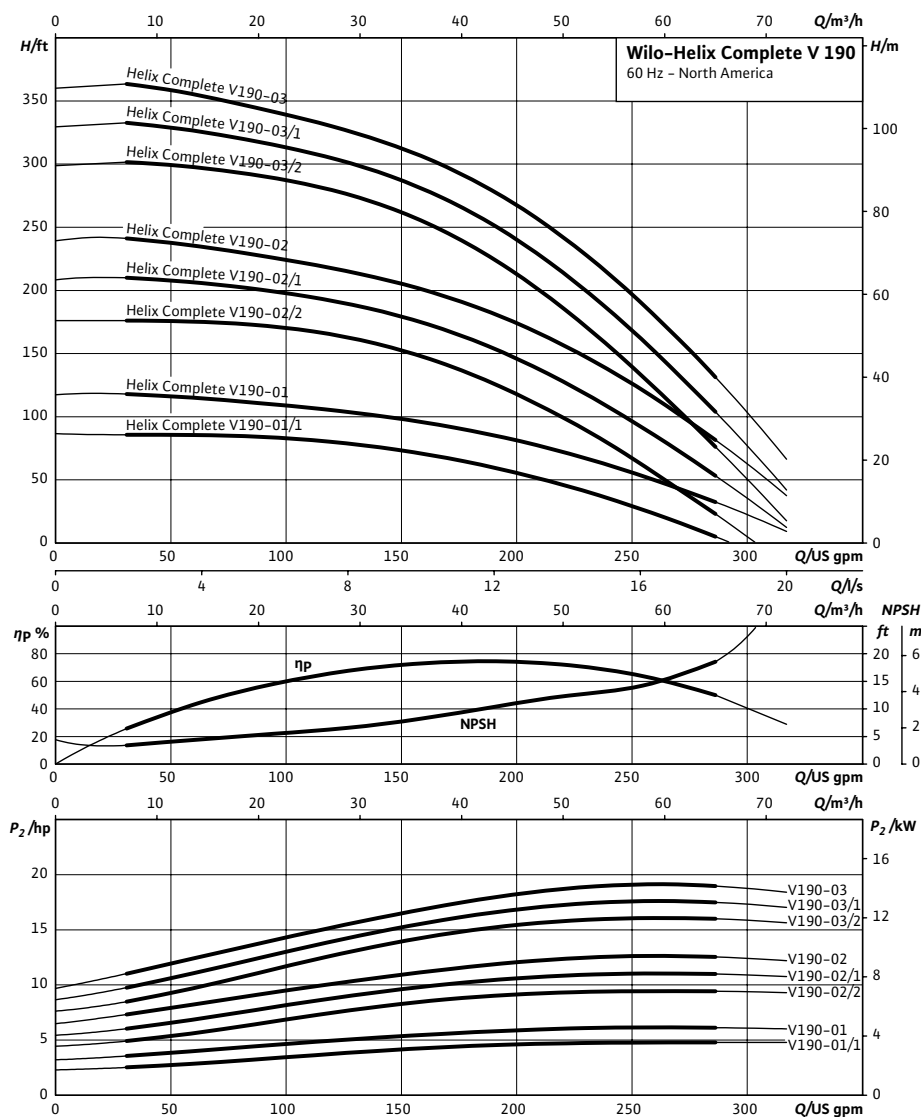


### Wilo Helix Complete V 190 EFC (304 SS - EPDM)



Project:			
Engineer:			
Contractor:			
Submitted By:		Date:	
Approved By:		Date:	

Tag #	Model #	Flow	Head	HP	Cycle	Phase	Voltage	RPM
	Helix Complete V190 EFC				60HZ			



Applications	
• Water supply & pressure boosting	• Industrial circulation systems
• Cooling water circulation systems	• Process water
• Washing systems	• Irrigation

Materials of Construction	
Pump Volute	Stainless steel AISI 304
Impeller, Housing, Diffusers	Stainless steel AISI 304L
Shaft	Stainless steel AISI 431
Shaft Sleeve	Stainless steel AISI 316L
Baseplate & Lantern	Cast iron cataphoresis coated ASTM A 48 Class 35/40
Flanges	Cast iron cataphoresis, coated Grey Cast Iron ASTM A 48 Class 35/40
O-ring	EPDM (FKM gasket upon request)
Jacket Pipe	Stainless steel AISI 304

Technical Data	
Certification	NSF 61 Approved (EPDM)
Liquid Temp Range	-4°F to +180°F
Power Supply	3- 208-230v, 3- 460v, 3- 575v
Ambient temperature	+5°F to +104°F
System Connection	ANSI CLASS 150
Max Operating Pressure	232 PSI
Protection Class	IP 55

Approval Stamp

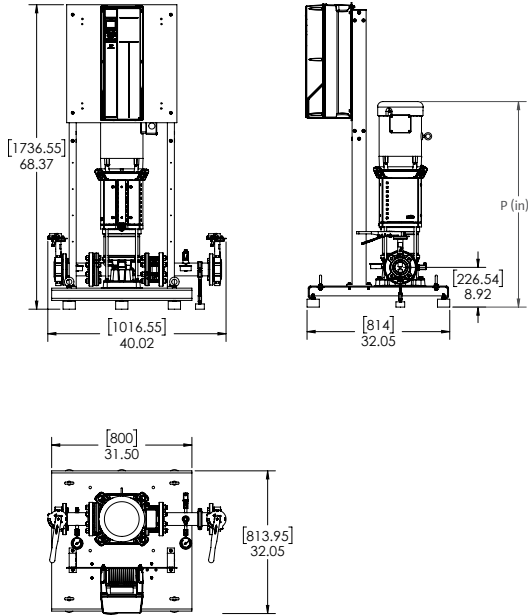
# Submittal Data Sheet

Wilo Helix Complete – Vertical Multistage Pumps



## Dimensions, Weights & Electrical Data

### 1~230V



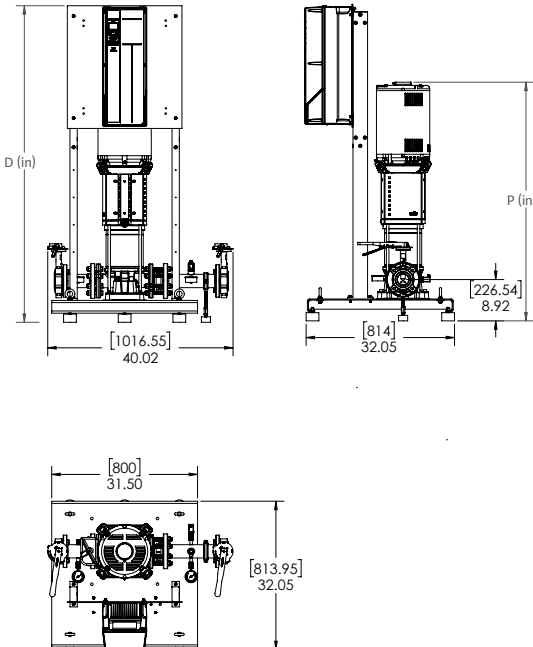
#### Dimensions and Weights

Model	P	B	F	W	D	Weight lbs
	in	in	in	in	in	
V190-01/1-1 EFC	38	32	32	32	68	526
V190-01-1	44	32	32	32	68	576
V190-02/2-1	46	32	32	32	68	620

#### TEFC Motor Data

1-230V	
P2	FLA
[HP]	[A]
5	12-11.8
7.5	17.2-16.2
10	24.8-24.2

### 3~208-230V



#### Dimensions and Weights

Model	P	B	F	W	D	Weight lbs
	in	in	in	in	in	
V190-01/1-1 EFC	38	32	32	32	44	467
V190-01-1	44	32	32	32	68	576
V190-02/2-1	46	32	32	32	68	611
V190-02/1-1	50	32	32	32	68	652
V190-02-1	50	32	32	32	68	652
V190-03/2-1	52	32	32	32	68	735
V190-03/1-1	52	32	32	32	68	735
V190-03-1	52	32	32	32	68	729

#### TEFC Motor Data

3-208-230V	
P2	FLA
[HP]	[A]
5	12-11.8
7.5	17.2-16.2
10	24.8-24.2
15	38.5-34.8
15	38.5-34.8
20	50.0-46.0
20	50.0-46.0
20	50.0-46.0

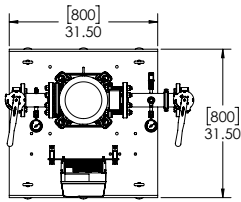
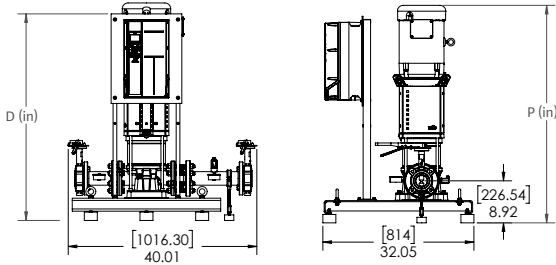
# Submittal Data Sheet

Wilo Helix Complete – Vertical Multistage Pumps

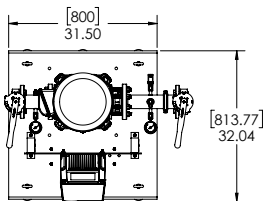
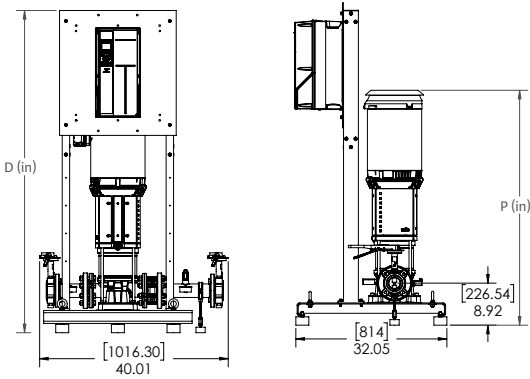


## Dimensions, Weights & Electrical Data

### 3~460V



### 3~575V



#### Dimensions and Weights

Model	P	B	F	W	D	Weight lbs
	in	in	in	in	in	
V190-01/1-1 EFC	38	32	32	32	44	467
V190-01-1	44	32	32	32	44	517
V190-02/2-1	46	32	32	32	44	552
V190-02/1-1	50	32	32	32	68	652
V190-02-1	50	32	32	32	68	652
V190-03/2-1	52	32	32	32	68	726
V190-03/1-1	52	32	32	32	68	726
V190-03-1	52	32	32	32	68	720

#### TEFC Motor Data

3~460V	
P2	FLA
[HP]	[A]
5	5.9
7.5	8.1
10	12.1
15	17.4
15	17.4
20	23
20	23
20	23

#### Dimensions and Weights

Model	P	B	F	W	D	Weight lbs
	in	in	in	in	in	
V190-01/1-1 EFC	38	32	32	32	44	467
V190-01-1	44	32	32	32	44	517
V190-02/2-1	46	32	32	32	44	552
V190-02/1-1	50	32	32	32	68	652
V190-02-1	50	32	32	32	68	652
V190-03/2-1	52	32	32	32	68	726
V190-03/1-1	52	32	32	32	68	726
V190-03-1	52	32	32	32	68	720

#### TEFC Motor Data

3~575V	
P2	FLA
[HP]	[A]
5	4.7
7.5	6.8
10	9.5
15	13.9
15	13.9
20	18.2
20	18.2
20	18.2