
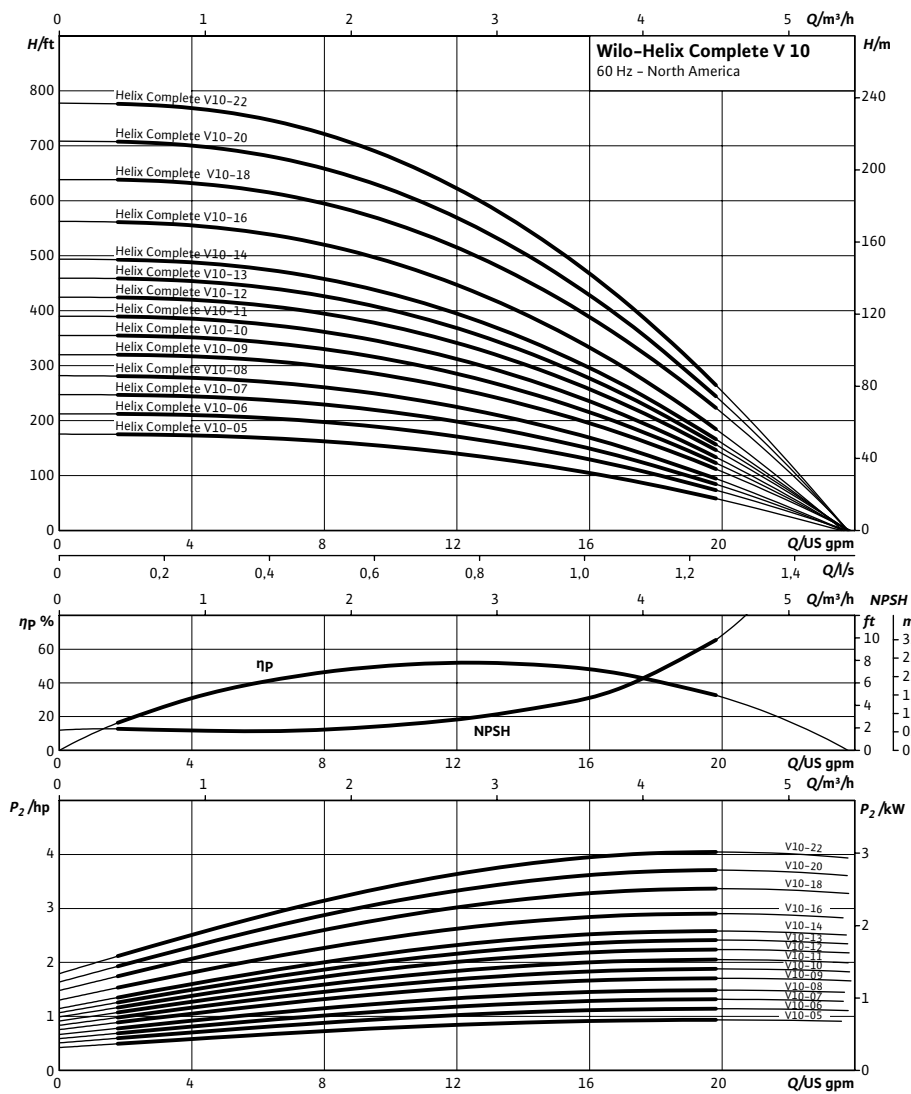


Submittal Data Sheet

Wilo Helix Complete- Vertical Multistage Pumps



Wilo Helix Complete V 10 EFC (304 SS - EPDM)								
		Project:						
		Engineer:						
		Contractor:						
		Submitted By:				Date:		
		Approved By:				Date:		
Tag #	Model #	Flow	Head	HP	Cycle	Phase	Voltage	RPM
	Helix Complete V10 EFC				60HZ			



Applications	
• Water supply & pressure boosting	• Industrial circulation systems
• Cooling water circulation systems	• Process water
• Washing systems	• Irrigation

Materials of Construction	
Pump volute, flanges, impeller, stage housing, diffusers	Stainless steel AISI 304
Shaft	Stainless steel AISI 304 or AISI 316LN (Depending on version)
Shaft sleeve	Stainless Steel AISI 316L
Baseplate & lantern	Cast Iron Cataphoresis Coated ASTM A 48 Class 35/40
O-ring	EPDM (FKM upon request)
Jacket pipe	Stainless Steel AISI 304

Technical Data	
Certification	NSF 61 Approved (EPDM)
Liquid Temp Range	-4°F to +180°F
Power Supply	3- 208-230v, 3- 460v, 3- 575v
Ambient temperature	+5°F to +104°F
System Connection	NPT
Max Operating Pressure	232/363 PSI
Protection Class	IP 55

Approval Stamp

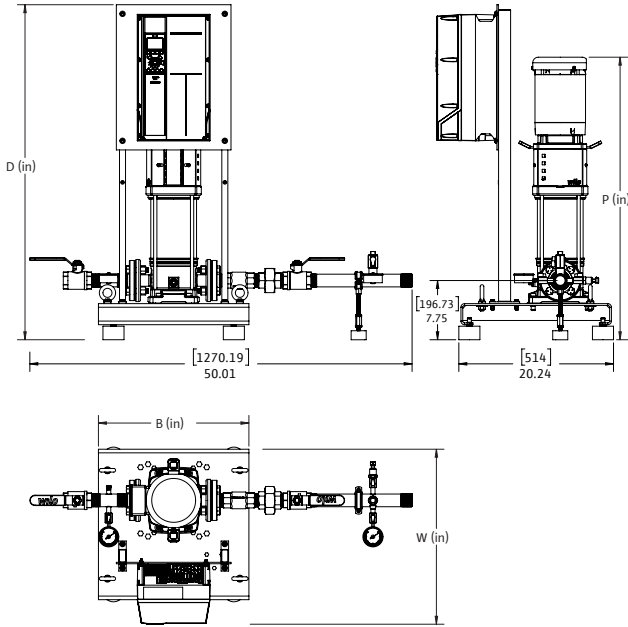
Submittal Data Sheet

Wilo Helix Complete – Vertical Multistage Pumps



Dimensions, Weights & Electrical Data

1~230V



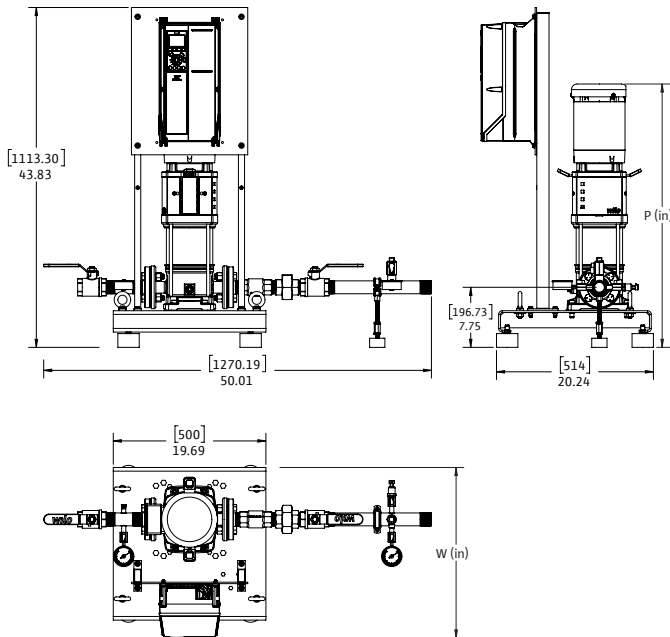
Dimensions and Weights

Model	P	B	F	W	D	Weight lbs
	Dimensions					
	in	in	in	in	in	
V10-05-1 EFC	34	20	20	23	44	200
V10-06-1	35	20	20	23	44	219
V10-07-1	36	20	20	23	44	221
V10-08-1	37	20	20	23	44	223
V10-09-1	39	32	32	32	68	341
V10-10-1	40	32	32	32	68	335
V10-11-1	41	32	32	32	68	337
V10-12-1	42	32	32	32	68	351
V10-13-1	44	32	32	32	68	354
V10-14-1	44	32	32	32	68	355
V10-16-1	46	32	32	32	68	357
V10-18-1	52	32	32	32	68	389
V10-20-1	54	32	32	32	68	391
V10-22-1	58	32	32	32	68	393

TEFC Motor Data

1~230V	
P2	FLA
[HP]	[A]
1	3.0-2.8
1.5	4.0-3.8
1.5	4.0-3.8
1.5	4.0-3.8
2	5.3-5.0
2	5.3-5.0
2	5.3-5.0
3	7.9-7.2
3	7.9-7.2
3	7.9-7.2
3	7.9-7.2
5	12-11.8
5	12-11.8
5	12-11.8

3~208-230V



Dimensions and Weights

Model	P	B	F	W	D	Weight lbs
	Dimensions					
	in	in	in	in	in	
V10-05-1 EFC	34	20	20	22	44	209
V10-06-1	35	20	20	22	44	219
V10-07-1	36	20	20	22	44	221
V10-08-1	37	20	20	22	44	223
V10-09-1	39	20	20	22	44	231
V10-10-1	40	20	20	22	44	225
V10-11-1	41	20	20	22	44	227
V10-12-1	42	20	20	22	44	241
V10-13-1	44	20	20	22	44	244
V10-14-1	44	20	20	22	44	245
V10-16-1	46	20	20	22	44	247
V10-18-1	52	20	20	23	44	279
V10-20-1	54	20	20	23	44	281
V10-22-1	58	20	20	23	44	283

TEFC Motor Data

3~208-230V	
P2	FLA
[HP]	[A]
1	3.0-2.8
1.5	4.0-3.8
1.5	4.0-3.8
1.5	4.0-3.8
2	5.3-5.0
2	5.3-5.0
2	5.3-5.0
3	7.9-7.2
3	7.9-7.2
3	7.9-7.2
3	7.9-7.2
5	12-11.8
5	12-11.8
5	12-11.8

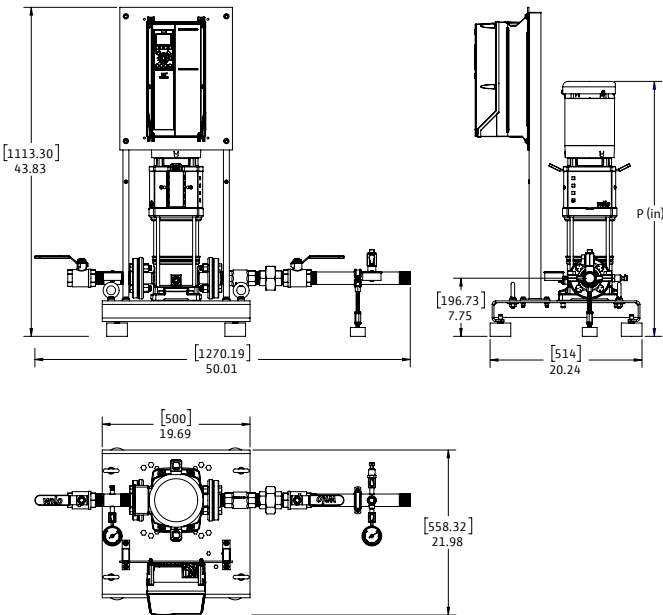
Submittal Data Sheet

Wilo Helix Complete – Vertical Multistage Pumps



Dimensions, Weights & Electrical Data

3~460V



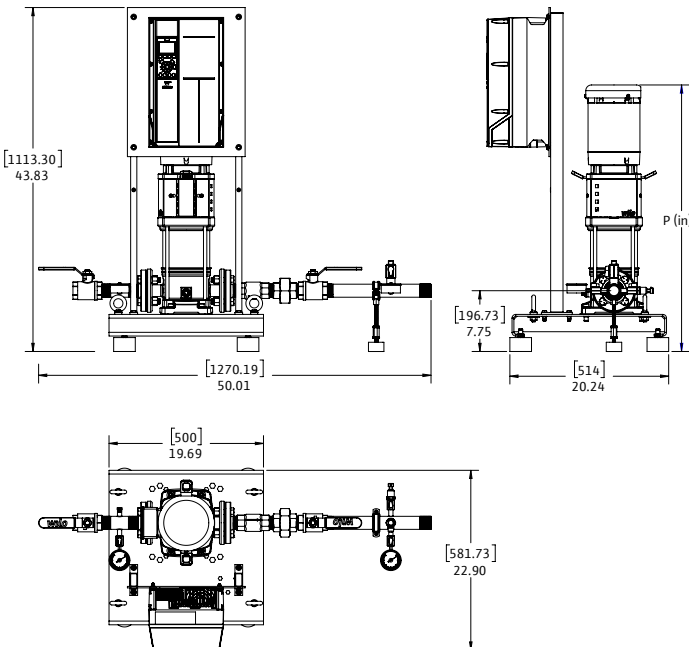
Dimensions and Weights

Model	P	B	F	W	D	Weight lbs
	in	in	in	in	in	
V10-05-1 EFC	34	20	20	22	44	209
V10-06-1	35	20	20	22	44	219
V10-07-1	36	20	20	22	44	221
V10-08-1	37	20	20	22	44	223
V10-09-1	39	20	20	22	44	231
V10-10-1	40	20	20	22	44	225
V10-11-1	41	20	20	22	44	227
V10-12-1	42	20	20	22	44	241
V10-13-1	44	20	20	22	44	244
V10-14-1	44	20	20	22	44	245
V10-16-1	46	20	20	22	44	247
V10-18-1	52	20	20	23	44	279
V10-20-1	54	20	20	23	44	281
V10-22-1	58	20	20	23	44	283

TEFC Motor Data

3~460V	
P2	FLA
[HP]	[A]
1	1.40
1.5	1.87
1.5	1.87
1.5	1.87
2	2.50
2	2.50
2	2.50
3	3.60
3	3.60
3	3.60
3	3.60
5	5.90
5	5.90
5	5.90

3~575V



Dimensions and Weights

Model	P	B	F	W	D	Weight lbs
	in	in	in	in	in	
V10-05-1 EFC	34	20	20	23	44	209
V10-06-1	35	20	20	23	44	219
V10-07-1	36	20	20	23	44	221
V10-08-1	37	20	20	23	44	223
V10-09-1	39	20	20	23	44	231
V10-10-1	40	20	20	23	44	225
V10-11-1	41	20	20	23	44	227
V10-12-1	42	20	20	23	44	241
V10-13-1	44	20	20	23	44	244
V10-14-1	44	20	20	23	44	245
V10-16-1	46	20	20	23	44	247
V10-18-1	52	20	20	23	44	279
V10-20-1	54	20	20	23	44	281
V10-22-1	58	20	20	23	44	283

TEFC Motor Data

3~575V	
P2	FLA
[HP]	[A]
1	1.10
1.5	1.50
1.5	1.50
1.5	1.50
2	2.00
2	2.00
2	2.00
3	2.90
3	2.90
3	2.90
3	2.90
5	4.70
5	4.70
5	4.70