

# Submittal Data Sheet

## Wilo Helix Complete- Vertical Multistage Pumps

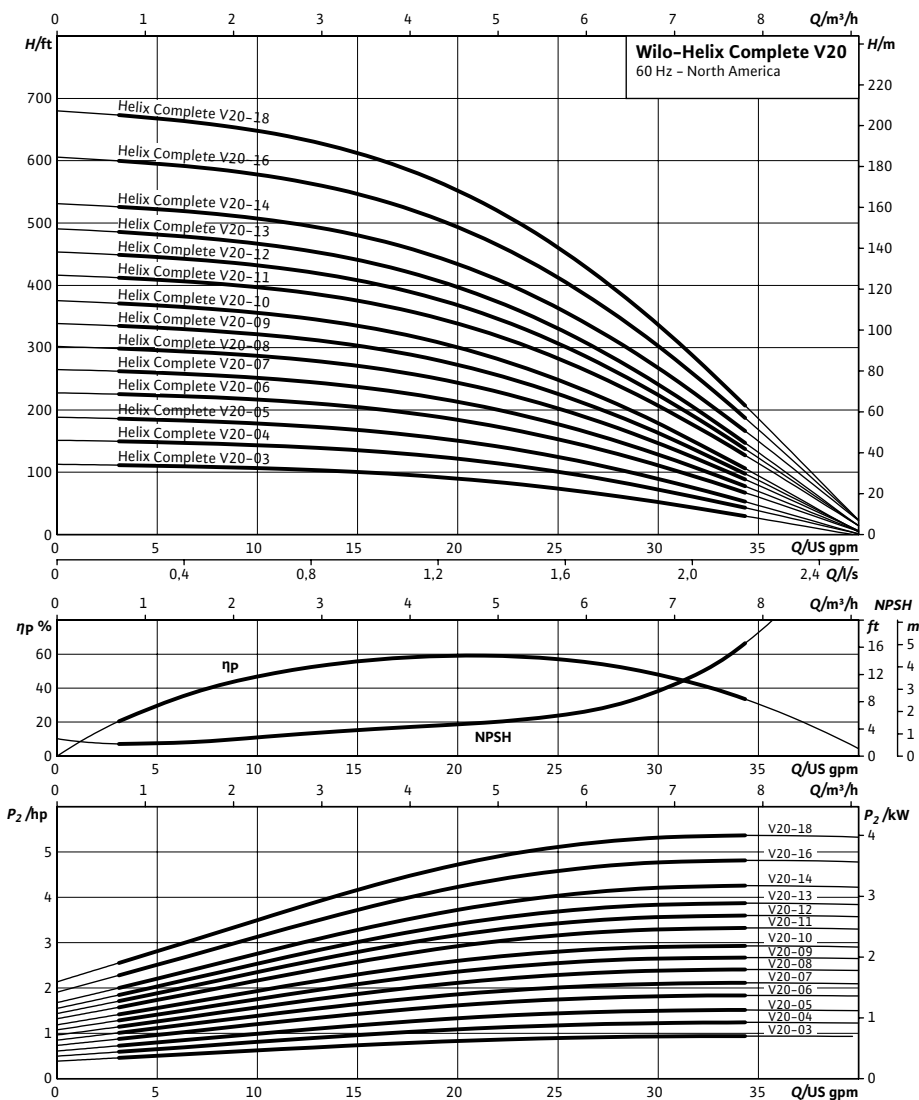


### Wilo Helix Complete V 20 EFC (304 SS - EPDM)



Project:	
Engineer:	
Contractor:	
Submitted By:	Date:
Approved By:	Date:

Tag #	Model #	Flow	Head	HP	Cycle	Phase	Voltage	RPM
	Helix Complete V20 EFC				60HZ			



#### Applications

- Water supply & pressure boosting
- Industrial circulation systems
- Cooling water circulation systems
- Process water
- Washing systems
- Irrigation

#### Materials of Construction

Pump volute, flanges, impeller, stage housing, diffusers	Stainless steel AISI 304
Shaft	Stainless steel AISI 304 or AISI 316LN (Depending on version)
Shaft sleeve	Stainless Steel AISI 316L
Baseplate & lantern	Cast Iron Cataphoresis Coated ASTM A 48 Class 35/40
O-ring	EPDM (FKM upon request)
Jacket pipe	Stainless Steel AISI 304

#### Technical Data

Certification	NSF 61 Approved (EPDM)
Liquid Temp Range	-4°F to +180°F
Power Supply	3- 208-230v, 3- 460v, 3- 575v
Ambient temperature	+5°F to +104°F
System Connection	NPT
Max Operating Pressure	232/363 PSI
Protection Class	IP 55

Approval Stamp

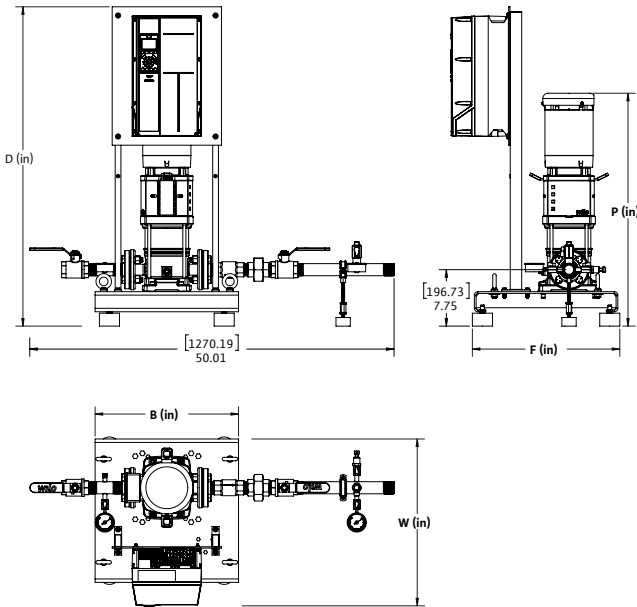
# Submittal Data Sheet

Wilo Helix Complete – Vertical Multistage Pumps



## Dimensions, Weights & Electrical Data

### 1~230V



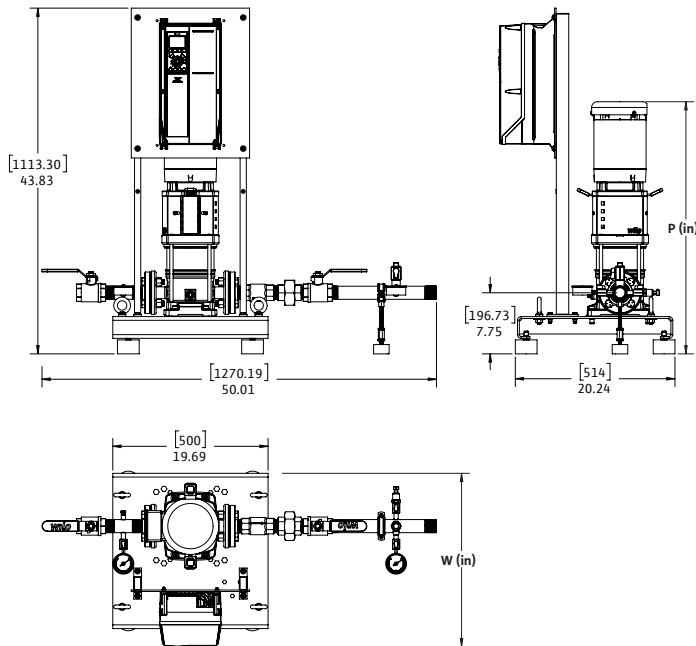
#### Dimensions and Weights

Model	P	B	F	W	D	Weight lbs
	Dimensions					
	in	in	in	in	in	
V20-03-1 EFC	32	20	20	23	44	204
V20-04-1	33	20	20	23	44	221
V20-05-1	34	20	20	23	44	223
V20-06-1	36	32	32	32	68	336
V20-07-1	37	32	32	32	68	357
V20-08-1	39	32	32	32	68	360
V20-09-1	40	32	32	32	68	361
V20-10-1	41	32	32	32	68	358
V20-11-1	45	32	32	32	68	381
V20-12-1	46	32	32	32	68	383
V20-13-1	48	32	32	32	68	388
V20-14-1	48	32	32	32	68	390
V20-16-1	50	32	32	32	68	395
V20-18-1	52	32	32	32	68	400

#### TEFC Motor Data

1-230V	
P2	FLA
[HP]	[A]
1	3.0-2.8
1.5	4.0-3.8
1.5	4.0-3.8
2	5.3-5.0
2	5.3-5.0
3	7.9-7.2
3	7.9-7.2
3	7.9-7.2
5	12-11.8
5	12-11.8
5	12-11.8
5	12-11.8
5	12-11.8
5	12-11.8

### 3~208-230V



#### Dimensions and Weights

Model	P	B	F	W	D	Weight lbs
	Dimensions					
	in	in	in	in	in	
V20-03-1 EFC	32	20	20	22	44	213
V20-04-1	33	20	20	22	44	221
V20-05-1	34	20	20	22	44	223
V20-06-1	36	20	20	22	44	226
V20-07-1	37	20	20	22	44	247
V20-08-1	39	20	20	22	44	250
V20-09-1	40	20	20	22	44	251
V20-10-1	41	20	20	22	44	248
V20-11-1	45	20	20	23	44	271
V20-12-1	46	20	20	23	44	273
V20-13-1	48	20	20	23	44	278
V20-14-1	48	20	20	23	44	280
V20-16-1	50	20	20	23	44	285
V20-18-1	52	20	20	23	44	290

#### TEFC Motor Data

3-208-230V	
P2	FLA
[HP]	[A]
1	3.0-2.8
1.5	4.0-3.8
1.5	4.0-3.8
2	5.3-5.0
2	5.3-5.0
3	7.9-7.2
3	7.9-7.2
3	7.9-7.2
5	12-11.8
5	12-11.8
5	12-11.8
5	12-11.8
5	12-11.8
5	12-11.8

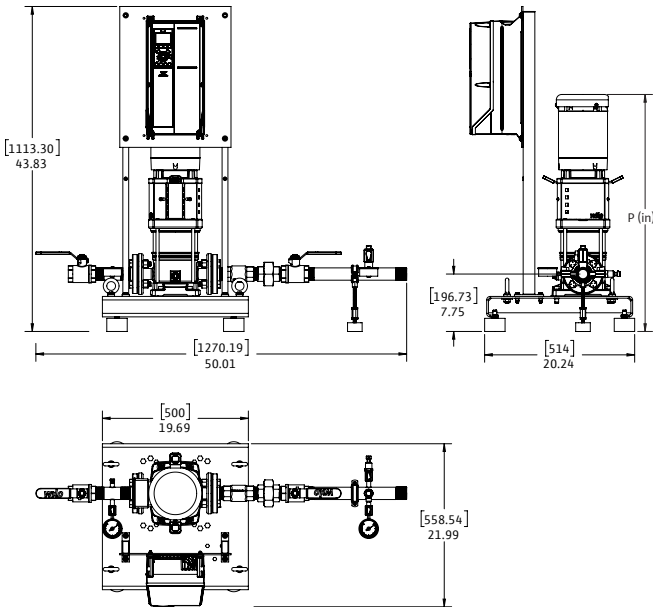
# Submittal Data Sheet

## Wilo Helix Complete – Vertical Multistage Pumps



### Dimensions, Weights & Electrical Data

#### 3~460V



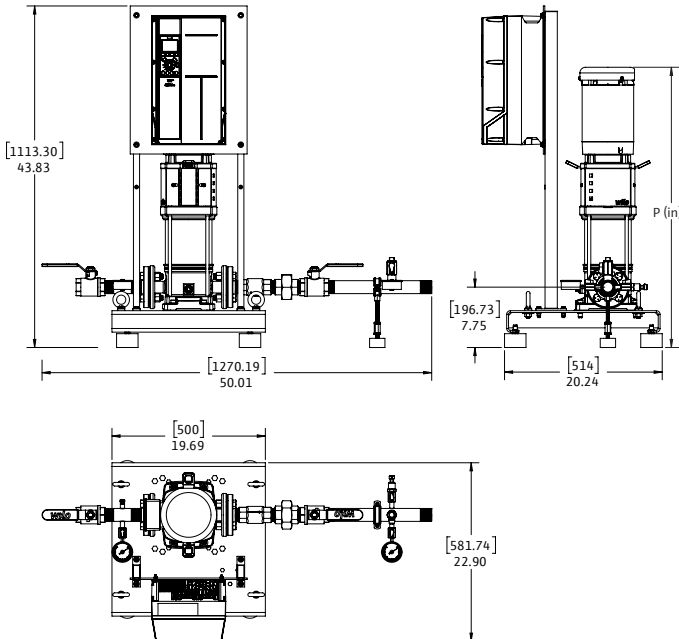
#### Dimensions and Weights

Model	P	B	F	W	D	Weight lbs
	in	in	in	in	in	
V20-03-1 EFC	32	20	20	22	44	213
V20-04-1	33	20	20	22	44	221
V20-05-1	34	20	20	22	44	223
V20-06-1	36	20	20	22	44	226
V20-07-1	37	20	20	22	44	247
V20-08-1	39	20	20	22	44	250
V20-09-1	40	20	20	22	44	251
V20-10-1	41	20	20	22	44	248
V20-11-1	45	20	20	22	44	271
V20-12-1	46	20	20	22	44	273
V20-13-1	48	20	20	22	44	278
V20-14-1	48	20	20	22	44	280
V20-16-1	50	20	20	22	44	285
V20-18-1	52	20	20	22	44	290

#### TEFC Motor Data

3~460V	
P2 [HP]	FLA [A]
1	1.40
1.5	1.87
1.5	1.87
2	2.50
2	2.50
3	3.60
3	3.60
3	3.60
5	5.90
5	5.90
5	5.90
5	5.90
5	5.90
5	5.90

#### 3~575V



#### Dimensions and Weights

Model	P	B	F	W	D	Weight lbs
	in	in	in	in	in	
V20-03-1 EFC	32	20	20	23	44	213
V20-04-1	33	20	20	23	44	221
V20-05-1	34	20	20	23	44	223
V20-06-1	36	20	20	23	44	226
V20-07-1	37	20	20	23	44	247
V20-08-1	39	20	20	23	44	250
V20-09-1	40	20	20	23	44	251
V20-10-1	41	20	20	23	44	248
V20-11-1	45	20	20	23	44	271
V20-12-1	46	20	20	23	44	273
V20-13-1	48	20	20	23	44	278
V20-14-1	48	20	20	23	44	280
V20-16-1	50	20	20	23	44	285
V20-18-1	52	20	20	23	44	290

#### TEFC Motor Data

3~575V	
P2 [HP]	FLA [A]
1	1.10
1.5	1.50
1.5	1.50
2	2.00
2	2.00
3	2.90
3	2.90
3	2.90
5	4.70
5	4.70
5	4.70
5	4.70
5	4.70