
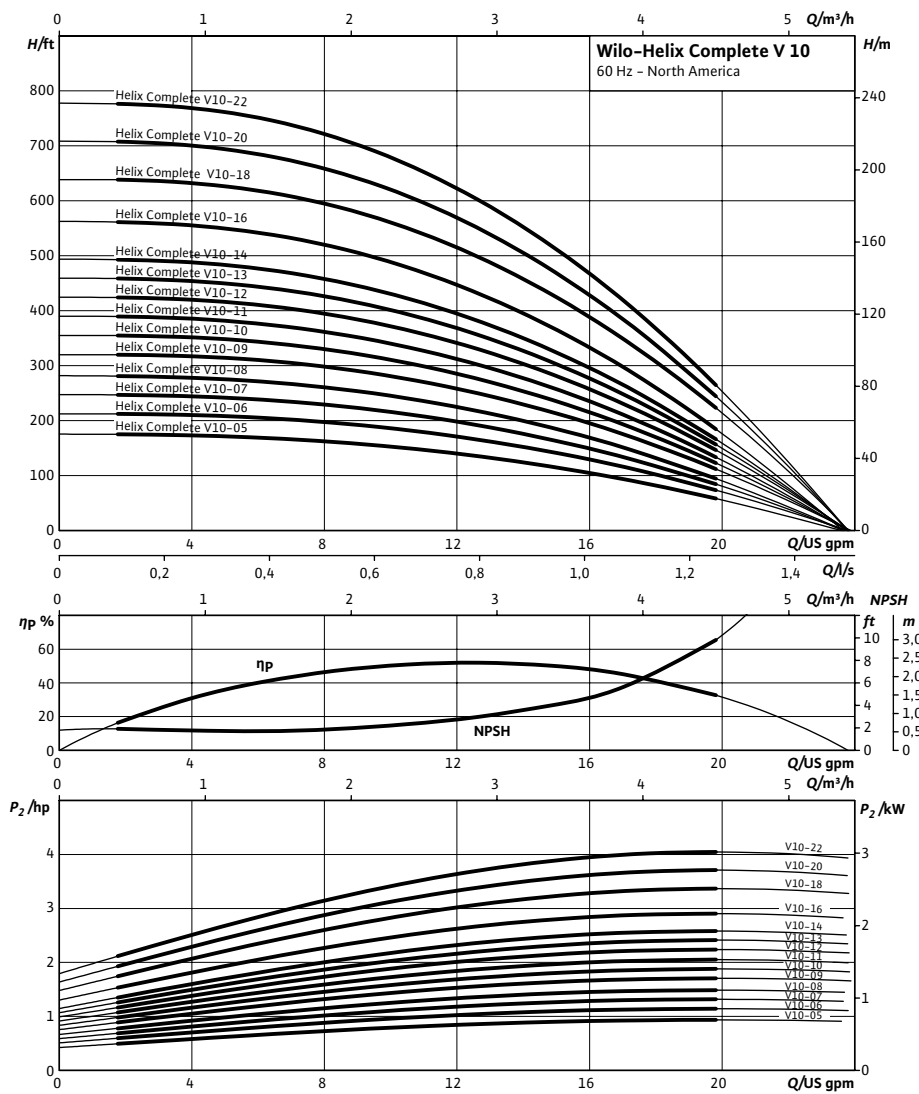


Submittal Data Sheet

Wilco Helix Complete- Vertical Multistage Pumps



Wilo Helix Complete V 10 DISC (304 SS - EPDM)								
		Project:						
		Engineer:						
		Contractor:						
		Submitted By:				Date:		
		Approved By:				Date:		
Tag #	Model #	Flow	Head	HP	Cycle	Phase	Voltage	RPM
	Helix Complete V10 DISC				60HZ			



Applications	
• Water supply & pressure boosting	• Industrial circulation systems
• Cooling water circulation systems	• Process water
• Washing systems	• Irrigation

Materials of Construction	
Pump volute, flanges, impeller, stage housing, diffusers	Stainless steel AISI 304
Shaft	Stainless steel AISI 304 or AISI 318LN (Depending on version)
Shaft sleeve	Stainless Steel AISI 316L
Baseplate & lantern	Cast Iron Cataphoresis Coated ASTM A 48 Class 35/40
O-ring	EPDM (FKM upon request)
Jacket pipe	Stainless Steel AISI 304

Technical Data	
Certification	NSF 61 Approved (EPDM)
Liquid Temp Range	-4°F to +180°F
Power Supply	1~ 230v, 3~ 208-230v, 3~ 460v, 3~ 575v
Ambient temperature	+5°F to +104°F
System Connection	NPT
Max Operating Pressure	232/363 PSI
Protection Class	IP 55

Approval Stamp

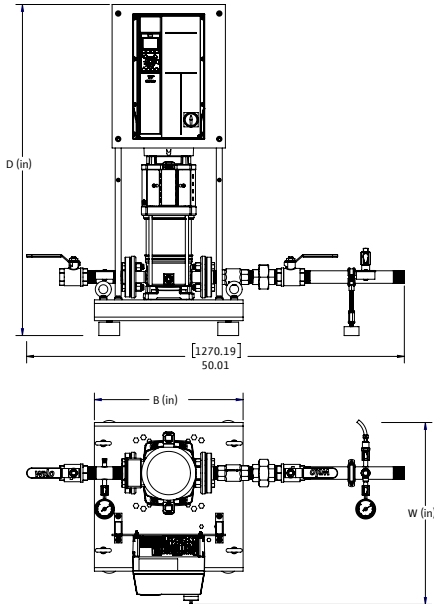
Submittal Data Sheet

Wilo Helix Complete – Vertical Multistage Pumps



Dimensions, Weights & Electrical Data

1~230V



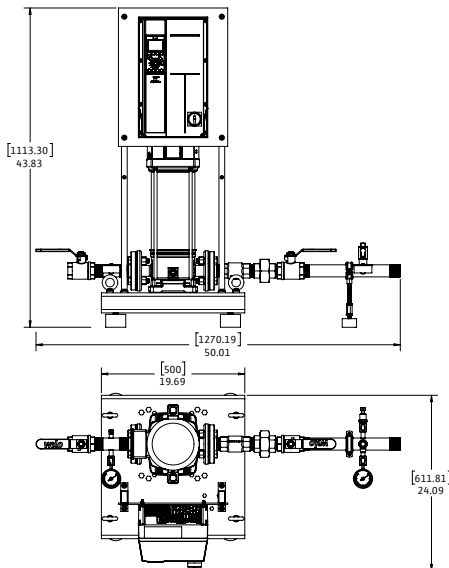
Dimensions and Weights

Model	P	B	F	W	D	Weight lbs
	Dimensions					
	in	in	in	in	in	
V10-05-1 DISC	34	20	20	24	44	200
V10-06-1	35	20	20	24	44	219
V10-07-1	36	20	20	24	44	221
V10-08-1	37	20	20	24	44	223
V10-09-1	39	32	32	34	68	341
V10-10-1	40	32	32	34	68	335
V10-11-1	41	32	32	34	68	337
V10-12-1	42	32	32	34	68	351
V10-13-1	44	32	32	34	68	354
V10-14-1	44	32	32	34	68	355
V10-16-1	46	32	32	34	68	357
V10-18-1	52	32	32	34	68	389
V10-20-1	54	32	32	34	68	391
V10-22-1	58	32	32	34	68	393

TEFC Motor Data

1-230V	
P2	FLA
[HP]	[A]
1	3.0-2.8
1.5	4.0-3.8
1.5	4.0-3.8
1.5	4.0-3.8
2	5.3-5.0
2	5.3-5.0
2	5.3-5.0
3	7.9-7.2
3	7.9-7.2
3	7.9-7.2
5	12-11.8
5	12-11.8
5	12-11.8

3~208-230V



Dimensions and Weights

Model	P	B	F	W	D	Weight lbs
	Dimensions					
	in	in	in	in	in	
V10-05-1 DISC	34	20	24	44	204	209
V10-06-1	35	20	24	44	214	219
V10-07-1	36	20	24	44	216	221
V10-08-1	37	20	24	44	218	223
V10-09-1	39	20	24	44	226	231
V10-10-1	40	20	24	44	220	225
V10-11-1	41	20	24	44	222	227
V10-12-1	42	20	24	44	236	241
V10-13-1	44	20	24	44	239	244
V10-14-1	44	20	24	44	240	245
V10-16-1	46	20	24	44	242	247
V10-18-1	52	20	24	44	274	279
V10-20-1	54	20	24	44	276	281
V10-22-1	58	20	24	44	278	283

TEFC Motor Data

3-208-230V	
P2	FLA
[HP]	[A]
1	3.0-2.8
1.5	4.0-3.8
1.5	4.0-3.8
1.5	4.0-3.8
2	5.3-5.0
2	5.3-5.0
2	5.3-5.0
3	7.9-7.2
3	7.9-7.2
3	7.9-7.2
5	12-11.8
5	12-11.8
5	12-11.8

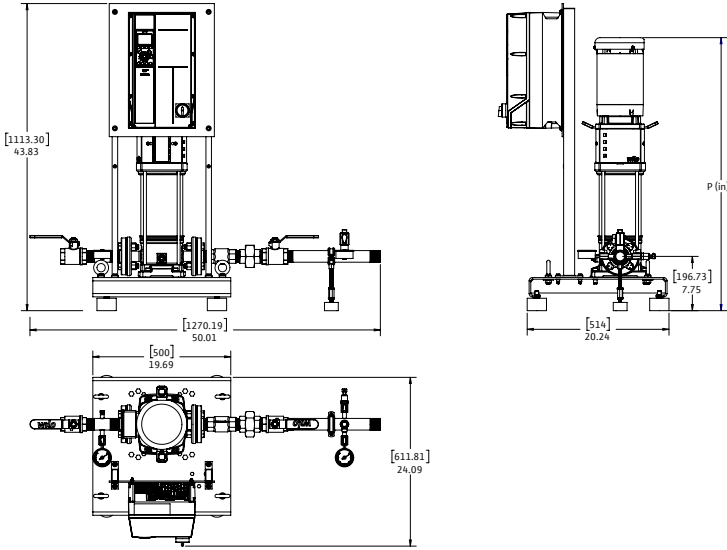
Submittal Data Sheet

Wilo Helix Complete – Vertical Multistage Pumps



Dimensions, Weights & Electrical Data

3~460V



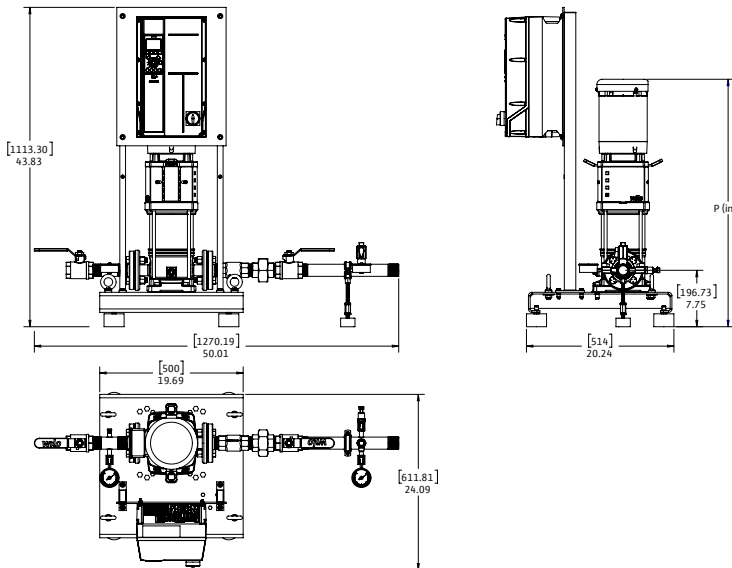
Dimensions and Weights

Model	P	B	F	W	D	
	Dimensions					Weight
	in	in	in	in	in	lbs
V10-05-1 DISC	34	20	24	44	204	200
V10-06-1	35	20	24	44	214	219
V10-07-1	36	20	24	44	216	221
V10-08-1	37	20	24	44	218	223
V10-09-1	39	20	24	44	226	341
V10-10-1	40	20	24	44	220	335
V10-11-1	41	20	24	44	222	337
V10-12-1	42	20	24	44	236	351
V10-13-1	44	20	24	44	239	354
V10-14-1	44	20	24	44	240	355
V10-16-1	46	20	24	44	242	357
V10-18-1	52	20	24	44	274	389
V10-20-1	54	20	24	44	276	391
V10-22-1	58	20	24	44	278	393

TEFC Motor Data

3~460V	
P2	FLA
[HP]	[A]
1	1.4
1.5	1.87
1.5	1.87
1.5	1.87
2	2.5
2	2.5
2	2.5
3	3.6
3	3.6
3	3.6
5	5.9
5	5.9
5	5.9

3~575V



Dimensions and Weights

Model	P	B	F	W	D	
	Dimensions					Weight
	in	in	in	in	in	lbs
V10-05-1 DISC	34	20	20	24	44	204
V10-06-1	35	20	20	24	44	214
V10-07-1	36	20	20	24	44	216
V10-08-1	37	20	20	24	44	218
V10-09-1	39	20	20	24	44	226
V10-10-1	40	20	20	24	44	220
V10-11-1	41	20	20	24	44	222
V10-12-1	42	20	20	24	44	236
V10-13-1	44	20	20	24	44	239
V10-14-1	44	20	20	24	44	240
V10-16-1	46	20	20	24	44	242
V10-18-1	52	20	20	24	44	274
V10-20-1	54	20	20	24	44	276
V10-22-1	58	20	20	24	44	278

TEFC Motor Data

3~575V	
P2	FLA
[HP]	[A]
1	1.1
1.5	1.5
1.5	1.5
1.5	1.5
2	2
2	2
2	2
3	2.9
3	2.9
3	2.9
5	4.7
5	4.7
5	4.7