

Submittal Data Sheet

Wilco Helix Complete- Vertical Multistage Pumps

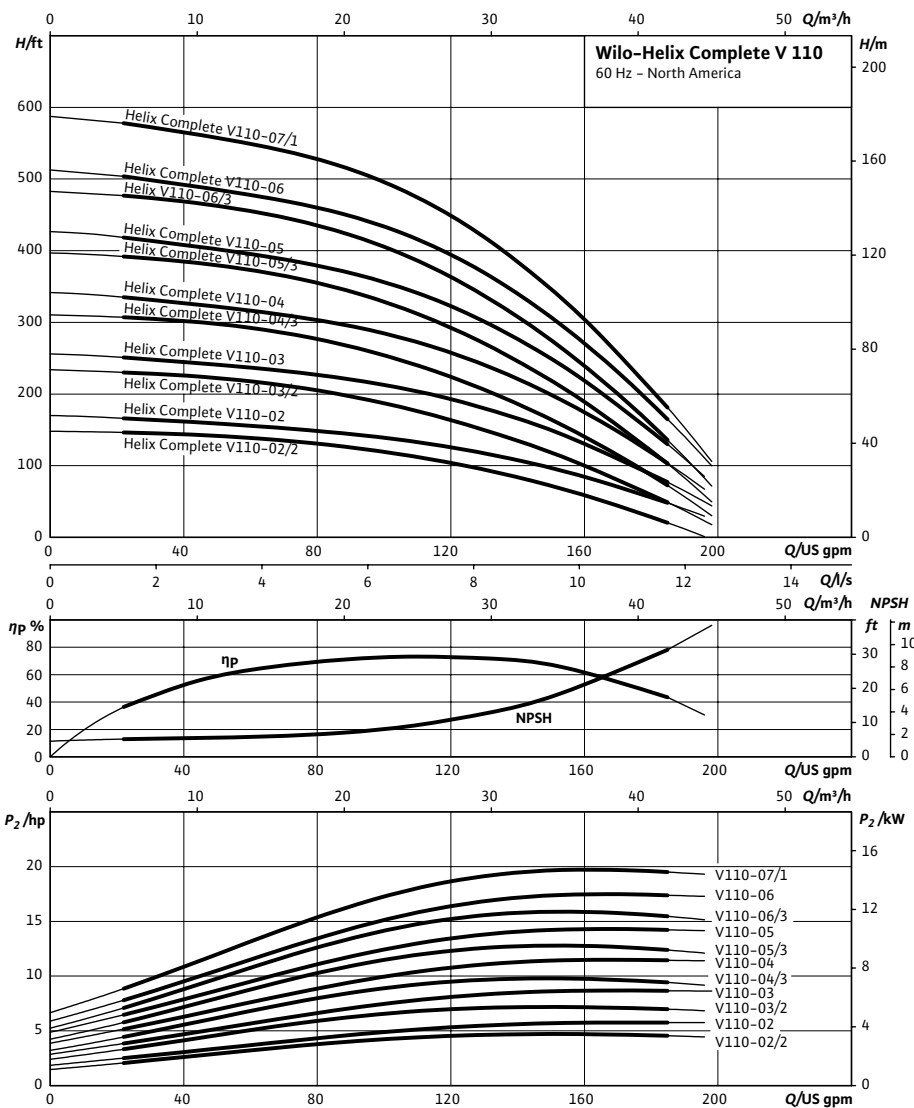


Wilco Helix Complete V 110 DISC (304 SS - EPDM)



Project:	
Engineer:	
Contractor:	
Submitted By:	Date:
Approved By:	Date:

Tag #	Model #	Flow	Head	HP	Cycle	Phase	Voltage	RPM
	Helix Complete V110 DISC				60HZ			



Applications

- Water supply & pressure boosting
- Industrial circulation systems
- Cooling water circulation systems
- Process water
- Washing systems
- Irrigation

Materials of Construction

Pump Volute	Stainless steel AISI 304
Impeller, Housing, Diffusers	Stainless steel AISI 304L
Shaft	Stainless steel AISI 431
Shaft Sleeve	Stainless steel AISI 316L
Baseplate & Lantern	Cast iron cataphoresis coated ASTM A 48 Class 35/40
Flanges	Cast iron cataphoresis, coated Grey Cast Iron ASTM A 48 Class 35/40
O-ring	EPDM (FKM gasket upon request)
Jacket Pipe	Stainless steel AISI 304

Technical Data

Certification	NSF 61 Approved (EPDM)
Liquid Temp Range	-4°F to +180°F
Power Supply	3- 208-230v, 3- 460v, 3- 575v
Ambient temperature	+5°F to +104°F
System Connection	ANSI CLASS 150
Max Operating Pressure	232 PSI
Protection Class	IP 55

Approval Stamp

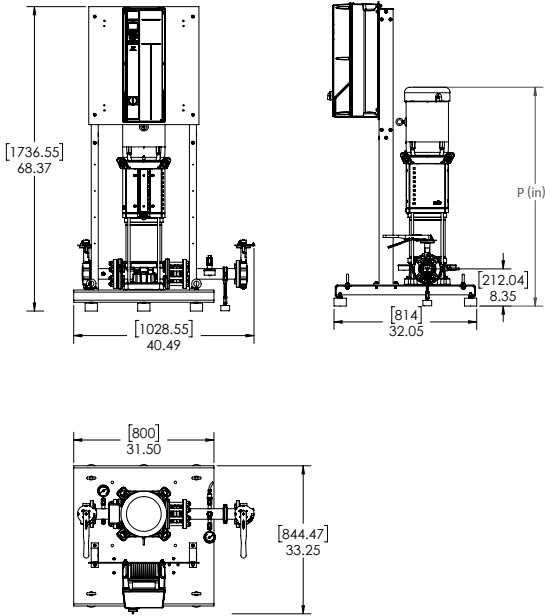
Submittal Data Sheet

Wilo Helix Complete – Vertical Multistage Pumps



Dimensions, Weights & Electrical Data

1~230V



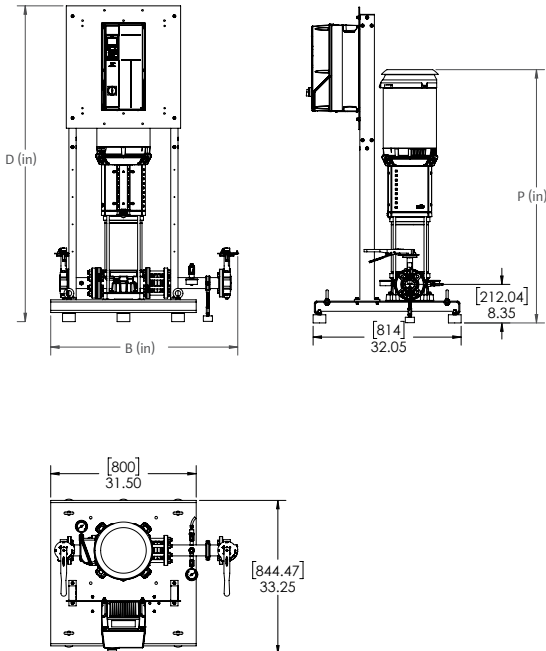
Dimensions and Weights

Model	P	B	F	W	D	Weight lbs
	in	in	in	in	in	
V110-02/2-1 DISC	39	32	32	34	68	491
V110-02-1	45	32	32	34	68	532
V110-03/2-1	47	32	32	34	68	541
V110-03-1	47	32	32	34	68	581
V110-04/3-1	49	32	32	34	68	583

TEFC Motor Data

1-230V	
P2	FLA
[HP]	[A]
5	12-11.8
7.5	17.2-16.2
7.5	17.2-16.2
10	24.8-24.2
10	24.8-24.2

3~208-230V



Dimensions and Weights

Model	P	B	F	W	D	Weight lbs
	in	in	in	in	in	
V110-02/2-1 DISC	39	32	32	33	44	428
V110-02-1	45	32	32	33	68	532
V110-03/2-1	47	32	32	33	68	541
V110-03-1	47	32	32	33	68	572
V110-04/3-1	49	32	32	33	68	574
V110-04-1	53	32	32	33	68	617
V110-05/3-1	55	32	32	33	68	628
V110-05-1	55	32	32	33	68	621
V110-06/3-1	56	32	32	33	68	700
V110-06-1	56	32	32	33	68	702

TEFC Motor Data

3-208-230V	
P2	FLA
[HP]	[A]
5	12-11.8
7.5	17.2-16.2
7.5	17.2-16.2
10	24.8-24.2
10	24.8-24.2
15	38.5-34.8
15	38.5-34.8
15	38.5-34.8
20	50.0-46.0
20	50.0-46.0

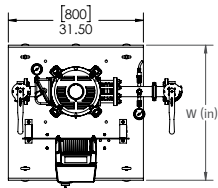
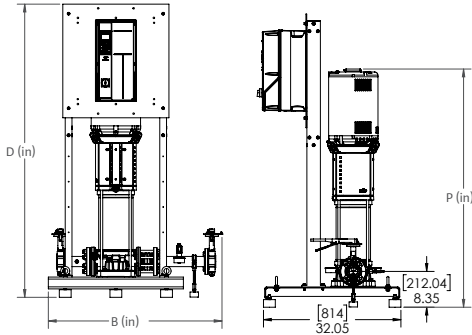
Submittal Data Sheet

Wilo Helix Complete – Vertical Multistage Pumps

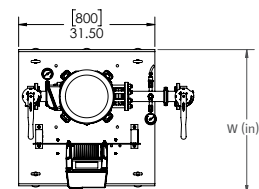
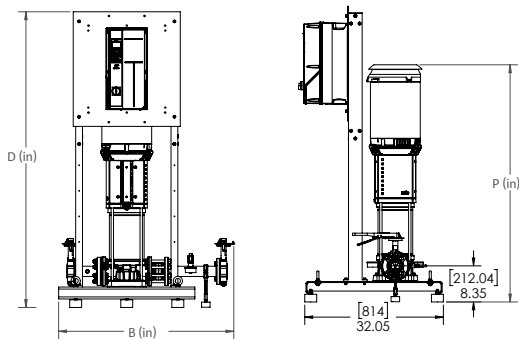


Dimensions, Weights & Electrical Data

3~460V



3~575V



Dimensions and Weights

Model	P	B	F	W	D	Weight lbs
	Dimensions					
	in	in	in	in	in	
V110-02/2-1 DISC	39	32	32	33	44	428
V110-02-1	45	32	32	33	44	469
V110-03/2-1	47	32	32	33	44	478
V110-03-1	47	32	32	33	44	509
V110-04/3-1	49	32	32	33	44	511
V110-04-1	53	32	32	34	68	617
V110-05/3-1	55	32	32	34	68	628
V110-05-1	55	32	32	34	68	621
V110-06/3-1	56	32	32	34	68	691
V110-06-1	56	32	32	34	68	693

TEFC Motor Data

3~460V	
P2	FLA
[HP]	[A]
5	5.9
7.5	8.1
7.5	8.1
10	12.1
10	12.1
15	17.4
15	17.4
15	17.4
20	23
20	23

Dimensions and Weights

Model	P	B	F	W	D	Weight lbs
	Dimensions					
	in	in	in	in	in	
V110-02/2-1 DISC	39	32	32	33	44	428
V110-02-1	45	32	32	33	44	469
V110-03/2-1	47	32	32	33	44	478
V110-03-1	47	32	32	33	44	509
V110-04/3-1	49	32	32	33	44	511
V110-04-1	53	32	32	34	68	617
V110-05/3-1	55	32	32	34	68	628
V110-05-1	55	32	32	34	68	621
V110-06/3-1	56	32	32	34	68	691
V110-06-1	56	32	32	34	68	693

TEFC Motor Data

3~575V	
P2	FLA
[HP]	[A]
5	4.7
7.5	6.8
7.5	6.8
10	9.5
10	9.5
15	13.9
15	13.9
15	13.9
20	18.2
20	18.2