

# Submittal Data Sheet

## Wilo Helix Complete- Vertical Multistage Pumps

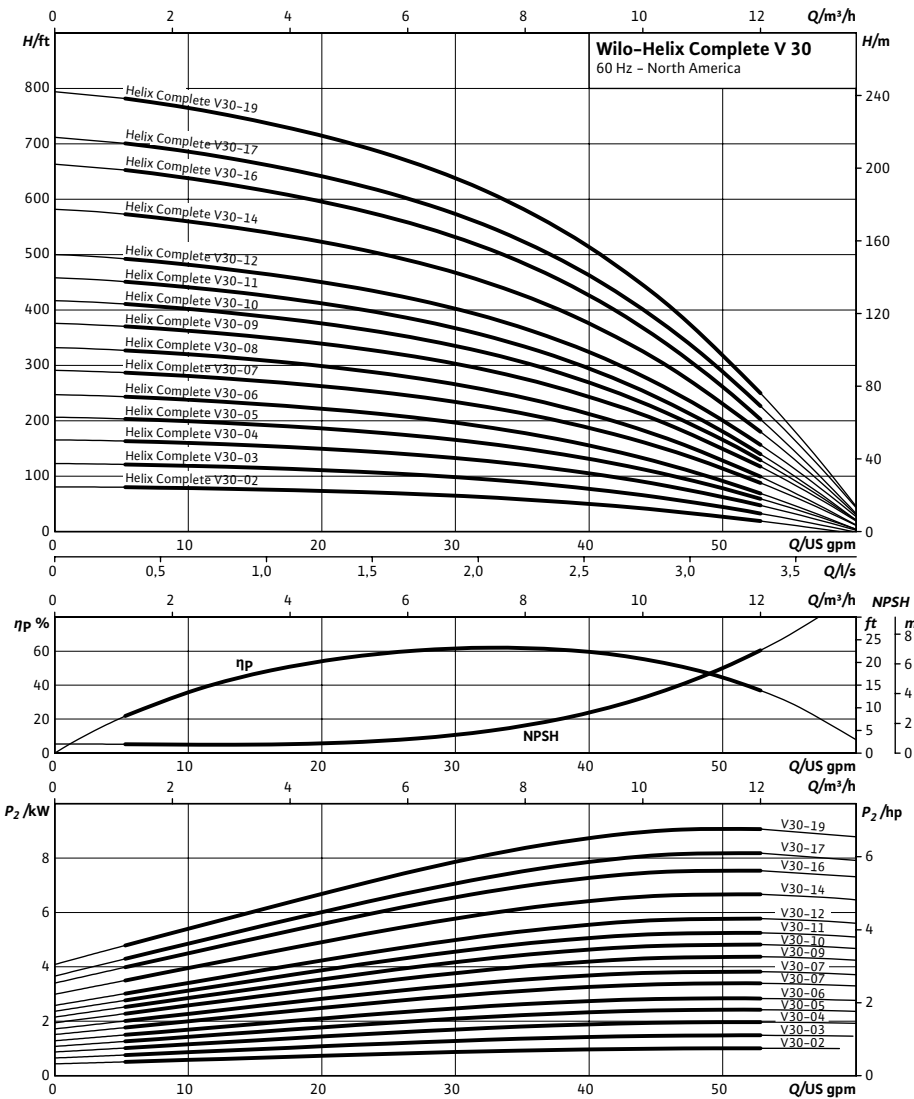


### Wilo Helix Complete V 30 DISC (304 SS - EPDM)



Project:	
Engineer:	
Contractor:	
Submitted By:	Date:
Approved By:	Date:

Tag #	Model #	Flow	Head	HP	Cycle	Phase	Voltage	RPM
	Helix Complete V30 DISC				60HZ			



Applications	
• Water supply & pressure boosting	• Industrial circulation systems
• Cooling water circulation systems	• Process water
• Washing systems	• Irrigation

Materials of Construction	
Pump volute, flanges, impeller, stage housing, diffusers	Stainless steel AISI 304
Shaft	Stainless steel AISI 304 or AISI 316LN (Depending on version)
Shaft sleeve	Stainless Steel AISI 316L
Baseplate & lantern	Cast Iron Cataphoresis Coated ASTM A 48 Class 35/40
O-ring	EPDM (FKM upon request)
Jacket pipe	Stainless Steel AISI 304

Technical Data	
Certification	NSF 61 Approved (EPDM)
Liquid Temp Range	-4°F to +180°F
Power Supply	1~230v, 3~ 208-230v, 3~ 460v, 3~ 575v
Ambient temperature	+5°F to +104°F
System Connection	NPT
Max Operating Pressure	232/363 PSI
Protection Class	IP 55

Approval Stamp

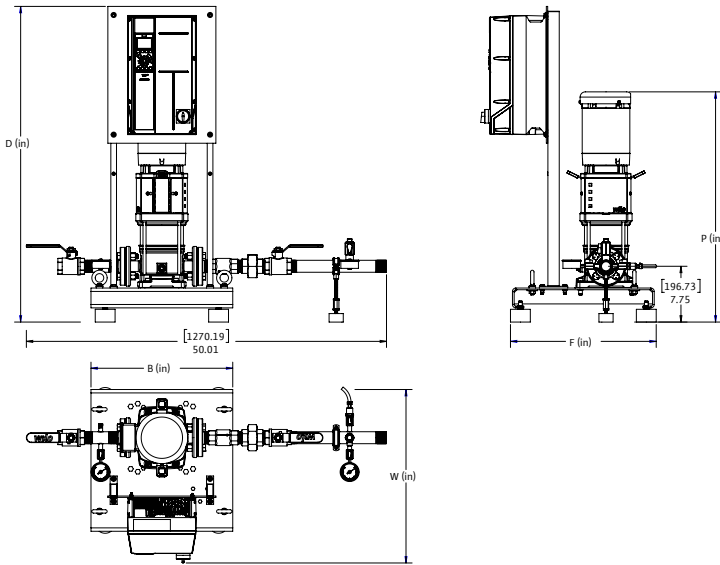
# Submittal Data Sheet

Wilo Helix Complete – Vertical Multistage Pumps



## Dimensions, Weights & Electrical Data

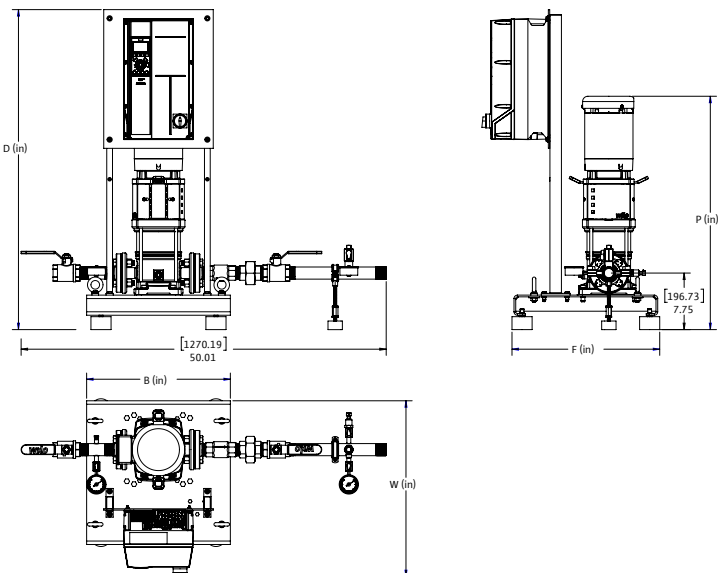
### 1~230V



#### Dimensions and Weights

Model	P	B	F	W	D	TEFC Motor Data		
	Dimensions					Weight	1-230V	
	in	in	in	in	in	lbs	P2 [HP]	FLA [A]
V30-02-1 DISC	32	20	20	24	44	210	1	3.0-2.8
V30-03-1	34	20	20	24	44	218	1.5	4.0-3.8
V30-04-1	36	32	32	34	68	337	2	5.3-5.0
V30-05-1	39	32	32	34	68	351	3	7.9-7.2
V30-06-1	40	32	32	34	68	356	3	7.9-7.2
V30-07-1	45	32	32	34	68	376	5	12-11.8
V30-08-1	46	32	32	34	68	379	5	12-11.8
V30-09-1	48	32	32	34	68	377	5	12-11.8
V30-10-1	49	32	32	34	68	380	5	12-11.8
V30-11-1	52	32	32	34	68	383	5	12-11.8
V30-12-1	57	32	32	34	68	423	7.5	17.2-16.2
V30-14-1	60	32	32	34	68	427	7.5	17.2-16.2
V20-16-1	63	32	32	34	68	431	7.5	17.2-16.2
V20-17-1	66	32	32	34	68	515	10	24.8-24.2
V20-19-1	69	32	32	34	68	521	10	24.8-24.2

### 3~208-230V



#### Dimensions and Weights

Model	P	B	F	W	D	TEFC Motor Data		
	Dimensions					Weight	3-208/230V	
	in	in	in	in	in	lbs	P2 [HP]	FLA [A]
V30-02-1 DISC	32	20	20	24	44	214	1	3.0-2.8
V30-03-1	34	20	20	24	44	218	1.5	4.0-3.8
V30-04-1	36	20	20	24	44	222	2	5.3-5.0
V30-05-1	39	20	20	24	44	236	3	7.9-7.2
V30-06-1	40	20	20	24	44	241	3	7.9-7.2
V30-07-1	45	20	20	24	44	261	5	12-11.8
V30-08-1	46	20	20	24	44	264	5	12-11.8
V30-09-1	48	20	20	24	44	262	5	12-11.8
V30-10-1	49	20	20	24	44	265	5	12-11.8
V30-11-1	52	20	20	24	44	268	5	12-11.8
V30-12-1	57	32	32	34	68	423	7.5	17.2-16.2
V30-14-1	60	32	32	34	68	427	7.5	17.2-16.2
V20-16-1	63	32	32	34	68	431	7.5	17.2-16.2
V20-17-1	66	32	32	34	68	506	10	24.8-24.2
V20-19-1	69	32	32	34	68	512	10	24.8-24.2

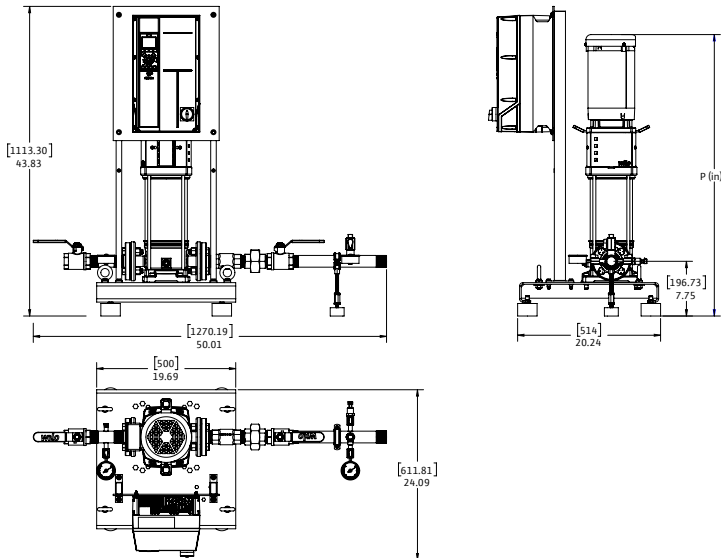
# Submittal Data Sheet

Wilo Helix Complete – Vertical Multistage Pumps



## Dimensions, Weights & Electrical Data

### 3~460V



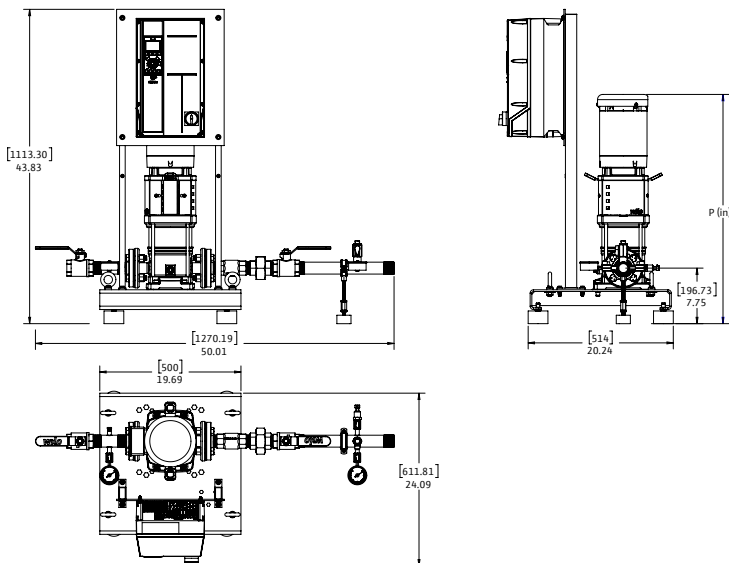
#### Dimensions and Weights

Model	P	B	F	W	D	Weight lbs
	Dimensions					
	in	in	in	in	in	
V30-02-1 DISC	32	20	20	24	44	214
V30-03-1	34	20	20	24	44	218
V30-04-1	36	20	20	24	44	222
V30-05-1	39	20	20	24	44	236
V30-06-1	40	20	20	24	44	241
V30-07-1	45	20	20	24	44	261
V30-08-1	46	20	20	24	44	264
V30-09-1	48	20	20	24	44	262
V30-10-1	49	20	20	24	44	265
V30-11-1	52	20	20	24	44	268
V30-12-1	57	20	20	24	44	308
V30-14-1	60	20	20	24	44	312
V20-16-1	63	20	20	24	44	316
V20-17-1	66	20	20	24	44	391
V20-19-1	69	20	20	24	44	397

#### TEFC Motor Data

1-230V	
P2 [HP]	FLA [A]
1	1.4
1.5	1.87
2	2.5
3	3.6
3	3.6
5	5.9
5	5.9
5	5.9
5	5.9
7.5	8.1
7.5	8.1
7.5	8.1
10	12.1
10	12.1

### 3~575V



#### Dimensions and Weights

Model	P	B	F	W	D	Weight lbs
	Dimensions					
	in	in	in	in	in	
V30-02-1 DISC	32	20	20	24	44	214
V30-03-1	34	20	20	24	44	218
V30-04-1	36	20	20	24	44	222
V30-05-1	39	20	20	24	44	236
V30-06-1	40	20	20	24	44	241
V30-07-1	45	20	20	24	44	261
V30-08-1	46	20	20	24	44	264
V30-09-1	48	20	20	24	44	262
V30-10-1	49	20	20	24	44	265
V30-11-1	52	20	20	24	44	268
V30-12-1	57	20	20	24	44	308
V30-14-1	60	20	20	24	44	312
V20-16-1	63	20	20	24	44	316
V20-17-1	66	20	20	24	44	391
V20-19-1	69	20	20	24	44	397

#### TEFC Motor Data

1-230V	
P2 [HP]	FLA [A]
1	1.1
1.5	1.5
2	2
3	2.9
3	2.9
5	4.7
5	4.7
5	4.7
5	4.7
7.5	6.8
7.5	6.8
7.5	6.8
10	9.5
10	9.5