

# Submittal Data Sheet

## Wilo Helix Complete- Vertical Multistage Pumps

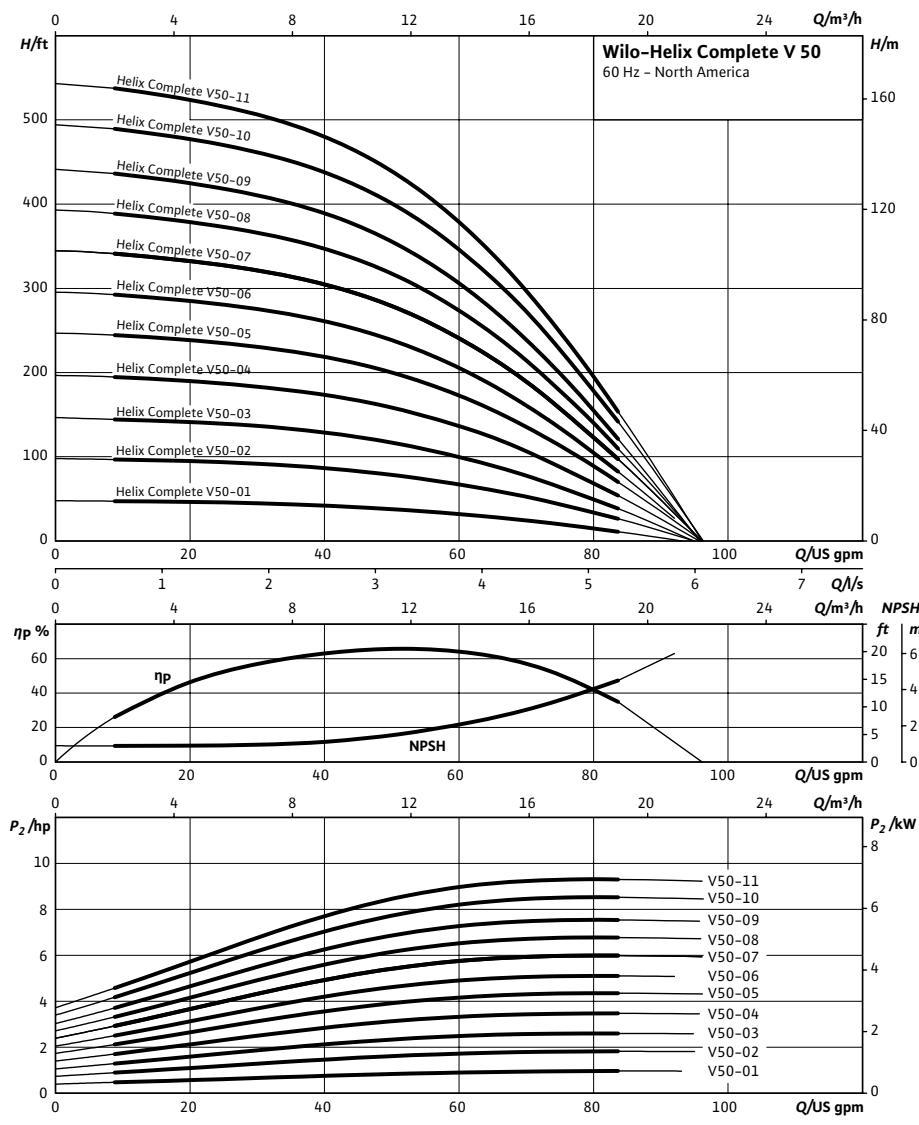


### Wilo Helix Complete V 50 DISC (304 SS - EPDM)



Project:			
Engineer:			
Contractor:			
Submitted By:		Date:	
Approved By:		Date:	

Tag #	Model #	Flow	Head	HP	Cycle	Phase	Voltage	RPM
	Helix Complete V50 DISC				60HZ			



Applications	
• Water supply & pressure boosting	• Industrial circulation systems
• Cooling water circulation systems	• Process water
• Washing systems	• Irrigation

Materials of Construction	
Pump volute, flanges, impeller, stage housing, diffusers	Stainless steel AISI 304
Shaft	Stainless steel AISI 304 or AISI 318LN (Depending on version)
Shaft sleeve	Stainless Steel AISI 316L
Baseplate & lantern	Cast Iron Cataphoresis Coated ASTM A 48 Class 35/40
O-ring	EPDM (FKM upon request)
Jacket pipe	Stainless Steel AISI 304

Technical Data	
Certification	NSF 61 Approved (EPDM)
Liquid Temp Range	-4°F to +180°F
Power Supply	1~230v, 3~ 208-230v, 3~ 460v, 3~ 575v
Ambient temperature	+5°F to +104°F
System Connection	ANSI CLASS 150
Max Operating Pressure	232 PSI
Protection Class	IP 55

Approval Stamp

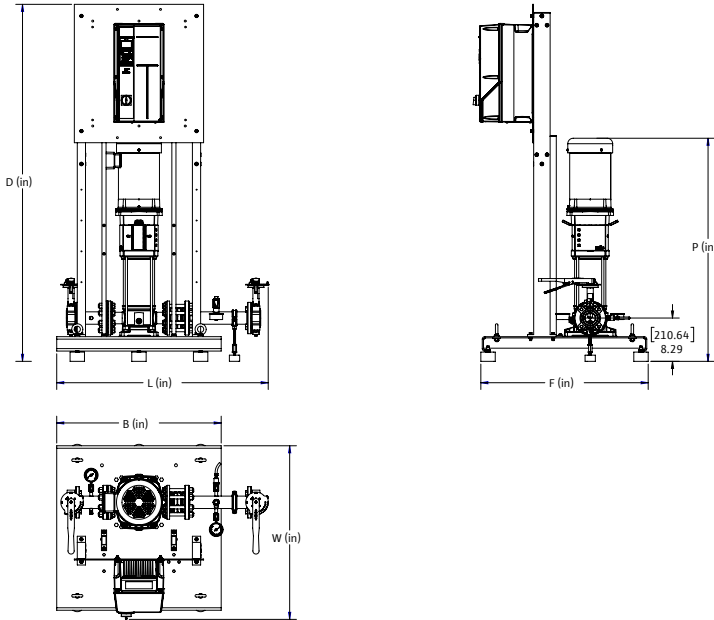
# Submittal Data Sheet

Wilo Helix Complete – Vertical Multistage Pumps



## Dimensions, Weights & Electrical Data

### 1~230V



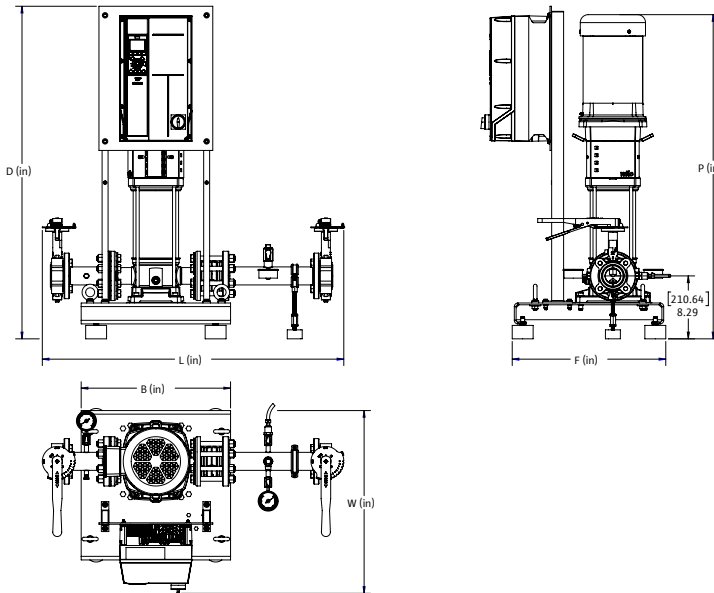
#### Dimensions and Weights

Model	P	B	F	W	D	Weight lbs
	Dimensions					
	in	in	in	in	in	
V50-01-1 DISC	32	20	20	22	44	258
V50-02-1	33	32	32	34	68	382
V50-03-1	36	32	32	34	68	391
V50-04-1	40	32	32	34	68	425
V50-05-1	41	32	32	34	68	427
V50-06-1	43	32	32	34	68	427
V50-07-1	50	32	32	34	68	477
V50-08-1	51	32	32	34	68	479
V50-09-1	53	32	32	34	68	483
V50-10-1	54	32	32	34	68	521
V50-11-1	57	32	32	34	68	526

#### TEFC Motor Data

1-230V	
P2	FLA
[HP]	[A]
1	3.0-2.8
2	5.3-5.0
3	7.9-7.2
5	12-11.8
5	12-11.8
5	12-11.8
7.5	17.2-16.2
7.5	17.2-16.2
7.5	17.2-16.2
10	24.8-24.2
10	24.8-24.2

### 3~208-230V



#### Dimensions and Weights

Model	P	B	F	W	D	Weight lbs
	Dimensions					
	in	in	in	in	in	
V50-01-1 DISC	32	20	20	24	44	258
V50-02-1	33	20	20	24	44	268
V50-03-1	36	20	20	24	44	277
V50-04-1	40	20	20	24	44	311
V50-05-1	41	20	20	24	44	313
V50-06-1	43	20	20	24	44	313
V50-07-1	50	32	32	34	68	477
V50-08-1	51	32	32	34	68	479
V50-09-1	53	32	32	34	68	483
V50-10-1	54	32	32	34	68	512
V50-11-1	57	32	32	34	68	517

#### TEFC Motor Data

3-208-230V	
P2	FLA
[HP]	[A]
1	3.0-2.8
2	5.3-5.0
3	7.9-7.2
5	12-11.8
5	12-11.8
5	12-11.8
7.5	17.2-16.2
7.5	17.2-16.2
7.5	17.2-16.2
10	24.8-24.2
10	24.8-24.2

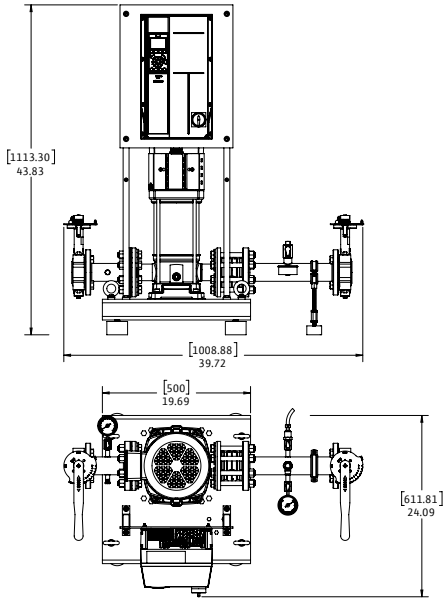
# Submittal Data Sheet

## Wilo Helix Complete – Vertical Multistage Pumps



### Dimensions, Weights & Electrical Data

#### 3~460V



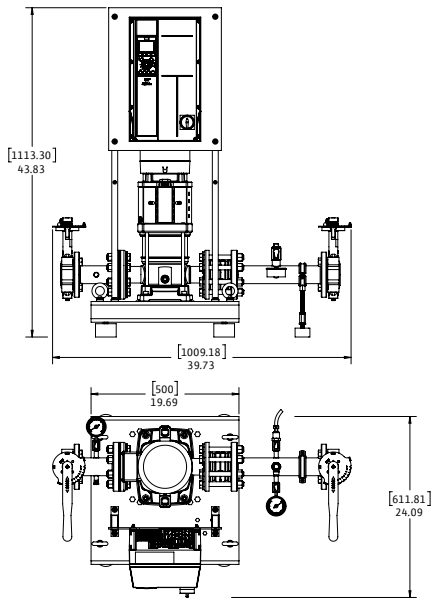
#### Dimensions and Weights

Model	P	B	F	W	D	Weight lbs
	Dimensions					
	in	in	in	in	in	
V50-01-1 DISC	32	20	20	24	44	258
V50-02-1	33	20	20	24	44	268
V50-03-1	36	20	20	24	44	277
V50-04-1	40	20	20	24	44	311
V50-05-1	41	20	20	24	44	313
V50-06-1	43	20	20	24	44	313
V50-07-1	50	20	20	24	44	363
V50-08-1	51	20	20	24	44	365
V50-09-1	53	20	20	24	44	369
V50-10-1	54	20	20	24	44	398
V50-11-1	57	20	20	24	44	403

#### TEFC Motor Data

3~460V	
P2	FLA
[HP]	[A]
1	1.4
2	2.5
3	3.6
5	5.9
5	5.9
5	5.9
7.5	8.1
7.5	8.1
7.5	8.1
10	12.1
10	12.1

#### 3~575V



#### Dimensions and Weights

Model	P	B	F	W	D	Weight lbs
	Dimensions					
	in	in	in	in	in	
V50-01-1 DISC	32	20	20	24	44	258
V50-02-1	33	20	20	24	44	268
V50-03-1	36	20	20	24	44	277
V50-04-1	40	20	20	24	44	311
V50-05-1	41	20	20	24	44	313
V50-06-1	43	20	20	24	44	313
V50-07-1	50	20	20	24	44	363
V50-08-1	51	20	20	24	44	365
V50-09-1	53	20	20	24	44	369
V50-10-1	54	20	20	24	44	398
V50-11-1	57	20	20	24	44	403

#### TEFC Motor Data

3~575V	
P2	FLA
[HP]	[A]
1	1.1
2	2
3	2.9
5	4.7
5	4.7
5	4.7
7.5	6.8
7.5	6.8
7.5	6.8
10	9.5
10	9.5