

Submittal Data Sheet

Wilo Helix Complete- Vertical Multistage Pumps

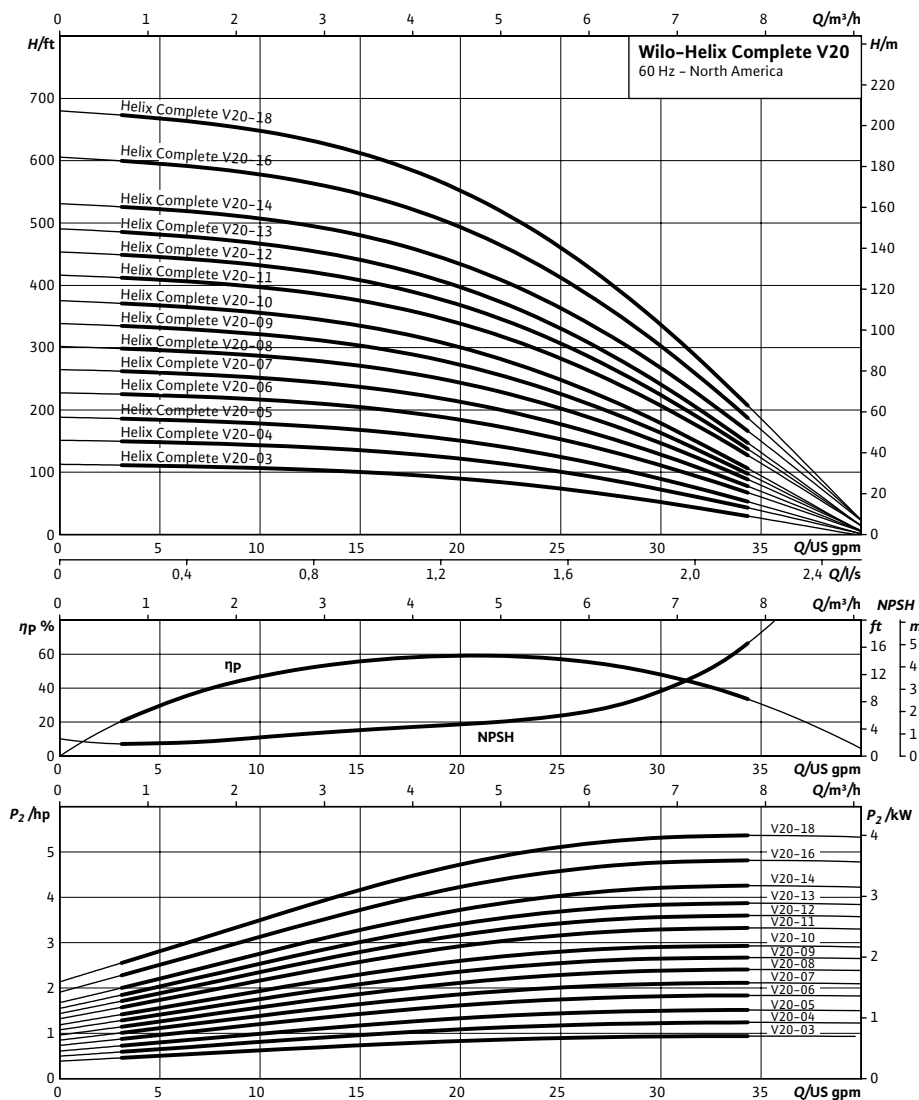


Wilo Helix Complete V 20 DISC (304 SS - EPDM)



Project:								
Engineer:								
Contractor:								
Submitted By:					Date:			
Approved By:					Date:			

Tag #	Model #	Flow	Head	HP	Cycle	Phase	Voltage	RPM
	Helix Complete V20 DISC				60HZ			



Applications	
• Water supply & pressure boosting	• Industrial circulation systems
• Cooling water circulation systems	• Process water
• Washing systems	• Irrigation

Materials of Construction	
Pump volute, flanges, impeller, stage housing, diffusers	Stainless steel AISI 304
Shaft	Stainless steel AISI 304 or AISI 318LN (Depending on version)
Shaft sleeve	Stainless Steel AISI 316L
Baseplate & lantern	Cast Iron Cataphoresis Coated ASTM A 48 Class 35/40
O-ring	EPDM (FKM upon request)
Jacket pipe	Stainless Steel AISI 304

Technical Data	
Certification	NSF 61 Approved (EPDM)
Liquid Temp Range	-4°F to +180°F
Power Supply	1~230v, 3~ 208-230v, 3~ 460v, 3~ 575v
Ambient temperature	+5°F to +104°F
System Connection	NPT
Max Operating Pressure	232/363 PSI
Protection Class	IP 55

Approval Stamp

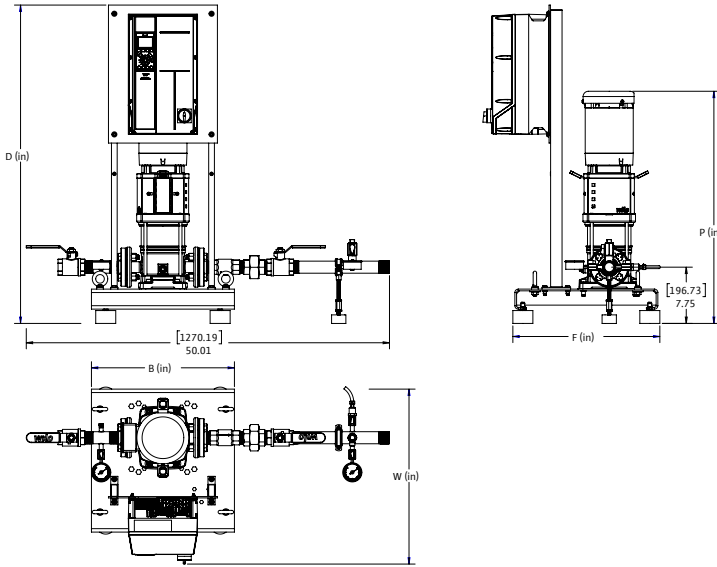
Submittal Data Sheet

Wilo Helix Complete – Vertical Multistage Pumps



Dimensions, Weights & Electrical Data

1~230V



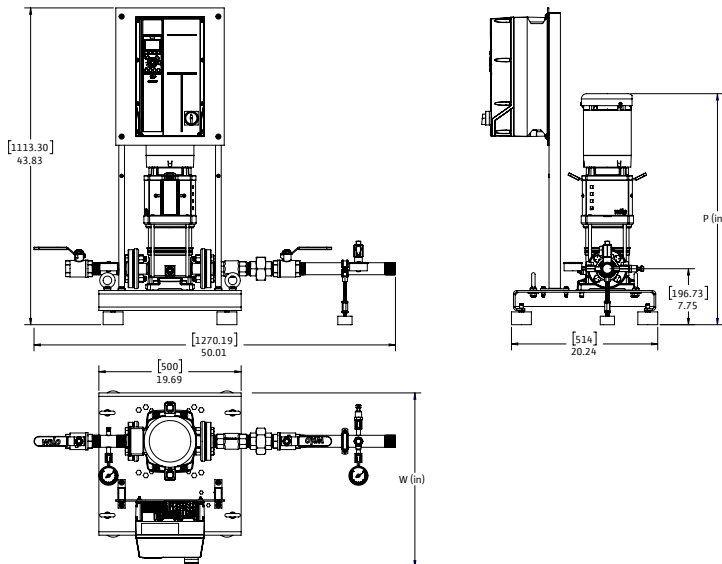
Dimensions and Weights

Model	P	B	F	W	D	Weight lbs
	Dimensions in					
V20-03-1 DISC	32	20	20	24	44	204
V20-04-1	33	20	20	24	44	216
V20-05-1	34	20	20	24	44	218
V20-06-1	36	32	32	34	68	336
V20-07-1	37	32	32	34	68	357
V20-08-1	39	32	32	34	68	360
V20-09-1	40	32	32	34	68	361
V20-10-1	41	32	32	34	68	358
V20-11-1	45	32	32	34	68	381
V20-12-1	46	32	32	34	68	383
V20-13-1	48	32	32	34	68	388
V20-14-1	48	32	32	34	68	390
V20-16-1	50	32	32	34	68	395
V20-18-1	52	32	32	34	68	400

TEFC Motor Data

1~230V	
P2	FLA
[HP]	[A]
1	3.0-2.8
1.5	4.0-3.8
1.5	4.0-3.8
2	5.3-5.0
2	5.3-5.0
3	7.9-7.2
3	7.9-7.2
3	7.9-7.2
5	12-11.8
5	12-11.8
5	12-11.8
5	12-11.8
5	12-11.8
5	12-11.8

3~208-230V



Dimensions and Weights

Model	P	B	F	W	D	Weight lbs
	Dimensions in					
V20-03-1 DISC	32	20	20	24	44	208
V20-04-1	33	20	20	24	44	216
V20-05-1	34	20	20	24	44	218
V20-06-1	36	20	20	24	44	221
V20-07-1	37	20	20	24	44	242
V20-08-1	39	20	20	24	44	245
V20-09-1	40	20	20	24	44	246
V20-10-1	41	20	20	24	44	243
V20-11-1	45	20	20	24	44	266
V20-12-1	46	20	20	24	44	268
V20-13-1	48	20	20	24	44	273
V20-14-1	48	20	20	24	44	275
V20-16-1	50	20	20	24	44	280
V20-18-1	52	20	20	24	44	285

TEFC Motor Data

3~208-230V	
P2	FLA
[HP]	[A]
1	3.0-2.8
1.5	4.0-3.8
1.5	4.0-3.8
2	5.3-5.0
2	5.3-5.0
3	7.9-7.2
3	7.9-7.2
3	7.9-7.2
5	12-11.8
5	12-11.8
5	12-11.8
5	12-11.8
5	12-11.8

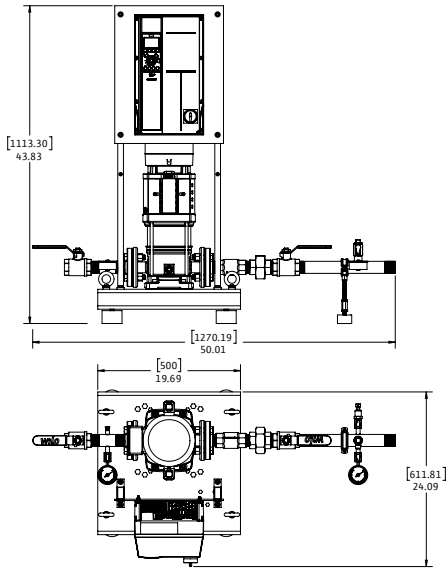
Submittal Data Sheet

Wilo Helix Complete – Vertical Multistage Pumps



Dimensions, Weights & Electrical Data

3~460V



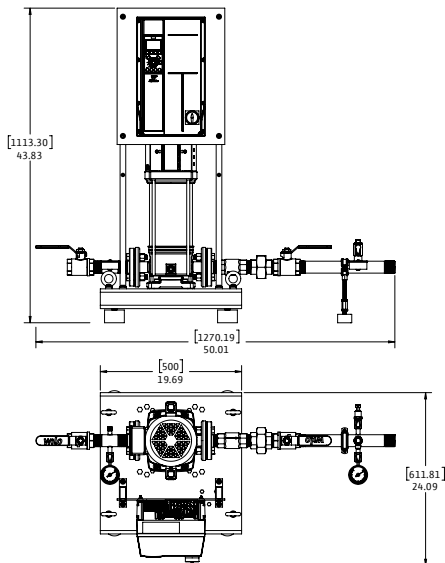
Dimensions and Weights

Model	P	B	F	W	D	Weight lbs
	Dimensions					
	in	in	in	in	in	
V20-03-1 DISC	32	20	20	24	44	208
V20-04-1	33	20	20	24	44	216
V20-05-1	34	20	20	24	44	218
V20-06-1	36	20	20	24	44	221
V20-07-1	37	20	20	24	44	242
V20-08-1	39	20	20	24	44	245
V20-09-1	40	20	20	24	44	246
V20-10-1	41	20	20	24	44	243
V20-11-1	45	20	20	24	44	266
V20-12-1	46	20	20	24	44	268
V20-13-1	48	20	20	24	44	273
V20-14-1	48	20	20	24	44	275
V20-16-1	50	20	20	24	44	280
V20-18-1	52	20	20	24	44	285

TEFC Motor Data

3~460V	
P2	FLA
[HP]	[A]
1	1.4
1.5	1.87
1.5	1.87
2	2.5
2	2.5
3	3.6
3	3.6
3	3.6
5	5.9
5	5.9
5	5.9
5	5.9
5	5.9
5	5.9

3~575V



Dimensions and Weights

Model	P	B	F	W	D	Weight lbs
	Dimensions					
	in	in	in	in	in	
V20-03-1 DISC	32	20	20	24	44	208
V20-04-1	33	20	20	24	44	216
V20-05-1	34	20	20	24	44	218
V20-06-1	36	20	20	24	44	221
V20-07-1	37	20	20	24	44	242
V20-08-1	39	20	20	24	44	245
V20-09-1	40	20	20	24	44	246
V20-10-1	41	20	20	24	44	243
V20-11-1	45	20	20	24	44	266
V20-12-1	46	20	20	24	44	268
V20-13-1	48	20	20	24	44	273
V20-14-1	48	20	20	24	44	275
V20-16-1	50	20	20	24	44	280
V20-18-1	52	20	20	24	44	285

TEFC Motor Data

3~575V	
P2	FLA
[HP]	[A]
1	1.1
1.5	1.5
1.5	1.5
2	2
2	2
3	2.9
3	2.9
3	2.9
5	4.7
5	4.7
5	4.7
5	4.7
5	4.7
5	4.7