

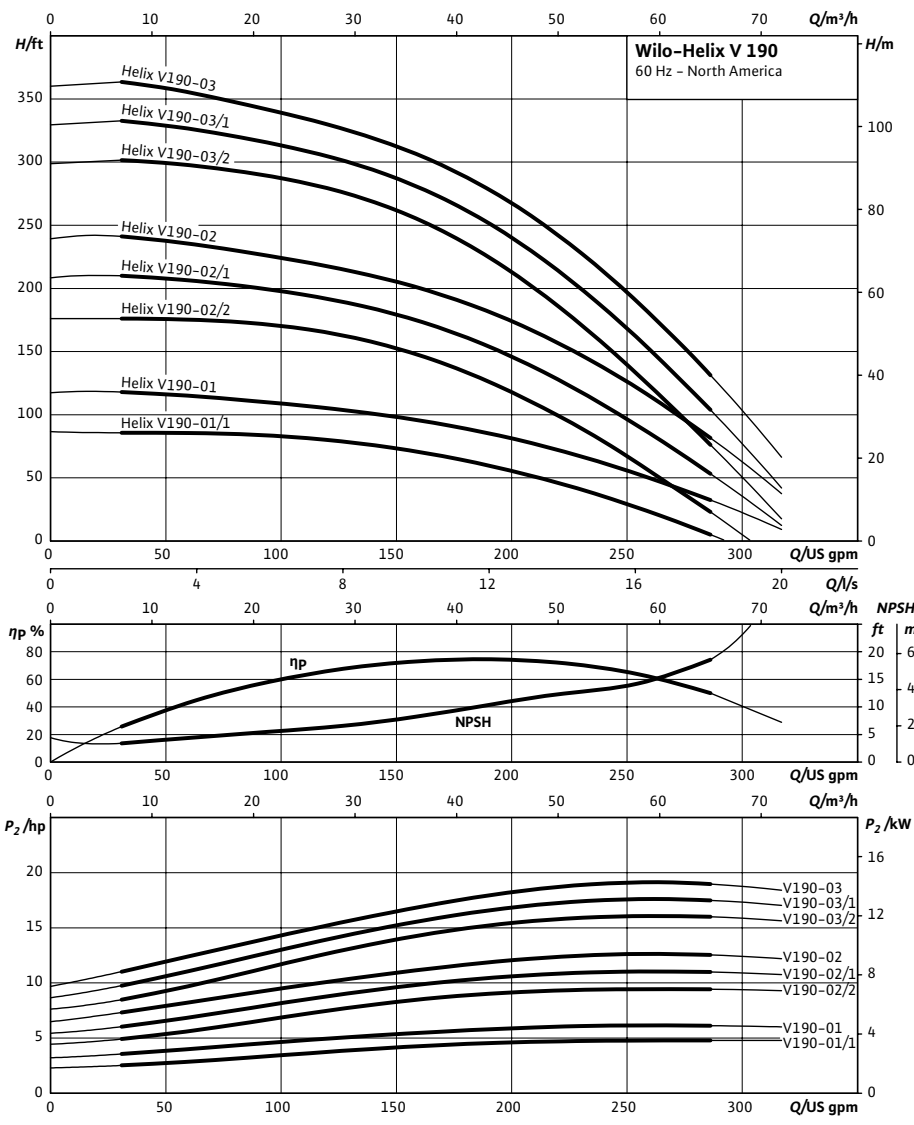
# Submittal Data Sheet

Vertical Multistage Pumps

## Wilo-Helix

	Project:	
	Engineer:	
	Contractor:	
	Submitted By:	Date:
	Approved By:	Date:

Tag #	Model #	Flow	Head	Volute	Control Mode	HP	Phase	Voltage
	Helix V 190						3	460



### Product Info

Brand	Wilo
Product Description	Helix V 190

### Technical Data

PEI	(See page 2)
Certification	NSF 61 Approved (EPDM)
Liquid Temp Range	-4°F to +248°F
Power Supply	3~ 208-230v, 3~ 460v, 3~ 575v
Ambient Temperature	+5°F to +104°F
Flange Connection	250# ANSI
Max Operating Pressure	232/363 PSI
Protection Class	IP 55

### Materials of Construction

Pump Volute	Stainless steel AISI 304
Impeller, Housing, Diffusers	Stainless steel AISI 304L
Shaft	Stainless steel AISI 431
Shaft Sleeve	Stainless steel AISI 316L
Baseplate & Lantern	Cast iron cataphoresis coated ASTM A 48 Class 35/40
Flanges	Cast iron cataphoresis, coated Grey Cast Iron ASTM A 48 Class 35/40
Mechanical Seal	BQ7EGG (Viton® upon request)
O-ring	EPDM (FKM gasket upon request)
Jacket Pipe	Stainless steel AISI 304

### Applications

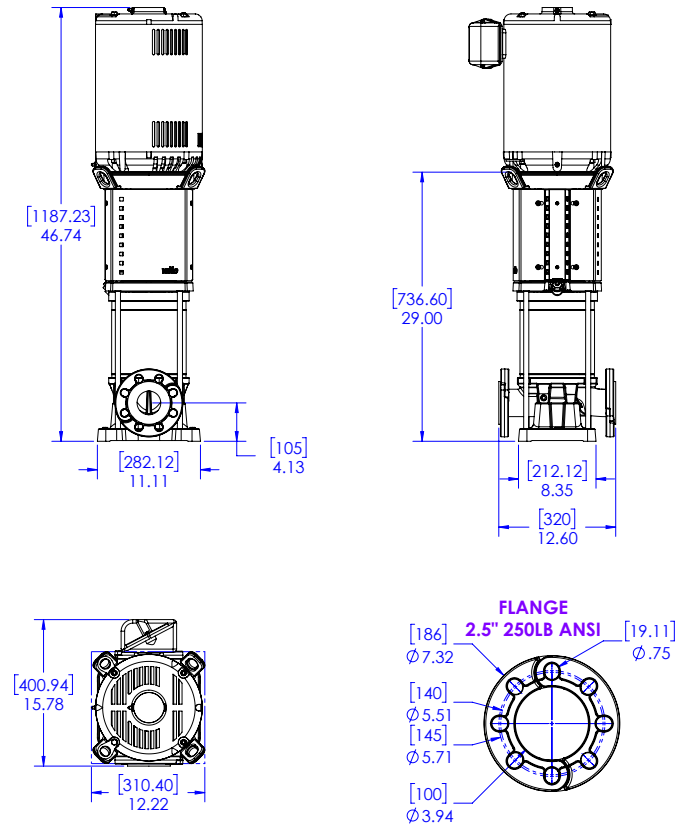
<ul style="list-style-type: none"> <li>Water supply &amp; pressure boosting</li> </ul>	<ul style="list-style-type: none"> <li>Industrial circulation systems</li> </ul>
<ul style="list-style-type: none"> <li>Cooling water circulation systems</li> </ul>	<ul style="list-style-type: none"> <li>Process water</li> </ul>
<ul style="list-style-type: none"> <li>Washing systems</li> </ul>	<ul style="list-style-type: none"> <li>Irrigation</li> </ul>

Approval Stamp

# Submittal Data Sheet

Vertical Multistage Pumps

## Wilo-Helix



### Dimensions and Weights

Model	PEI	H		H <sub>2</sub>		Ø M		X		Weight	
		in	mm	in	(mm)	in	(mm)	in	(mm)	lbs	kg
Helix V 190-01/1	0.94	32.72	831	19	473	8.6	218.3	6.86	174	228	103
Helix V 190-01	0.94	39.22	996	24	610	8.6	218.3	5.97	152	278	126
Helix V 190-02/2	0.92	41.34	1050	26	660	10.28	261	7.96	202	313	142
Helix V 190-02/1	0.92	45.04	1144	26	660	12.68	322	9.42	239	354	161
Helix V 190-02	0.92	45.04	1144	26	660	12.68	322	9.42	239	354	161
Helix V 190-03/2	0.93	46.74	1187	29	737	11.61	295	9.49	241	428	194
Helix V 190-03/1	0.93	46.74	1187	29	737	11.61	295	9.49	241	428	194
Helix V 190-03	0.93	46.74	1187	29	737	11.61	295	9.49	241	428	194

### TEFC Motor Data

P2	Phase	208-230/460 V		575 V
		FLA	FLA	FLA
[HP]	[~]	[A]	[A]	[A]
5	3	13.1-11.8/5.9	4.72	
7.5	3	25.4-23/11.5	9.2	
10	3	25.4-23/11.5	9.2	
15	3	38.5-34.8/17.4	13.8	
15	3	38.5-34.8/17.4	13.8	
20	3	50.2-45.4/22.7	18.2	
20	3	50.2-45.4/22.7	18.2	
20	3	50.2-45.4/22.7	18.2	