

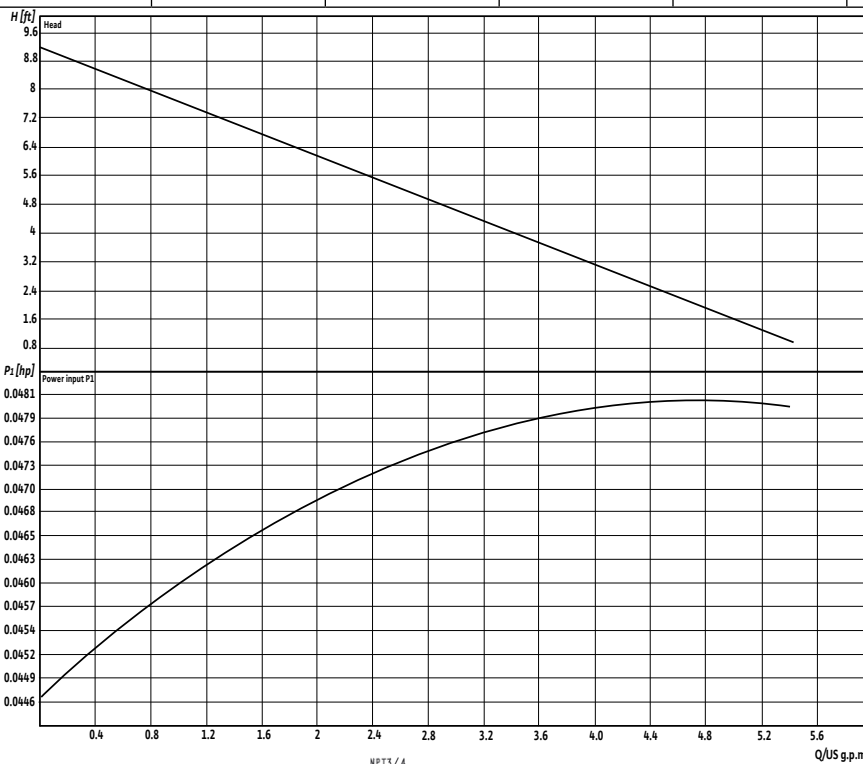
# Submittal Data Sheet

## Wilco Z 15+ - Timed and Constant Temperature Circulating Pump



### Wilco Z 15+

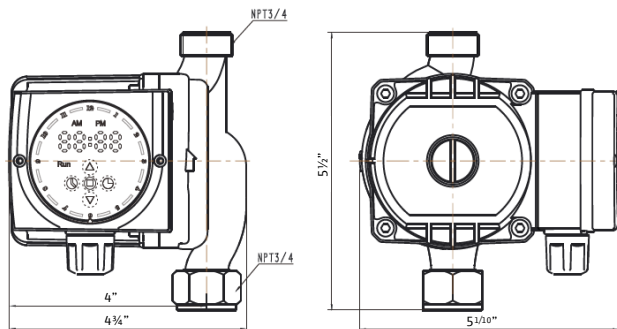
		Project:					
		Engineer:					
		Contractor:					
		Submitted By:			Date:		
		Approved By:			Date:		
Tag #	Model #	Flow	Head	HP	Cycle	Phase	Voltage
					60Hz	1	115V



Technical Data	
Max. Temperature	32 °F (0 °C) to 160 °F (71 °C)
Max. Ambient Temperature	105 °F (40 °C)
Max. Operating Pressure	145 PSI (10 Bar)
Pump Weight	4.9 lbs (with timer) 4.8 lbs (without timer)

Materials of Construction	
Pump Volute	Brass-copper alloys (C46500)
Impeller	Composite /40% Glass filled (PA66G40)
Shaft	Ceramic
Rotor Core	Silicone steel sheet + copper strip
Bearing	Ceramic
Gasket (for union end)	EP5118F (NSF-61 approved)

Application
• Domestic hot water recirculation systems



Motor Data				
Model	P2 [HP]	Phase [~]	FLA [A]	Voltage [V]
Z 15+	0.04	1	0.26	115V

