

# Submittal Data Sheet

Wilo NL-HE – Base Mounted End Suction Pumps

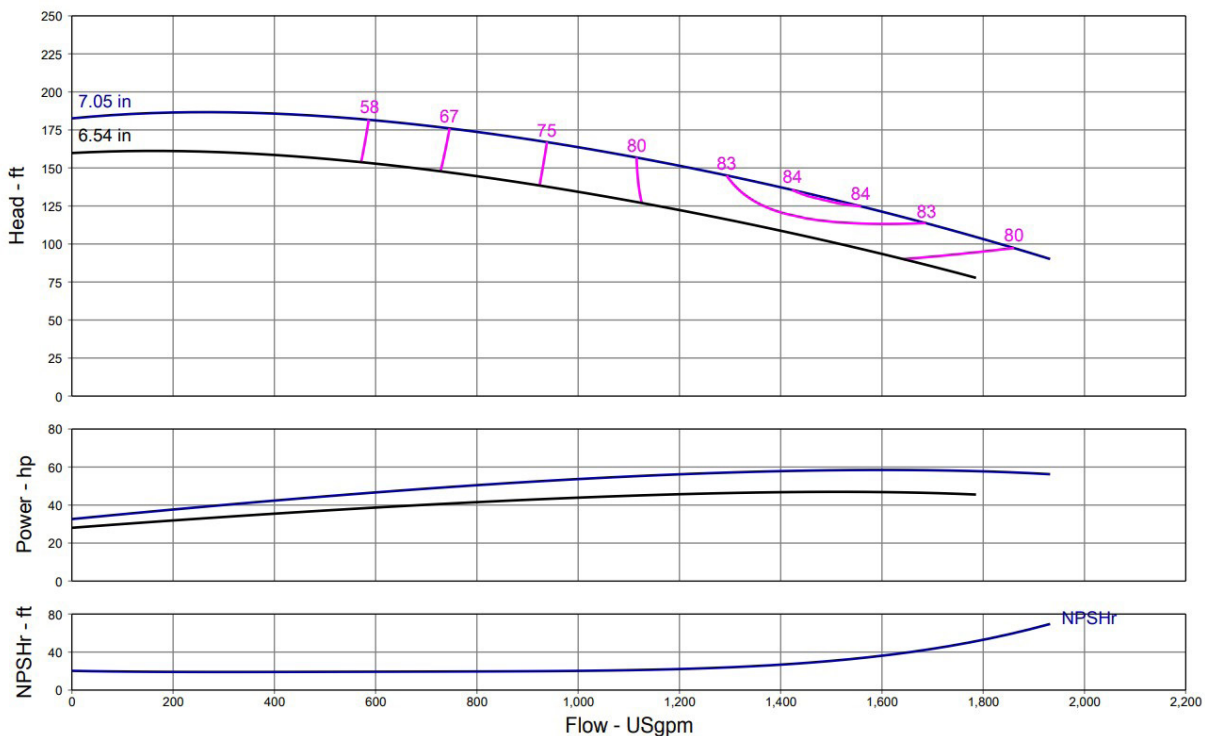


## NL-HE 5 x 4 x 6 (2 Pole)



|               |       |
|---------------|-------|
| Project:      |       |
| Engineer:     |       |
| Contractor:   |       |
| Submitted By: | Date: |
| Approved By:  | Date: |

| Tag # | Model #         | Flow (USGPM) | Head (Feet) | HP | Enclosure | Frame | Cycle | Phase | Voltage | RPM |
|-------|-----------------|--------------|-------------|----|-----------|-------|-------|-------|---------|-----|
|       | NL-HE 5 x 4 x 6 |              |             |    |           |       | 60Hz  | 3     |         |     |



| Technical Data  |  |
|---|--|
| PEI   |  |
| 0.93  |  |
| Approved Fluids   |  |
| Heating Water   |  |
| Cooling and cold water  |  |
| Pressure /Temperature Ratings   |  |
| Ambient Temperature:  | +5 °F to +104 °F (-15 °C to +40 °C)  |
| Max Working Pressure & Temperature:                                   | 189 psi (up to 284 °F Fluid Temperature)<br>232 psi (up to 248 °F Fluid Temperature) |
| Water-Glycol Mixtures for 20-40% glycol and fluid temp ≤ 104°F (40°C) |  |

| Materials of Construction  |  |
|----------------------------|--|
| Pump Housing               | EN-GL-250 Gray Cast Iron               |
| Impeller                   | EN 1.4408 Cast Stainless Steel         |
| Impeller (optional)        | CC480K Bronze or EN-GJL 1030 Cast Iron |
| Pump Shaft                 | 1.4021 + QT700 Stainless Steel         |
| Mechanical Seal            | Carbon/silicon carbide/EPDM (E1)       |
| Other Mechanical Seals     | Avail. on request                      |
| Additional Spacer Coupling | Avail. on request                      |
| Other:                     |  |

Approval Stamp

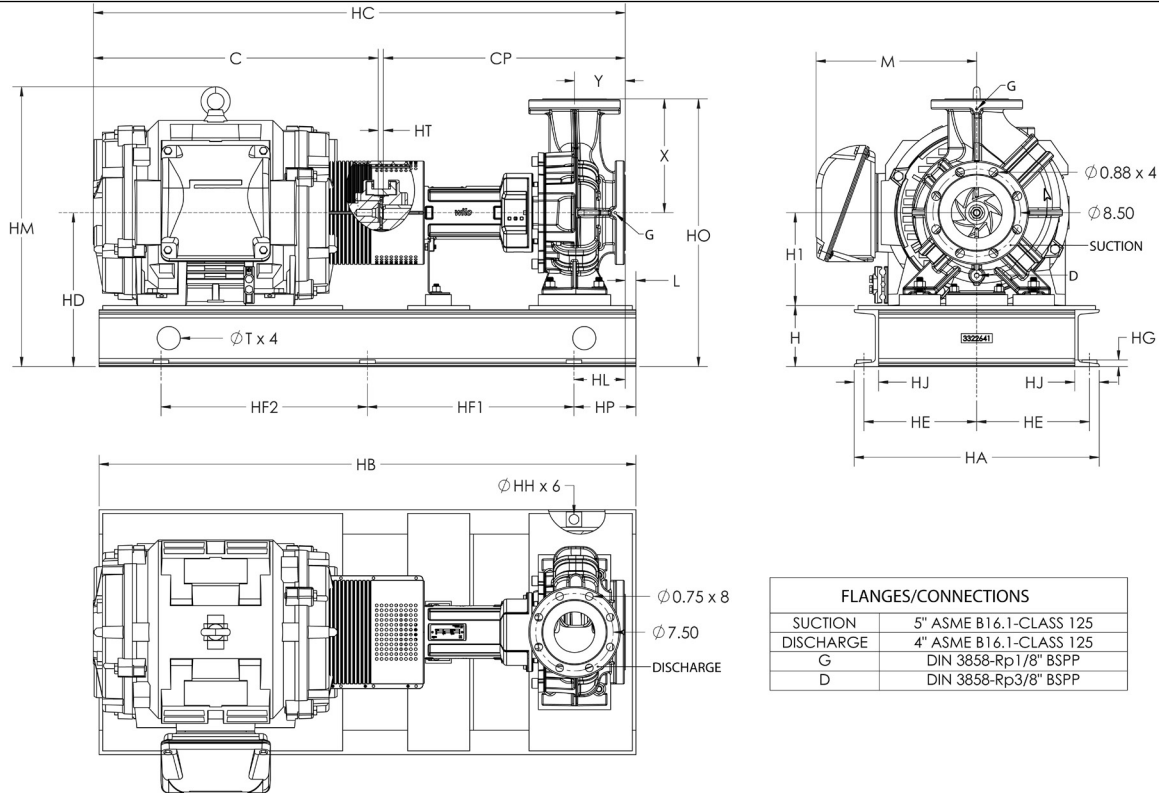
# Submittal Data Sheet

## Wilo NL-HE - Base Mounted End Suction Pumps



### Dimensions & Weights

#### Wilo NL-HE



| FLANGES/CONNECTIONS |                         |
|---------------------|-------------------------|
| SUCTION             | 5" ASME B16.1-CLASS 125 |
| DISCHARGE           | 4" ASME B16.1-CLASS 125 |
| G                   | DIN 3858-Rp1/8" BSPP    |
| D                   | DIN 3858-Rp3/8" BSPP    |

#### NL-HE 5 x 4 x 6

| Motor |      |         |             |      |      |      | Dimensions - Inches |     |    |      |      |      |      |      |      |      |     |     |      |      |      |      |      |      |      |      | Wt. (lb) |    |     |     |      |
|-------|------|---------|-------------|------|------|------|---------------------|-----|----|------|------|------|------|------|------|------|-----|-----|------|------|------|------|------|------|------|------|----------|----|-----|-----|------|
| HP    | ENCL | Frame   | Volt        | RPM  | EFF  | PF   | H                   | H1  | X  | HD   | HO   | HM   | M    | HA   | HE   | HG   | HJ  | Y   | HT   | HC   | C    | CP   | L    | HL   | T    | HH   |          | HP | HF1 | HF2 | HB   |
| 50    | ODP  | 324TS   | 208-230/460 | 3560 | 93   | 0.85 | 5.9                 | 8.0 | 11 | 13.9 | 24.9 | 23.6 | 13.4 | 23.7 | 10.9 | 0.64 | 2.4 | 4.9 | 0.50 | 48.2 | 24.3 | 23.4 | 1.03 | 4.98 | 2.25 | 0.95 | 6.0      | 20 | 20  | 52  | 881  |
| 50    | TEFC | 324/6TS | 208-230/460 | 3550 | 93   | 0.89 | 5.9                 | 8.0 | 11 | 13.9 | 24.9 | 24.3 | 12.6 | 23.7 | 10.9 | 0.64 | 2.4 | 4.9 | 0.50 | 53.5 | 29.6 | 23.4 | 1.08 | 4.93 | 2.25 | 0.95 | 6.0      | 20 | 20  | 52  | 1028 |
| 50    | ODP  | 324TS   | 575         | 3560 | 93   | 0.85 | 5.9                 | 8.0 | 11 | 13.9 | 24.9 | 23.6 | 13.4 | 23.7 | 10.9 | 0.64 | 2.4 | 4.9 | 0.50 | 48.2 | 24.3 | 23.4 | 1.03 | 4.98 | 2.25 | 0.95 | 6.0      | 20 | 20  | 52  | 878  |
| 50    | TEFC | 324/6TS | 575         | 3550 | 93   | 0.89 | 5.9                 | 8.0 | 11 | 13.9 | 24.9 | 24.3 | 12.6 | 23.7 | 10.9 | 0.64 | 2.4 | 4.9 | 0.50 | 53.5 | 29.6 | 23.4 | 1.08 | 4.93 | 2.25 | 0.95 | 6.0      | 20 | 20  | 52  | 1024 |
| 60    | ODP  | 324/6TS | 208-230/460 | 3560 | 93.6 | 0.85 | 5.9                 | 8.0 | 11 | 13.9 | 24.9 | 23.6 | 13.4 | 23.7 | 10.9 | 0.64 | 2.4 | 4.9 | 0.50 | 49.8 | 25.8 | 23.4 | 1.03 | 4.98 | 2.25 | 0.95 | 6.0      | 20 | 20  | 52  | 933  |
| 60    | TEFC | 364/5TS | 208-230/460 | 3560 | 93.6 | 0.9  | 6.0                 | 9.0 | 11 | 15.0 | 26.0 | 24.0 | 16.0 | 26.7 | 12.4 | 0.64 | 2.4 | 4.9 | 0.50 | 56.3 | 32.3 | 23.4 | 1.58 | 5.43 | 2.25 | 0.95 | 7.0      | 22 | 22  | 58  | 1388 |
| 60    | ODP  | 324/6TS | 575         | 3560 | 93.6 | 0.85 | 5.9                 | 8.0 | 11 | 13.9 | 24.9 | 23.6 | 13.4 | 23.7 | 10.9 | 0.64 | 2.4 | 4.9 | 0.50 | 49.8 | 25.8 | 23.4 | 1.03 | 4.98 | 2.25 | 0.95 | 6.0      | 20 | 20  | 52  | 930  |
| 60    | TEFC | 364/5TS | 575         | 3560 | 93.6 | 0.9  | 6.0                 | 9.0 | 11 | 15.0 | 26.0 | 24.0 | 16.0 | 26.7 | 12.4 | 0.64 | 2.4 | 4.9 | 0.50 | 56.3 | 32.3 | 23.4 | 1.58 | 5.43 | 2.25 | 0.95 | 7.0      | 22 | 22  | 58  | 1384 |
| 75    | ODP  | 364/5TS | 208-230/460 | 3555 | 93.6 | 0.87 | 5.9                 | 9.0 | 11 | 14.9 | 25.9 | 27.1 | 15.6 | 23.7 | 10.9 | 0.64 | 2.4 | 4.9 | 0.50 | 51.5 | 27.5 | 23.4 | 1.03 | 4.98 | 2.25 | 0.95 | 6.0      | 20 | 20  | 52  | 1174 |
| 75    | TEFC | 364/5TS | 208-230/460 | 3555 | 93.6 | 0.9  | 6.0                 | 9.0 | 11 | 15.0 | 26.0 | 24.0 | 16.0 | 26.7 | 12.4 | 0.64 | 2.4 | 4.9 | 0.50 | 56.3 | 32.3 | 23.4 | 1.58 | 5.43 | 2.25 | 0.95 | 7.0      | 22 | 22  | 58  | 1393 |
| 75    | ODP  | 364/5TS | 575         | 3555 | 93.6 | 0.87 | 5.9                 | 9.0 | 11 | 14.9 | 25.9 | 27.1 | 15.6 | 23.7 | 10.9 | 0.64 | 2.4 | 4.9 | 0.50 | 51.5 | 27.5 | 23.4 | 1.03 | 4.98 | 2.25 | 0.95 | 6.0      | 20 | 20  | 52  | 1170 |
| 75    | TEFC | 364/5TS | 575         | 3555 | 93.6 | 0.9  | 6.0                 | 9.0 | 11 | 15.0 | 26.0 | 24.0 | 16.0 | 26.7 | 12.4 | 0.64 | 2.4 | 4.9 | 0.50 | 56.3 | 32.3 | 23.4 | 1.58 | 5.43 | 2.25 | 0.95 | 7.0      | 22 | 22  | 58  | 1385 |

# Submittal Data Sheet

Wilo NL-HE – Base Mounted End Suction Pumps

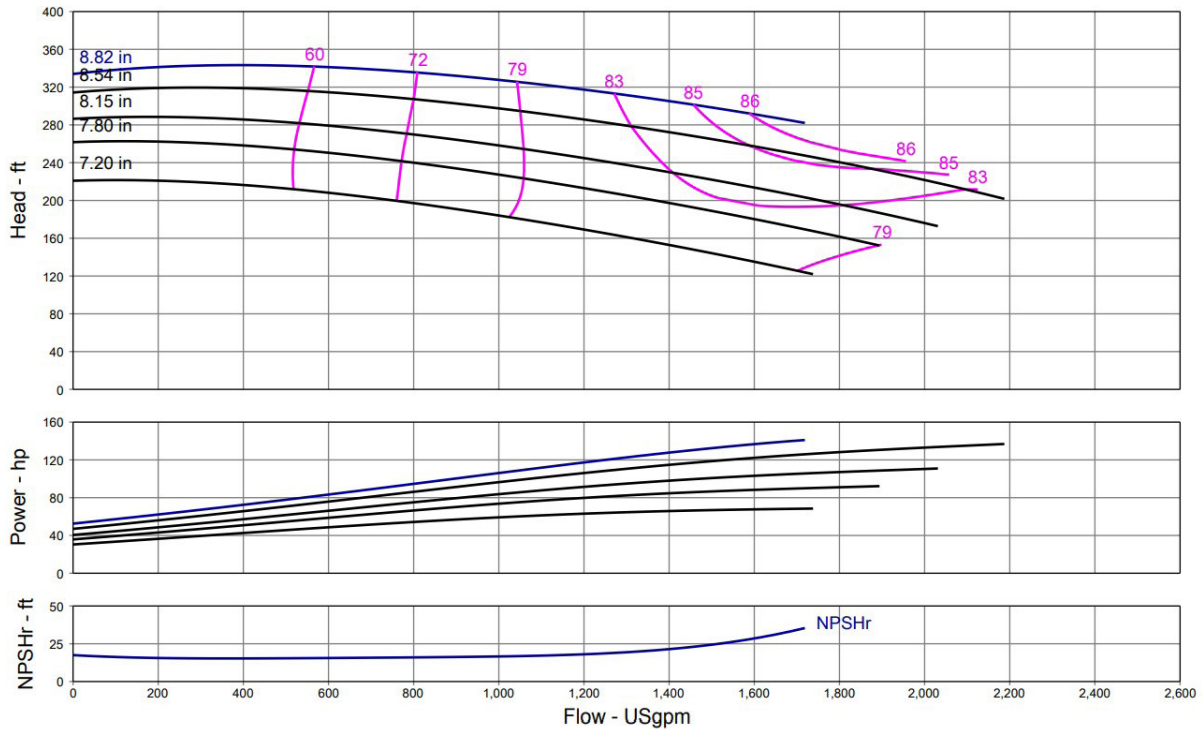


## NL-HE 5 x 4 x 8 (2 Pole)



|               |       |
|---------------|-------|
| Project:      |       |
| Engineer:     |       |
| Contractor:   |       |
| Submitted By: | Date: |
| Approved By:  | Date: |

| Tag # | Model #         | Flow (USGPM) | Head (Feet) | HP | Enclosure | Frame | Cycle | Phase | Voltage | RPM |
|-------|-----------------|--------------|-------------|----|-----------|-------|-------|-------|---------|-----|
|       | NL-HE 5 x 4 x 8 |              |             |    |           |       | 60Hz  | 3     |         |     |



| Technical Data  |  |
|---|--|
| PEI   |  |
| 0.91  |  |
| Approved Fluids   |  |
| Heating Water   |  |
| Cooling and cold water  |  |
| Pressure /Temperature Ratings   |  |
| Ambient Temperature:  | +5 °F to +104 °F (-15 °C to +40 °C)  |
| Max Working Pressure & Temperature:                                   | 189 psi (up to 284 °F Fluid Temperature)<br>232 psi (up to 248 °F Fluid Temperature) |
| Water-Glycol Mixtures for 20-40% glycol and fluid temp ≤ 104°F (40°C) |  |

| Materials of Construction  |  |
|----------------------------|--|
| Pump Housing               | EN-GL-250 Gray Cast Iron               |
| Impeller                   | EN 1.4408 Cast Stainless Steel         |
| Impeller (optional)        | CC480K Bronze or EN-GJL 1030 Cast Iron |
| Pump Shaft                 | 1.4021 + QT700 Stainless Steel         |
| Mechanical Seal            | Carbon/silicon carbide/EPDM (E1)       |
| Other Mechanical Seals     | Avail. on request                      |
| Additional Spacer Coupling | Avail. on request                      |
| Other:                     |  |

Approval Stamp

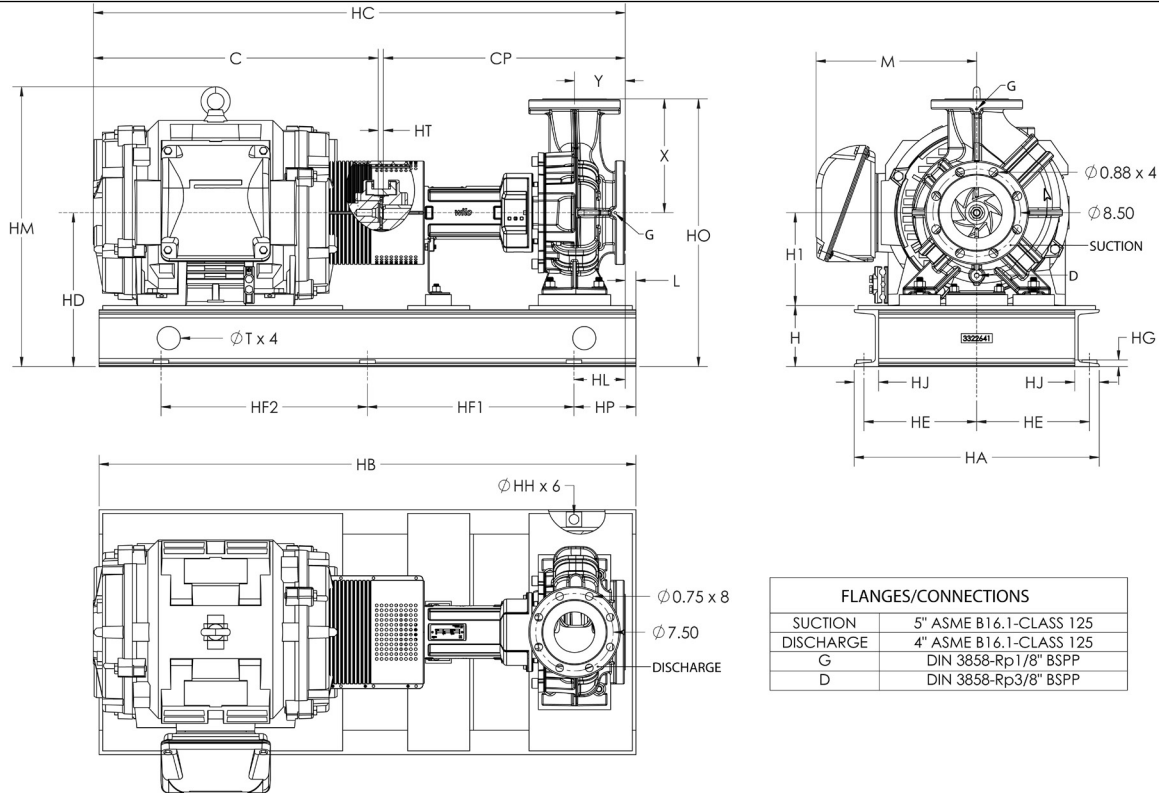
# Submittal Data Sheet

## Wilo NL-HE - Base Mounted End Suction Pumps



### Dimensions & Weights

#### Wilo NL-HE



| FLANGES/CONNECTIONS |                         |
|---------------------|-------------------------|
| SUCTION             | 5" ASME B16.1-CLASS 125 |
| DISCHARGE           | 4" ASME B16.1-CLASS 125 |
| G                   | DIN 3858-Rp1/8" BSPP    |
| D                   | DIN 3858-Rp3/8" BSPP    |

#### NL-HE 5 x 4 x 8

| Motor |      |         |             |      |      |      |     | Dimensions - Inches |    |      |      |      |      |      |      |      |     |     |      |      |      |      |      |      |      |      |     |     |     |    |          |
|-------|------|---------|-------------|------|------|------|-----|---------------------|----|------|------|------|------|------|------|------|-----|-----|------|------|------|------|------|------|------|------|-----|-----|-----|----|----------|
| HP    | ENCL | Frame   | Volt        | RPM  | EFF  | PF   | H   | H1                  | X  | HD   | HO   | HM   | M    | HA   | HE   | HG   | HJ  | Y   | HT   | HC   | C    | CP   | L    | HL   | T    | HH   | HP  | HF1 | HF2 | HB | Wt. (lb) |
| 75    | ODP  | 364/STS | 208-230/460 | 3555 | 93.6 | 0.87 | 5.9 | 9                   | 11 | 14.9 | 25.9 | 27.1 | 15.6 | 23.7 | 10.9 | 0.64 | 2.4 | 4.9 | 0.50 | 51.5 | 27.5 | 23.4 | 1.03 | 4.98 | 2.25 | 0.95 | 6.0 | 20  | 20  | 52 | 1183     |
| 75    | TEFC | 364/STS | 208-230/460 | 3555 | 93.6 | 0.9  | 6.0 | 9                   | 11 | 15.0 | 26.0 | 24.0 | 16.0 | 26.7 | 12.4 | 0.64 | 2.4 | 4.9 | 0.50 | 56.3 | 32.3 | 23.4 | 1.58 | 5.43 | 2.25 | 0.95 | 7.0 | 22  | 22  | 58 | 1406     |
| 75    | ODP  | 364/STS | 575         | 3555 | 93.6 | 0.87 | 5.9 | 9                   | 11 | 14.9 | 25.9 | 27.1 | 15.6 | 23.7 | 10.9 | 0.64 | 2.4 | 4.9 | 0.50 | 51.5 | 27.5 | 23.4 | 1.03 | 4.98 | 2.25 | 0.95 | 6.0 | 20  | 20  | 52 | 1183     |
| 75    | TEFC | 364/STS | 575         | 3555 | 93.6 | 0.9  | 6.0 | 9                   | 11 | 15.0 | 26.0 | 24.0 | 16.0 | 26.7 | 12.4 | 0.64 | 2.4 | 4.9 | 0.50 | 56.3 | 32.3 | 23.4 | 1.58 | 5.43 | 2.25 | 0.95 | 7.0 | 22  | 22  | 58 | 1398     |
| 100   | ODP  | 364/STS | 208-230/460 | 3555 | 93.6 | 0.87 | 5.9 | 9                   | 11 | 14.9 | 25.9 | 27.1 | 15.6 | 23.7 | 10.9 | 0.64 | 2.4 | 4.9 | 0.50 | 51.5 | 27.5 | 23.4 | 1.03 | 4.98 | 2.25 | 0.95 | 6.0 | 20  | 20  | 52 | 1206     |
| 100   | TEFC | 404/STS | 208-230/460 | 3545 | 94.1 | 0.89 | 6.1 | 10                  | 11 | 16.1 | 27.1 | 25.6 | 16.0 | 28.7 | 13.4 | 0.64 | 2.4 | 4.9 | 0.50 | 60.6 | 36.7 | 23.4 | 1.38 | 5.63 | 2.25 | 0.95 | 7.0 | 24  | 24  | 62 | 1753     |
| 100   | ODP  | 364/STS | 575         | 3555 | 93.6 | 0.87 | 5.9 | 9                   | 11 | 14.9 | 25.9 | 27.1 | 15.6 | 23.7 | 10.9 | 0.64 | 2.4 | 4.9 | 0.50 | 51.5 | 27.5 | 23.4 | 1.03 | 4.98 | 2.25 | 0.95 | 6.0 | 20  | 20  | 52 | 1200     |
| 100   | TEFC | 404/STS | 575         | 3545 | 94.1 | 0.89 | 6.1 | 10                  | 11 | 16.1 | 27.1 | 25.6 | 16.0 | 28.7 | 13.4 | 0.64 | 2.4 | 4.9 | 0.50 | 60.6 | 36.7 | 23.4 | 1.38 | 5.63 | 2.25 | 0.95 | 7.0 | 24  | 24  | 62 | 1749     |
| 125   | ODP  | 404/STS | 208-230/460 | 3557 | 94.1 | 0.88 | 6.0 | 10                  | 11 | 16.0 | 27.0 | 28.2 | 15.6 | 26.7 | 12.4 | 0.64 | 2.4 | 4.9 | 0.50 | 54.9 | 31.0 | 23.4 | 1.33 | 5.68 | 2.25 | 0.95 | 7.0 | 22  | 22  | 58 | 1442     |
| 125   | TEFC | 444/STS | 208-230/460 | 3570 | 95   | 0.89 | 7.7 | 11                  | 11 | 18.7 | 29.7 | 30.5 | 18.6 | 30.5 | 14.2 | 0.72 | 2.8 | 4.9 | 0.50 | 65.3 | 41.4 | 23.4 | 1.83 | 6.18 | 3.00 | 1.10 | 8.0 | 28  | 28  | 72 | 2525     |
| 125   | ODP  | 404/STS | 575         | 3557 | 94.1 | 0.88 | 6.0 | 10                  | 11 | 16.0 | 27.0 | 28.2 | 15.6 | 26.7 | 12.4 | 0.64 | 2.4 | 4.9 | 0.50 | 54.9 | 31.0 | 23.4 | 1.33 | 5.68 | 2.25 | 0.95 | 7.0 | 22  | 22  | 58 | 1437     |
| 125   | TEFC | 444/STS | 575         | 3570 | 95   | 0.89 | 7.7 | 11                  | 11 | 18.7 | 29.7 | 30.5 | 18.6 | 30.5 | 14.2 | 0.72 | 2.8 | 4.9 | 0.50 | 65.3 | 41.4 | 23.4 | 1.83 | 6.18 | 3.00 | 1.10 | 8.0 | 28  | 28  | 72 | 2514     |
| 150   | ODP  | 404/STS | 460         | 3552 | 94.1 | 0.88 | 6.0 | 10                  | 11 | 16.0 | 27.0 | 28.2 | 15.6 | 26.7 | 12.4 | 0.64 | 2.4 | 4.9 | 0.50 | 54.9 | 31.0 | 23.4 | 1.33 | 5.68 | 2.25 | 0.95 | 7.0 | 22  | 22  | 58 | 1455     |
| 150   | TEFC | 444/STS | 208-230/460 | 3570 | 95   | 0.89 | 7.7 | 11                  | 11 | 18.7 | 29.7 | 30.5 | 18.6 | 30.5 | 14.2 | 0.72 | 2.8 | 4.9 | 0.50 | 65.3 | 41.4 | 23.4 | 1.83 | 6.18 | 3.00 | 1.10 | 8.0 | 28  | 28  | 72 | 2617     |
| 150   | ODP  | 404/STS | 575         | 3552 | 94.1 | 0.88 | 6.0 | 10                  | 11 | 16.0 | 27.0 | 28.2 | 15.6 | 26.7 | 12.4 | 0.64 | 2.4 | 4.9 | 0.50 | 54.9 | 31.0 | 23.4 | 1.33 | 5.68 | 2.25 | 0.95 | 7.0 | 22  | 22  | 58 | 1454     |
| 150   | TEFC | 444/STS | 575         | 3570 | 95   | 0.89 | 7.7 | 11                  | 11 | 18.7 | 29.7 | 30.5 | 18.6 | 30.5 | 14.2 | 0.72 | 2.8 | 4.9 | 0.50 | 65.3 | 41.4 | 23.4 | 1.83 | 6.18 | 3.00 | 1.10 | 8.0 | 28  | 28  | 72 | 2609     |

# Submittal Data Sheet

Wilo NL-HE – Base Mounted End Suction Pumps

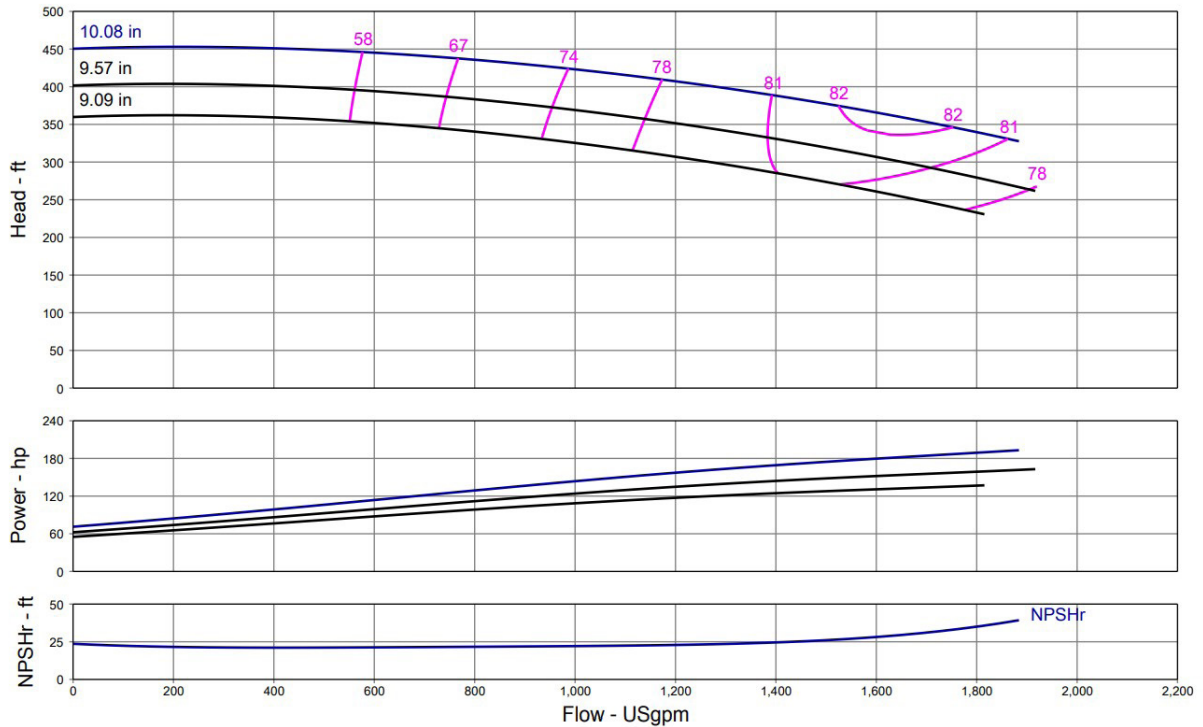


## NL-HE 5 x 4 x 10 (2 Pole)



|               |       |
|---------------|-------|
| Project:      |       |
| Engineer:     |       |
| Contractor:   |       |
| Submitted By: | Date: |
| Approved By:  | Date: |

| Tag # | Model #          | Flow (USGPM) | Head (Feet) | HP | Enclosure | Frame | Cycle | Phase | Voltage | RPM |
|-------|------------------|--------------|-------------|----|-----------|-------|-------|-------|---------|-----|
|       | NL-HE 5 x 4 x 10 |              |             |    |           |       | 60Hz  | 3     |         |     |



| Technical Data  |  |
|---|--|
| <b>Approved Fluids</b>  |  |
| Heating Water   |  |
| Cooling and cold water  |  |
| <b>Pressure /Temperature Ratings</b>                                  |  |
| Ambient Temperature:  | +5 °F to +104 °F (-15 °C to +40 °C)  |
| Max Working Pressure & Temperature:                                   | 189 psi (up to 284 °F Fluid Temperature)<br>232 psi (up to 248 °F Fluid Temperature) |
| Water-Glycol Mixtures for 20-40% glycol and fluid temp ≤ 104°F (40°C) |  |

| Materials of Construction  |  |
|----------------------------|--|
| Pump Housing               | EN-GL-250 Gray Cast Iron               |
| Impeller                   | EN 1.4408 Cast Stainless Steel         |
| Impeller (optional)        | CC480K Bronze or EN-GJL 1030 Cast Iron |
| Pump Shaft                 | 1.4021 + QT700 Stainless Steel         |
| Mechanical Seal            | Carbon/silicon carbide/EPDM (E1)       |
| Other Mechanical Seals     | Avail. on request                      |
| Additional Spacer Coupling | Avail. on request                      |
| Other:                     |  |

Approval Stamp

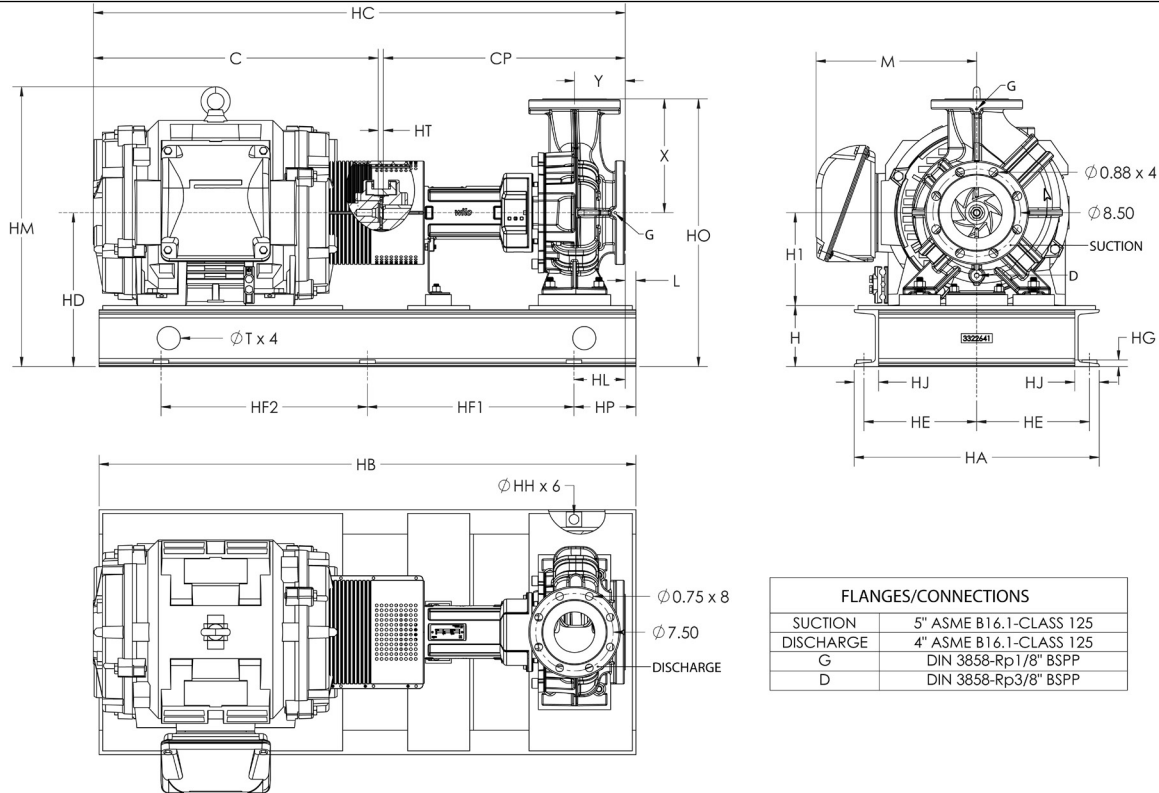
# Submittal Data Sheet

## Wilo NL-HE - Base Mounted End Suction Pumps



### Dimensions & Weights

#### Wilo NL-HE



| FLANGES/CONNECTIONS |                         |
|---------------------|-------------------------|
| SUCTION             | 5" ASME B16.1-CLASS 125 |
| DISCHARGE           | 4" ASME B16.1-CLASS 125 |
| G                   | DIN 3858-Rp1/8" BSPP    |
| D                   | DIN 3858-Rp3/8" BSPP    |

#### NL-HE 5 x 4 x 10

| Motor |      |         |             |      |      |      | Dimensions - Inches |    |    |      |      |      |      |      |      |      |     |     |      |      |      |      |      |      |      |      |     |     |     |    |          |
|-------|------|---------|-------------|------|------|------|---------------------|----|----|------|------|------|------|------|------|------|-----|-----|------|------|------|------|------|------|------|------|-----|-----|-----|----|----------|
| HP    | ENCL | Frame   | Volt        | RPM  | EFF  | PF   | H                   | H1 | X  | HD   | HO   | HM   | M    | HA   | HE   | HG   | HJ  | Y   | HT   | HC   | C    | CP   | L    | HL   | T    | HH   | HP  | HF1 | HF2 | HB | Wt. (lb) |
| 150   | ODP  | 404/5TS | 460         | 3552 | 94.1 | 0.88 | 6.0                 | 10 | 11 | 16.0 | 27.0 | 28.2 | 15.6 | 26.7 | 12.4 | 0.64 | 2.4 | 5.5 | 0.90 | 58.3 | 31.0 | 26.4 | 0.48 | 6.52 | 2.25 | 0.95 | 7.0 | 22  | 22  | 58 | 1493     |
| 150   | TEFC | 444/5TS | 208-230/460 | 3570 | 95   | 0.89 | 7.7                 | 11 | 11 | 18.7 | 29.7 | 30.5 | 18.6 | 30.5 | 14.2 | 0.72 | 2.8 | 5.5 | 0.50 | 68.3 | 41.4 | 26.4 | 0.98 | 7.02 | 3.00 | 1.10 | 8.0 | 28  | 28  | 72 | 2687     |
| 150   | ODP  | 404/5TS | 575         | 3552 | 94.1 | 0.88 | 6.0                 | 10 | 11 | 16.0 | 27.0 | 28.2 | 15.6 | 26.7 | 12.4 | 0.64 | 2.4 | 5.5 | 0.90 | 58.3 | 31.0 | 26.4 | 0.48 | 6.52 | 2.25 | 0.95 | 7.0 | 22  | 22  | 58 | 1492     |
| 150   | TEFC | 444/5TS | 575         | 3570 | 95   | 0.89 | 7.7                 | 11 | 11 | 18.7 | 29.7 | 30.5 | 18.6 | 30.5 | 14.2 | 0.72 | 2.8 | 5.5 | 0.50 | 68.3 | 41.4 | 26.4 | 0.98 | 7.02 | 3.00 | 1.10 | 8.0 | 28  | 28  | 72 | 2679     |
| 200   | ODP  | 444/5TS | 460         | 3570 | 95   | 0.88 | 6.1                 | 11 | 11 | 17.1 | 28.1 | 31.6 | 18.7 | 28.7 | 13.4 | 0.64 | 2.4 | 5.5 | 0.50 | 61.5 | 34.6 | 26.4 | 0.48 | 6.52 | 2.25 | 0.95 | 7.0 | 24  | 24  | 62 | 2000     |
| 200   | TEFC | 445/7TS | 208-230/460 | 3570 | 95.4 | 0.9  | 7.7                 | 11 | 11 | 18.7 | 29.7 | 35.2 | 20.6 | 30.5 | 14.2 | 0.72 | 2.8 | 5.5 | 0.50 | 71.8 | 44.9 | 26.4 | 1.43 | 6.57 | 3.00 | 1.10 | 8.0 | 27  | 27  | 70 | 3017     |
| 200   | ODP  | 444/5TS | 575         | 3570 | 95   | 0.88 | 6.1                 | 11 | 11 | 17.1 | 28.1 | 31.6 | 18.7 | 28.7 | 13.4 | 0.64 | 2.4 | 5.5 | 0.50 | 61.5 | 34.6 | 26.4 | 0.48 | 6.52 | 2.25 | 0.95 | 7.0 | 24  | 24  | 62 | 2000     |
| 200   | TEFC | 445/7TS | 575         | 3570 | 95.4 | 0.9  | 7.7                 | 11 | 11 | 18.7 | 29.7 | 35.2 | 20.6 | 30.5 | 14.2 | 0.72 | 2.8 | 5.5 | 0.50 | 71.8 | 44.9 | 26.4 | 1.43 | 6.57 | 3.00 | 1.10 | 8.0 | 27  | 27  | 70 | 2991     |