

# Submittal Data Sheet

Wilo NL-HE – Base Mounted End Suction Pumps

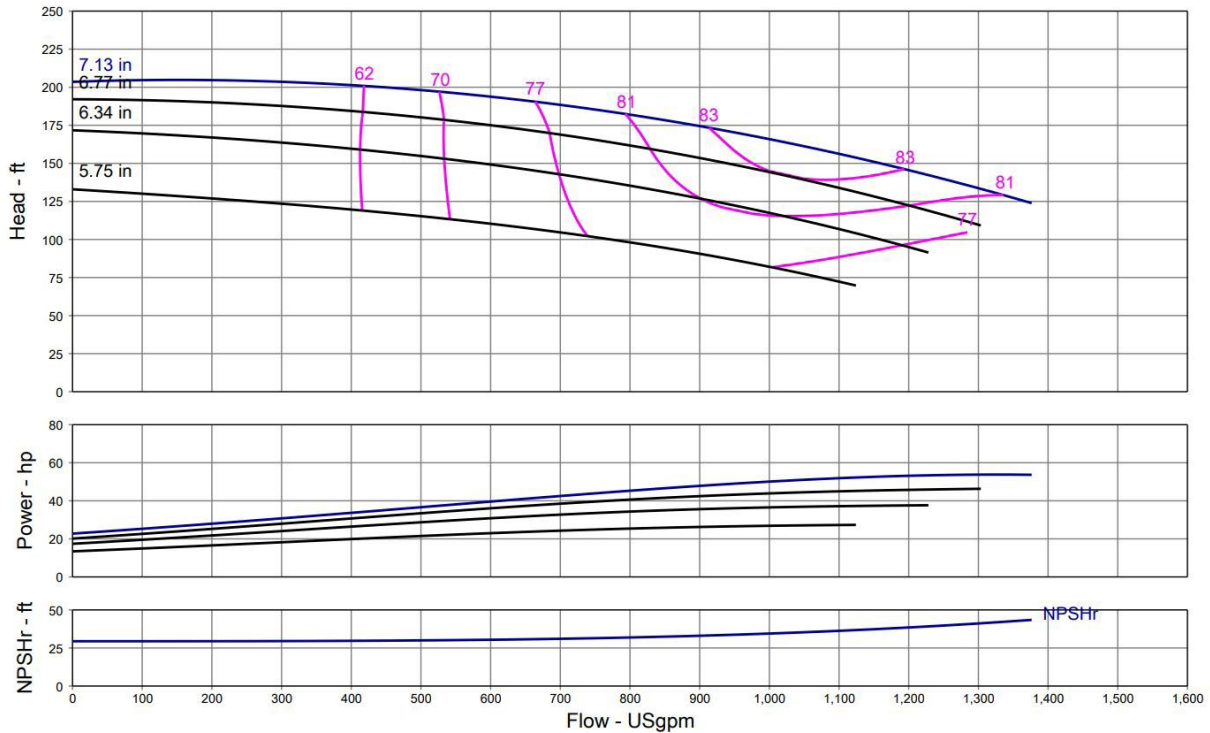


## NL-HE 4 x 3 x 6 (2 Pole)



Project:	
Engineer:	
Contractor:	
Submitted By:	Date:
Approved By:	Date:

Tag #	Model #	Flow (USGPM)	Head (Feet)	HP	Enclosure	Frame	Cycle	Phase	Voltage	RPM
	NL-HE 4 x 3 x 6						60Hz	3		



Technical Data	
PEI	
0.93	
Approved Fluids	
Heating Water	
Cooling and cold water	
Pressure /Temperature Ratings	
Ambient Temperature:	+5 °F to +104 °F (-15 °C to +40 °C)
Max Working Pressure & Temperature:	189 psi (up to 284 °F Fluid Temperature) 232 psi (up to 248 °F Fluid Temperature)
Water-Glycol Mixtures for 20-40% glycol and fluid temp ≤ 104°F (40°C)	

Materials of Construction	
Pump Housing	EN-GL-250 Gray Cast Iron
Impeller	EN 1.4408 Cast Stainless Steel
Impeller (optional)	CC480K Bronze or EN-GJL 1030 Cast Iron
Pump Shaft	1.4021 + QT700 Stainless Steel
Mechanical Seal	Carbon/silicon carbide/EPDM (E1)
Other Mechanical Seals	Avail. on request
Additional Spacer Coupling	Avail. on request
Other:	

Approval Stamp

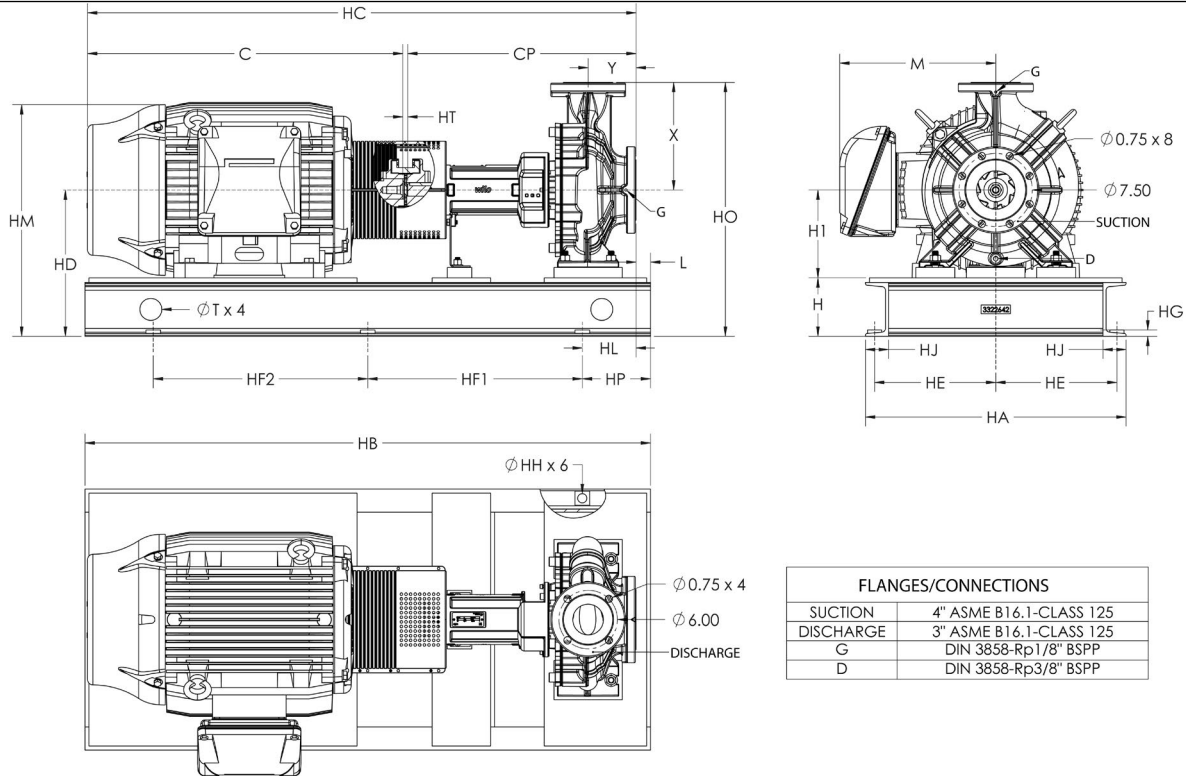
# Submittal Data Sheet

## Wilo NL-HE - Base Mounted End Suction Pumps



### Dimensions & Weights

#### Wilo NL-HE



FLANGES/CONNECTIONS	
SUCTION	4" ASME B16.1-CLASS 125
DISCHARGE	3" ASME B16.1-CLASS 125
G	DIN 3858-Rp1/8" BSPP
D	DIN 3858-Rp3/8" BSPP

#### NL-HE 4 x 3 x 6

Motor							Dimensions - Inches																								
HP	ENCL	Frame	Volt	RPM	EFF	PF	H	H1	X	HD	HO	HM	M	HA	HE	HG	HJ	Y	HT	HC	C	CP	L	HL	T	HH	HP	HF1	HF2	HB	Wt. (lb)
30	ODP	284TS	208-230/460	3545	91.7	0.86	4.3	7.1	8.9	11.4	20.3	20.1	11.9	20.8	9.6	0.57	1.9	4.9	0.50	41.6	22.0	19.1	0.13	4.38	1.50	0.80	4.5	18	18	45	585
30	TEFC	284/6TS	208-230/460	3540	91.7	0.89	4.3	7.1	8.9	11.4	20.3	20.6	11.1	20.8	9.6	0.57	1.9	4.9	0.50	46.2	26.6	19.1	0.13	4.38	1.50	0.80	4.5	20	20	49	705
30	ODP	284TS	575	3545	91.7	0.86	4.3	7.1	8.9	11.4	20.3	20.1	11.9	20.8	9.6	0.57	1.9	4.9	0.50	41.6	22.0	19.1	0.13	4.38	1.50	0.80	4.5	18	18	45	583
30	TEFC	284/6TS	575	3535	91.7	0.89	4.3	7.1	8.9	11.4	20.3	20.6	11.1	20.8	9.6	0.57	1.9	4.9	0.50	46.2	26.6	19.1	0.13	4.38	1.50	0.80	4.5	20	20	49	704
40	ODP	284/6TS	208-230/460	3540	92.4	0.87	4.3	7.1	8.9	11.4	20.3	20.1	11.9	20.8	9.6	0.57	1.9	4.9	0.50	42.9	23.3	19.1	0.13	4.38	1.50	0.80	4.5	18	18	45	629
40	TEFC	324/6TS	208-230/460	3555	92.4	0.89	4.3	8.0	8.9	12.3	21.2	22.7	12.6	20.8	9.6	0.57	1.9	4.9	0.85	49.6	29.6	19.1	0.13	4.38	1.50	0.80	4.5	20	20	49	862
40	ODP	284/6TS	575	3540	92.4	0.87	4.3	7.1	8.9	11.4	20.3	20.1	11.9	20.8	9.6	0.57	1.9	4.9	0.50	42.9	23.3	19.1	0.13	4.38	1.50	0.80	4.5	18	18	45	627
40	TEFC	324/6TS	575	3555	92.4	0.89	4.3	8.0	8.9	12.3	21.2	22.7	12.6	20.8	9.6	0.57	1.9	4.9	0.85	49.6	29.6	19.1	0.13	4.38	1.50	0.80	4.5	20	20	49	859
50	ODP	324TS	208-230/460	3560	93	0.85	4.3	8.0	8.9	12.3	21.2	22.1	13.4	20.8	9.6	0.57	1.9	4.9	0.85	44.3	24.3	19.1	0.13	4.38	1.50	0.80	4.5	18	18	45	714
50	TEFC	324/6TS	208-230/460	3550	93	0.89	4.3	8.0	8.9	12.3	21.2	22.7	12.6	20.8	9.6	0.57	1.9	4.9	0.85	49.6	29.6	19.1	0.13	4.38	1.50	0.80	4.5	20	20	49	885
50	ODP	324TS	575	3560	93	0.85	4.3	8.0	8.9	12.3	21.2	22.1	13.4	20.8	9.6	0.57	1.9	4.9	0.85	44.3	24.3	19.1	0.13	4.38	1.50	0.80	4.5	18	18	45	711
50	TEFC	324/6TS	575	3550	93	0.89	4.3	8.0	8.9	12.3	21.2	22.7	12.6	20.8	9.6	0.57	1.9	4.9	0.85	49.6	29.6	19.1	0.13	4.38	1.50	0.80	4.5	20	20	49	881
60	ODP	324/6TS	208-230/460	3560	93.6	0.85	4.3	8.0	8.9	12.3	21.2	22.1	13.4	20.8	9.6	0.57	1.9	4.9	0.85	45.8	25.8	19.1	0.13	4.38	1.50	0.80	4.5	20	20	49	783
60	TEFC	364/5TS	208-230/460	3560	93.6	0.9	6.0	9.0	8.9	15.0	23.8	24.0	16.0	23.7	10.9	0.64	2.4	4.9	0.85	52.3	32.3	19.1	0.58	5.43	2.25	0.95	6.0	20	20	52	1290
60	ODP	324/6TS	575	3560	93.6	0.85	4.3	8.0	8.9	12.3	21.2	22.1	13.4	20.8	9.6	0.57	1.9	4.9	0.85	45.8	25.8	19.1	0.13	4.38	1.50	0.80	4.5	20	20	49	780
60	TEFC	364/5TS	575	3560	93.6	0.9	6.0	9.0	8.9	15.0	23.8	24.0	16.0	23.7	10.9	0.64	2.4	4.9	0.85	52.3	32.3	19.1	0.58	5.43	2.25	0.95	6.0	20	20	52	1286

# Submittal Data Sheet

Wilco NL-HE - Base Mounted End Suction Pumps

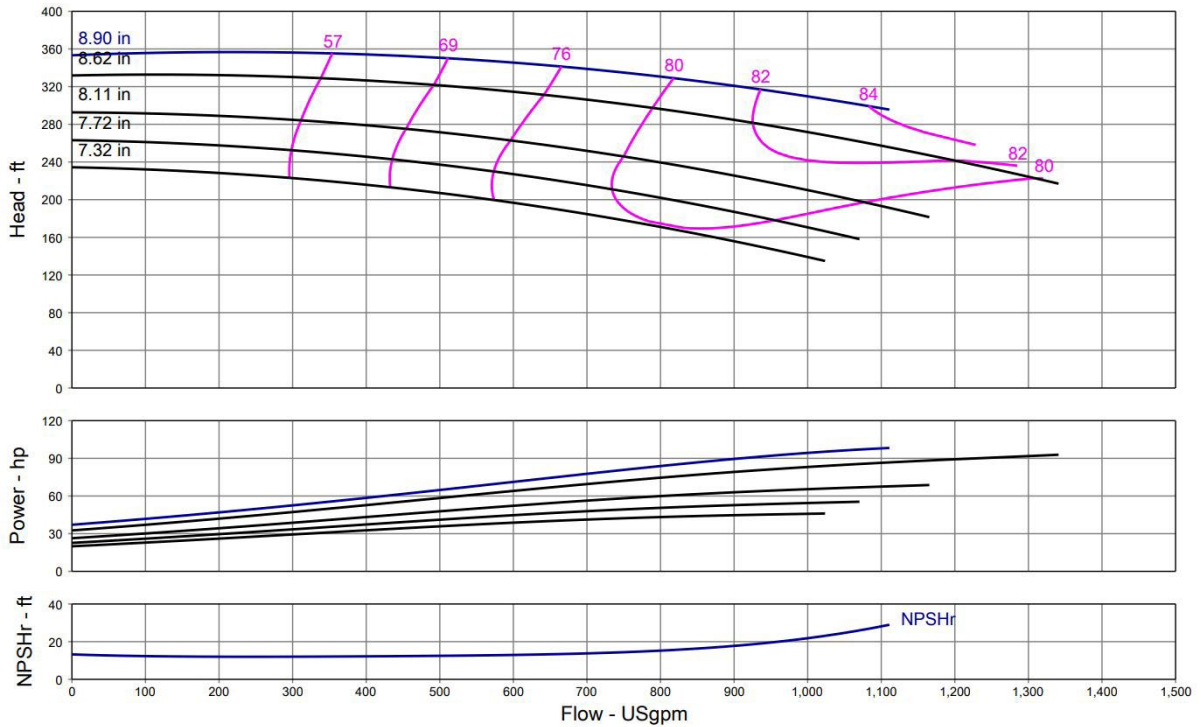


## NL-HE 4 x 3 x 8 (2 Pole)



Project:	
Engineer:	
Contractor:	
Submitted By:	Date:
Approved By:	Date:

Tag #	Model #	Flow (USGPM)	Head (Feet)	HP	Enclosure	Frame	Cycle	Phase	Voltage	RPM
	NL-HE 4 x 3 x 8						60Hz	3		



Technical Data	
PEI	
0.92	
Approved Fluids	
Heating Water	
Cooling and cold water	
Pressure /Temperature Ratings	
Ambient Temperature:	+5 °F to +104 °F (-15 °C to +40 °C)
Max Working Pressure & Temperature:	189 psi (up to 284 °F Fluid Temperature) 232 psi (up to 248 °F Fluid Temperature)
Water-Glycol Mixtures for 20-40% glycol and fluid temp ≤ 104°F (40°C)	

Materials of Construction	
Pump Housing	EN-GL-250 Gray Cast Iron
Impeller	EN 1.4408 Cast Stainless Steel
Impeller (optional)	CC480K Bronze or EN-GJL 1030 Cast Iron
Pump Shaft	1.4021 + QT700 Stainless Steel
Mechanical Seal	Carbon/silicon carbide/EPDM (E1)
Other Mechanical Seals	Avail. on request
Additional Spacer Coupling	Avail. on request
Other:	

Approval Stamp

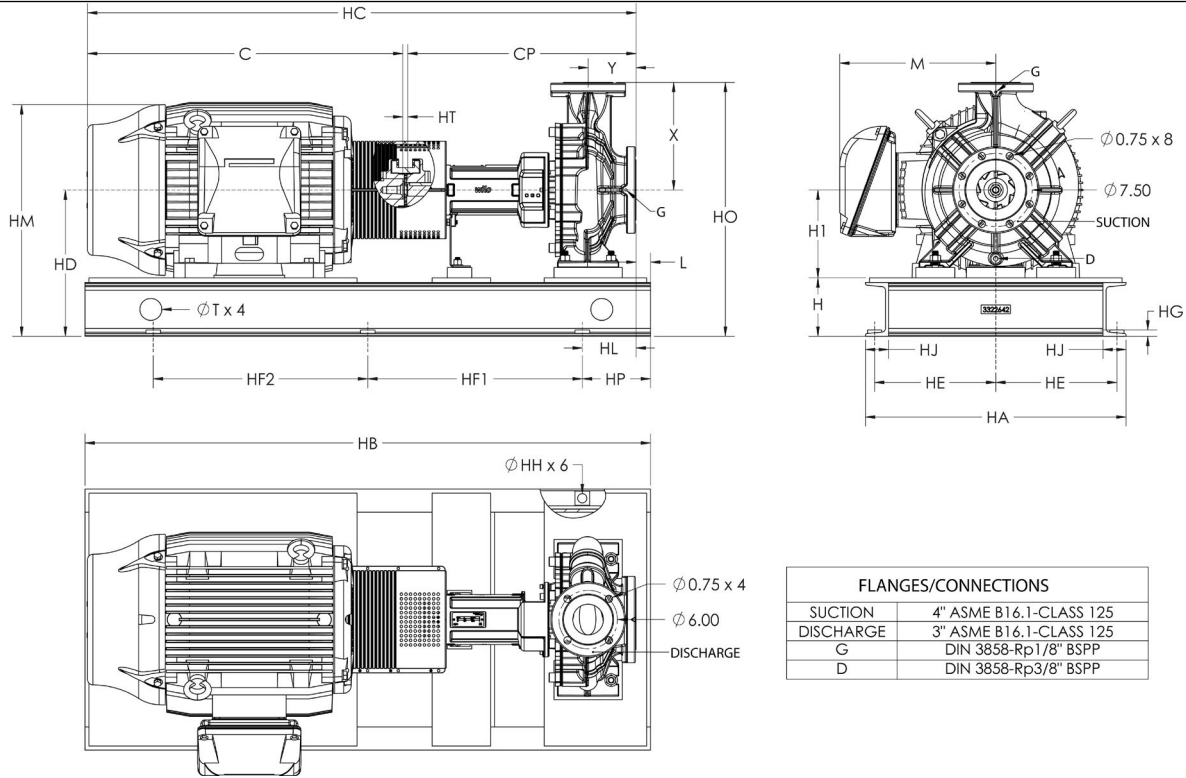
# Submittal Data Sheet

## Wilo NL-HE - Base Mounted End Suction Pumps



### Dimensions & Weights

#### Wilo NL-HE



FLANGES/CONNECTIONS	
SUCTION	4" ASME B16.1-CLASS 125
DISCHARGE	3" ASME B16.1-CLASS 125
G	DIN 3858-Rp1/8" BSPP
D	DIN 3858-Rp3/8" BSPP

#### NL-HE 4 x 3 x 8

Motor							Dimensions - Inches																								
HP	ENCL	Frame	Volt	RPM	EFF	PF	H	H1	X	HD	HO	HM	M	HA	HE	HG	HJ	Y	HT	HC	C	CP	L	HL	T	HH	HP	HF1	HF2	HB	Wt. (lb)
50	ODP	324TS	208-230/460	3560	93	0.85	5.9	8.0	9.8	13.9	23.7	23.6	13.4	23.7	10.9	0.64	2.4	4.9	0.50	48.2	24.3	23.4	1.18	4.83	2.25	0.95	6.0	20	20	52	872
50	TEFC	324/6TS	208-230/460	3550	93	0.89	5.9	8.0	9.8	13.9	23.7	24.3	12.6	23.7	10.9	0.64	2.4	4.9	0.50	53.5	29.6	23.4	1.18	4.83	2.25	0.95	6.0	20	20	52	1019
50	ODP	324TS	575	3560	93	0.85	5.9	8.0	9.8	13.9	23.7	23.6	13.4	23.7	10.9	0.64	2.4	4.9	0.50	48.2	24.3	23.4	1.18	4.83	2.25	0.95	6.0	20	20	52	869
50	TEFC	324/6TS	575	3550	93	0.89	5.9	8.0	9.8	13.9	23.7	24.3	12.6	23.7	10.9	0.64	2.4	4.9	0.50	53.5	29.6	23.4	1.18	4.83	2.25	0.95	6.0	20	20	52	1015
60	ODP	324/6TS	208-230/460	3560	93.6	0.85	5.9	8.0	9.8	13.9	23.7	23.6	13.4	23.7	10.9	0.64	2.4	4.9	0.50	49.8	25.8	23.4	1.18	4.83	2.25	0.95	6.0	20	20	52	924
60	TEFC	364/5TS	208-230/460	3560	93.6	0.9	6.0	9.0	9.8	15.0	24.8	24.0	16.0	26.7	12.4	0.64	2.4	4.9	0.50	56.3	32.3	23.4	1.33	5.68	2.25	0.95	7.0	22	22	58	1377
60	ODP	324/6TS	575	3560	93.6	0.85	5.9	8.0	9.8	13.9	23.7	23.6	13.4	23.7	10.9	0.64	2.4	4.9	0.50	49.8	25.8	23.4	1.18	4.83	2.25	0.95	6.0	20	20	52	921
60	TEFC	364/5TS	575	3560	93.6	0.9	6.0	9.0	9.8	15.0	24.8	24.0	16.0	26.7	12.4	0.64	2.4	4.9	0.50	56.3	32.3	23.4	1.33	5.68	2.25	0.95	7.0	22	22	58	1373
75	ODP	364/5TS	208-230/460	3555	93.6	0.87	5.9	9.0	9.8	14.9	24.7	27.1	15.6	23.7	10.9	0.64	2.4	4.9	0.50	51.5	27.5	23.4	1.08	4.93	2.25	0.95	6.0	20	20	52	1163
75	TEFC	364/5TS	208-230/460	3555	93.6	0.9	6.0	9.0	9.8	15.0	24.8	24.0	16.0	26.7	12.4	0.64	2.4	4.9	0.50	56.3	32.3	23.4	1.33	5.68	2.25	0.95	7.0	22	22	58	1382
75	ODP	364/5TS	575	3555	93.6	0.87	5.9	9.0	9.8	14.9	24.7	27.1	15.6	23.7	10.9	0.64	2.4	4.9	0.50	51.5	27.5	23.4	1.08	4.93	2.25	0.95	6.0	20	20	52	1159
75	TEFC	364/5TS	575	3555	93.6	0.9	6.0	9.0	9.8	15.0	24.8	24.0	16.0	26.7	12.4	0.64	2.4	4.9	0.50	56.3	32.3	23.4	1.33	5.68	2.25	0.95	7.0	22	22	58	1374
100	ODP	364/5TS	208-230/460	3555	93.6	0.87	5.9	9.0	9.8	14.9	24.7	27.1	15.6	23.7	10.9	0.64	2.4	4.9	0.50	51.5	27.5	23.4	1.08	4.93	2.25	0.95	6.0	20	20	52	1182
100	TEFC	404/5TS	208-230/460	3545	94.1	0.89	6.0	10.0	9.8	16.0	25.8	25.6	16.0	26.7	12.4	0.64	2.4	4.9	0.50	60.6	36.7	23.4	1.33	5.68	2.25	0.95	7.0	22	22	58	1656
100	ODP	364/5TS	575	3555	93.6	0.87	5.9	9.0	9.8	14.9	24.7	27.1	15.6	23.7	10.9	0.64	2.4	4.9	0.50	51.5	27.5	23.4	1.08	4.93	2.25	0.95	6.0	20	20	52	1176
100	TEFC	404/5TS	575	3545	94.1	0.89	6.0	10.0	9.8	16.0	25.8	25.6	16.0	26.7	12.4	0.64	2.4	4.9	0.50	60.6	36.7	23.4	1.33	5.68	2.25	0.95	7.0	22	22	58	1652

# Submittal Data Sheet

Wilco NL-HE - Base Mounted End Suction Pumps

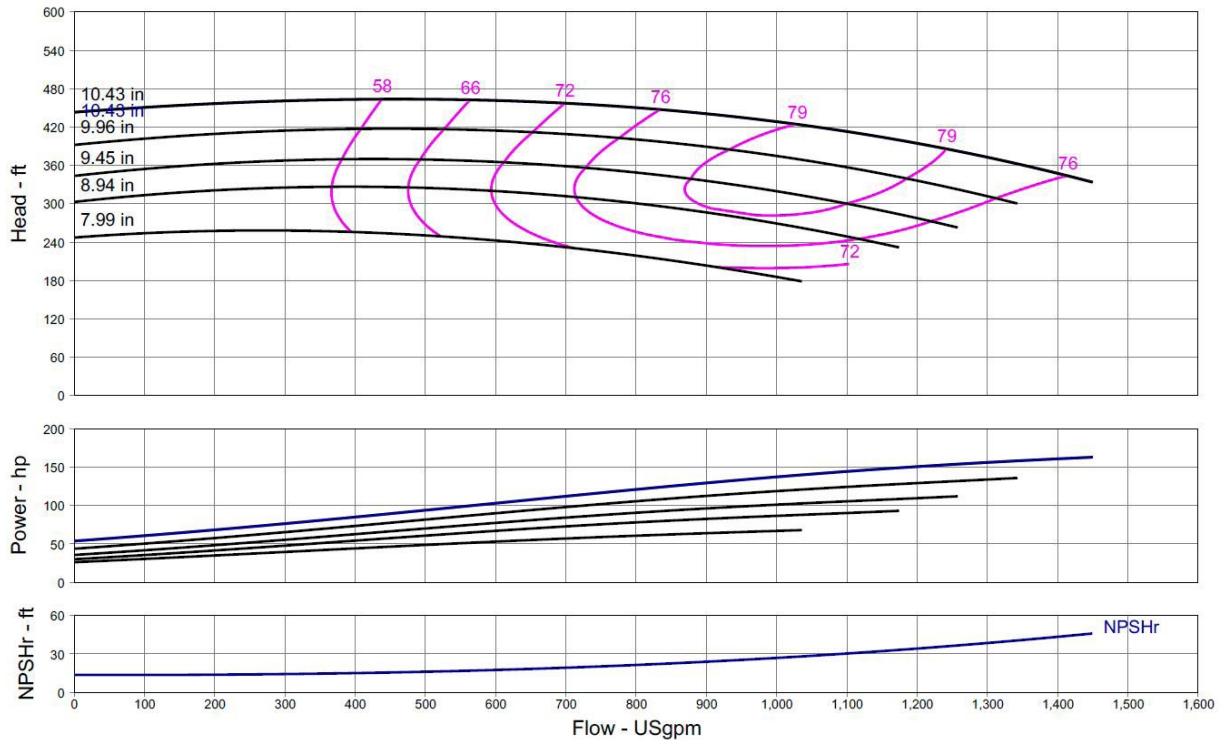


## NL-HE 4 x 3 x 10 (2 Pole)



Project:	
Engineer:	
Contractor:	
Submitted By:	Date:
Approved By:	Date:

Tag #	Model #	Flow (USGPM)	Head (Feet)	HP	Enclosure	Frame	Cycle	Phase	Voltage	RPM
	NL-HE 4 x 3 x 10						60Hz	3		



Technical Data	
PEI	
0.95	
Approved Fluids	
Heating Water	
Cooling and cold water	
Pressure /Temperature Ratings	
Ambient Temperature:	+5 °F to +104 °F (-15 °C to +40 °C)
Max Working Pressure & Temperature:	189 psi (up to 284 °F Fluid Temperature) 232 psi (up to 248 °F Fluid Temperature)
Water-Glycol Mixtures for 20-40% glycol and fluid temp ≤ 104°F (40°C)	

Materials of Construction	
Pump Housing	EN-GL-250 Gray Cast Iron
Impeller	EN 1.4408 Cast Stainless Steel
Impeller (optional)	CC480K Bronze or EN-GJL 1030 Cast Iron
Pump Shaft	1.4021 + QT700 Stainless Steel
Mechanical Seal	Carbon/silicon carbide/EPDM (E1)
Other Mechanical Seals	Avail. on request
Additional Spacer Coupling	Avail. on request
Other:	



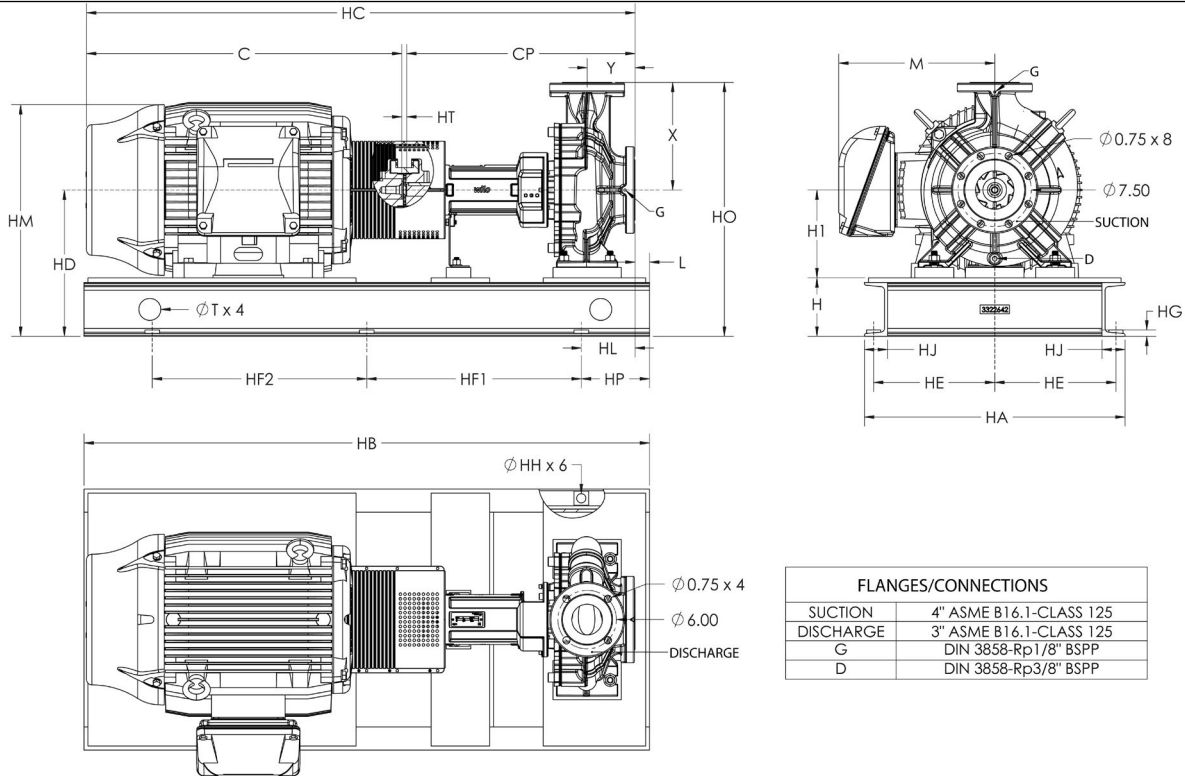
# Submittal Data Sheet

## Wilo NL-HE - Base Mounted End Suction Pumps



### Dimensions & Weights

#### Wilo NL-HE



FLANGES/CONNECTIONS	
SUCTION	4" ASME B16.1-CLASS 125
DISCHARGE	3" ASME B16.1-CLASS 125
G	DIN 3858-Rp1/8" BSPP
D	DIN 3858-Rp3/8" BSPP

#### NL-HE 4 x 3 x 10

Motor							Dimensions - Inches																				Wt. (lb)				
HP	ENCL	Frame	Volt	RPM	EFF	PF	H	H1	X	HD	HO	HM	M	HA	HE	HG	HJ	Y	HT	HC	C	CP	L	HL	T	HH		HP	HF1	HF2	HB
75	ODP	364/5TS	208-230/460	3555	93.6	0.87	5.9	9.0	11.0	14.9	25.9	27.1	15.6	23.7	10.9	0.64	2.4	4.9	0.50	51.5	27.5	23.4	1.03	4.98	2.25	0.95	6.0	20	20	52	1200
75	TEFC	364/5TS	208-230/460	3555	93.6	0.9	6.0	9.0	11.0	15.0	26.0	24.0	16.0	26.7	12.4	0.64	2.4	4.9	0.50	56.3	32.3	23.4	1.48	5.53	2.25	0.95	7.0	22	22	58	1419
75	ODP	364/5TS	575	3555	93.6	0.87	5.9	9.0	11.0	14.9	25.9	27.1	15.6	23.7	10.9	0.64	2.4	4.9	0.50	51.5	27.5	23.4	1.03	4.98	2.25	0.95	6.0	20	20	52	1196
75	TEFC	364/5TS	575	3555	93.6	0.9	6.0	9.0	11.0	15.0	26.0	24.0	16.0	26.7	12.4	0.64	2.4	4.9	0.50	56.3	32.3	23.4	1.48	5.53	2.25	0.95	7.0	22	22	58	1411
100	ODP	364/5TS	208-230/460	3555	93.6	0.87	5.9	9.0	11.0	14.9	25.9	27.1	15.6	23.7	10.9	0.64	2.4	4.9	0.50	51.5	27.5	23.4	1.03	4.98	2.25	0.95	6.0	20	20	52	1219
100	TEFC	404/5TS	208-230/460	3545	94.1	0.89	6.1	10.0	11.0	16.1	27.1	25.6	16.0	28.7	13.4	0.64	2.4	4.9	0.50	60.6	36.7	23.4	1.18	5.83	2.25	0.95	7.0	24	24	62	1766
100	ODP	364/5TS	575	3555	93.6	0.87	5.9	9.0	11.0	14.9	25.9	27.1	15.6	23.7	10.9	0.64	2.4	4.9	0.50	51.5	27.5	23.4	1.03	4.98	2.25	0.95	6.0	20	20	52	1213
100	TEFC	404/5TS	575	3545	94.1	0.89	6.1	10.0	11.0	16.1	27.1	25.6	16.0	28.7	13.4	0.64	2.4	4.9	0.50	60.6	36.7	23.4	1.18	5.83	2.25	0.95	7.0	24	24	62	1762