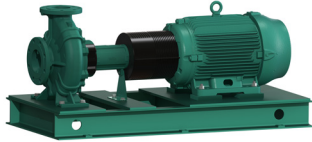


Submittal Data Sheet

Wilo NL-HE – Base Mounted End Suction Pumps

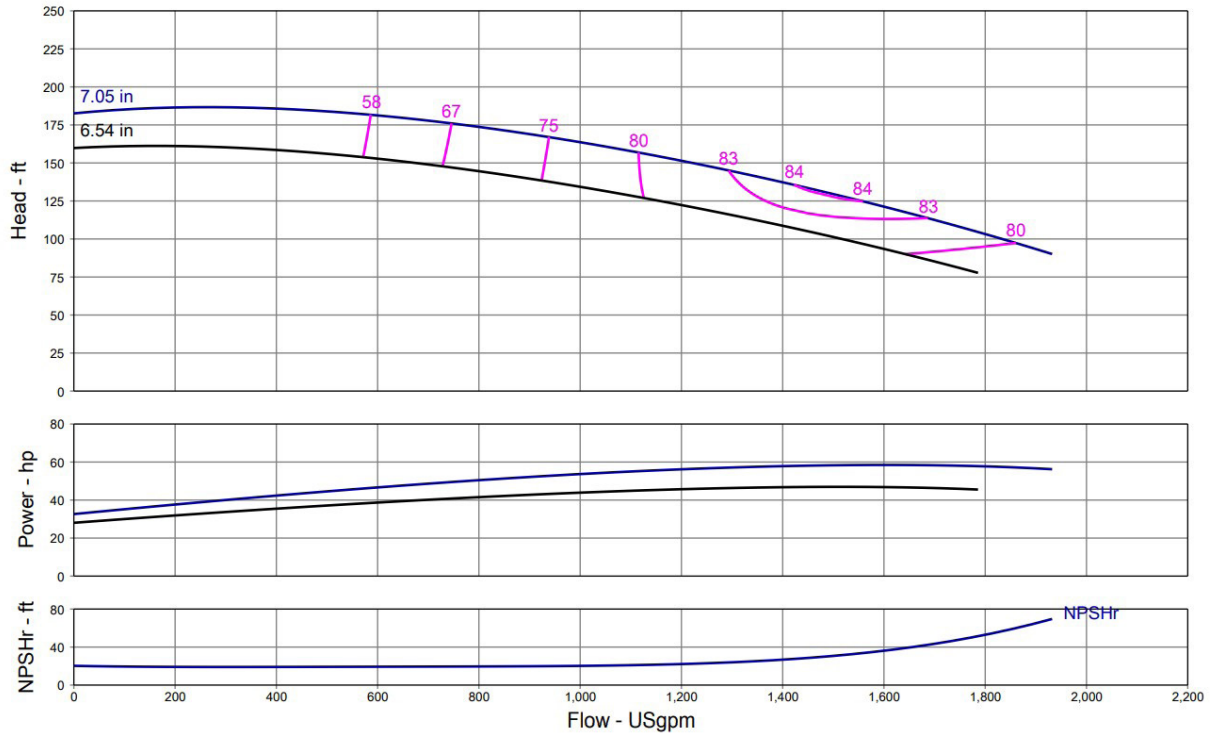


NL-HE 5 x 4 x 6 (2 Pole)



Project:	
Engineer:	
Contractor:	
Submitted By:	Date:
Approved By:	Date:

Tag #	Model #	Flow (USGPM)	Head (Feet)	HP	Enclosure	Frame	Cycle	Phase	Voltage	RPM
	NL-HE 5 x 4 x 6						60Hz	3		



Technical Data	
PEI	
0.93	
Approved Fluids	
Heating Water	
Cooling and cold water	
Pressure /Temperature Ratings	
Ambient Temperature:	+5 °F to +104 °F (-15 °C to +40 °C)
Max Working Pressure & Temperature:	189 psi (up to 284 °F Fluid Temperature) 232 psi (up to 248 °F Fluid Temperature)
Water-Glycol Mixtures for 20-40% glycol and fluid temp ≤ 104°F (40°C)	

Materials of Construction	
Pump Housing	EN-GL-250 Gray Cast Iron
Impeller	EN 1.4408 Cast Stainless Steel
Impeller (optional)	CC480K Bronze or EN-GJL 1030 Cast Iron
Pump Shaft	1.4021 + QT700 Stainless Steel
Mechanical Seal	Carbon/silicon carbide/EPDM (E1)
Other Mechanical Seals	Avail. on request
Additional Spacer Coupling	Avail. on request
Other:	

Approval Stamp

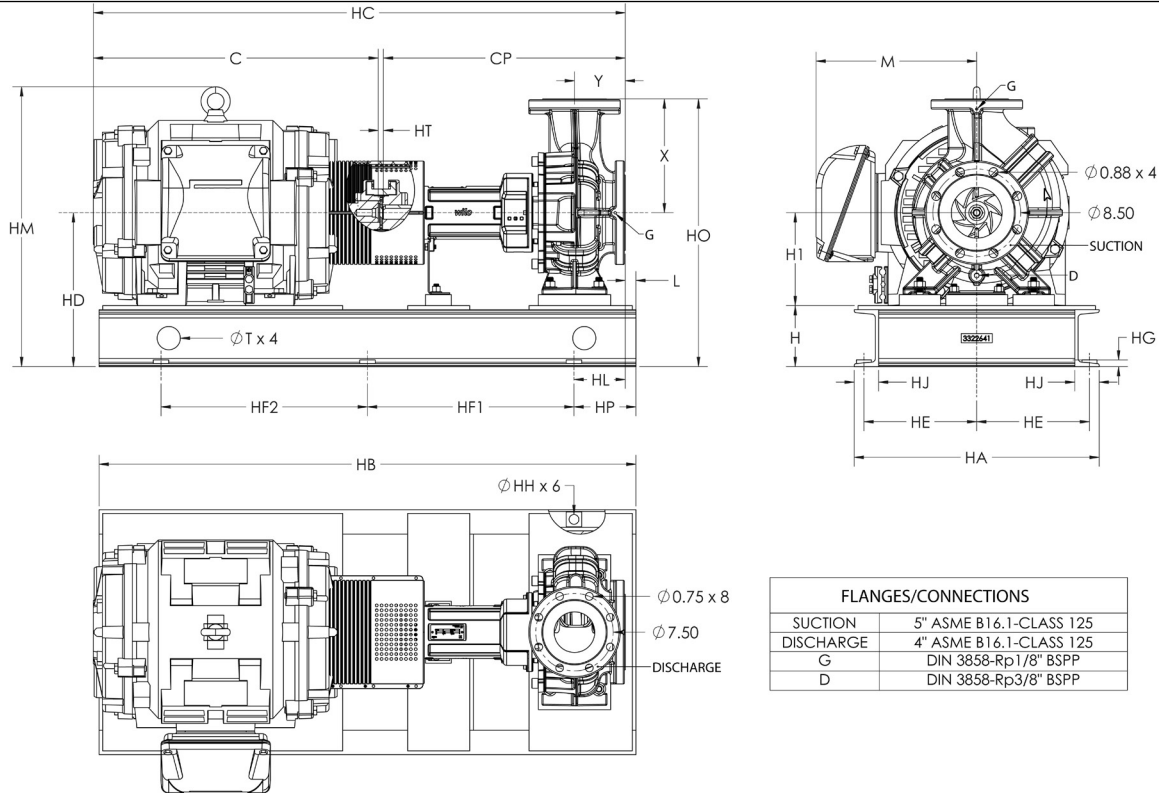
Submittal Data Sheet

Wilo NL-HE - Base Mounted End Suction Pumps



Dimensions & Weights

Wilo NL-HE



FLANGES/CONNECTIONS	
SUCTION	5" ASME B16.1-CLASS 125
DISCHARGE	4" ASME B16.1-CLASS 125
G	DIN 3858-Rp1/8" BSPP
D	DIN 3858-Rp3/8" BSPP

NL-HE 5 x 4 x 6

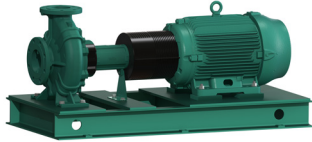
Motor							Dimensions - Inches																								
HP	ENCL	Frame	Volt	RPM	EFF	PF	H	H1	X	HD	HO	HM	M	HA	HE	HG	HJ	Y	HT	HC	C	CP	L	HL	T	HH	HP	HF1	HF2	HB	Wt. (lb)
50	ODP	324TS	208-230/460	3560	93	0.85	5.9	8.0	11	13.9	24.9	23.6	13.4	23.7	10.9	0.64	2.4	4.9	0.50	48.2	24.3	23.4	1.03	4.98	2.25	0.95	6.0	20	20	52	881
50	TEFC	324/6TS	208-230/460	3550	93	0.89	5.9	8.0	11	13.9	24.9	24.3	12.6	23.7	10.9	0.64	2.4	4.9	0.50	53.5	29.6	23.4	1.08	4.93	2.25	0.95	6.0	20	20	52	1028
50	ODP	324TS	575	3560	93	0.85	5.9	8.0	11	13.9	24.9	23.6	13.4	23.7	10.9	0.64	2.4	4.9	0.50	48.2	24.3	23.4	1.03	4.98	2.25	0.95	6.0	20	20	52	878
50	TEFC	324/6TS	575	3550	93	0.89	5.9	8.0	11	13.9	24.9	24.3	12.6	23.7	10.9	0.64	2.4	4.9	0.50	53.5	29.6	23.4	1.08	4.93	2.25	0.95	6.0	20	20	52	1024
60	ODP	324/6TS	208-230/460	3560	93.6	0.85	5.9	8.0	11	13.9	24.9	23.6	13.4	23.7	10.9	0.64	2.4	4.9	0.50	49.8	25.8	23.4	1.03	4.98	2.25	0.95	6.0	20	20	52	933
60	TEFC	364/5TS	208-230/460	3560	93.6	0.9	6.0	9.0	11	15.0	26.0	24.0	16.0	26.7	12.4	0.64	2.4	4.9	0.50	56.3	32.3	23.4	1.58	5.43	2.25	0.95	7.0	22	22	58	1388
60	ODP	324/6TS	575	3560	93.6	0.85	5.9	8.0	11	13.9	24.9	23.6	13.4	23.7	10.9	0.64	2.4	4.9	0.50	49.8	25.8	23.4	1.03	4.98	2.25	0.95	6.0	20	20	52	930
60	TEFC	364/5TS	575	3560	93.6	0.9	6.0	9.0	11	15.0	26.0	24.0	16.0	26.7	12.4	0.64	2.4	4.9	0.50	56.3	32.3	23.4	1.58	5.43	2.25	0.95	7.0	22	22	58	1384
75	ODP	364/5TS	208-230/460	3555	93.6	0.87	5.9	9.0	11	14.9	25.9	27.1	15.6	23.7	10.9	0.64	2.4	4.9	0.50	51.5	27.5	23.4	1.03	4.98	2.25	0.95	6.0	20	20	52	1174
75	TEFC	364/5TS	208-230/460	3555	93.6	0.9	6.0	9.0	11	15.0	26.0	24.0	16.0	26.7	12.4	0.64	2.4	4.9	0.50	56.3	32.3	23.4	1.58	5.43	2.25	0.95	7.0	22	22	58	1393
75	ODP	364/5TS	575	3555	93.6	0.87	5.9	9.0	11	14.9	25.9	27.1	15.6	23.7	10.9	0.64	2.4	4.9	0.50	51.5	27.5	23.4	1.03	4.98	2.25	0.95	6.0	20	20	52	1170
75	TEFC	364/5TS	575	3555	93.6	0.9	6.0	9.0	11	15.0	26.0	24.0	16.0	26.7	12.4	0.64	2.4	4.9	0.50	56.3	32.3	23.4	1.58	5.43	2.25	0.95	7.0	22	22	58	1385

Submittal Data Sheet

Wilo NL-HE – Base Mounted End Suction Pumps

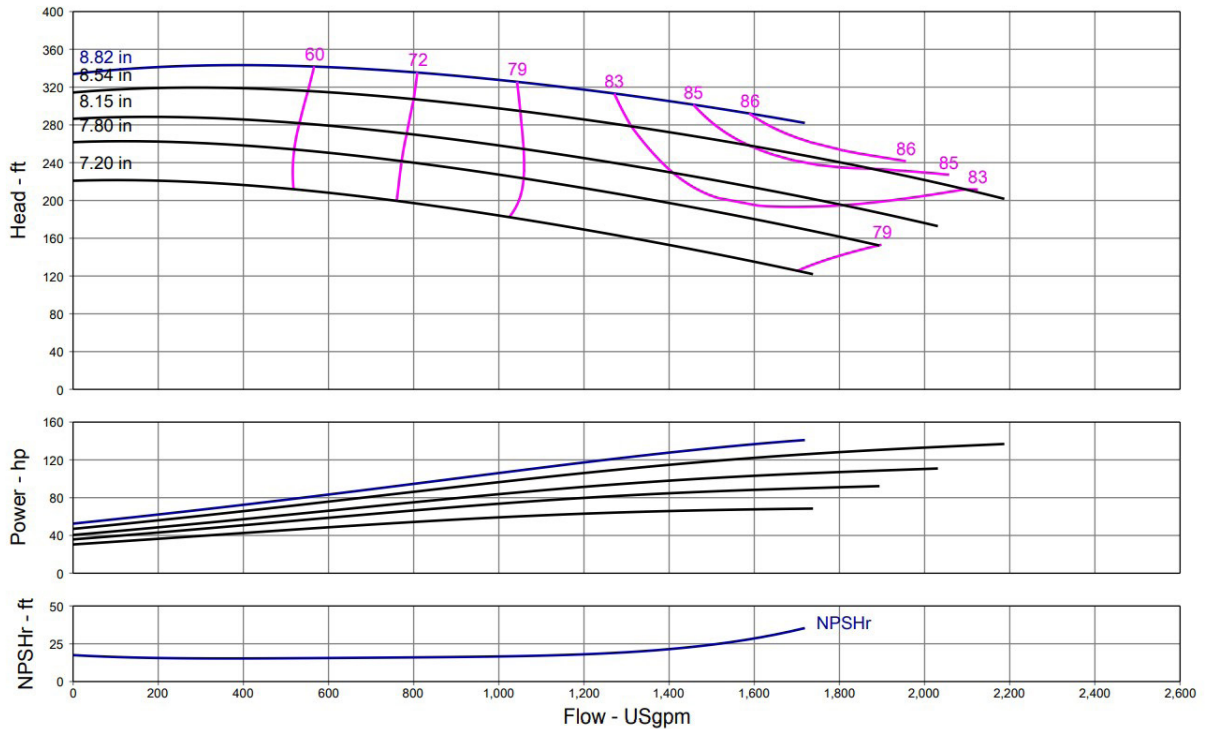


NL-HE 5 x 4 x 8 (2 Pole)



Project:	
Engineer:	
Contractor:	
Submitted By:	Date:
Approved By:	Date:

Tag #	Model #	Flow (USGPM)	Head (Feet)	HP	Enclosure	Frame	Cycle	Phase	Voltage	RPM
	NL-HE 5 x 4 x 8						60Hz	3		



Technical Data	
PEI	
0.91	
Approved Fluids	
Heating Water	
Cooling and cold water	
Pressure /Temperature Ratings	
Ambient Temperature:	+5 °F to +104 °F (-15 °C to +40 °C)
Max Working Pressure & Temperature:	189 psi (up to 284 °F Fluid Temperature) 232 psi (up to 248 °F Fluid Temperature)
Water-Glycol Mixtures for 20-40% glycol and fluid temp ≤ 104°F (40°C)	

Materials of Construction	
Pump Housing	EN-GL-250 Gray Cast Iron
Impeller	EN 1.4408 Cast Stainless Steel
Impeller (optional)	CC480K Bronze or EN-GJL 1030 Cast Iron
Pump Shaft	1.4021 + QT700 Stainless Steel
Mechanical Seal	Carbon/silicon carbide/EPDM (E1)
Other Mechanical Seals	Avail. on request
Additional Spacer Coupling	Avail. on request
Other:	



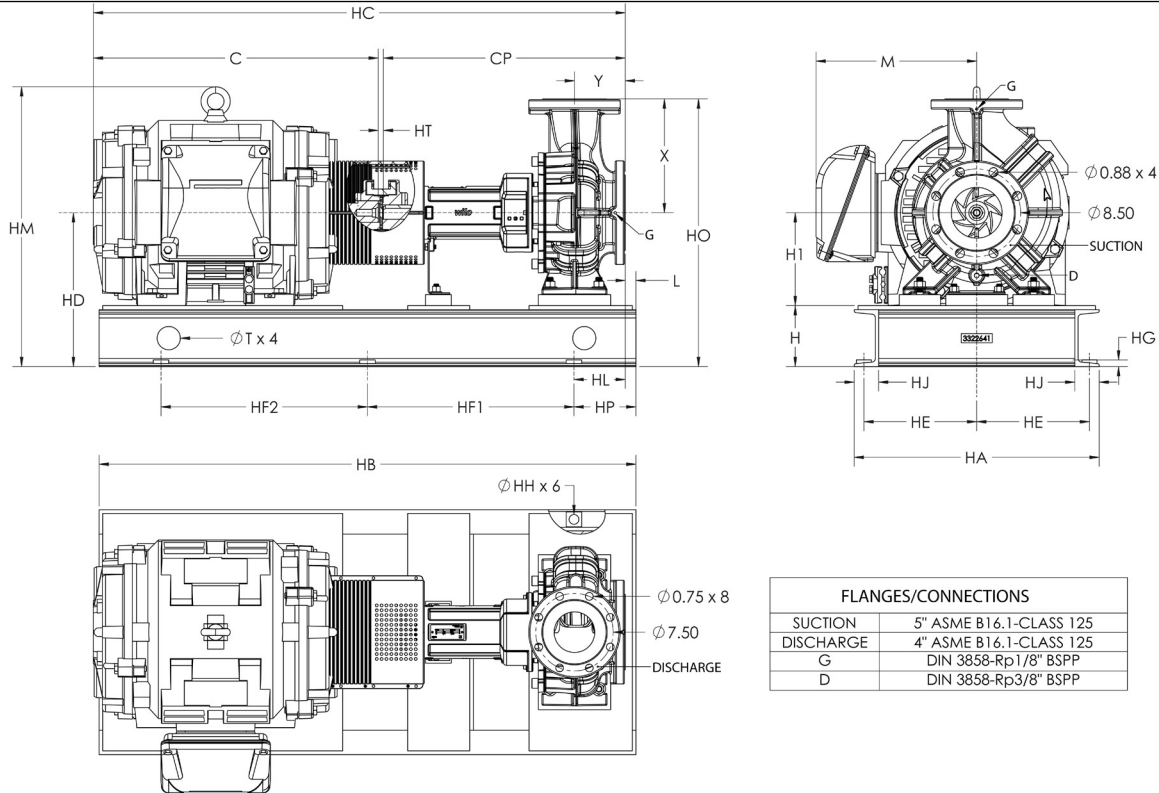
Submittal Data Sheet

Wilo NL-HE - Base Mounted End Suction Pumps



Dimensions & Weights

Wilo NL-HE



FLANGES/CONNECTIONS	
SUCTION	5" ASME B16.1-CLASS 125
DISCHARGE	4" ASME B16.1-CLASS 125
G	DIN 3858-Rp1/8" BSPP
D	DIN 3858-Rp3/8" BSPP

NL-HE 5 x 4 x 8

Motor								Dimensions - Inches																							
HP	ENCL	Frame	Volt	RPM	EFF	PF	H	H1	X	HD	HO	HM	M	HA	HE	HG	HJ	Y	HT	HC	C	CP	L	HL	T	HH	HP	HF1	HF2	HB	Wt. (lb)
75	ODP	364/STS	208-230/460	3555	93.6	0.87	5.9	9	11	14.9	25.9	27.1	15.6	23.7	10.9	0.64	2.4	4.9	0.50	51.5	27.5	23.4	1.03	4.98	2.25	0.95	6.0	20	20	52	1183
75	TEFC	364/STS	208-230/460	3555	93.6	0.9	6.0	9	11	15.0	26.0	24.0	16.0	26.7	12.4	0.64	2.4	4.9	0.50	56.3	32.3	23.4	1.58	5.43	2.25	0.95	7.0	22	22	58	1406
75	ODP	364/STS	575	3555	93.6	0.87	5.9	9	11	14.9	25.9	27.1	15.6	23.7	10.9	0.64	2.4	4.9	0.50	51.5	27.5	23.4	1.03	4.98	2.25	0.95	6.0	20	20	52	1183
75	TEFC	364/STS	575	3555	93.6	0.9	6.0	9	11	15.0	26.0	24.0	16.0	26.7	12.4	0.64	2.4	4.9	0.50	56.3	32.3	23.4	1.58	5.43	2.25	0.95	7.0	22	22	58	1398
100	ODP	364/STS	208-230/460	3555	93.6	0.87	5.9	9	11	14.9	25.9	27.1	15.6	23.7	10.9	0.64	2.4	4.9	0.50	51.5	27.5	23.4	1.03	4.98	2.25	0.95	6.0	20	20	52	1206
100	TEFC	404/STS	208-230/460	3545	94.1	0.89	6.1	10	11	16.1	27.1	25.6	16.0	28.7	13.4	0.64	2.4	4.9	0.50	60.6	36.7	23.4	1.38	5.63	2.25	0.95	7.0	24	24	62	1753
100	ODP	364/STS	575	3555	93.6	0.87	5.9	9	11	14.9	25.9	27.1	15.6	23.7	10.9	0.64	2.4	4.9	0.50	51.5	27.5	23.4	1.03	4.98	2.25	0.95	6.0	20	20	52	1200
100	TEFC	404/STS	575	3545	94.1	0.89	6.1	10	11	16.1	27.1	25.6	16.0	28.7	13.4	0.64	2.4	4.9	0.50	60.6	36.7	23.4	1.38	5.63	2.25	0.95	7.0	24	24	62	1749
125	ODP	404/STS	208-230/460	3557	94.1	0.88	6.0	10	11	16.0	27.0	28.2	15.6	26.7	12.4	0.64	2.4	4.9	0.50	54.9	31.0	23.4	1.33	5.68	2.25	0.95	7.0	22	22	58	1442
125	TEFC	444/STS	208-230/460	3570	95	0.89	7.7	11	11	18.7	29.7	30.5	18.6	30.5	14.2	0.72	2.8	4.9	0.50	65.3	41.4	23.4	1.83	6.18	3.00	1.10	8.0	28	28	72	2525
125	ODP	404/STS	575	3557	94.1	0.88	6.0	10	11	16.0	27.0	28.2	15.6	26.7	12.4	0.64	2.4	4.9	0.50	54.9	31.0	23.4	1.33	5.68	2.25	0.95	7.0	22	22	58	1437
125	TEFC	444/STS	575	3570	95	0.89	7.7	11	11	18.7	29.7	30.5	18.6	30.5	14.2	0.72	2.8	4.9	0.50	65.3	41.4	23.4	1.83	6.18	3.00	1.10	8.0	28	28	72	2514
150	ODP	404/STS	460	3552	94.1	0.88	6.0	10	11	16.0	27.0	28.2	15.6	26.7	12.4	0.64	2.4	4.9	0.50	54.9	31.0	23.4	1.33	5.68	2.25	0.95	7.0	22	22	58	1455
150	TEFC	444/STS	208-230/460	3570	95	0.89	7.7	11	11	18.7	29.7	30.5	18.6	30.5	14.2	0.72	2.8	4.9	0.50	65.3	41.4	23.4	1.83	6.18	3.00	1.10	8.0	28	28	72	2617
150	ODP	404/STS	575	3552	94.1	0.88	6.0	10	11	16.0	27.0	28.2	15.6	26.7	12.4	0.64	2.4	4.9	0.50	54.9	31.0	23.4	1.33	5.68	2.25	0.95	7.0	22	22	58	1454
150	TEFC	444/STS	575	3570	95	0.89	7.7	11	11	18.7	29.7	30.5	18.6	30.5	14.2	0.72	2.8	4.9	0.50	65.3	41.4	23.4	1.83	6.18	3.00	1.10	8.0	28	28	72	2609

Submittal Data Sheet

Wilo NL-HE – Base Mounted End Suction Pumps

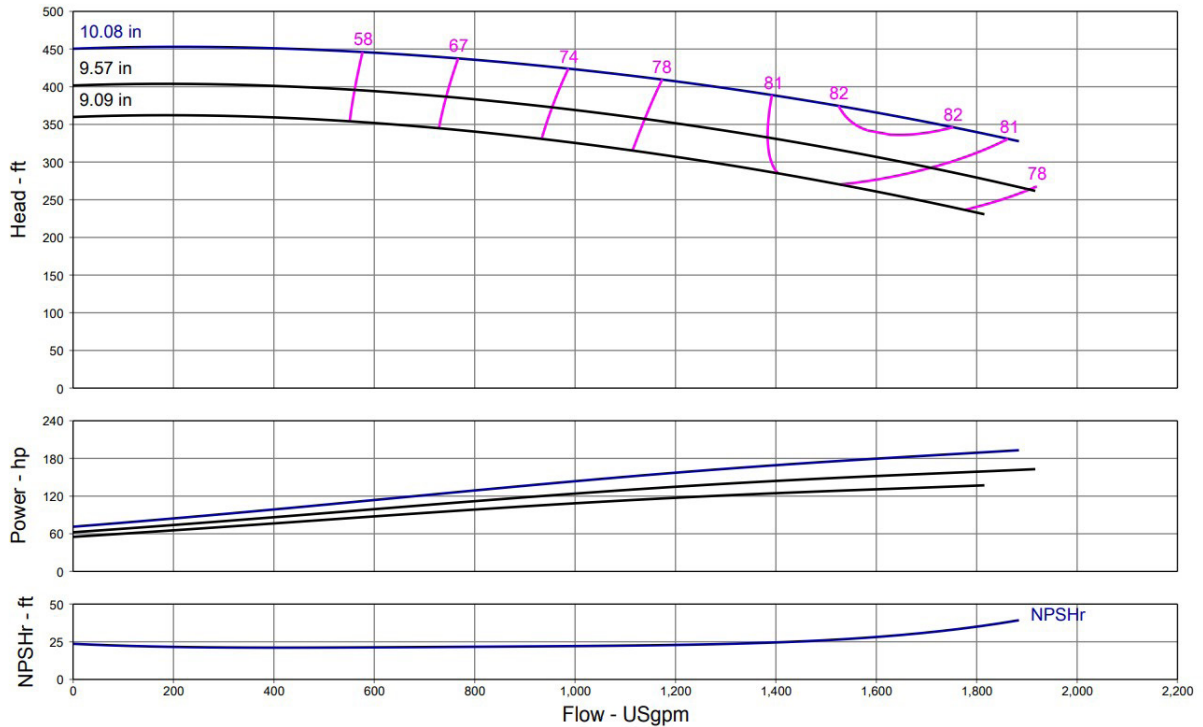


NL-HE 5 x 4 x 10.1 (2 Pole)



Project:	
Engineer:	
Contractor:	
Submitted By:	Date:
Approved By:	Date:

Tag #	Model #	Flow (USGPM)	Head (Feet)	HP	Enclosure	Frame	Cycle	Phase	Voltage	RPM
	NL-HE 5 x 4 x 10.1						60Hz	3		



Technical Data	
Approved Fluids	
Heating Water	
Cooling and cold water	
Pressure /Temperature Ratings	
Ambient Temperature:	+5 °F to +104 °F (-15 °C to +40 °C)
Max Working Pressure & Temperature:	189 psi (up to 284 °F Fluid Temperature) 232 psi (up to 248 °F Fluid Temperature)
Water-Glycol Mixtures for 20-40% glycol and fluid temp ≤ 104°F (40°C)	

Materials of Construction	
Pump Housing	EN-GL-250 Gray Cast Iron
Impeller	EN 1.4408 Cast Stainless Steel
Impeller (optional)	CC480K Bronze or EN-GJL 1030 Cast Iron
Pump Shaft	1.4021 + QT700 Stainless Steel
Mechanical Seal	Carbon/silicon carbide/EPDM (E1)
Other Mechanical Seals	Avail. on request
Additional Spacer Coupling	Avail. on request
Other:	

Approval Stamp

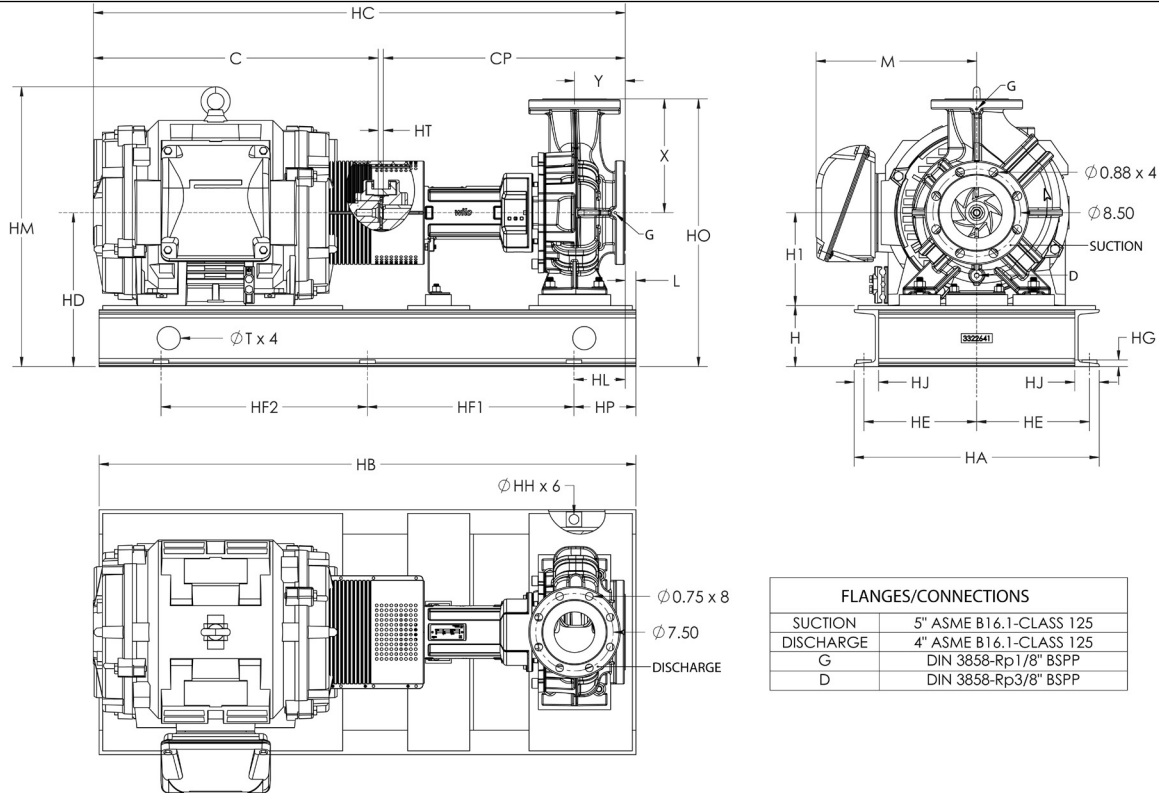
Submittal Data Sheet

Wilo NL-HE - Base Mounted End Suction Pumps



Dimensions & Weights

Wilo NL-HE



FLANGES/CONNECTIONS	
SUCTION	5" ASME B16.1-CLASS 125
DISCHARGE	4" ASME B16.1-CLASS 125
G	DIN 3858-Rp1/8" BSPP
D	DIN 3858-Rp3/8" BSPP

NL-HE 5 x 4 x 10.1

Motor							Dimensions - Inches																								
HP	ENCL	Frame	Volt	RPM	EFF	PF	H	H1	X	HD	HO	HM	M	HA	HE	HG	HJ	Y	HT	HC	C	CP	L	HL	T	HH	HP	HF1	HF2	HB	Wt. (lb)
150	ODP	404/5TS	460	3552	94.1	0.88	6.0	10	11	16.0	27.0	28.2	15.6	26.7	12.4	0.64	2.4	5.5	0.90	58.3	31.0	26.4	0.48	6.52	2.25	0.95	7.0	22	22	58	1493
150	TEFC	444/5TS	208-230/460	3570	95	0.89	7.7	11	11	18.7	29.7	30.5	18.6	30.5	14.2	0.72	2.8	5.5	0.50	68.3	41.4	26.4	0.98	7.02	3.00	1.10	8.0	28	28	72	2687
150	ODP	404/5TS	575	3552	94.1	0.88	6.0	10	11	16.0	27.0	28.2	15.6	26.7	12.4	0.64	2.4	5.5	0.90	58.3	31.0	26.4	0.48	6.52	2.25	0.95	7.0	22	22	58	1492
150	TEFC	444/5TS	575	3570	95	0.89	7.7	11	11	18.7	29.7	30.5	18.6	30.5	14.2	0.72	2.8	5.5	0.50	68.3	41.4	26.4	0.98	7.02	3.00	1.10	8.0	28	28	72	2679
200	ODP	444/5TS	460	3570	95	0.88	6.1	11	11	17.1	28.1	31.6	18.7	28.7	13.4	0.64	2.4	5.5	0.50	61.5	34.6	26.4	0.48	6.52	2.25	0.95	7.0	24	24	62	2000
200	TEFC	445/7TS	208-230/460	3570	95.4	0.9	7.7	11	11	18.7	29.7	35.2	20.6	30.5	14.2	0.72	2.8	5.5	0.50	71.8	44.9	26.4	1.43	6.57	3.00	1.10	8.0	27	27	70	3017
200	ODP	444/5TS	575	3570	95	0.88	6.1	11	11	17.1	28.1	31.6	18.7	28.7	13.4	0.64	2.4	5.5	0.50	61.5	34.6	26.4	0.48	6.52	2.25	0.95	7.0	24	24	62	2000
200	TEFC	445/7TS	575	3570	95.4	0.9	7.7	11	11	18.7	29.7	35.2	20.6	30.5	14.2	0.72	2.8	5.5	0.50	71.8	44.9	26.4	1.43	6.57	3.00	1.10	8.0	27	27	70	2991