

Submittal Data Sheet

In-line Centrifugal Pumps



Wilo-IL 1.25-125 - 1.25-195 (2 Pole)



Project:	
Engineer:	
Contractor:	
Submitted By:	Date:
Approved By:	Date:

Tag #	Model #	Flow	Head	HP	Cycle	Phase	Voltage	RPM
					60Hz			3500

Product Info

Brand	Wilo
Product Description	IL 1.25-125 - IL 1.25-195

Construction Materials

Pump Volute	Cast Iron EN-GJL-250
Impeller	Bronze (cast iron optional)
Shaft	316L stainless steel
Mechanical Seal	Q1Q1X4GG (silicium carbide seal faces, HNBR elastomers)

Motor Data

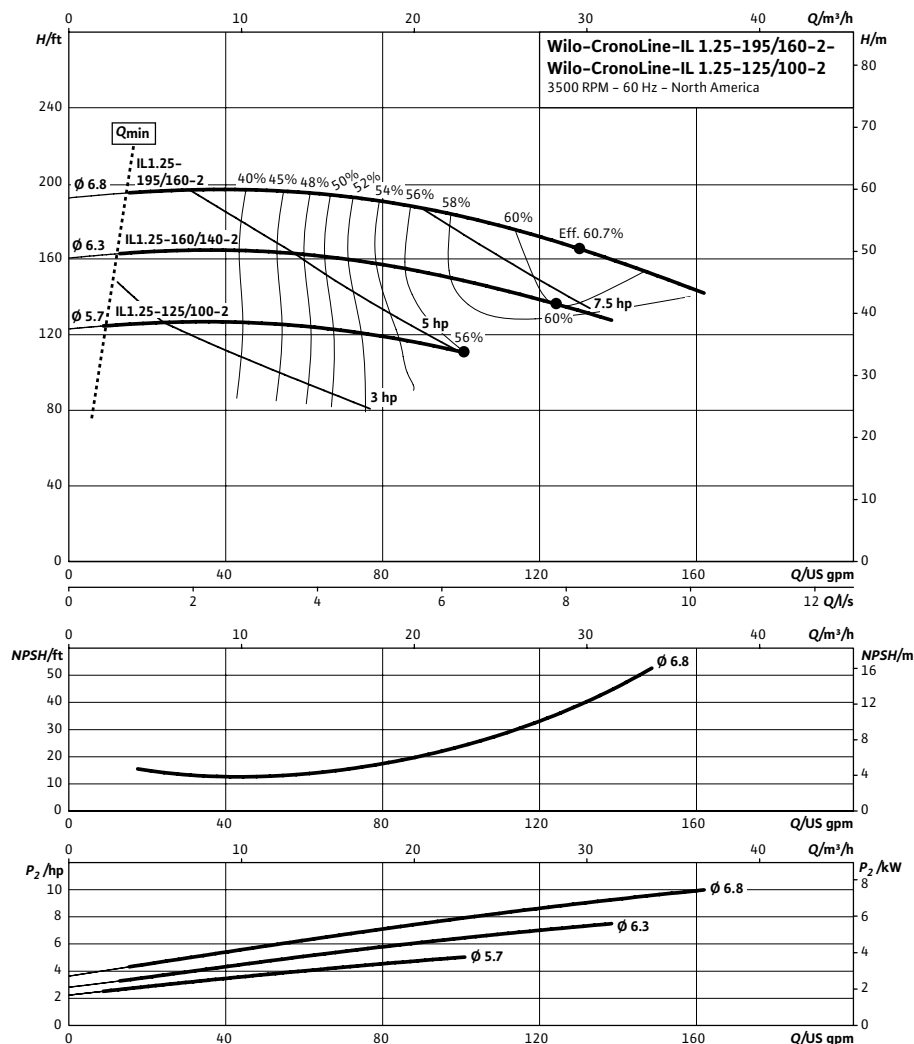
Power Supply	1~115/208-230 volt 3~208-230/460, 575 volt
Integrated full motor protection	integrated protection PTC/PTO on request (on-site trip unit required)
Protection Class	ODP (TEFC on request)
Insulation Class	F

Hydraulic Data

Flange Connection	1 1/4" Class 125 ANSI with 1/4" pressure gauge tapings
Max Operating Pressure	175 PSI (12 bar)
Min. Fluid Temp	-5°F (-20 °C)
Max Fluid Temp	285°F (140 °C)
Max. Ambient Temp	104°F (40 °C)

Application

- Hot water heating systems
- Air conditioning systems
- Closed cooling circuits
- Industrial circulation systems
- Solar Systems
- Geothermal Systems



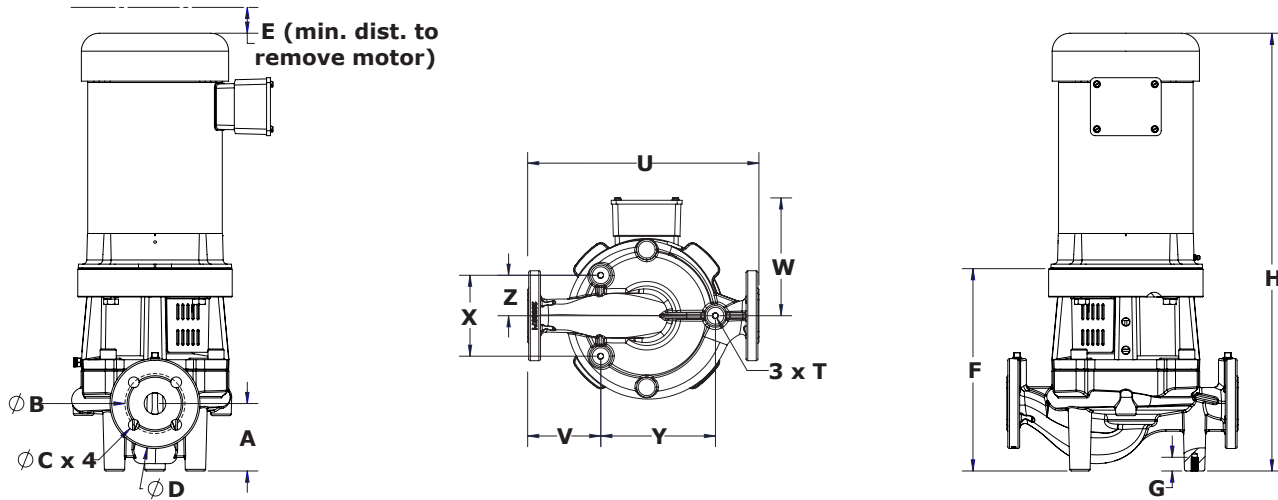
Approval Stamp

Submittal Data Sheet

In-line Centrifugal Pumps



Dimensions & Weights



Dimensions and Weights

Model	PEI	Voltage		P2	Phase	Dimensions (in)													Weight lbs
		[V]	Motor			[HP]	[~]	Dia	A	E	F	G	H	T	U	V	W	X	
IL 1.25-125/100-2	0.91	208/230-460	TEFC	5	3	1.25	3.94	2.9	11.81	0.79	25.55	3/8"-16	13.5	4.27	6.88	4.72	6.69	2.36	162
		208/230-460	ODP	5	3	1.25	3.94	2.9	11.81	0.79	25.53	3/8"-16	13.5	4.27	5.54	4.72	6.69	2.36	151
	575	TEFC	5	3	1.25	3.94	2.9	11.81	0.79	25.55	3/8"-16	13.5	4.27	6.88	4.72	6.69	2.36	161	
		ODP	5	3	1.25	3.94	2.87	11.81	0.79	23.74	3/8"-16	13.5	4.27	6.7	4.72	6.69	2.36	152	
IL 1.25-160/140-2	0.91	208/230-460	TEFC	7.5	3	1.25	3.94	3.4	11.81	0.79	27.03	3/8"-16	13.5	4.27	5.97	4.72	6.69	2.36	184
		208/230-460	ODP	7.5	3	1.25	3.94	2.9	11.81	0.79	24	3/8"-16	13.5	4.27	6.79	4.72	6.69	2.36	163
	575	TEFC	7.5	3	1.25	3.94	3.4	11.81	0.79	27.75	3/8"-16	13.5	4.27	5.97	4.72	6.69	2.36	189	
		ODP	7.5	3	1.25	3.94	2.9	11.81	0.79	24.13	3/8"-16	13.5	4.27	6.7	4.72	6.69	2.36	166	
IL 1.25-195/160-2	0.91	208/230-460	TEFC	10	3	1.25	3.94	3.3	11.81	0.79	27.15	3/8"-16	13.5	4.27	7.96	4.72	6.69	2.36	213
		208/230-460	ODP	10	3	1.25	3.94	3.4	11.81	0.79	25.56	3/8"-16	13.5	4.27	7.87	4.72	6.69	2.36	209
	575	TEFC	10	3	1.25	3.94	3.3	11.81	0.79	27.15	3/8"-16	13.5	4.27	8.05	4.72	6.69	2.36	206	
		ODP	10	3	1.25	3.94	3.4	11.81	0.79	25.47	3/8"-16	13.5	4.27	7.97	4.72	6.69	2.36	214	

Flange Dimensions

Dimensions - Inches

ϕB	$\phi C \times 4$	ϕD
3.5	0.63 x 4	5.25

Submittal Data Sheet

In-line Centrifugal Pumps



Wilo-IL 1.5-90 - 1.5-200 (2 Pole)



Project:								
Engineer:								
Contractor:								
Submitted By:						Date:		
Approved By:						Date:		

Tag #	Model #	Flow	Head	HP	Cycle	Phase	Voltage	RPM
					60Hz			3500

Product Info

Brand	Wilo
Product Description	IL 1.5-90 - IL 1.5-200

Construction Materials

Pump Volute	Cast Iron EN-GJL-250
Impeller	Bronze (cast iron optional)
Shaft	316L stainless steel
Mechanical Seal	Q1Q1X4GG (silicium carbide seal faces, HNBR elastomers)

Motor Data

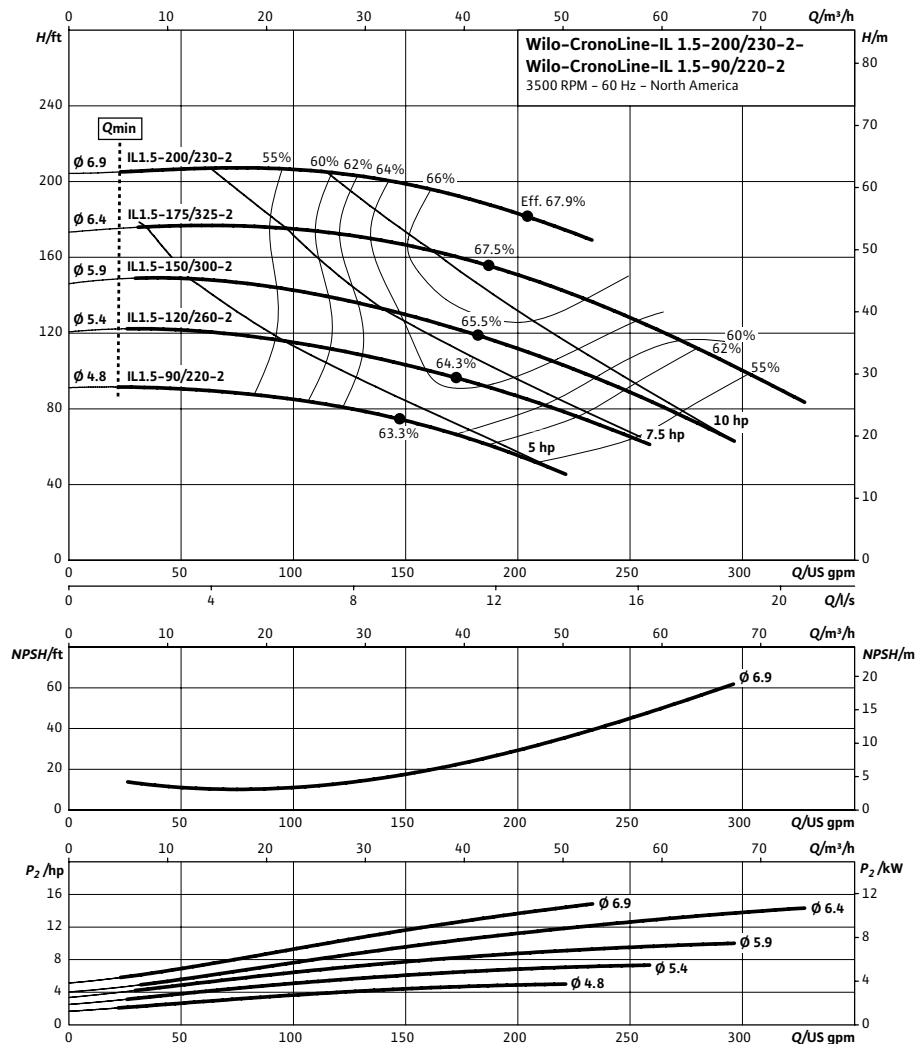
Power Supply	1~115/208-230 volt 3~208-230/460, 575 volt
Integrated full motor protection	integrated protection PTC/PTO on request (on-site trip unit required)
Protection Class	ODP (TEFC on request)
Insulation Class	F

Hydraulic Data

Flange Connection	1 1/4" Class 125 ANSI with 1/4" pressure gauge tapings
Max Operating Pressure	175 PSI (12 bar)
Min. Fluid Temp	-5°F (-20 °C)
Max Fluid Temp	285°F (140 °C)
Max. Ambient Temp	104°F (40 °C)

Application

- Hot water heating systems
- Air conditioning systems
- Closed cooling circuits
- Industrial circulation systems
- Solar Systems
- Geothermal Systems



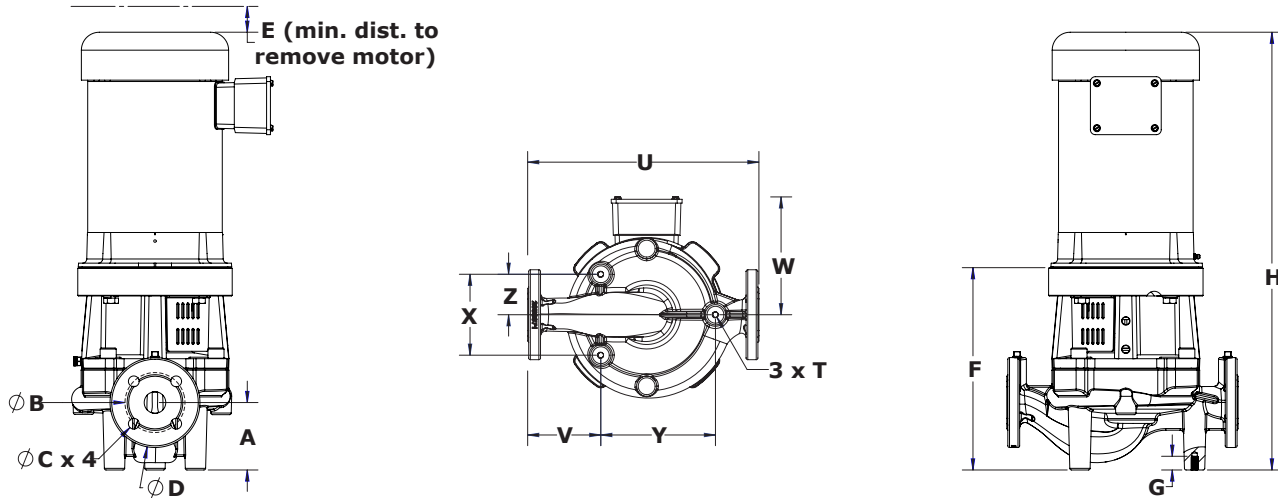
Approval Stamp

Submittal Data Sheet

In-line Centrifugal Pumps



Dimensions & Weights



Dimensions and Weights

Model	PEI	Voltage		P2	Phase	Dimensions (in)													Weight lbs
		[V]	Motor			[HP]	[~]	Dia	A	E	F	G	H	T	U	V	W	X	
IL 1.5-90/220-2	0.90	208/230-460	TEFC	5	3	1.50	3.23	2.9	11.65	0.79	25.4	3/8"-16	14.5	5.22	6.88	5.12	8.15	2.56	167
		208/230-460	ODP	5	3	1.50	3.23	2.9	11.65	0.79	25.37	3/8"-16	14.5	5.22	5.54	5.12	8.15	2.56	156
	575	TEFC	5	3	1.50	3.23	2.9	11.65	0.79	25.4	3/8"-16	14.5	5.22	6.88	5.12	8.15	2.56	166	
		ODP	5	3	1.50	3.23	2.87	11.65	0.79	23.58	3/8"-16	14.5	5.22	6.7	5.12	8.15	2.56	157	
IL 1.5-120/260-2	0.90	208/230-460	TEFC	7.5	3	1.50	3.23	3.38	11.65	0.79	26.88	3/8"-16	14.5	5.22	5.97	5.12	8.15	2.56	189
		208/230-460	ODP	7.5	3	1.50	3.23	2.87	11.65	0.79	23.83	3/8"-16	14.5	5.22	6.79	5.12	8.15	2.56	169
	575	TEFC	7.5	3	1.50	3.23	3.37	11.65	0.79	27.6	3/8"-16	14.5	5.22	5.97	5.12	8.15	2.56	194	
		ODP	7.5	3	1.50	3.23	2.87	11.65	0.79	23.98	3/8"-16	14.5	5.22	6.7	5.12	8.15	2.56	171	
IL 1.5-150/300-2	0.90	208/230-460	TEFC	10	3	1.50	3.23	3.34	11.65	0.79	27	3/8"-16	14.5	5.22	7.96	5.12	8.15	2.56	218
		208/230-460	ODP	10	3	1.50	3.23	3.37	11.65	0.79	25.4	3/8"-16	14.5	5.22	7.87	5.12	8.15	2.56	214
	575	TEFC	10	3	1.50	3.23	3.34	11.65	0.79	27	3/8"-16	14.5	5.22	8.05	5.12	8.15	2.56	211	
		ODP	10	3	1.50	3.23	3.38	11.65	0.79	25.31	3/8"-16	14.5	5.22	7.97	5.12	8.15	2.56	219	
IL 1.5-175/325-2	0.90	208/230-460	TEFC	15	3	1.50	3.23	3.37	11.65	0.79	29.62	3/8"-16	14.5	5.22	8.05	5.12	8.15	2.56	263
		208/230-460	ODP	15	3	1.50	3.23	3.4	11.65	0.79	27.02	3/8"-16	14.5	5.22	7.91	5.12	8.15	2.56	224
	575	TEFC	15	3	1.50	3.23	3.37	11.65	0.79	29.62	3/8"-16	14.5	5.22	8.05	5.12	8.15	2.56	262	
		ODP	15	3	1.50	3.23	3.4	11.65	0.79	26.1	3/8"-16	14.5	5.22	7.97	5.12	8.15	2.56	235	
IL 1.5-200/230-2	0.90	208/230-460	TEFC	15	3	1.50	3.23	3.4	11.65	0.79	29.62	3/8"-16	14.5	5.22	8.05	5.12	8.15	2.56	263
		208/230-460	ODP	15	3	1.50	3.23	3.37	11.65	0.79	27.02	3/8"-16	14.5	5.22	7.91	5.12	8.15	2.56	224
	575	TEFC	15	3	1.50	3.23	3.4	11.65	0.79	29.62	3/8"-16	14.5	5.22	8.05	5.12	8.15	2.56	262	
		ODP	15	3	1.50	3.23	3.38	11.65	0.79	26.1	3/8"-16	14.5	5.22	7.97	5.12	8.15	2.56	235	

Flange Dimensions

Dimensions - Inches		
ØB	ØC x 4	ØD
3.88	0.63 x 4	6.12

Submittal Data Sheet

In-line Centrifugal Pumps



Wilo-IL 1.5-130 - 1.5-310 (2 Pole)



Project:	
Engineer:	
Contractor:	
Submitted By:	Date:
Approved By:	Date:

Tag #	Model #	Flow	Head	HP	Cycle	Phase	Voltage	RPM
					60Hz			3500

Product Info

Brand	Wilo
Product Description	IL 1.5-130 - IL 1.5-310

Construction Materials

Pump Volute	Cast Iron EN-GJL-250
Impeller	Bronze (cast iron optional)
Shaft	316L stainless steel
Mechanical Seal	Q1Q1X4GG (silicium carbide seal faces, HNBR elastomers)

Motor Data

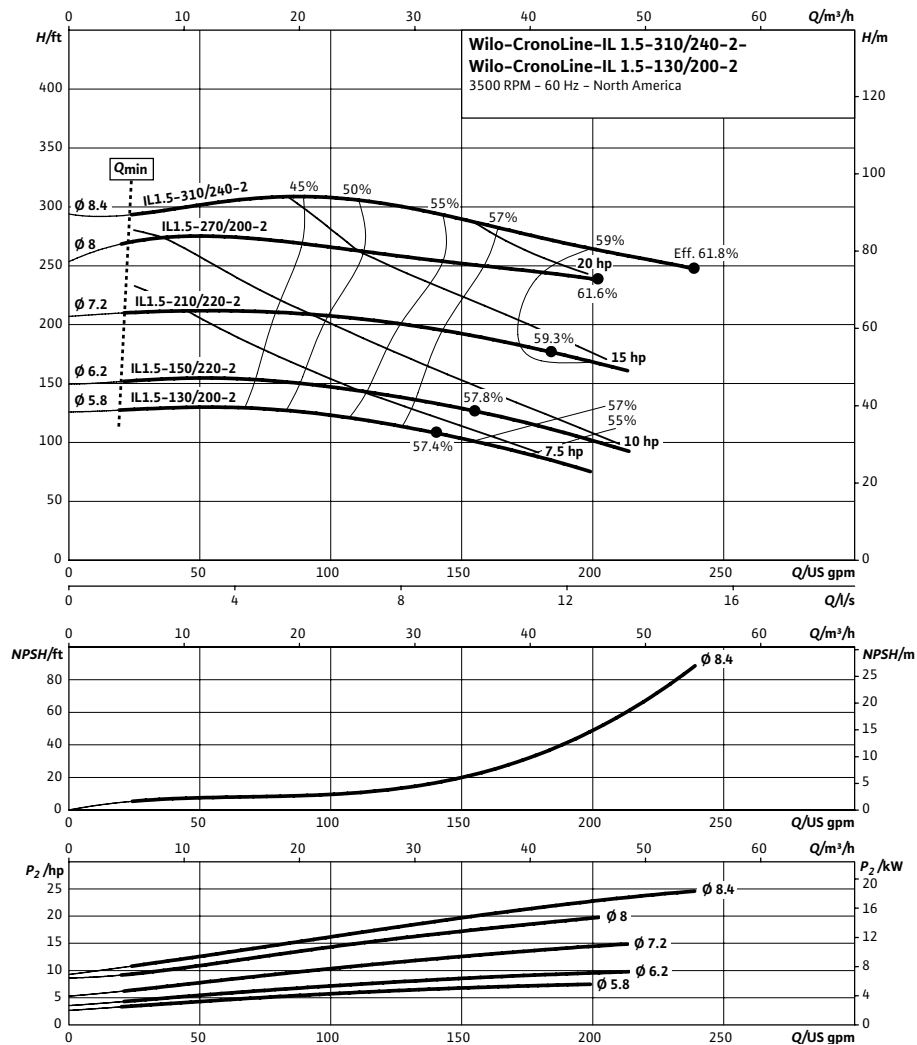
Power Supply	1~115/208-230 volt 3~208-230/460, 575 volt
Integrated full motor protection	integrated protection PTC/PTO on request (on-site trip unit required)
Protection Class	ODP (TEFC on request)
Insulation Class	F

Hydraulic Data

Flange Connection	1 1/4" Class 125 ANSI with 1/4" pressure gauge tapings
Max Operating Pressure	175 PSI (12 bar)
Min. Fluid Temp	-5°F (-20 °C)
Max Fluid Temp	285°F (140 °C)
Max. Ambient Temp	104°F (40 °C)

Application

- Hot water heating systems
- Air conditioning systems
- Closed cooling circuits
- Industrial circulation systems
- Solar Systems
- Geothermal Systems



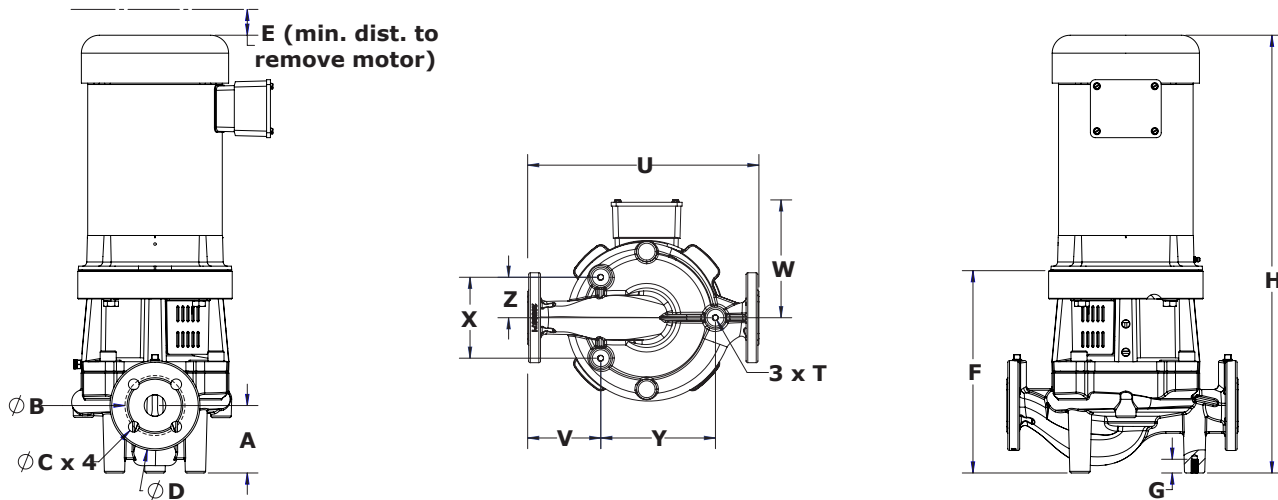
Approval Stamp

Submittal Data Sheet

In-line Centrifugal Pumps



Dimensions & Weights



Dimensions and Weights

Model	PEI	Voltage			P2 Phase			Dimensions (in)										Weight lbs	
		[V]	Motor [HP]	[-]	Dia	A	E	F	G	H	T	U	V	W	X	Y	Z		
IL 1.5-130/200-2	0.90	208/230-460	TEFC	7.5	3	1.50	4.33	3.38	12.9	0.79	28.13	3/8"-16	17	5.94	5.97	7.09	8.46	3.54	212
		208/230-460	ODP	7.5	3	1.50	4.33	2.87	12.9	0.79	25.08	3/8"-16	17	5.94	6.79	7.09	8.46	3.54	192
	575	TEFC	7.5	3	1.50	4.33	3.37	12.9	0.79	28.84	3/8"-16	17	5.94	5.97	7.09	8.46	3.54	217	
	575	ODP	7.5	3	1.50	4.33	2.87	12.9	0.79	25.22	3/8"-16	17	5.94	6.7	7.09	8.46	3.54	194	
IL 1.5-150/220-2	0.90	208/230-460	TEFC	10	3	1.50	4.33	3.34	12.9	0.79	28.25	3/8"-16	17	5.94	7.96	7.09	8.46	3.54	241
		208/230-460	ODP	10	3	1.50	4.33	3.37	12.9	0.79	26.65	3/8"-16	17	5.94	7.87	7.09	8.46	3.54	237
	575	TEFC	10	3	1.50	4.33	3.34	12.9	0.79	28.25	3/8"-16	17	5.94	8.05	7.09	8.46	3.54	234	
IL 1.5-210/220-2	0.94	208/230-460	TEFC	15	3	1.50	4.33	3.37	12.9	0.79	30.87	3/8"-16	17	5.94	8.05	7.09	8.46	3.54	286
		208/230-460	ODP	15	3	1.50	4.33	3.37	12.9	0.79	28.27	3/8"-16	17	5.94	7.91	7.09	8.46	3.54	247
	575	TEFC	15	3	1.50	4.33	3.37	12.9	0.79	30.87	3/8"-16	17	5.94	8.05	7.09	8.46	3.54	285	
	575	ODP	15	3	1.50	4.33	3.38	12.9	0.79	27.35	3/8"-16	17	5.94	7.97	7.09	8.46	3.54	258	
IL 1.5-270/200-2	0.94	208/230-460	TEFC	20	3	1.50	4.33	4	13.5	0.79	33.34	3/8"-16	17	5.94	10.04	7.09	8.46	3.54	333
		208/230-460	ODP	20	3	1.50	4.33	4	13.5	0.79	31.56	3/8"-16	17	5.94	9.49	7.09	8.46	3.54	294
	575	TEFC	20	3	1.50	4.33	4	13.5	0.79	34.6	3/8"-16	17	5.94	10	7.09	8.46	3.54	393	
IL 1.5-310/240-2	0.94	208/230-460	TEFC	25	3	1.50	4.33	3.25	12.75	0.79	31.94	3/8"-16	17	5.94	11.52	7.09	8.46	3.54	434
		208/230-460	ODP	25	3	1.50	4.33	3.25	12.75	0.79	36.1	3/8"-16	17	5.94	11.08	7.09	8.46	3.54	498
	575	TEFC	25	3	1.50	4.33	4	13.5	0.79	32.34	3/8"-16	17	5.94	10.46	7.09	8.46	3.54	347	
	575	ODP	25	3	1.50	4.33	4	13.5	0.79	32.34	3/8"-16	17	5.94	10.46	7.09	8.46	3.54	366	

Flange Dimensions

Dimensions - Inches

ϕB	$\phi C \times 4$	ϕD
3.23	3.88 x 4	0.63

Submittal Data Sheet

In-line Centrifugal Pumps



Wilo-IL 2-55 - 2-135 (2 Pole)



Project:								
Engineer:								
Contractor:								
Submitted By:						Date:		
Approved By:						Date:		

Tag #	Model #	Flow	Head	HP	Cycle	Phase	Voltage	RPM
					60Hz			3500

Product Info

Brand	Wilo
Product Description	IL 2-55 - IL 2-135

Construction Materials

Pump Volute	Cast Iron EN-GJL-250
Impeller	Bronze (cast iron optional)
Shaft	316L stainless steel
Mechanical Seal	Q1Q1X4GG (silicium carbide seal faces, HNBR elastomers)

Motor Data

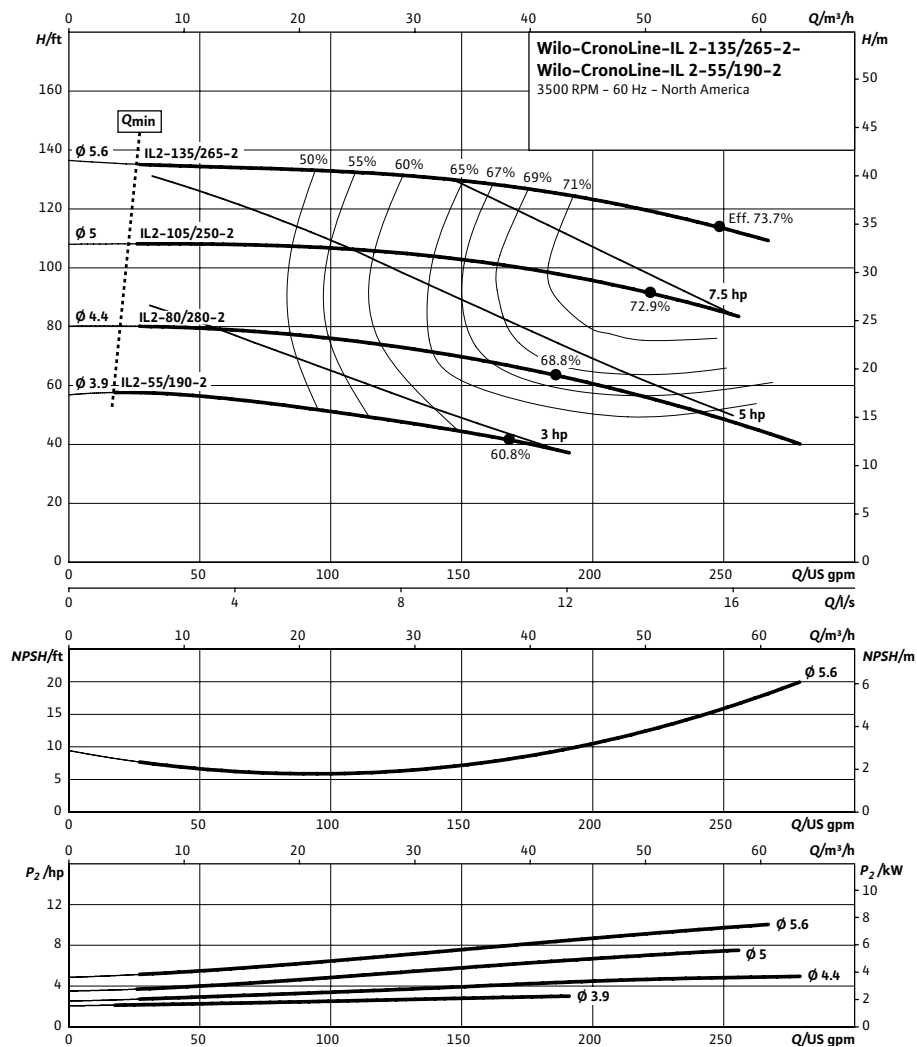
Power Supply	1~115/208-230 volt 3~208-230/460, 575 volt
Integrated full motor protection	integrated protection PTC/PTO on request (on-site trip unit required)
Protection Class	ODP (TEFC on request)
Insulation Class	F

Hydraulic Data

Flange Connection	1 1/4" Class 125 ANSI with 1/4" pressure gauge tapings
Max Operating Pressure	175 PSI (12 bar)
Min. Fluid Temp	-5°F (-20 °C)
Max Fluid Temp	285°F (140 °C)
Max. Ambient Temp	104°F (40 °C)

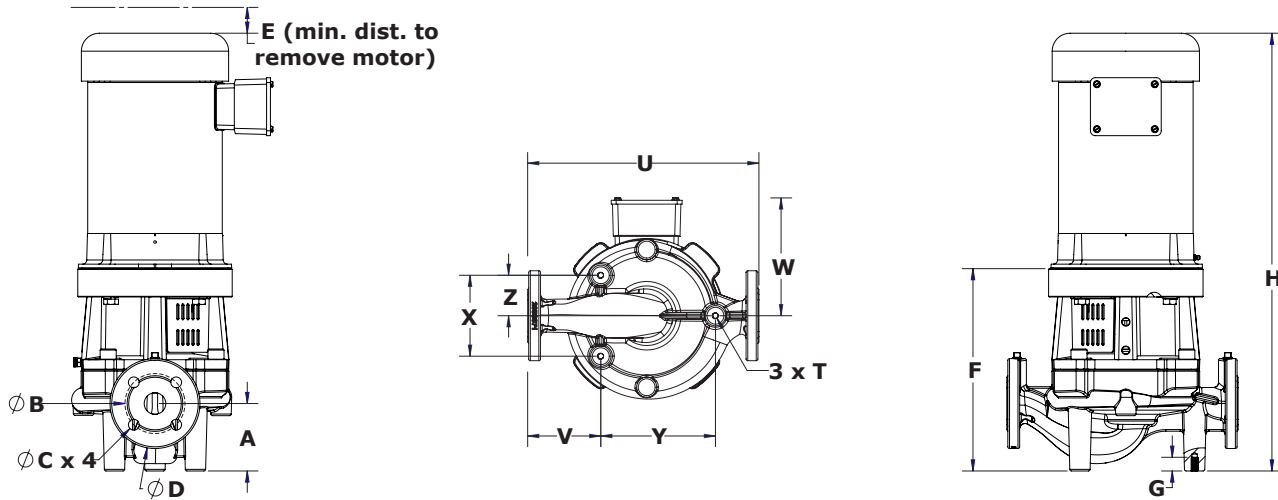
Application

- Hot water heating systems
- Air conditioning systems
- Closed cooling circuits
- Industrial circulation systems
- Solar Systems
- Geothermal Systems



Approval Stamp

Dimensions & Weights



Dimensions and Weights

Model	PEI	Voltage		P2	Phase	Dia	Dimensions (in)											Weight lbs	
		[V]	Motor				A	E	F	G	H	T	U	V	W	X	Y		Z
IL 2-55/190-2		115	TEFC	3	1	2	4.13	2.9	12.1	0.79	24.5	3/8"-16	14.5	5.74	5.6	5.51	6.02	2.8	149
		115	ODP	3	1	2	4.13	2.9	12.1	0.79	25.9	3/8"-16	14.5	5.74	6.9	5.51	6.02	2.8	161
	0.93	208/230-460	TEFC	3	3	2	4.13	2.9	12.1	0.79	24.5	3/8"-16	14.5	5.74	5.7	5.51	6.02	2.8	138
		575	TEFC	3	3	2	4.13	2.9	12.13	0.79	24.46	3/8"-16	14.5	5.74	5.66	5.51	6.02	2.76	141
IL 2-80/280-2		208/230-460	TEFC	5	3	2	4.13	2.9	12.1	0.79	25.9	3/8"-16	14.5	5.74	6.9	5.51	6.02	2.8	163
	0.93	208/230-460	ODP	5	3	2	4.13	2.87	12.13	0.79	25.84	3/8"-16	14.5	5.74	5.54	5.51	6.02	2.76	152
		575	TEFC	5	3	2	4.13	2.87	12.13	0.79	25.87	3/8"-16	14.5	5.74	6.88	5.51	6.02	2.76	162
		575	ODP	5	3	2	4.13	2.87	12.13	0.79	24.05	3/8"-16	14.5	5.74	6.7	5.51	6.02	2.76	153
IL 2-105/250-2		208/230-460	TEFC	7.5	3	2	4.13	3.4	12.1	0.79	27.4	3/8"-16	14.5	5.74	6.0	5.51	6.02	2.8	185
	0.93	208/230-460	ODP	7.5	3	2	4.13	2.9	12.13	0.79	24.3	3/8"-16	14.5	5.74	6.79	5.51	6.02	2.76	165
		575	TEFC	7.5	3	2	4.13	3.4	12.13	0.79	28.07	3/8"-16	14.5	5.74	5.97	5.51	6.02	2.76	190
		575	ODP	7.5	3	2	4.13	2.9	12.13	0.79	24.45	3/8"-16	14.5	5.74	6.7	5.51	6.02	2.76	167
IL 2-135/265-2		208/230-460	TEFC	10	3	2	4.13	3.3	12.1	0.79	27.5	3/8"-16	14.5	5.74	8.0	5.51	6.02	2.8	214
	0.93	208/230-460	ODP	10	3	2	4.13	3.4	12.13	0.79	25.87	3/8"-16	14.5	5.74	7.87	5.51	6.02	2.76	210
		575	TEFC	10	3	2	4.13	3.3	12.13	0.79	27.47	3/8"-16	14.5	5.74	8.05	5.51	6.02	2.76	207
		575	ODP	10	3	2	4.13	3.4	12.13	0.79	25.79	3/8"-16	14.5	5.74	7.97	5.51	6.02	2.76	215

Flange Dimensions

Dimensions - Inches		
ØB	ØC x 4	ØD
4.75	0.75 x 4	6.5

Submittal Data Sheet

In-line Centrifugal Pumps



Wilo-IL 2-130/320-2 (2 Pole)



Project:	
Engineer:	
Contractor:	
Submitted By:	Date:
Approved By:	Date:

Tag #	Model #	Flow	Head	HP	Cycle	Phase	Voltage	RPM
	IL 2-130/320-2				60Hz			3500

Product Info

Brand	Wilo
Product Description	IL 2-130/320-2

Construction Materials

Pump Volute	Cast Iron EN-GJL-250
Impeller	Bronze (cast iron optional)
Shaft	316L stainless steel
Mechanical Seal	Q1Q1X4GG (silicium carbide seal faces, HNBR elastomers)

Motor Data

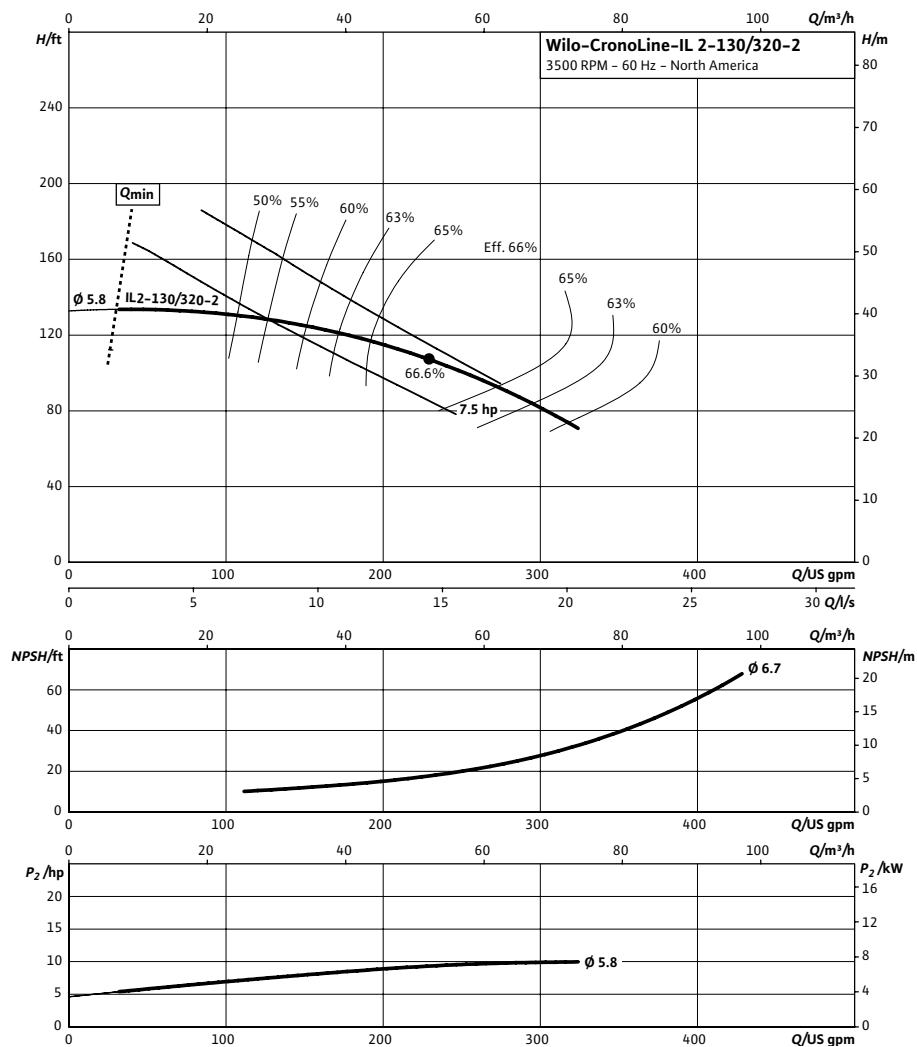
Power Supply	1~115/208-230 volt 3~208-230/460, 575 volt
Integrated full motor protection	integrated protection PTC/PTO on request (on-site trip unit required)
Protection Class	ODP (TEFC on request)
Insulation Class	F

Hydraulic Data

Flange Connection	1 1/4" Class 125 ANSI with 1/4" pressure gauge tapings
Max Operating Pressure	175 PSI (12 bar)
Min. Fluid Temp	-5°F (-20 °C)
Max Fluid Temp	285°F (140 °C)
Max. Ambient Temp	104°F (40 °C)

Application

- Hot water heating systems
- Air conditioning systems
- Closed cooling circuits
- Industrial circulation systems
- Solar Systems
- Geothermal Systems



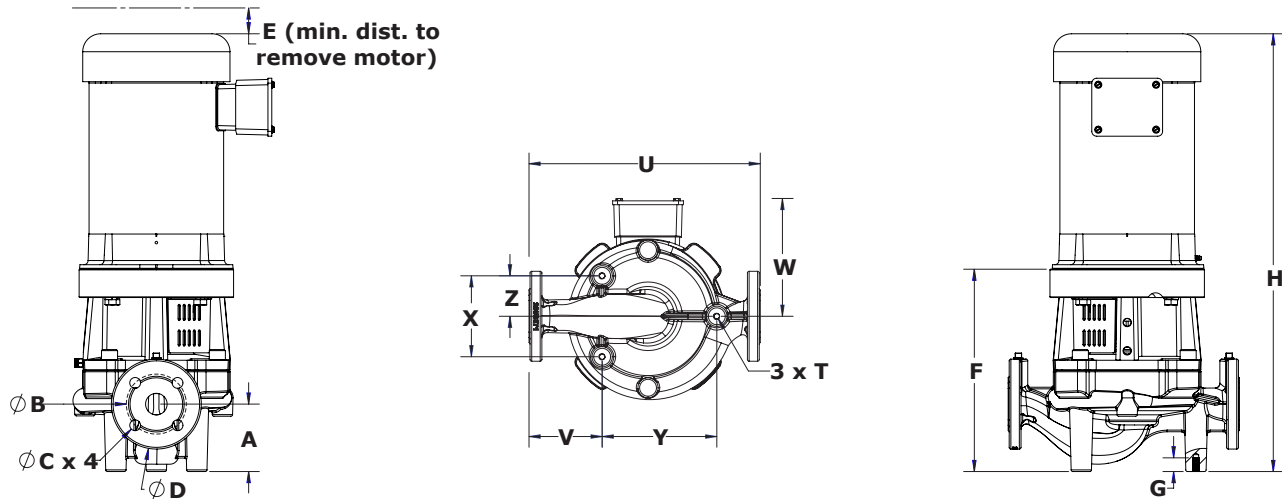
Approval Stamp

Submittal Data Sheet

In-line Centrifugal Pumps



Dimensions & Weights



Dimensions and Weights

Model	PEI	Voltage		P2	Phase	Dia	Dimensions (in)										Weight lbs		
		[V]	Motor				[HP]	[~]	A	E	F	G	H	T	U	V		W	X
IL 2-130/320-2	1.00	208/230-460	TEFC	10	3	2	3.55	3.3	12.6	0.79	28.0	3/8"-16	15	5.8	8.0	6.46	6.5	3.2	230
		208/230-460	ODP	10	3	2	3.55	3.37	12.61	0.79	26.35	3/8"-16	15	5.8	7.87	6.46	6.5	3.23	226
	575	TEFC	10	3	2	3.55	3.34	12.61	0.79	27.95	3/8"-16	15	5.8	8.05	6.46	6.5	3.23	223	
	575	ODP	10	3	2	3.55	3.38	12.61	0.79	26.27	3/8"-16	15	5.8	7.97	6.46	6.5	3.23	231	

Flange Dimensions

Dimensions - Inches		
ØB	ØC x 4	ØD
4.75	0.75 x 4	6.5

Submittal Data Sheet

In-line Centrifugal Pumps



Wilo-IL 2-200 - 2-280 (2 Pole)



Project:								
Engineer:								
Contractor:								
Submitted By:						Date:		
Approved By:						Date:		

Tag #	Model #	Flow	Head	HP	Cycle	Phase	Voltage	RPM
					60Hz			3500

Product Info

Brand	Wilo
Product Description	IL 2-200 - IL 2-280

Construction Materials

Pump Volute	Cast Iron EN-GJL-250
Impeller	Bronze (cast iron optional)
Shaft	316L stainless steel
Mechanical Seal	Q1Q1X4GG (silicium carbide seal faces, HNBR elastomers)

Motor Data

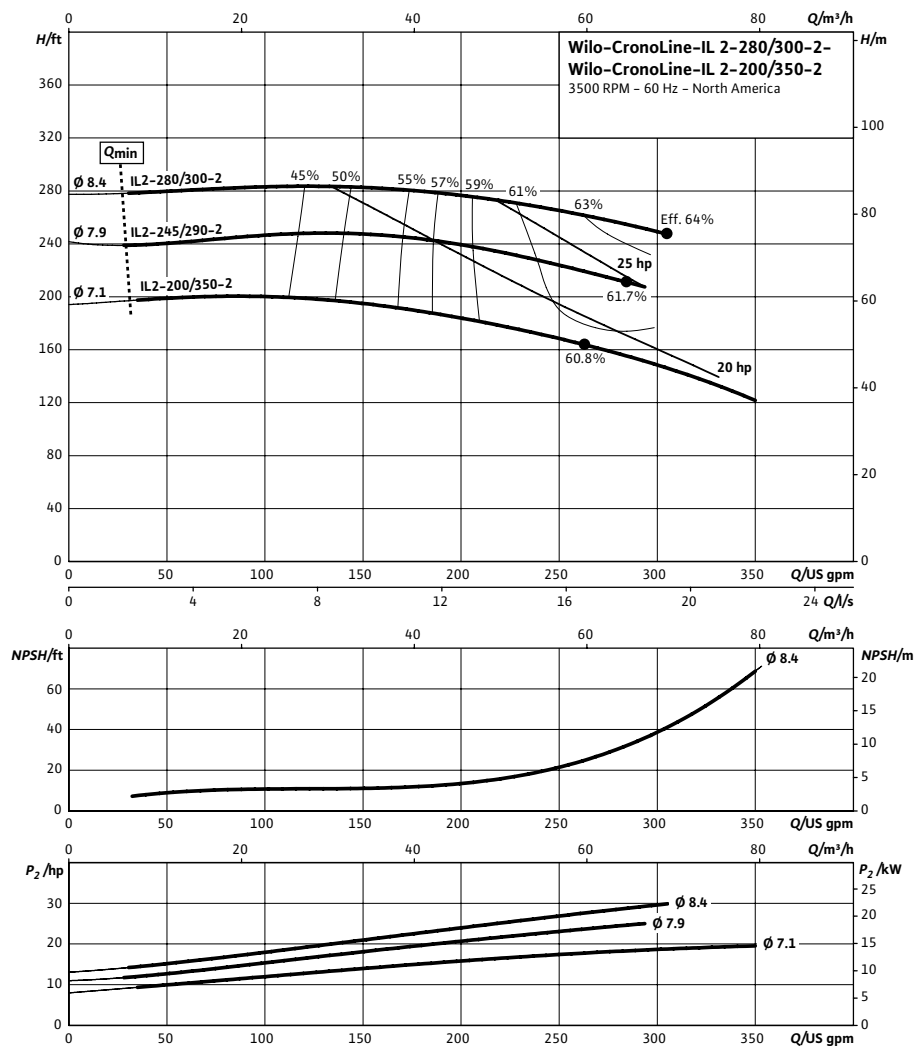
Power Supply	1~115/208-230 volt 3~208-230/460, 575 volt
Integrated full motor protection	integrated protection PTC/PTO on request (on-site trip unit required)
Protection Class	ODP (TEFC on request)
Insulation Class	F

Hydraulic Data

Flange Connection	1 1/4" Class 125 ANSI with 1/4" pressure gauge tapings
Max Operating Pressure	175 PSI (12 bar)
Min. Fluid Temp	-5°F (-20 °C)
Max Fluid Temp	285°F (140 °C)
Max. Ambient Temp	104°F (40 °C)

Application

- Hot water heating systems
- Air conditioning systems
- Closed cooling circuits
- Industrial circulation systems
- Solar Systems
- Geothermal Systems



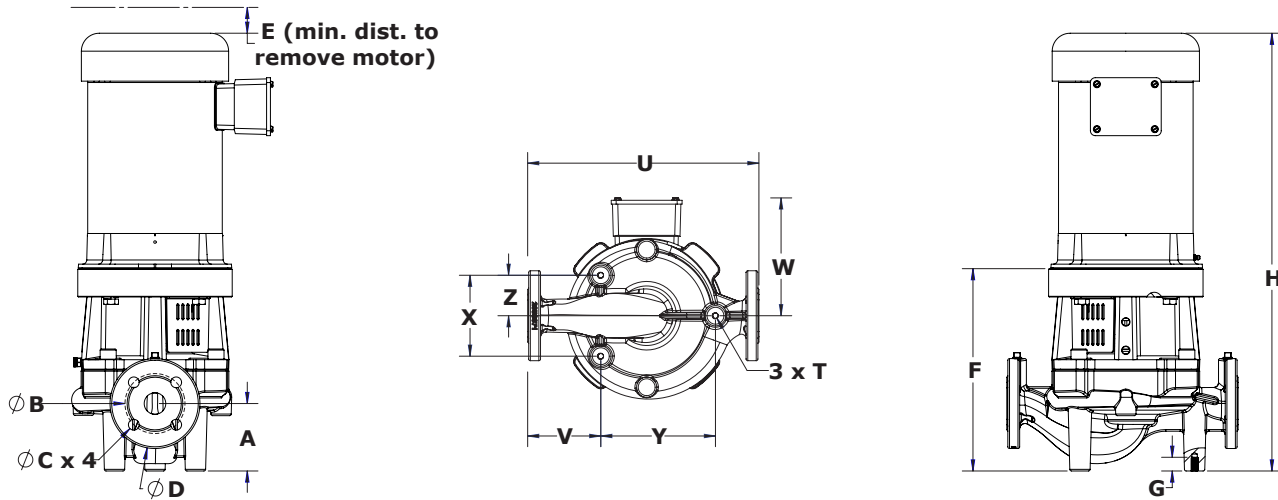
Approval Stamp

Submittal Data Sheet

In-line Centrifugal Pumps



Dimensions & Weights



Dimensions and Weights

Model	PEI	Voltage		P2	Phase	Dia	Dimensions (in)												Weight lbs
		[V]	Motor				[HP]	[~]	A	E	F	G	H	T	U	V	W	X	
IL 2-200/350-2	0.99	208/230-460	TEFC	20	3	2	4.72	4.0	13.9	0.79	33.8	3/8"-16	17.5	6.79	10.0	6.3	7.95	3.2	335
		208/230-460	ODP	20	3	2	4.72	4	13.94	0.79	32	3/8"-16	17.5	6.79	9.49	6.3	7.95	3.15	296
	575	TEFC	20	3	2	4.72	4	13.94	0.79	35.03	3/8"-16	17.5	6.79	10	6.3	7.95	3.15	395	
		ODP	20	3	2	4.72	4	13.94	0.79	31.03	3/8"-16	17.5	6.79	10.462	6.3	7.95	3.15	327	
IL 2-245/290-2	0.99	208/230-460	TEFC	25	3	2	4.72	3.3	13.2	0.79	32.4	3/8"-16	17.5	6.79	11.5	6.3	7.95	3.2	437
		208/230-460	ODP	25	3	2	4.72	3.25	13.19	0.79	36.54	3/8"-16	17.5	6.79	11.08	6.3	7.95	3.15	501
	575	TEFC	25	3	2	4.72	4	13.94	0.79	32.78	3/8"-16	17.5	6.79	10.462	6.3	7.95	3.15	350	
		ODP	25	3	2	4.72	4	13.94	0.79	32.78	3/8"-16	17.5	6.79	10.46	6.3	7.95	3.15	369	
IL 2-280/300-2	0.99	208/230-460	TEFC	30	3	2	4.72	3.3	13.2	0.79	32.4	3/8"-16	17.5	6.79	11.5	6.3	7.95	3.2	507
		208/230-460	ODP	30	3	2	4.72	3.25	13.19	0.79	34.86	3/8"-16	17.5	6.79	12.21	6.3	7.95	3.15	439
	575	TEFC	30	3	2	4.72	3.25	13.19	0.79	36.54	3/8"-16	17.5	6.79	11.08	6.3	7.95	3.15	520	
		ODP	30	3	2	4.72	3.25	13.19	0.79	31.77	3/8"-16	17.5	6.79	11.93	6.3	7.95	3.15	422	

Flange Dimensions

Dimensions - Inches		
ØB	ØC x 4	ØD
4.75	0.75 x 4	6.5

Submittal Data Sheet

In-line Centrifugal Pumps



Wilo-IL 2-340 - 2-440 (2 Pole)



Project:							
Engineer:							
Contractor:							
Submitted By:					Date:		
Approved By:					Date:		

Tag #	Model #	Flow	Head	HP	Cycle	Phase	Voltage	RPM
					60Hz			3500

Product Info

Brand	Wilo
Product Description	IL 2-340 - IL 2-440

Construction Materials

Pump Volute	Cast Iron EN-GJL-250
Impeller	Bronze (cast iron optional)
Shaft	316L stainless steel
Mechanical Seal	Q1Q1X4GG (silicium carbide seal faces, HNBR elastomers)

Motor Data

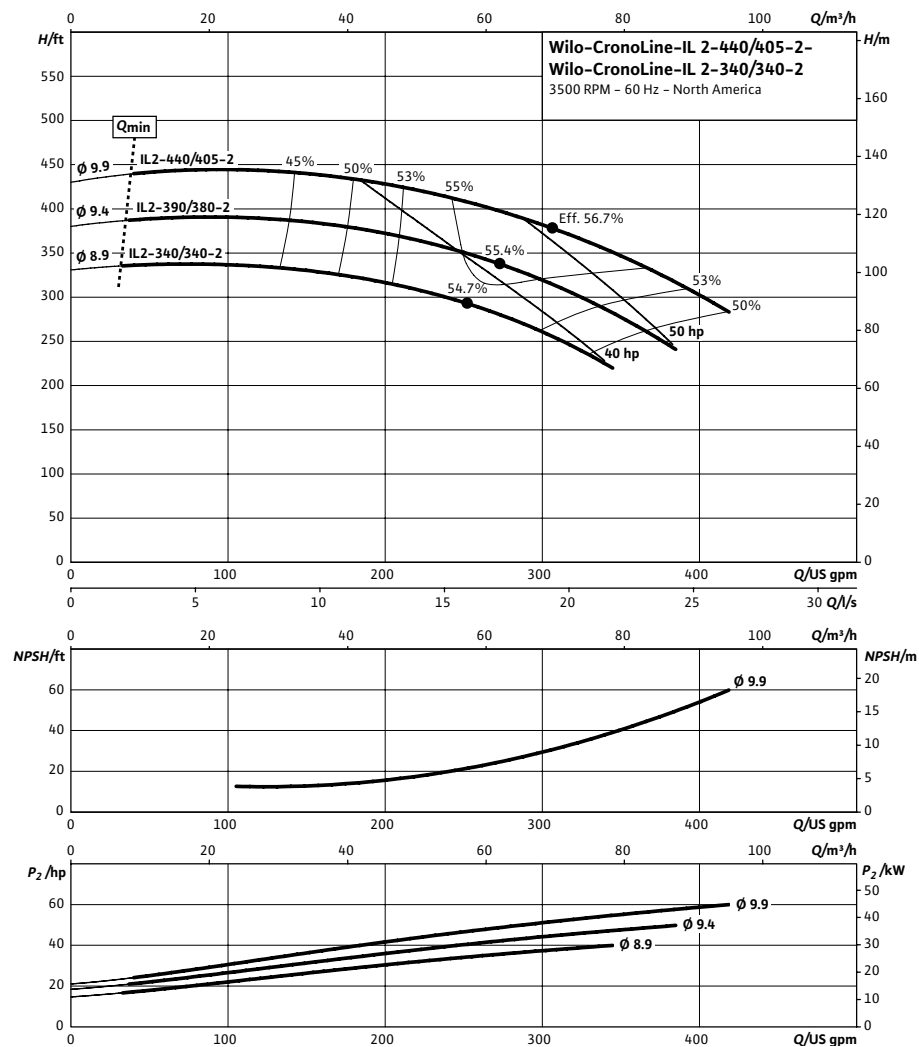
Power Supply	1~115/208-230 volt 3~208-230/460, 575 volt
Integrated full motor protection	integrated protection PTC/PTO on request (on-site trip unit required)
Protection Class	ODP (TEFC on request)
Insulation Class	F

Hydraulic Data

Flange Connection	1 1/4" Class 125 ANSI with 1/4" pressure gauge tapings
Max Operating Pressure	175 PSI (12 bar)
Min. Fluid Temp	-5°F (-20 °C)
Max Fluid Temp	285°F (140 °C)
Max. Ambient Temp	104°F (40 °C)

Application

- Hot water heating systems
- Air conditioning systems
- Closed cooling circuits
- Industrial circulation systems
- Solar Systems
- Geothermal Systems



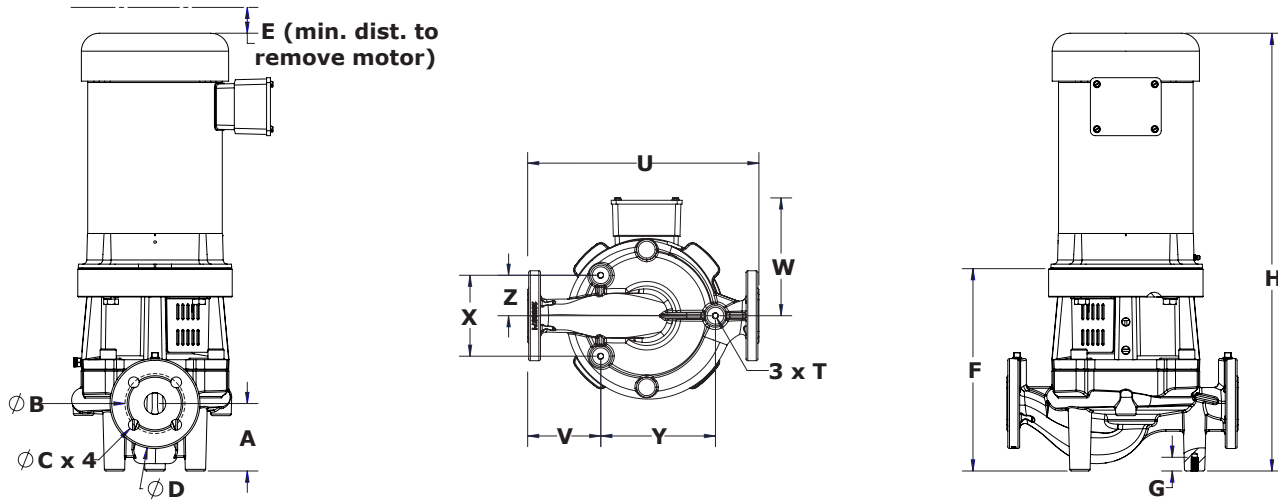
Approval Stamp

Submittal Data Sheet

In-line Centrifugal Pumps



Dimensions & Weights



Dimensions and Weights

Model	PEI	Voltag	Motor	P2	Phase	Dia	Dimensions (in)											Weight	
		[V]		[HP]	[~]		A	E	F	G	H	T	U	V	W	X	Y	Z	lbs
IL 2-340/340-2	0.99	208/230-460	TEFC	40	3	2	4.75	3.8	14.5	0.79	39.6	1/2"-13	19	7.28	13.7	7	8	3.5	617
		575	TEFC	40	3	2	4.75	3.75	14.51	0.79	40.42	1/2"-13	19	7.28	12.58	7	8	3.5	712
IL 2-390/380-2	0.99	208/230-460	TEFC	50	3	2	4.75	3.8	14.5	0.79	39.6	1/2"-13	19	7.28	14.6	7	8	3.5	617
		208/230-460	ODP	50	3	2	4.75	3.75	14.51	0.79	35.47	1/2"-13	19	7.28	11.5	7	8	3.5	639
		575	TEFC	50	3	2	4.75	3.75	14.51	0.79	40.42	1/2"-13	19	7.28	12.58	7	8	3.5	738
IL 2-440/405-2	0.99	208/230-460	TEFC	60	3	2	4.75	3.8	14.5	0.79	42.4	1/2"-13	19	7.28	18.1	7	8	3.5	977
		208/230-460	ODP	60	3	2	4.75	3.75	14.51	0.79	43.16	1/2"-13	19	7.28	16.02	7	8	3.5	1024
		575	TEFC	60	3	2	4.75	3.75	14.51	0.79	36.62	1/2"-13	19	7.28	13.39	7	8	3.5	634
		575	ODP	60	3	2	4.75	3.75	14.51	0.79	36.62	1/2"-13	19	7.28	13.39	7	8	3.5	647

Flange Dimensions

Dimensions - Inches

ϕB	$\phi C \times 4$	ϕD
4.75	0.75 x 4	6.5

Submittal Data Sheet

In-line Centrifugal Pumps

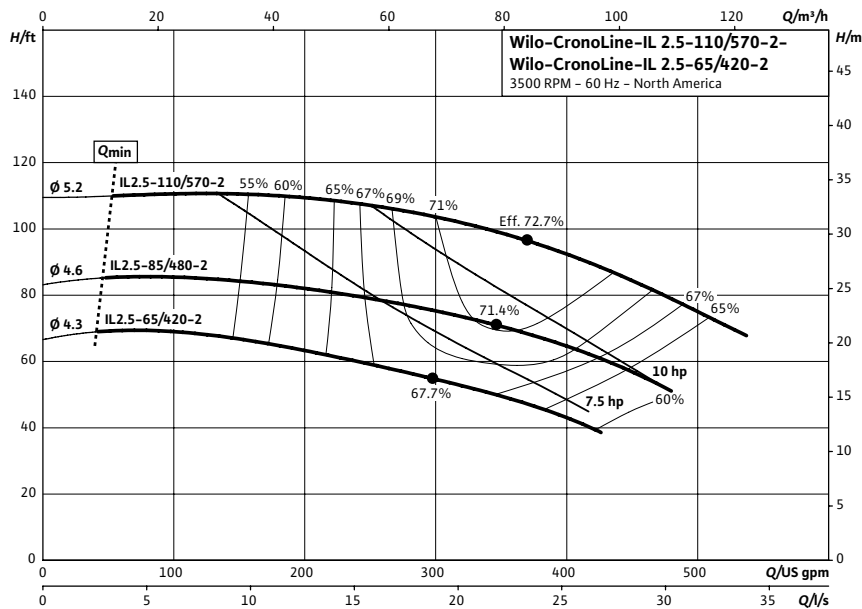


Wilo-IL 2.5-65 - 2.5-110 (2 Pole)



Project:	
Engineer:	
Contractor:	
Submitted By:	Date:
Approved By:	Date:

Tag #	Model #	Flow	Head	HP	Cycle	Phase	Voltage	RPM
					60Hz			3500



Product Info

Brand	Wilo
Product Description	IL 2.5-65 - IL 2.5-110

Construction Materials

Pump Volute	Cast Iron EN-GJL-250
Impeller	Bronze (cast iron optional)
Shaft	316L stainless steel
Mechanical Seal	Q1Q1X4GG (silicium carbide seal faces, HNBR elastomers)

Motor Data

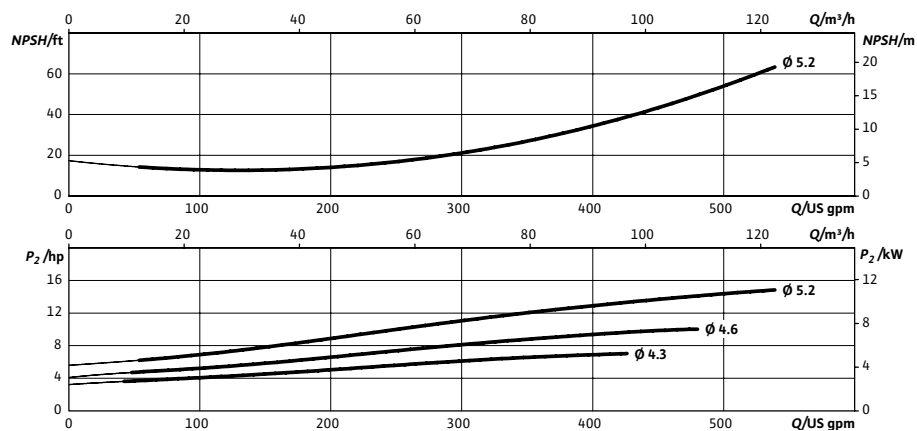
Power Supply	1~115/208-230 volt 3~208-230/460, 575 volt
Integrated full motor protection	integrated protection PTC/PTO on request (on-site trip unit required)
Protection Class	ODP (TEFC on request)
Insulation Class	F

Hydraulic Data

Flange Connection	1 1/4" Class 125 ANSI with 1/4" pressure gauge tapings
Max Operating Pressure	175 PSI (12 bar)
Min. Fluid Temp	-5°F (-20 °C)
Max Fluid Temp	285°F (140 °C)
Max. Ambient Temp	104°F (40 °C)

Application

- Hot water heating systems
- Air conditioning systems
- Closed cooling circuits
- Industrial circulation systems
- Solar Systems
- Geothermal Systems



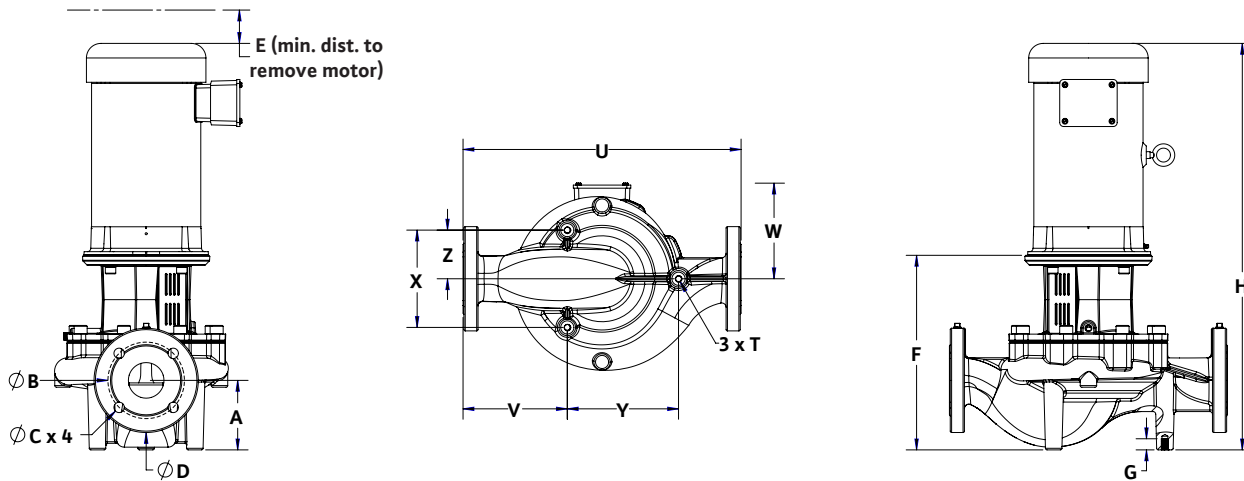
Approval Stamp

Submittal Data Sheet

In-line Centrifugal Pumps



Dimensions & Weights



Dimensions and Weights

Model	PEI	Voltage	Motor	P2	Phase	Dimensions (in)													Weight
		[V]		[HP]	[~]	Dia	A	E	F	G	H	T	U	V	W	X	Y	Z	lbs
IL 2.5-65/420-2	0.98	208/230-460	TEFC	7.5	3	2.50	4.72	3.4	14.27	0.79	29.5	1/2"-13	15	5.64	5.97	5.51	6.3	2.76	210
		575	TEFC	7.5	3	2.50	4.72	3.37	14.27	0.79	30.21	1/2"-13	15	5.64	5.97	5.51	6.3	2.76	215
IL 2.5-85/480-2	0.98	208/230-460	TEFC	10	3	2.50	4.72	3.34	14.27	0.79	29.62	1/2"-13	15	5.64	7.96	5.51	6.3	2.76	239
		208/230-460	ODP	10	3	2.50	4.72	3.37	14.27	0.79	28.02	1/2"-13	15	5.64	7.87	5.51	6.3	2.76	235
	0.98	575	TEFC	10	3	2.50	4.72	3.34	14.27	0.79	29.62	1/2"-13	15	5.64	8.05	5.51	6.3	2.76	232
		575	ODP	10	3	2.50	4.72	3.38	14.27	0.79	27.93	1/2"-13	15	5.64	7.97	5.51	6.3	2.76	240
IL 2.5-110/570-2	0.98	208/230-460	TEFC	15	3	2.50	4.72	3.37	14.27	0.79	32.24	1/2"-13	15	5.64	8.05	5.51	6.3	2.76	284
		208/230-460	ODP	15	3	2.50	4.72	3.37	14.27	0.79	29.64	1/2"-13	15	5.64	7.91	5.51	6.3	2.76	245
	0.98	575	TEFC	15	3	2.50	4.72	3.37	14.27	0.79	32.24	1/2"-13	15	5.64	8.05	5.51	6.3	2.76	283
		575	ODP	15	3	2.50	4.72	3.38	14.27	0.79	28.72	1/2"-13	15	5.64	7.97	5.51	6.3	2.76	256

Flange Dimensions

Dimensions - Inches		
ØB	ØC x 4	ØD
5.5	0.75 x 4	7.5

Submittal Data Sheet

In-line Centrifugal Pumps



Wilo-IL 2.5-90 - 2.5-190 (2 Pole)



Project:								
Engineer:								
Contractor:								
Submitted By:						Date:		
Approved By:						Date:		

Tag #	Model #	Flow	Head	HP	Cycle	Phase	Voltage	RPM
					60Hz			3500

Product Info

Brand	Wilo
Product Description	IL 2.5-90 - IL 2.5-190

Construction Materials

Pump Volute	Cast Iron EN-GJL-250
Impeller	Bronze (cast iron optional)
Shaft	316L stainless steel
Mechanical Seal	Q1Q1X4GG (silicium carbide seal faces, HNBR elastomers)

Motor Data

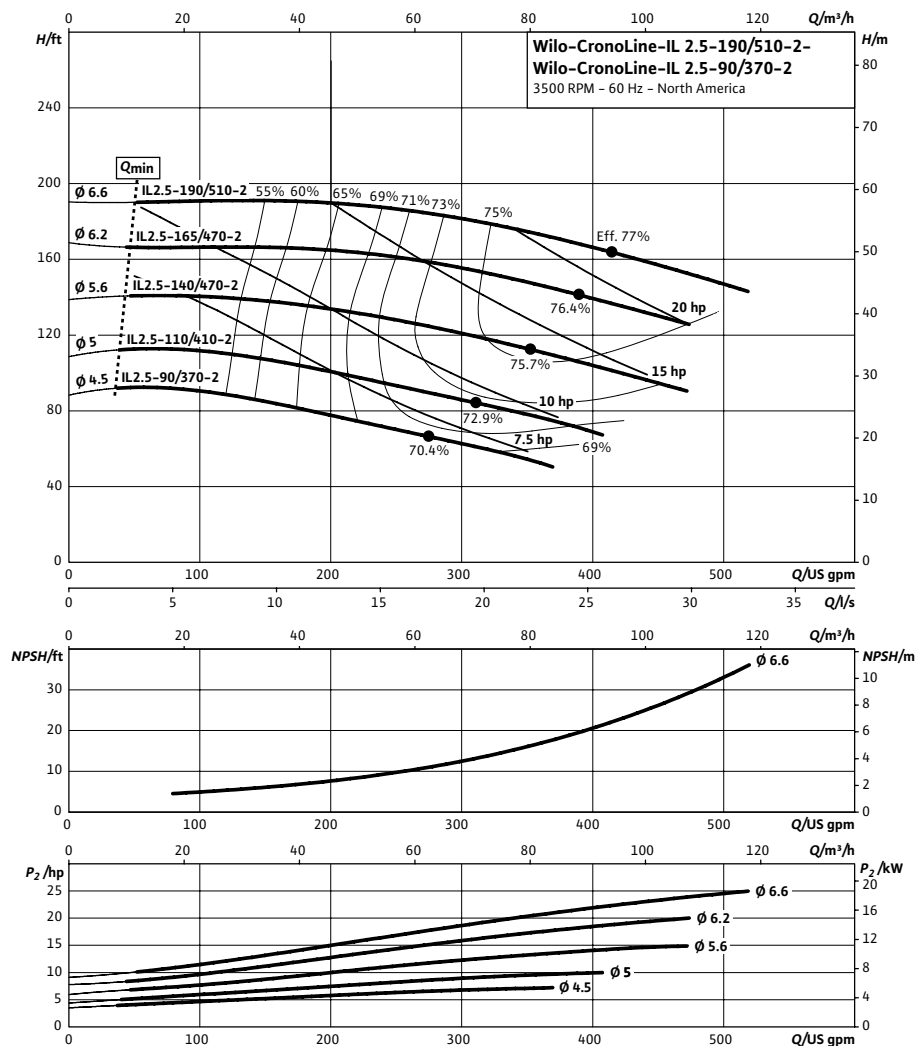
Power Supply	1~115/208-230 volt 3~208-230/460, 575 volt
Integrated full motor protection	integrated protection PTC/PTO on request (on-site trip unit required)
Protection Class	ODP (TEFC on request)
Insulation Class	F

Hydraulic Data

Flange Connection	1 1/4" Class 125 ANSI with 1/4" pressure gauge tapings
Max Operating Pressure	175 PSI (12 bar)
Min. Fluid Temp	-5°F (-20 °C)
Max Fluid Temp	285°F (140 °C)
Max. Ambient Temp	104°F (40 °C)

Application

- Hot water heating systems
- Air conditioning systems
- Closed cooling circuits
- Industrial circulation systems
- Solar Systems
- Geothermal Systems



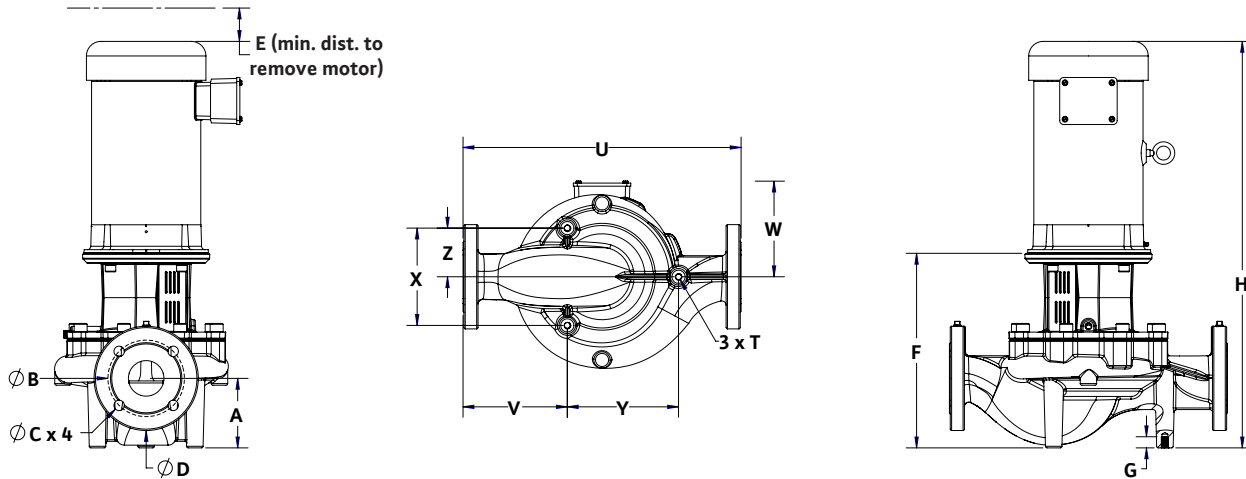
Approval Stamp

Submittal Data Sheet

In-line Centrifugal Pumps



Dimensions & Weights



Dimensions and Weights

Model	PEI	Voltage		P2	Phase	Dimensions (in)													Weight lbs
		[V]	Motor			[HP]	[~]	Dia	A	E	F	G	H	T	U	V	W	X	
IL 2.5-90/370-2	0.92	208/230-460	TEFC	7.5	3	2.50	4.33	3.38	14.16	0.79	29.38	1/2"-13	17.5	6.64	5.97	7.09	7.87	3.55	202
		208/230-460	ODP	7.5	3	2.50	4.33	2.87	13.61	0.79	25.79	1/2"-13	17.5	6.64	6.79	7.09	7.87	3.55	199
	575	TEFC	7.5	3	2.50	4.33	3.37	14.16	0.79	30.1	1/2"-13	17.5	6.64	5.97	7.09	7.87	3.55	207	
	575	ODP	7.5	3	2.50	4.33	2.87	13.61	0.79	25.93	1/2"-13	17.5	6.64	6.7	7.09	7.87	3.55	201	
IL 2.5-110/410-2	0.92	208/230-460	TEFC	10	3	2.50	4.33	3.34	14.16	0.79	29.5	1/2"-13	17.5	6.64	7.96	7.09	7.87	3.55	231
		208/230-460	ODP	10	3	2.50	4.33	3.37	14.16	0.79	27.9	1/2"-13	17.5	6.64	7.87	7.09	7.87	3.55	227
		575	TEFC	10	3	2.50	4.33	3.34	14.16	0.79	29.5	1/2"-13	17.5	6.64	8.05	7.09	7.87	3.55	224
IL 2.5-140/470-2	0.92	208/230-460	TEFC	15	3	2.50	4.33	3.37	14.16	0.79	32.12	1/2"-13	17.5	6.64	8.05	7.09	7.87	3.55	276
		208/230-460	ODP	15	3	2.50	4.33	3.37	14.16	0.79	29.52	1/2"-13	17.5	6.64	7.91	7.09	7.87	3.55	237
		575	TEFC	15	3	2.50	4.33	3.37	14.16	0.79	32.12	1/2"-13	17.5	6.64	8.05	7.09	7.87	3.55	275
		575	ODP	15	3	2.50	4.33	3.38	14.16	0.79	28.6	1/2"-13	17.5	6.64	7.97	7.09	7.87	3.55	248
IL 2.5-165/470-2	0.92	208/230-460	TEFC	20	3	2.50	4.33	4	14.16	0.79	34	1/2"-13	17.5	6.64	10.04	7.09	7.87	3.55	337
		208/230-460	ODP	20	3	2.50	4.33	4	14.16	0.79	32.22	1/2"-13	17.5	6.64	9.49	7.09	7.87	3.55	298
		575	TEFC	20	3	2.50	4.33	4	14.16	0.79	35.25	1/2"-13	17.5	6.64	10	7.09	7.87	3.55	397
IL 2.5-190/510-2	0.92	208/230-460	ODP	25	3	2.50	4.33	4	14.16	0.79	31.25	1/2"-13	17.5	6.64	10.46	7.09	7.87	3.55	329
		575	ODP	25	3	2.50	4.33	4	14.16	0.79	32.99	1/2"-13	17.5	6.64	10.462	7.09	7.87	3.55	351
		575	ODP	25	3	2.50	4.33	4	14.16	0.79	32.99	1/2"-13	17.5	6.64	10.46	7.09	7.87	3.55	370

Flange Dimensions

Dimensions - Inches		
ØB	ØC x 4	ØD
5.5	0.75 x 4	7.5

Submittal Data Sheet

In-line Centrifugal Pumps



Wilo-IL 2.5-275 - 2.5-320 (2 Pole)



Project:	
Engineer:	
Contractor:	
Submitted By:	Date:
Approved By:	Date:

Tag #	Model #	Flow	Head	HP	Cycle	Phase	Voltage	RPM
					60Hz			3500

Product Info

Brand	Wilo
Product Description	IL 2.5-275 - IL 2.5-320

Construction Materials

Pump Volute	Cast Iron EN-GJL-250
Impeller	Bronze (cast iron optional)
Shaft	316L stainless steel
Mechanical Seal	Q1Q1X4GG (silicium carbide seal faces, HNBR elastomers)

Motor Data

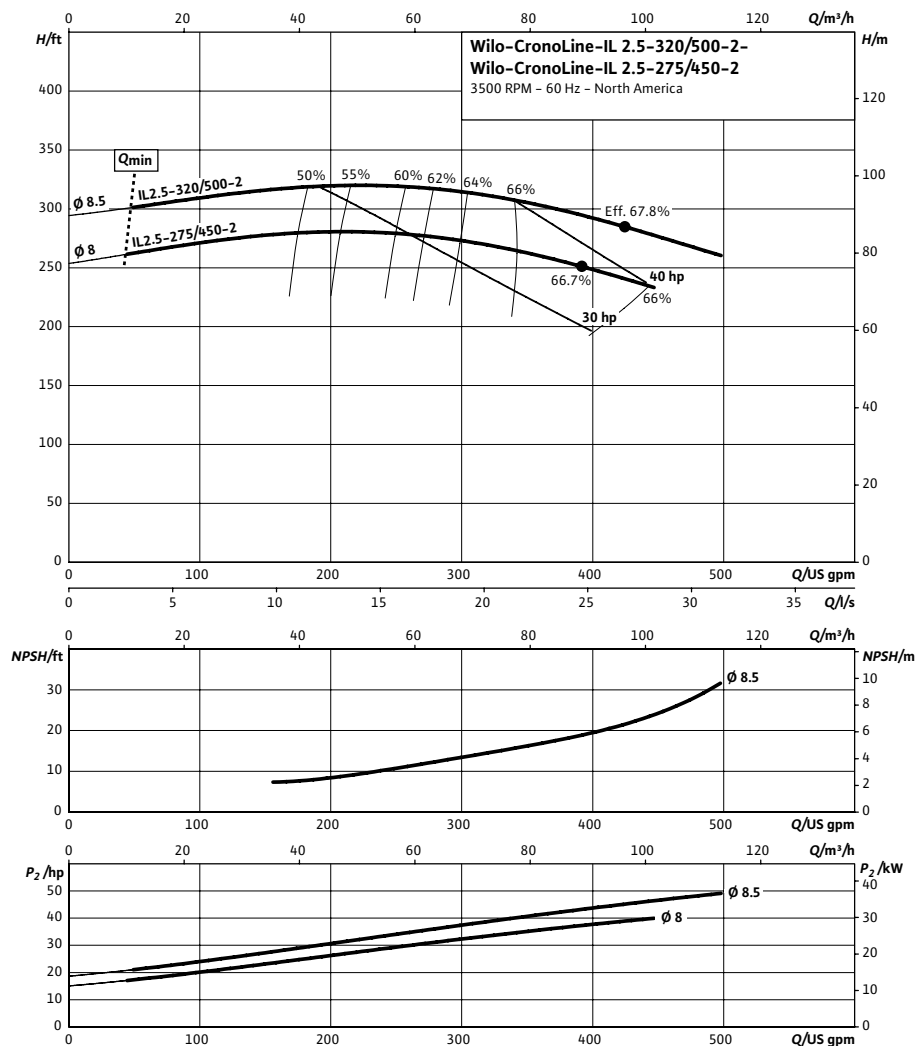
Power Supply	1-115/208-230 volt 3-208-230/460, 575 volt
Integrated full motor protection	integrated protection PTC/PTO on request (on-site trip unit required)
Protection Class	ODP (TEFC on request)
Insulation Class	F

Hydraulic Data

Flange Connection	1 1/4" Class 125 ANSI with 1/4" pressure gauge tapings
Max Operating Pressure	175 PSI (12 bar)
Min. Fluid Temp	-5°F (-20 °C)
Max Fluid Temp	285°F (140 °C)
Max. Ambient Temp	104°F (40 °C)

Application

- Hot water heating systems
- Air conditioning systems
- Closed cooling circuits
- Industrial circulation systems
- Solar Systems
- Geothermal Systems



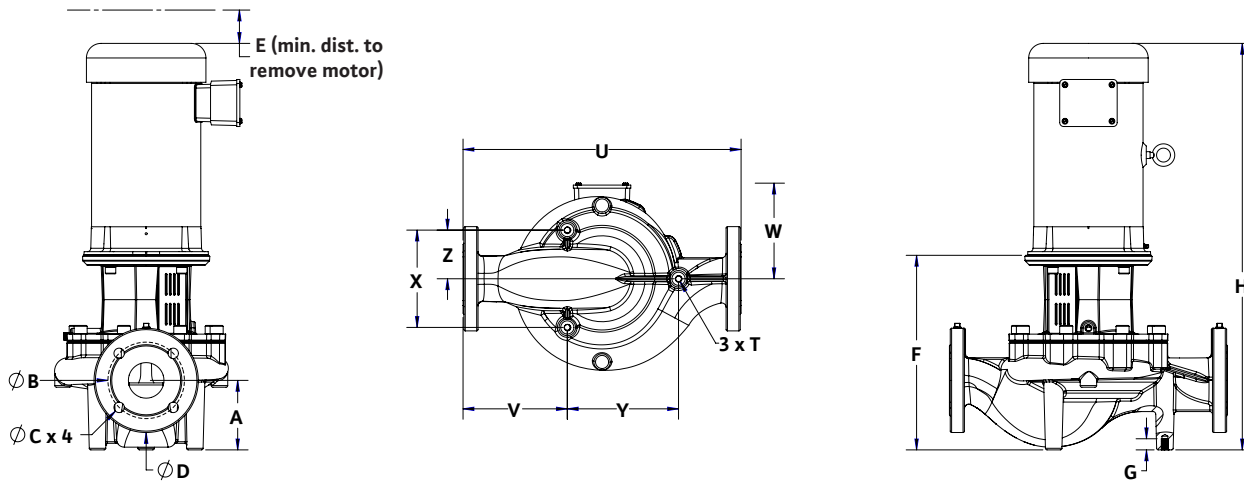
Approval Stamp

Submittal Data Sheet

In-line Centrifugal Pumps



Dimensions & Weights



Dimensions and Weights

Model	PEI	Voltage	Motor	P2	Phase	Dimensions (in)													Weight
		[V]		[HP]	[~]	Dia	A	E	F	G	H	T	U	V	W	X	Y	Z	lbs
IL 2.5-275/450-2	0.99	208/230-460	TEFC	40	3	2.50	5	3.75	14.82	0.79	39.9	1/2"-13	20	7.5	13.74	7	8	3.5	619
		208/230-460	ODP	40	3	2.50	5	3.75	14.82	0.79	40.72	1/2"-13	20	7.5	12.58	7	8	3.5	714
	0.98	575	TEFC	40	3	2.50	5	3.25	14.29	0.79	34.38	1/2"-13	20	7.5	11.93	7	8	3.5	506
		575	ODP	40	3	2.50	5	3.25	14.29	0.79	34.38	1/2"-13	20	7.5	11.93	7	8	3.5	549
IL 2.5-320/500-2	0.98	208/230-460	TEFC	30	3	2.50	5	3.25	14.29	0.79	33.47	1/2"-13	20	7.5	11.52	7	8	3.5	546
		208/230-460	ODP	30	3	2.50	5	3.25	14.29	0.79	35.96	1/2"-13	20	7.5	12.21	7	8	3.5	478
	575	TEFC	30	3	2.50	5	3.25	14.29	0.79	37.64	1/2"-13	20	7.5	11.08	7	8	3.5	559	
		575	ODP	30	3	2.50	5	3.25	14.29	0.79	32.88	1/2"-13	20	7.5	11.93	7	8	3.5	461

Flange Dimensions

Dimensions - Inches		
ØB	ØC x 4	ØD
5.5	0.75 x 4	7.5

Submittal Data Sheet

In-line Centrifugal Pumps



Wilo-IL 3-60 - 3-120 (2 Pole)



Project:								
Engineer:								
Contractor:								
Submitted By:						Date:		
Approved By:						Date:		

Tag #	Model #	Flow	Head	HP	Cycle	Phase	Voltage	RPM
					60Hz			3500

Product Info

Brand	Wilo
Product Description	IL 3-60 - IL 3-120

Construction Materials

Pump Volute	Cast Iron EN-GJL-250
Impeller	Bronze (cast iron optional)
Shaft	316L stainless steel
Mechanical Seal	Q1Q1X4GG (silicium carbide seal faces, HNBR elastomers)

Motor Data

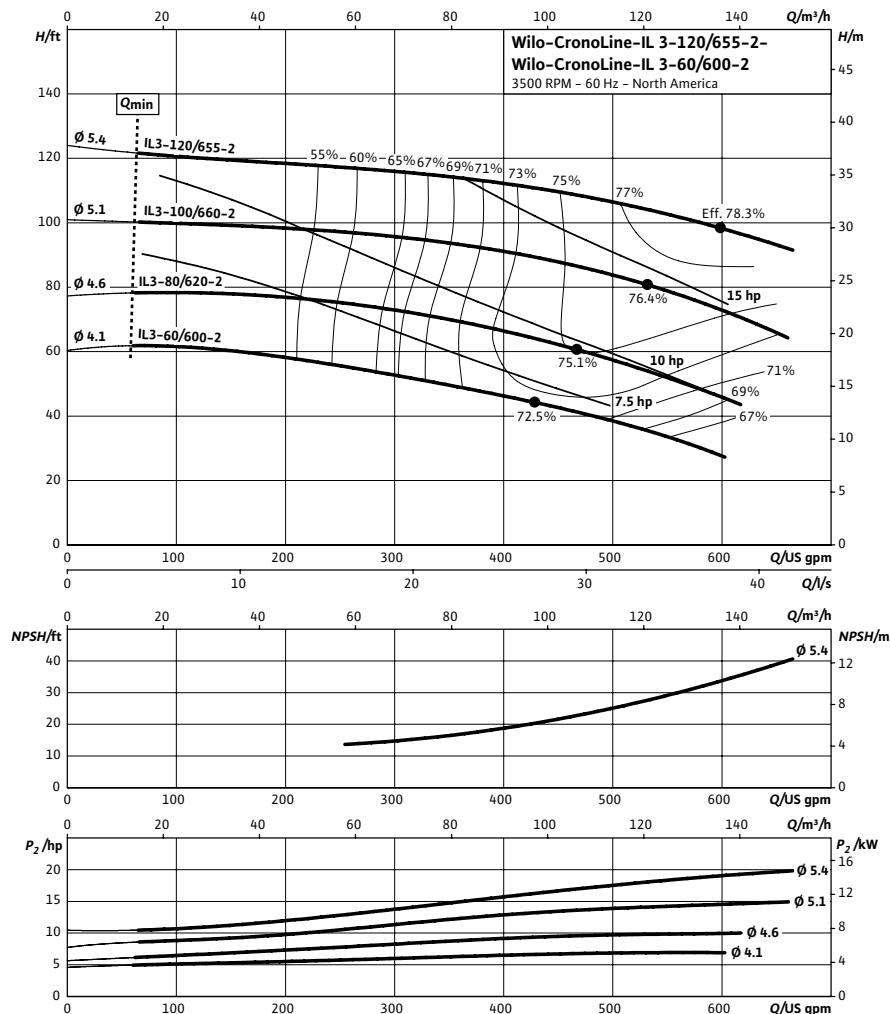
Power Supply	1~115/208-230 volt 3~208-230/460, 575 volt
Integrated full motor protection	integrated protection PTC/PTO on request (on-site trip unit required)
Protection Class	ODP (TEFC on request)
Insulation Class	F

Hydraulic Data

Flange Connection	1 1/4" Class 125 ANSI with 1/4" pressure gauge tappings
Max Operating Pressure	175 PSI (12 bar)
Min. Fluid Temp	-5°F (-20 °C)
Max Fluid Temp	285°F (140 °C)
Max. Ambient Temp	104°F (40 °C)

Application

- Hot water heating systems
- Air conditioning systems
- Closed cooling circuits
- Industrial circulation systems
- Solar Systems
- Geothermal Systems



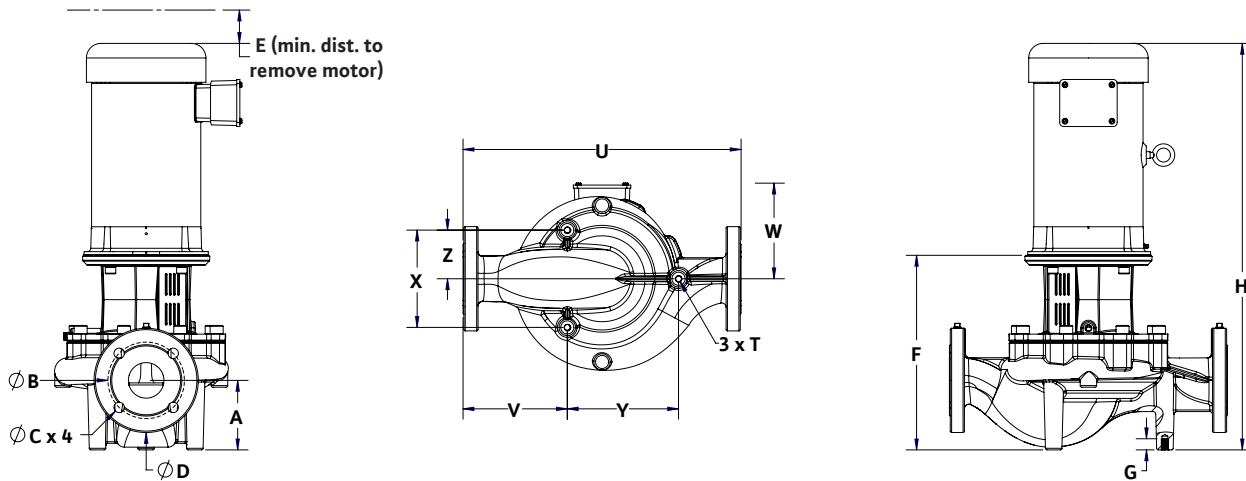
Approval Stamp

Submittal Data Sheet

In-line Centrifugal Pumps



Dimensions & Weights



Dimensions and Weights

Model	PEI	Voltage	Motor	P2	Phase	Dimensions (in)													Weight
		[V]		[HP]	[~]	Dia	A	E	F	G	H	T	U	V	W	X	Y	Z	lbs
IL 3-60/600-2	0.95	208/230-460	TEFC	7.5	3	3.00	4.27	3.38	14.5	0.79	29.71	1/2"-13	17.5	6.59	5.97	7.09	7.76	3.54	231
		575	TEFC	7.5	3	3.00	4.27	3.37	14.5	0.79	30.43	1/2"-13	17.5	6.59	5.97	7.09	7.76	3.54	236
IL 3-80/620-2	0.95	208/230-460	TEFC	10	3	3.00	4.27	3.34	14.5	0.79	29.83	1/2"-13	17.5	6.59	7.96	7.09	7.76	3.54	260
		208/230-460	ODP	10	3	3.00	4.27	3.37	14.5	0.79	28.23	1/2"-13	17.5	6.59	7.87	7.09	7.76	3.54	256
	575	TEFC	10	3	3.00	4.27	3.34	14.5	0.79	29.83	1/2"-13	17.5	6.59	8.05	7.09	7.76	3.54	253	
		ODP	10	3	3.00	4.27	3.38	14.5	0.79	28.15	1/2"-13	17.5	6.59	7.97	7.09	7.76	3.54	261	
IL 3-100/660-2	0.95	208/230-460	TEFC	15	3	3.00	4.27	3.37	14.5	0.79	32.46	1/2"-13	17.5	6.59	8.05	7.09	7.76	3.54	305
		208/230-460	ODP	15	3	3.00	4.27	3.37	14.5	0.79	29.85	1/2"-13	17.5	6.59	7.91	7.09	7.76	3.54	266
	575	TEFC	15	3	3.00	4.27	3.37	14.5	0.79	32.46	1/2"-13	17.5	6.59	8.05	7.09	7.76	3.54	304	
		ODP	15	3	3.00	4.27	3.38	14.5	0.79	28.94	1/2"-13	17.5	6.59	7.97	7.09	7.76	3.54	277	
IL 3-120/655-2	0.95	208/230-460	TEFC	20	3	3.00	4.27	4	14.5	0.79	34.33	1/2"-13	17.5	6.59	10.04	7.09	7.76	3.54	366
		208/230-460	ODP	20	3	3.00	4.27	4	14.5	0.79	32.55	1/2"-13	17.5	6.59	9.49	7.09	7.76	3.54	327
	575	TEFC	20	3	3.00	4.27	4	14.5	0.79	35.58	1/2"-13	17.5	6.59	10	7.09	7.76	3.54	426	
		ODP	20	3	3.00	4.27	4	14.5	0.79	31.58	1/2"-13	17.5	6.59	10.46	7.09	7.76	3.54	358	

Flange Dimensions

Dimensions - Inches		
ϕB	$\phi C \times 4$	ϕD
6	0.75 x 4	8.25

Submittal Data Sheet

In-line Centrifugal Pumps



Wilo-IL 3-150 - 3-170 (2 Pole)



Project:	
Engineer:	
Contractor:	
Submitted By:	Date:
Approved By:	Date:

Tag #	Model #	Flow	Head	HP	Cycle	Phase	Voltage	RPM
					60Hz			3500

Product Info

Brand	Wilo
Product Description	IL 3-150 - IL 3-170

Construction Materials

Pump Volute	Cast Iron EN-GJL-250
Impeller	Bronze (cast iron optional)
Shaft	316L stainless steel
Mechanical Seal	Q1Q1X4GG (silicium carbide seal faces, HNBR elastomers)

Motor Data

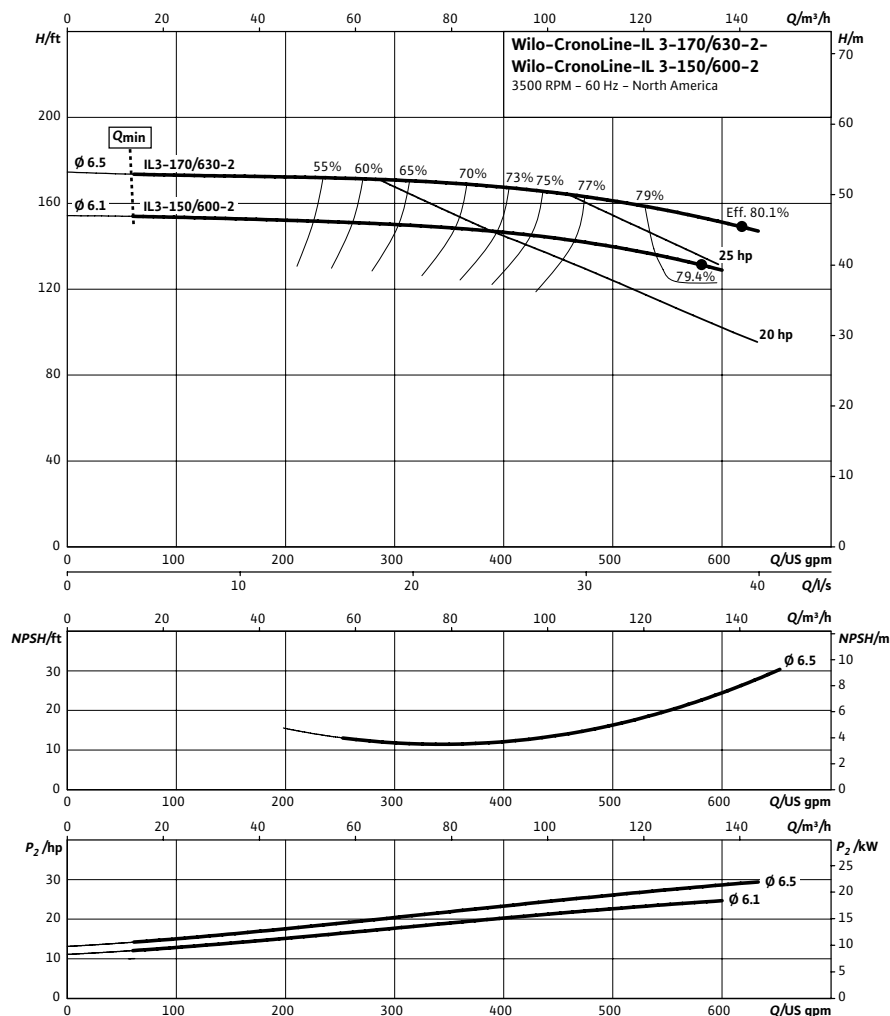
Power Supply	1~115/208-230 volt 3~208-230/460, 575 volt
Integrated full motor protection	integrated protection PTC/PTO on request (on-site trip unit required)
Protection Class	ODP (TEFC on request)
Insulation Class	F

Hydraulic Data

Flange Connection	1 1/4" Class 125 ANSI with 1/4" pressure gauge tapings
Max Operating Pressure	175 PSI (12 bar)
Min. Fluid Temp	-5°F (-20 °C)
Max Fluid Temp	285°F (140 °C)
Max. Ambient Temp	104°F (40 °C)

Application

- Hot water heating systems
- Air conditioning systems
- Closed cooling circuits
- Industrial circulation systems
- Solar Systems
- Geothermal Systems



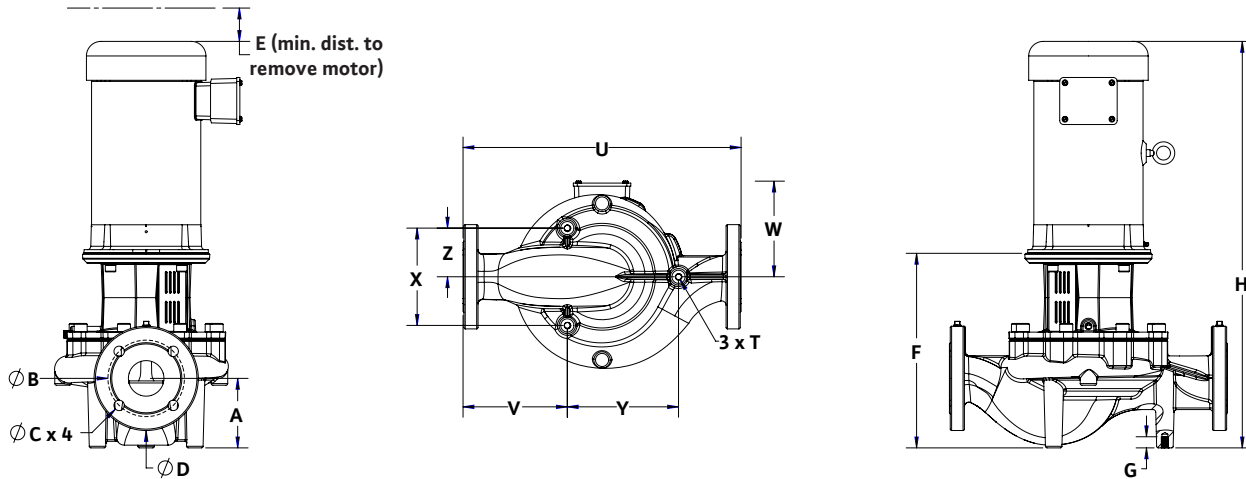
Approval Stamp

Submittal Data Sheet

In-line Centrifugal Pumps



Dimensions & Weights



Dimensions and Weights

Model	PEI	Voltage		P2	Phase	Dimensions (in)													Weight lbs
		[V]	Motor [HP]			Dia	A	E	F	G	H	T	U	V	W	X	Y	Z	
IL 3-150/600-2	0.95	208/230-460	TEFC	25	3	3.00	4.84	3.25	13.83	0.79	33.02	1/2"-13	19	7.6	11.52	7.09	7.87	3.55	458
		575	TEFC	25	3	3.00	4.84	3.25	13.83	0.79	37.18	1/2"-13	19	7.6	11.08	7.09	7.87	3.55	522
IL 3-170/630-2	0.95	208/230-460	TEFC	30	3	3.00	4.84	3.25	13.83	0.79	33.02	1/2"-13	19	7.6	11.52	7.09	7.87	3.55	528
		208/230-460	ODP	30	3	3.00	4.84	3.25	13.83	0.79	35.5	1/2"-13	19	7.6	12.21	7.09	7.87	3.55	460
	575	TEFC	30	3	3.00	4.84	3.25	13.83	0.79	37.18	1/2"-13	19	7.6	11.08	7.09	7.87	3.55	541	
		ODP	30	3	3.00	4.84	3.25	13.83	0.79	32.42	1/2"-13	19	7.6	11.93	7.09	7.87	3.55	443	

Flange Dimensions

Dimensions - Inches		
ØB	ØC x 4	ØD
6	0.75 x 4	8.25

Submittal Data Sheet

In-line Centrifugal Pumps



Wilo-IL 3-220 - 3-290 (2 Pole)



Project:	
Engineer:	
Contractor:	
Submitted By:	Date:
Approved By:	Date:

Tag #	Model #	Flow	Head	HP	Cycle	Phase	Voltage	RPM
					60Hz			3500

Product Info

Brand	Wilo
Product Description	IL 3-220 - IL 3-290

Construction Materials

Pump Volute	Cast Iron EN-GJL-250
Impeller	Bronze (cast iron optional)
Shaft	316L stainless steel
Mechanical Seal	Q1Q1X4GG (silicium carbide seal faces, HNBR elastomers)

Motor Data

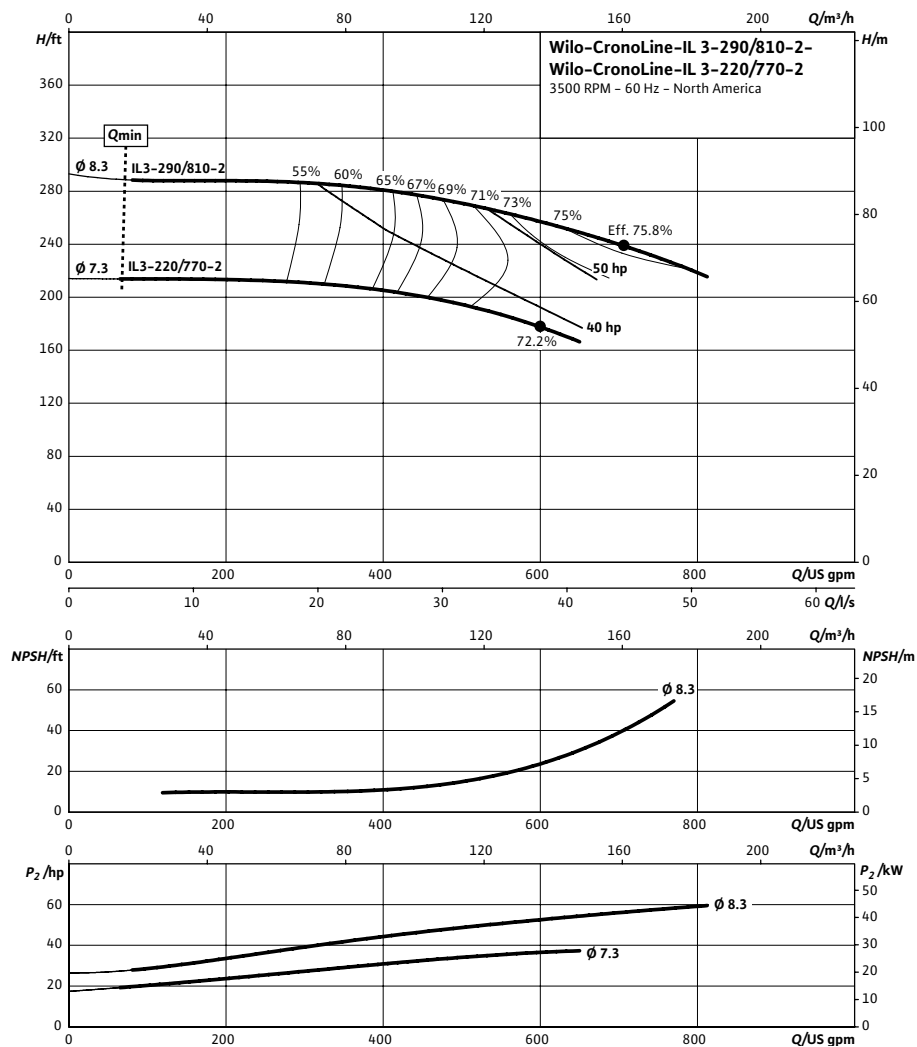
Power Supply	1~115/208-230 volt 3~208-230/460, 575 volt
Integrated full motor protection	integrated protection PTC/PTO on request (on-site trip unit required)
Protection Class	ODP (TEFC on request)
Insulation Class	F

Hydraulic Data

Flange Connection	1 1/4" Class 125 ANSI with 1/4" pressure gauge tapings
Max Operating Pressure	175 PSI (12 bar)
Min. Fluid Temp	-5°F (-20 °C)
Max Fluid Temp	285°F (140 °C)
Max. Ambient Temp	104°F (40 °C)

Application

- Hot water heating systems
- Air conditioning systems
- Closed cooling circuits
- Industrial circulation systems
- Solar Systems
- Geothermal Systems



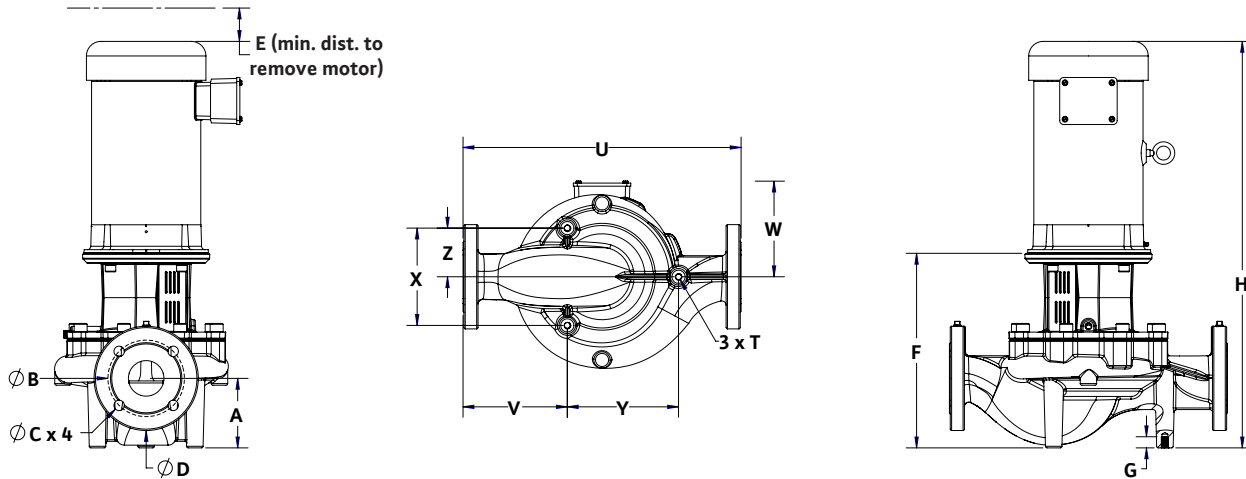
Approval Stamp

Submittal Data Sheet

In-line Centrifugal Pumps



Dimensions & Weights



Dimensions and Weights

Model	PEI	Voltage		P2	Phase	Dia	Dimensions (in)										Weight lbs		
		[V]	Motor				A	E	F	G	H	T	U	V	W	X		Y	Z
IL 3-220/770-2	0.99	208/230-460	TEFC	40	3	3.00	5.71	3.75	15.83	0.79	40.91	1/2"-13	21	8.87	13.74	8.66	9.13	4.33	639
		575	TEFC	40	3	3.00	5.71	3.75	15.83	0.79	41.73	1/2"-13	21	8.87	12.58	8.66	9.13	4.33	734
IL 3-290/810-2	0.97	208/230-460	TEFC	60	3	3.00	5.71	3.75	15.83	0.79	43.75	1/2"-13	21	8.87	18.1	8.66	9.13	4.33	999
		208/230-460	ODP	60	3	3.00	5.71	3.75	15.83	0.79	44.47	1/2"-13	21	8.87	16.02	8.66	9.13	4.33	1046
	575	TEFC	60	3	3.00	5.71	3.75	15.83	0.79	37.94	1/2"-13	21	8.87	13.39	8.66	9.13	4.33	656	
		ODP	60	3	3.00	5.71	3.75	15.83	0.79	37.94	1/2"-13	21	8.87	13.39	8.66	9.13	4.33	669	

Flange Dimensions

Dimensions - Inches

ϕB	$\phi C \times 4$	ϕD
6	0.75 x 4	8.25

Submittal Data Sheet

In-line Centrifugal Pumps

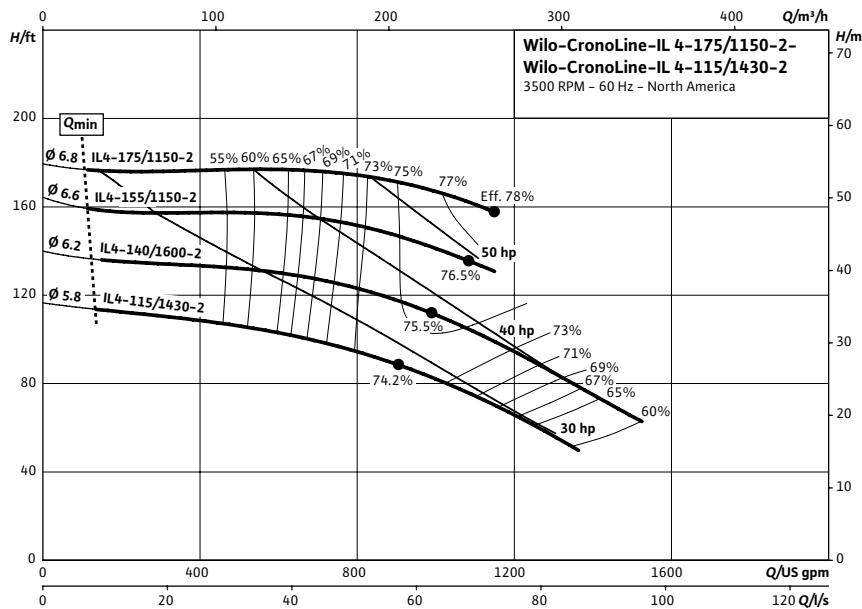


Wilo-IL 4-115 - 4-175 (2 Pole)



Project:	
Engineer:	
Contractor:	
Submitted By:	Date:
Approved By:	Date:

Tag #	Model #	Flow	Head	HP	Cycle	Phase	Voltage	RPM
					60Hz			3500



Product Info

Brand	Wilo
Product Description	IL 4-115 - IL 4-175

Construction Materials

Pump Volute	Cast Iron EN-GJL-250
Impeller	Bronze (cast iron optional)
Shaft	316L stainless steel
Mechanical Seal	Q1Q1X4GG (silicium carbide seal faces, HNBR elastomers)

Motor Data

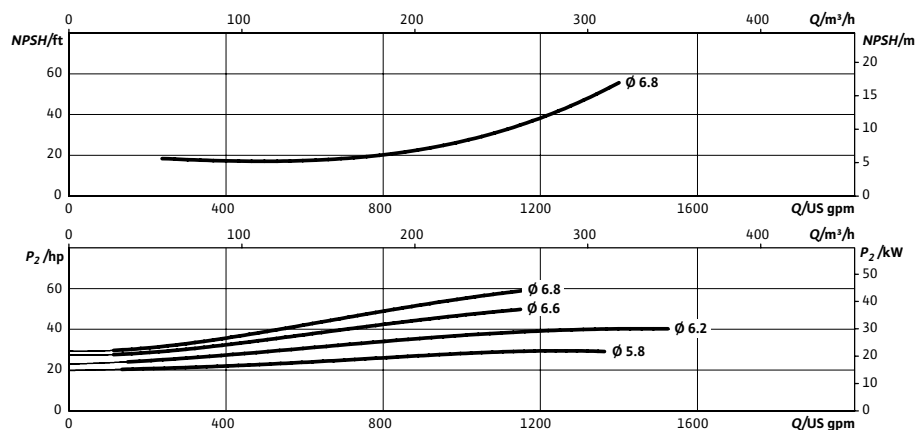
Power Supply	1-115/208-230 volt 3-208-230/460, 575 volt
Integrated full motor protection	integrated protection PTC/PTO on request (on-site trip unit required)
Protection Class	ODP (TEFC on request)
Insulation Class	F

Hydraulic Data

Flange Connection	1 1/4" Class 125 ANSI with 1/4" pressure gauge tappings
Max Operating Pressure	175 PSI (12 bar)
Min. Fluid Temp	-5°F (-20 °C)
Max Fluid Temp	285°F (140 °C)
Max. Ambient Temp	104°F (40 °C)

Application

- Hot water heating systems
- Air conditioning systems
- Closed cooling circuits
- Industrial circulation systems
- Solar Systems
- Geothermal Systems



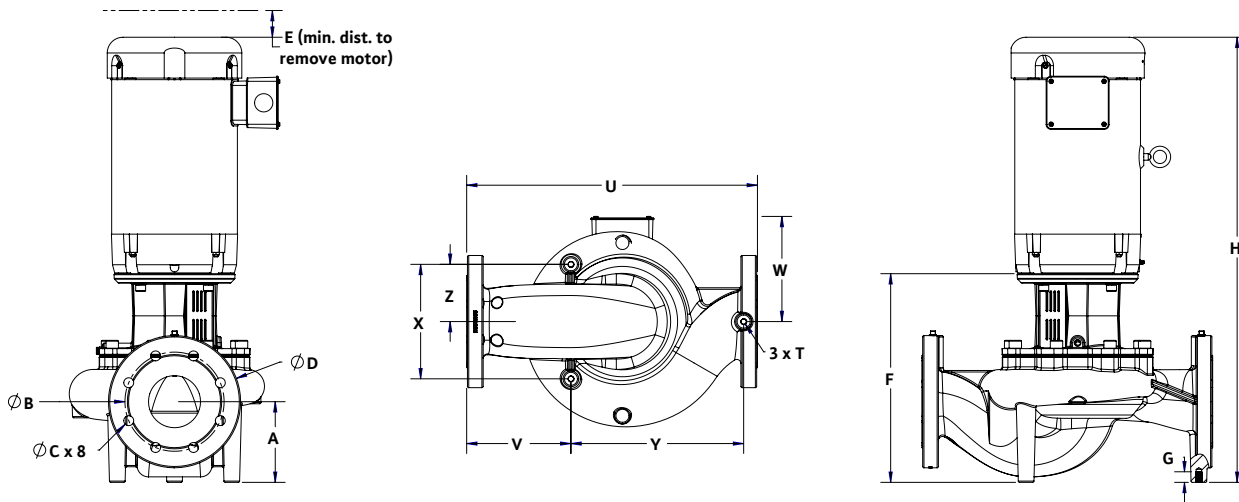
Approval Stamp

Submittal Data Sheet

In-line Centrifugal Pumps



Dimensions & Weights



Dimensions and Weights

Model	PEI	Voltage		P2	Phase	Dimensions (in)													Weight lbs
		[V]	Motor			Dia	A	E	F	G	H	T	U	V	W	X	Y	Z	
IL 4-115/1430-2	0.99	208/230-460	TEFC	30	3	4.00	5.2	3.25	16.08	0.79	35.26	1/2"-13	20.5	7.83	11.52	7.87	11.57	3.94	588
		208/230-460	ODP	30	3	4.00	5.2	3.25	16.08	0.79	37.75	1/2"-13	20.5	7.83	12.21	7.87	11.57	3.94	520
	575	TEFC	30	3	4.00	5.2	3.25	16.08	0.79	39.43	1/2"-13	20.5	7.83	11.08	7.87	11.57	3.94	601	
		ODP	30	3	4.00	5.2	3.25	16.08	0.79	34.67	1/2"-13	20.5	7.83	11.93	7.87	11.57	3.94	503	
IL 4-140/1600-2	0.99	208/230-460	TEFC	40	3	4.00	5.2	3.75	16.57	0.79	41.66	1/2"-13	20.5	7.83	13.74	7.87	11.57	3.94	654
		208/230-460	ODP	40	3	4.00	5.2	3.25	16.08	0.79	36.17	1/2"-13	20.5	7.83	11.93	7.87	11.57	3.94	548
	575	TEFC	40	3	4.00	5.2	3.75	16.57	0.79	42.48	1/2"-13	20.5	7.83	12.58	7.87	11.57	3.94	749	
ODP		40	3	4.00	5.2	3.25	16.08	0.79	36.17	1/2"-13	20.5	7.83	11.93	7.87	11.57	3.94	591		
IL 4-155/1150-2	0.99	208/230-460	TEFC	50	3	4.00	5.2	3.75	16.57	0.79	41.66	1/2"-13	20.5	7.83	14.63	7.87	11.57	3.94	654
		208/230-460	ODP	50	3	4.00	5.2	3.75	16.57	0.79	37.53	1/2"-13	20.5	7.83	11.5	7.87	11.57	3.94	676
	575	TEFC	50	3	4.00	5.2	3.75	16.57	0.79	42.48	1/2"-13	20.5	7.83	12.58	7.87	11.57	3.94	775	
ODP		50	3	4.00	5.2	3.75	16.57	0.79	37.19	1/2"-13	20.5	7.83	13.39	7.87	11.57	3.94	623		
IL 4-175/1150-2	0.98	208/230-460	TEFC	60	3	4.00	5.2	3.75	16.57	0.79	44.5	1/2"-13	20.5	7.83	18.1	7.87	11.57	3.94	1014
		208/230-460	ODP	60	3	4.00	5.2	3.75	16.57	0.79	45.22	1/2"-13	20.5	7.83	16.02	7.87	11.57	3.94	1061
	575	TEFC	60	3	4.00	5.2	3.75	16.57	0.79	38.69	1/2"-13	20.5	7.83	13.39	7.87	11.57	3.94	671	
ODP		60	3	4.00	5.2	3.75	16.57	0.79	38.69	1/2"-13	20.5	7.83	13.39	7.87	11.57	3.94	684		

Flange Dimensions

Dimensions - Inches		
ØB	ØC x 4	ØD
7.5	0.75 x 4	10

Submittal Data Sheet

In-line Centrifugal Pumps

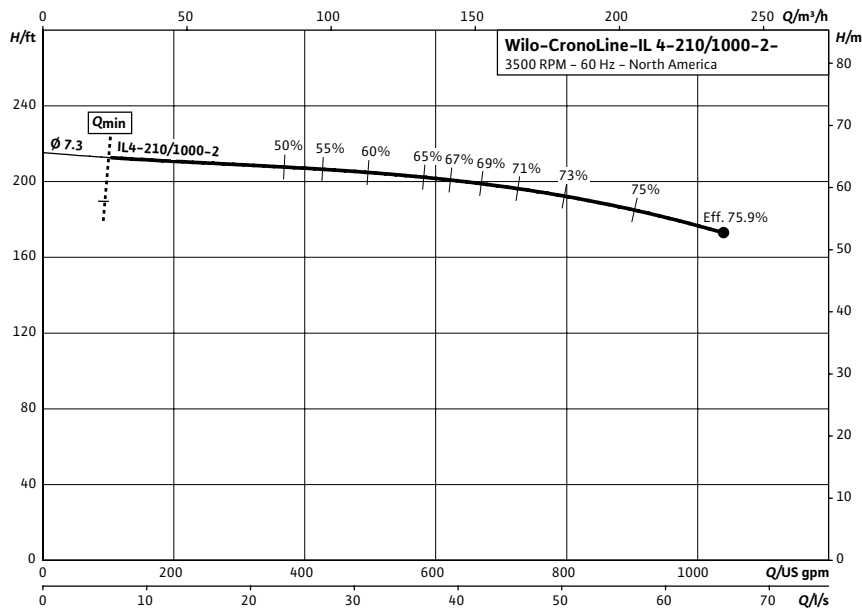


Wilo-IL 4-210 (2 Pole)



Project:	
Engineer:	
Contractor:	
Submitted By:	Date:
Approved By:	Date:

Tag #	Model #	Flow	Head	HP	Cycle	Phase	Voltage	RPM
	IL 4 210/1000-2				60Hz			3500



Product Info

Brand	Wilo
Product Description	IL 4-210

Construction Materials

Pump Volute	Cast Iron EN-GJL-250
Impeller	Bronze (cast iron optional)
Shaft	316L stainless steel
Mechanical Seal	Q1Q1X4GG (silicium carbide seal faces, HNBR elastomers)

Motor Data

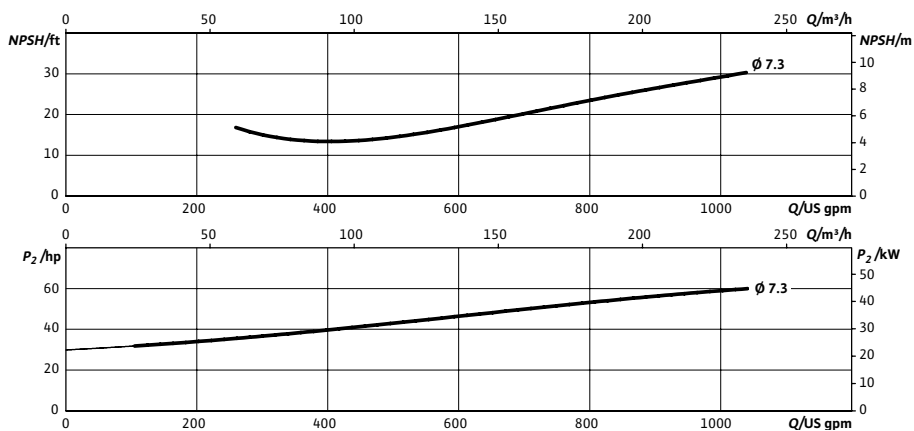
Power Supply	1~115/208-230 volt 3~208-230/460, 575 volt
Integrated full motor protection	integrated protection PTC/PTO on request (on-site trip unit required)
Protection Class	ODP (TEFC on request)
Insulation Class	F

Hydraulic Data

Flange Connection	1 ¼" Class 125 ANSI with ¼" pressure gauge tappings
Max Operating Pressure	175 PSI (12 bar)
Min. Fluid Temp	-5°F (-20 °C)
Max Fluid Temp	285°F (140 °C)
Max. Ambient Temp	104°F (40 °C)

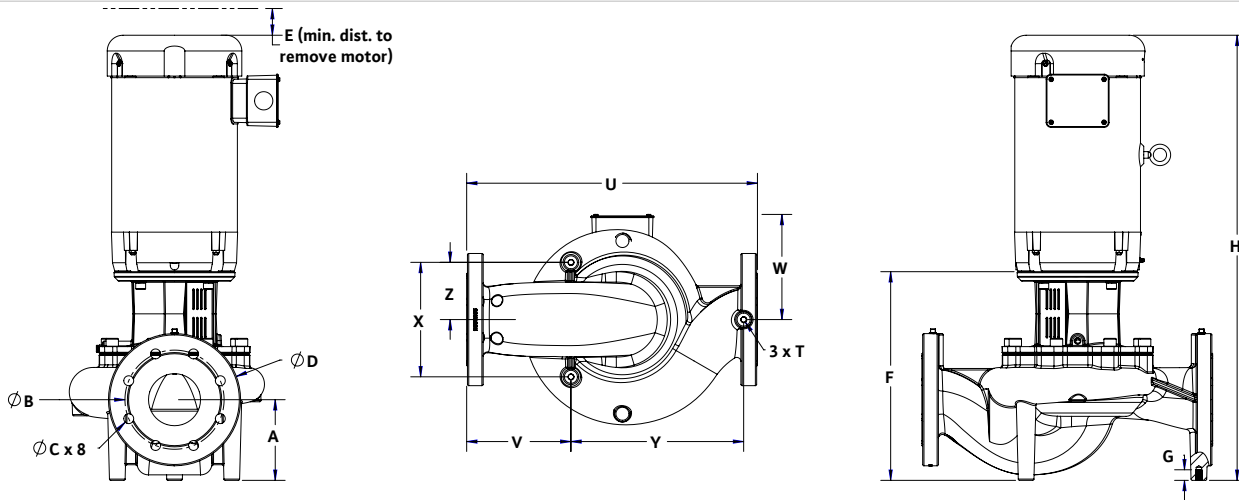
Application

- Hot water heating systems
- Air conditioning systems
- Closed cooling circuits
- Industrial circulation systems
- Solar Systems
- Geothermal Systems



Approval Stamp

Dimensions & Weights



Dimensions and Weights

Model	PEI	Voltage		P2	Phase	Dimensions (in)													Weight lbs
		[V]	Motor			[HP]	[-]	Dia	A	E	F	G	H	T	U	V	W	X	
IL 4-210/1000-2	1.00	208/230-460	TEFC	60	3	4.00	6.1	3.75	16.61	0.79	44.54	1/2"-13	22	7.89	18.1	8.66	13.07	4.33	1034
		208/230-460	ODP	60	3	4.00	6.1	3.75	16.61	0.79	38.72	1/2"-13	22	7.89	13.39	8.66	13.07	4.33	691
	575	TEFC	60	3	4.00	6.1	3.75	16.61	0.79	45.26	1/2"-13	22	7.89	16.02	8.66	13.07	4.33	1081	
		ODP	60	3	4.00	6.1	3.75	16.61	0.79	38.72	1/2"-13	22	7.89	13.39	8.66	13.07	4.33	704	

Flange Dimensions

Dimensions - Inches		
ϕB	$\phi C \times 4$	ϕD
7.5	0.75 x 4	10