

Wilo-Helix V 10-20-30-50-80-110-190-270



en Installation and operating instructions
fr Notice de montage et de mise en service

es Instrucciones de instalación y funcionamiento

Fig. 1

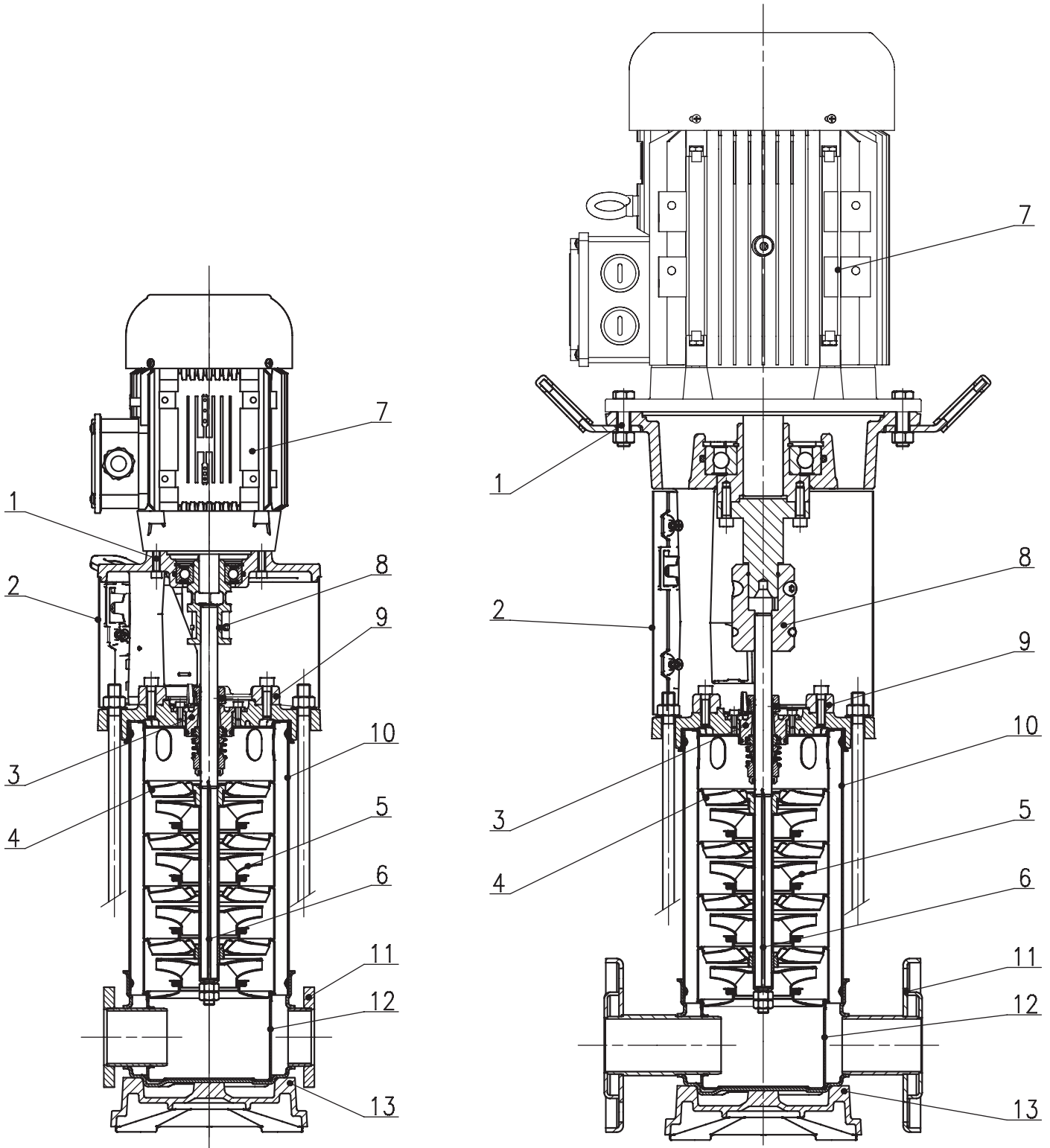


Fig. 2

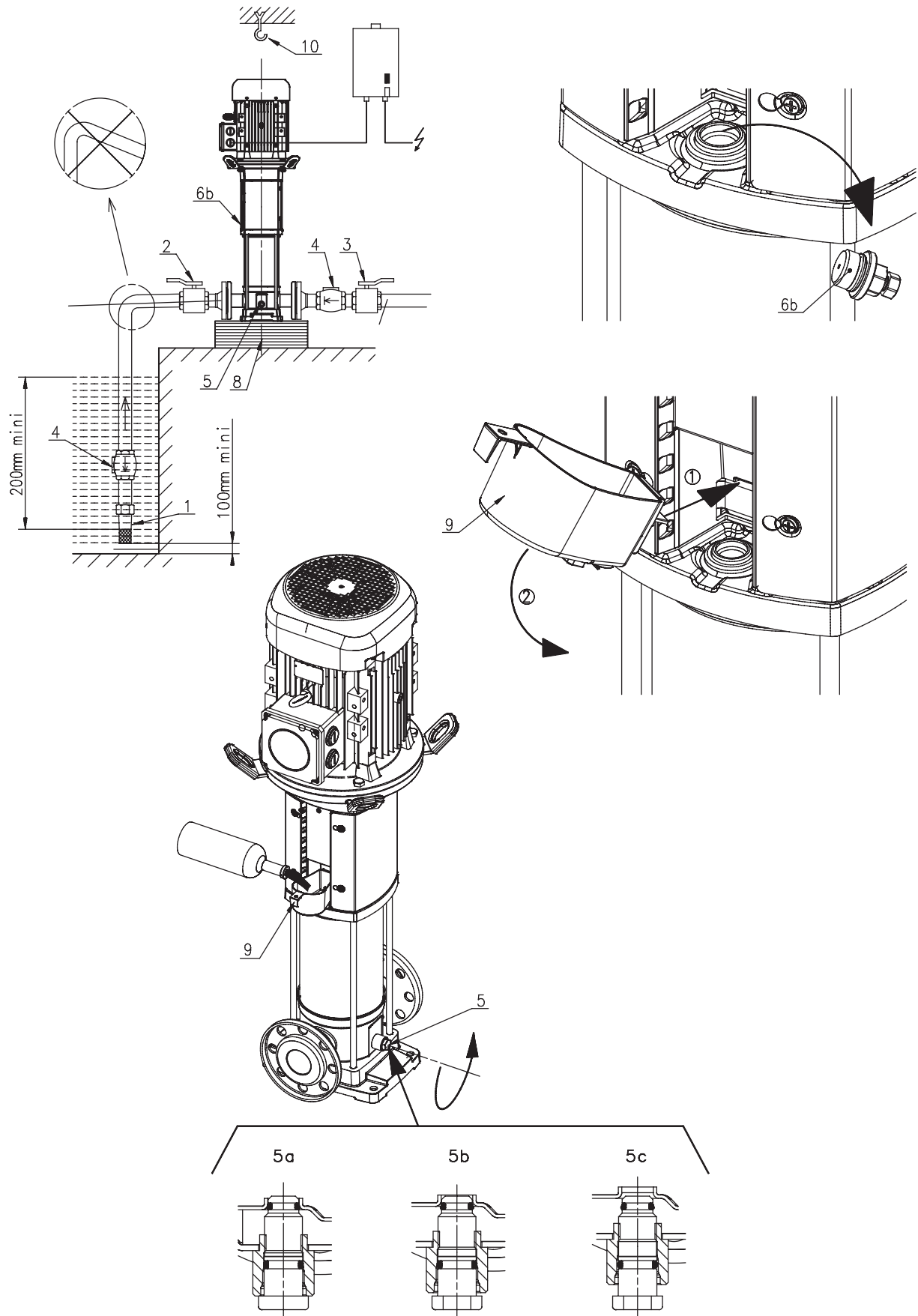


Fig. 3

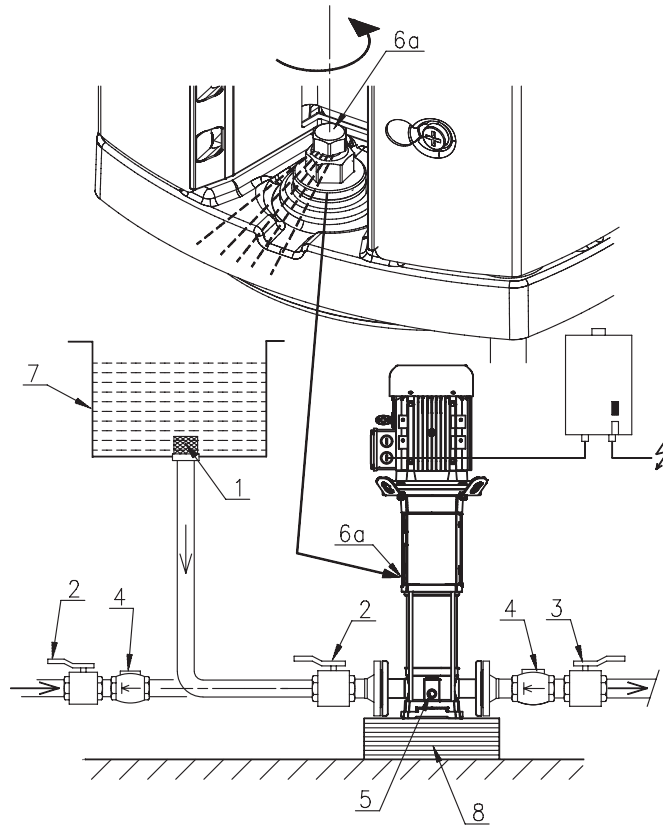
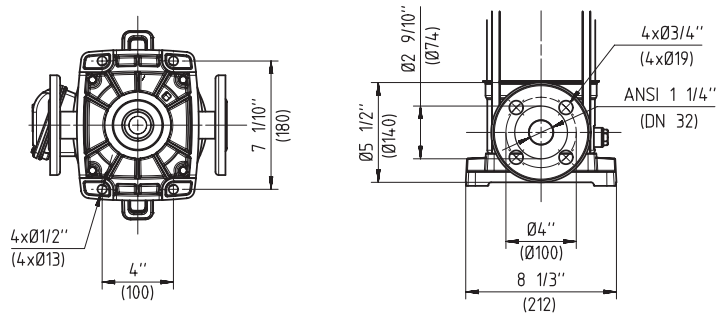


Fig. 4a

Helix V 10 - 20 - 30



Helix V 50 - 80

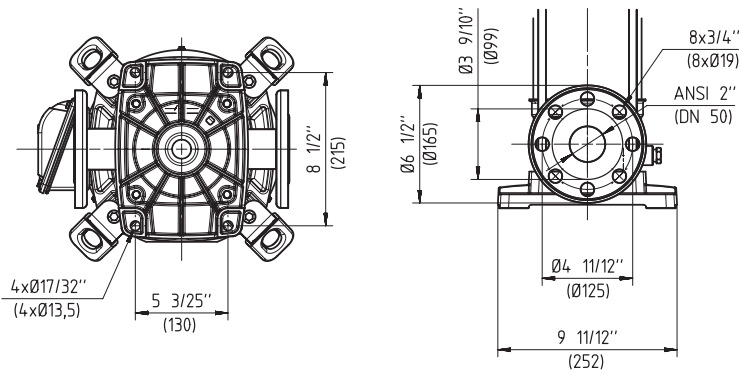
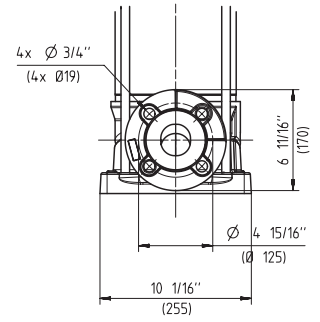
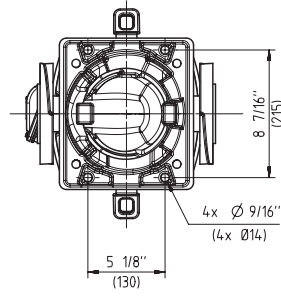
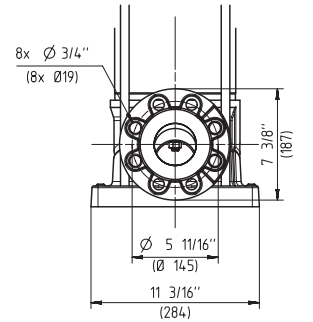
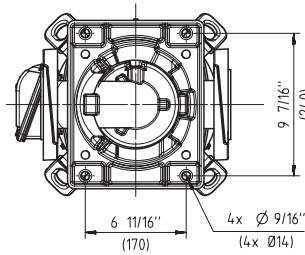


Fig. 4b

Helix V 110



Helix V 190



Helix V 270

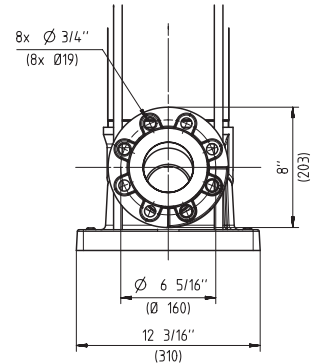
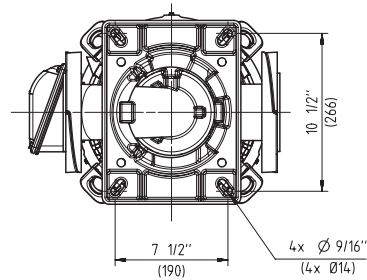
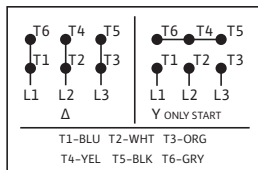


Fig. 5

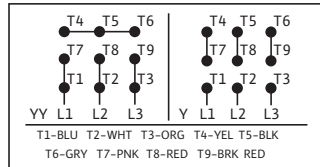
6 Leads up to all

WVE - DELTA 575V



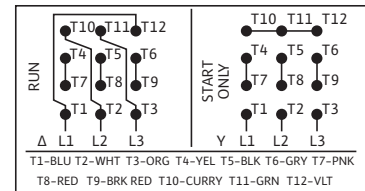
9 Leads up to 2 HP

DOL 208-230V 460V



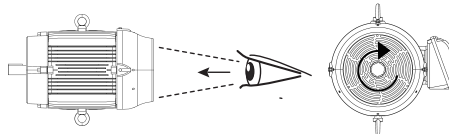
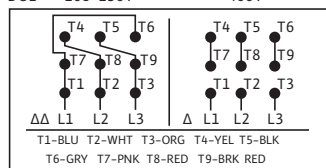
12 Leads above 10 HP, 3600 RPM, TEFC only

WVE-DELTA- 460V



9 Leads 3 to 10 HP, 3600 RPM, TEFC only

DOL 208-230V 460V



12 Leads above 10 HP, 3600 RPM, TEFC only

WVE-DELTA 208-230V

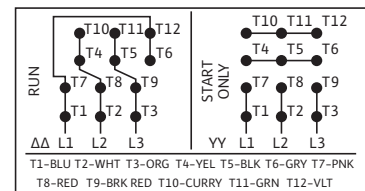


Fig. 6

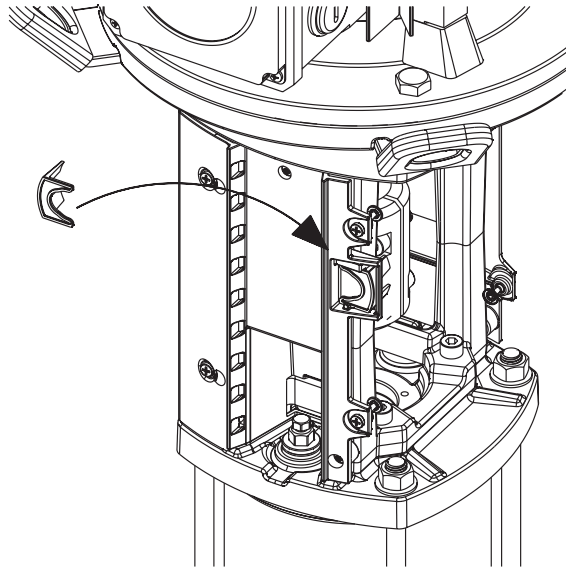
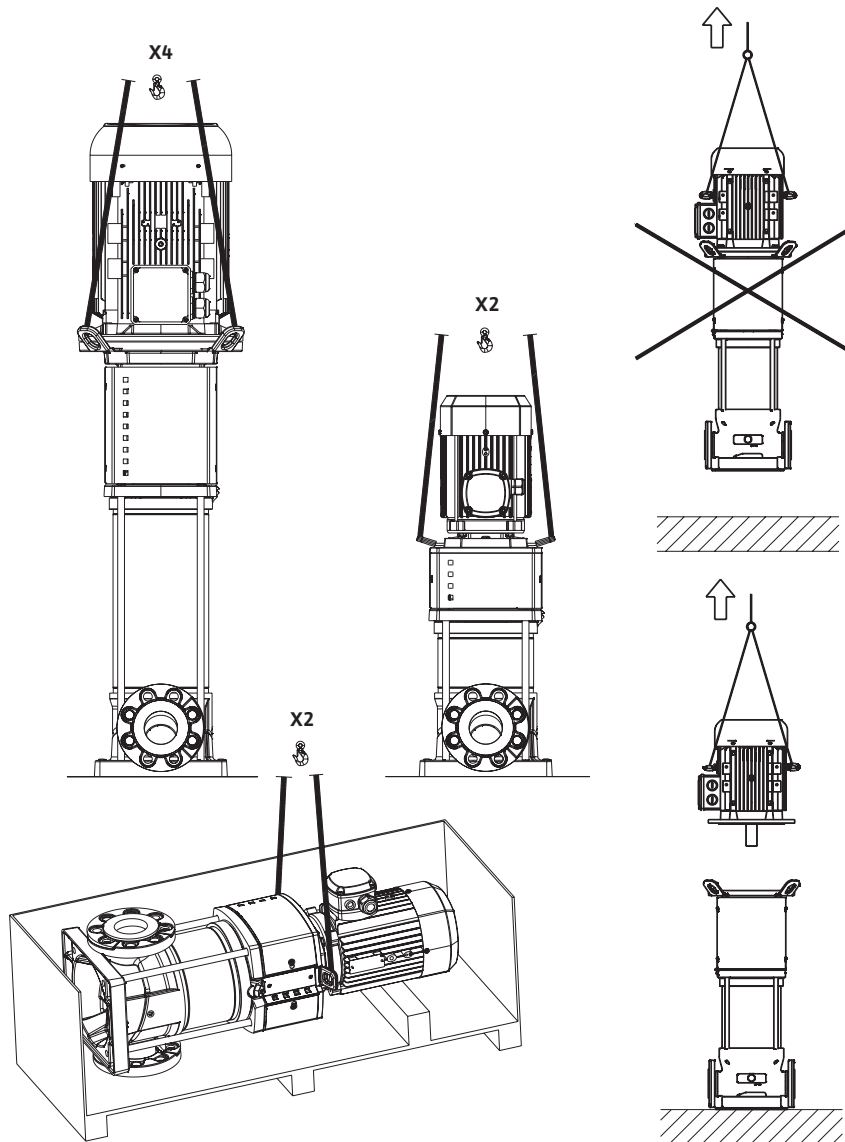


Fig. 7



US	Installation and operating instructions	8
fr	Notice de montage et de mise en service	15
es	Instrucciones de instalación y funcionamiento	22

1. General

1.1 About this document

The language of the original operating instructions is English. All other languages of these instructions are translations of the original operating instructions.

These installation and operating instructions are an integral part of the product. They must be kept readily available at the place where the product is installed. Strict adherence to these instructions is a precondition for the proper use and correct operation of the product.

These installation and operating instructions correspond to the relevant version of the product and the underlying safety standards valid at the time of going to print.

2. Safety

These instructions contain important information which must be followed when installing and operating the pump. It is therefore imperative that they be read by both the installer and the operator before the pump is installed or started up.

Both the general safety instructions in the “Safety precautions” section and those in subsequent sections indicated by danger symbols should be carefully observed.

2.1 Symbols and signal words used in these operating instructions

Symbols



General safety symbol



Hazards from electrical causes



NOTE:

Signal words:

DANGER! Imminently hazardous situation. Will result in death or serious injury if not avoided.

WARNING! Risk of (serious) injury. “Warning” implies that failure to comply with the safety instructions is likely to result in (severe) personal injury.

CAUTION! Risk of damage to the pump/installation. “Caution” alerts to user to potential product damage due to non-compliance with the safety instructions.

NOTE: Useful information on the handling of the product.

It alerts the user to potential difficulties.

2.2 Personnel qualification

The personnel installing the pump must have the appropriate qualification for this work.

2.3 Risks incurred by failure to comply with the safety instructions

Failure to comply with the safety precautions could result in personal injury or damage to the pump or installation. Failure to comply with the safety precautions could also invalidate any claim for damages.

In particular, failure to comply with these safety instructions could give rise, for example, to the following risks:

- the failure of important parts of the pump or installation,
- personal injury due to electrical and mechanical causes,
- material damage.

2.4 Safety consciousness on the job

Existing regulations for the prevention of accidents must be observed.

National Electrical Codes, local codes and regulations must be followed.

2.5 Safety instructions for the operator

This appliance is not intended for use by persons (including children) with reduced physical, sensory or mental capabilities, or lack of experience and knowledge, unless they have been given supervision or instruction concerning use of the appliance by a person responsible for their safety. Children should be supervised to ensure that they do not play with the appliance.

- If hot or cold components on the product/the unit lead to hazards, local measures must be taken to guard them against touching.
- Guards protecting against touching moving components (such as the coupling) must not be removed whilst the product is in operation.
- Leakages (e.g. from the shaft seals) of hazardous fluids (which are explosive, toxic or hot) must be led away so that no danger to persons or to the environment arises. National statutory provisions are to be complied with.
- Highly flammable materials are always to be kept at a safe distance from the product.
- Danger from electrical current must be eliminated. Local directives or general directives [e.g. IEC, VDE etc.] and local power supply companies must be adhered to.

2.6 Safety instructions for installation and maintenance work

The operator must ensure that all installation and maintenance work is carried out by authorized and qualified personnel, who are sufficiently informed from their own detailed study of the operating instructions.

Work on the product/unit must only be carried out when at a standstill. It is mandatory that the procedure described in the installation and operating instructions for shutting down the product/unit be complied with.

Immediately on conclusion of the work, all safety and protective devices must be put back in position and/or recommissioned.

2.7 Unauthorized modification and manufacture of spare parts

Unauthorized modification and manufacture of spare parts will impair the safety of the product/personnel and will make void the manufacturer’s declarations regarding safety.

Modifications to the product are only permissible after consultation with the manufacturer. Original spare parts and accessories authorized by the manufacturer ensure safety. The use of other parts will absolve us of liability for consequential events.

2.8 Improper use

The operating safety of the supplied product is only guaranteed for conventional use in accordance with Section 4 of the operating instructions. The limit values must on no account fall under or exceed those specified in the catalogue/data.

3. Transport and interim storage

When receiving the material, check that there has been no damage during the transport. If shipping damage has occurred, take all necessary steps with the carrier within the allowed time.



CAUTION! Outside influences may cause damages. If the delivered material is to be installed later on, store it in a dry place and protect it from impacts and any outside influences (humidity, frost etc.).

The product should be cleaned thoroughly before it is put into temporary storage. The product can be stored for at least one year.

Handle the pump carefully so as not to damage the unit prior to installation.

4. Application

This pump's basic function is to pump hot or cold water, water with glycol or other low viscosity fluids that contain no mineral oil, solid or abrasive substances, or materials having long fibers. The manufacturer's approval is required for use to pump corrosive chemicals.



CAUTION! Risk of explosion!

Do not use this pump to handle flammable or explosive liquids.

4.1 Applications areas

- water distribution and pressure boosting,
- industrial circulation systems,
- process fluids,
- cooling-water circuits,
- fire-fighting and washing stations,
- irrigation systems, etc.

5. Technical data

5.1 Pump designation

Example: Helix V110-02/02-1/A3/E/KS/N/5/3	
Helix V	Vertical high-pressure multistage centrifugal pump in in-line design
110	Flow rate in US Gallons per minute
02	Number of impellers
2	Number of trimmed impellers (optional)
1	Pump material code 1 = Pump housing 1.4301 (AISI 304) + Hydraulics 1.4307 (AISI 304) 2 = Pump housing 1.4409 (AISI 316L) + Hydraulics 1.4404 (AISI 316L)
A3	Flange design A3 = ANSI 300 Class for models V10-V80 or 250# ANSI for models V110-V270 Optional and available upon request: O = langes with Female NPT counter langes or P = Victaulic connection
E	Gasket type E = EPDM V = FKM
K	K = Cartridge mechanical seal
S	The coupling guard is on a line with suction and discharge ports of the pump
N	Pressure Rating (Mechanical Seal) N = 230 PSI (16 BAR) H = 360 PSI (25 BAR)
5	Motor Horsepower
3	Motor Type 2 = 230/460 60Hz, 3~ 3 = 208-230/460 60 Hz, 3~ 4 = 575 60Hz, 3~
Bare-shaft pump (without motor)	
38 / 56C-215C	∅ motor shaft – NEMA lantern size

5.2 Data table

Maximum operating pressure	
Pump casing	230, 360 PSI; depending on the model
Maximum suction pressure	145 PSI Note : real inlet pressure (Pinlet)+ pressure at 0 flow delivered by the pump must be below the maximum operating pressure of the pump. In case of exceeding maximum operating pressure, the ball bearing and the mechanical seal could be damaged or lifetime could decrease. $P_{\text{Inlet}} + P_{\text{at 0 flow}} \leq P_{\text{max pump}}$ See pump nameplate to know the maximum operating pressure: Pmax
Temperature range	
Liquid temperatures	-4°F to +248°F +5°F to +194°F (with FKM seal)
Ambient temperature	+5°F to +104 °F Other temperature on request
Electrical data	
Motor efficiency	Motor according to NEMA 12-12 Rule
Motor Protection index	IP 55
Insulation class	F
Frequency	60 Hz
Electrical voltage	See motor nameplate
Other data	
Humidity	< 90% (with no condensation)
Altitude	< 3,280 Ft. (> 3,280 Ft. on request)
Maximum suction head	According to NPSH of the pump
Sound pressure level dB(A) 0/+3 dB(A)	Power (HP)
	0.5 0.75 1 1.5 2 3 5 7.5 10 15 20 25 30 40 50 60
	60Hz 60 61 63 67 71 72 74 78 81 84

5.3 Scope of supply

- Multistage pump.
- Installation and operating instructions.

5.4 Accessories

Original accessories are available for HELIX range:

Designation	Article n°.
1-1/4" 304 StS Counter Flange Kit (2x)	2770484
2" 304 StS Counter Flange Kit (2x)	2770485
2.5" 304 StS Counter Flange Kit (2x)	2770486
3" 304 StS Counter Flange Kit (2x)	2770487
Bypass kit 360 PSI	4146786
Bypass kit (with pressure gauge 360 PSI)	4146788
Baseplate with dampers for pumps up to 7.5 HP	4157154

The use of new accessories is recommended.

6. Description and function

6.1 Product description

FIG. 1

- 1 - Motor connection bolt
- 2 - Coupling guard
- 3 - Mechanical seal
- 4 - Hydraulic stage casing
- 5 - Impeller
- 6 - Pump shaft
- 7 - Motor
- 8 - Coupling
- 9 - Lantern
- 10 - Tube liner
- 11 - Flange
- 12 - Pump housing
- 13 - Base plate

FIG. 2, 3

- 1 - Strainer
- 2 - Pump suction valve
- 3 - Pump discharge valve
- 4 - Check valve
- 5 - Drain + priming plug
- 6 - Air bleed screw + Filling plug
- 7 - Tank
- 8 - Foundation block
- 10 - Lifting hook

6.2 Design of product

- HELIX pumps are vertical high pressure non-self priming pumps with inline connection based on multistage design.
- HELIX pumps combine use of both high efficiency hydraulics and motors.
- All metallic parts in contact with water are made of stainless steel.
- For models equipped with heaviest motor (>88 lbs), a specific coupling allows to change the seal without removing the motor. A cartridge seal is then used in order to ease maintenance.
- Special handling devices are integrated in order to facilitate pump installation (Fig. 7).

7. Installation and electrical connection

Installation and electrical work in compliance with any local codes and by qualified personnel only.



WARNING! Bodily injury!

Existing regulations for the prevention of accidents must be observed.



WARNING! Electrical shock hazard!

Dangers caused by electrical energy must be excluded.

7.1 Commissioning

Unpack the pump and dispose of the packaging in an environmentally-responsible manner.

7.2 Installation

The pump must be installed in a dry, well-ventilated and frost-free place.



CAUTION! Possible damage of the pump!

Dirt and solder drops in to the pump body can effect the pump operation.

- It is recommended that any welding and soldering work be done before installing the pump.
- Thoroughly flush the system out before installing the pump.

- The pump must be installed in an easily accessible position to facilitate inspection or replacement.
- For heavy pumps, install a lifting hook (Fig. 2, item 10) above the pump in order to ease its disassembly.



WARNING! Risk of accident by hot surfaces!

The pump must be positioned so that someone cannot come into contact with the hot pump surfaces while operation.

- Install the pump in a dry place protected from frost, on a flat concrete block using appropriate accessories. If possible, use an insulating material under the concrete block (cork or reinforced rubber) to avoid any noise and vibration transmission into the installation.



WARNING! Risk of fall!

The pump must be correctly screwed to the ground.

- Install the pump in a dry and frost-free place on a flat concrete block using appropriate accessories. If possible, use an insulating material under the concrete block (cork or reinforced rubber) to avoid any noise and vibration transmission into the installation.



CAUTION! Risk of parts inside the pump!

Take care to remove closure members of the pump housing before installation.



NOTE: Each pumps could be tested regarding hydraulic features in factory, some water may remain in them. It is recommended for hygienic purposes, to carry out a rinsing of the pump before any using with potable water supply.

- The installation and connection dimensions are given § 5.2.

- Lift the pump carefully by using the integrated hooks rings, if necessary with a hoist and suitable slings according to the current hoist guidelines.



WARNING! Risk of fall!

Take care to pump fixations especially for the highest pumps whose center of gravity may lead to risk during pump handling.



WARNING! Risk of fall!

Use integrated rings only if they are not damaged (no corrosion ...). Replace them if needed.



WARNING! Risk of fall!

The pump must be never carried by using motor hooks: these are only designed to lift the motor alone.

7.3 Pipe connection

- Connect the pump to the pipes by using appropriate counter-flanges, bolts, nuts and gaskets.



CAUTION!

Tightening of screws or bolts must not exceed.

230 PSI / 360 PSI
180 In. Lbs. / 260 In. Lbs.

Use of impact wrench is prohibited.

- The circulation sense of the fluid is indicated on the identification label of the pump.
- Pump must be installed in such a way that it is not stressed by the pipework. The pipes must be attached so that the pump does not bear their weight.
- It is recommended that isolation valves be installed on the suction and discharge side of the pump.
- Use of expansion joints may mitigate noise and vibration of the pump.
- As regards the nominal cross-section of the suction pipe, we recommend a cross-section at least as large as that of the pump connection.
- A check valve could be placed on the discharge pipe in order to protect the pump against hammer shock.
- For direct connection to a public drinking water system, the suction pipe must also have a check valve and a guard valve.
- For indirect connection via a tank, the suction pipe must have a strainer to keep any impurities out of the pump and a check valve.

7.4 Motor connection for bare-shaft pump (without motor)

- Remove coupling guards.



NOTE: Coupling guards can be removed without entirely unscrewing screws.

- Install the motor on the pump by using screws (NEMA lantern size – see product designation) or bolts, nuts and handling devices) provided with the pump : check motor power and dimension in Wilo catalogue.



NOTE: Depending on fluid characteristics, motor power could be modified. Contact Wilo Customer Services if needed.

- Close the coupling guards by screwing all screws provided with the pump.

7.5 Electrical connection



WARNING! Electrical shock hazard!

Dangers caused by electrical energy must be excluded.

- Electrical work by a qualified electrician only!
- All electrical connections must be performed after the electrical supply has been switched off and secured against unauthorized switching.
- For safe installation and operation a proper grounding of the pump to the power supply's grounding terminals is required.
- Check that operating current, voltage and frequency used comply with motor plating data.
- The pump must be connected to the power supply by a solid cable equipped with a grounded plug-connection or a main power switch.
- Three-phase motors must be connected to an approved motor starter. The set nominal current must correspond to the electrical data on the pump motor name plate.
- The supply cable must be laid so that it never touches the pipework and/or the pump and motor casing.
- The pump/installation should be grounded in compliance with local regulations. A ground fault interrupter can be used as extra protection.
- The connection to the network must be in accordance with the connection plan (Fig. 5).

7.6 Operation with frequency converter

- Motors used can be connected to a frequency converter in order to adapt pump performance to duty point.
- The converter must not generate voltage peaks at motor terminals higher than 850V and dU/dt slope higher than 2500 V/μs.
- In case of higher value, an appropriate filter must be used: contact converter manufacturer for this filter definition and selection.
- Strictly follow instructions provided by the converter manufacturer data sheet for installation.
- Minimum variable speed should not be set below 40% of pump nominal speed.

8. Start up

8.1 System filling – Venting



CAUTION! Possible damage of the pump!

Never operate the pump dry.
The system must be filled before starting the pump.

8.1.1 Air evacuation process – Pump with sufficient supply pressure (Fig. 3)

- Close the two guard valves (2, 3).
- Unscrew the air bleed screw from filling plug (6a).
- Slowly open the guard valve on the suction side (2).
- Re-tighten the air-bleed screw when air escapes at the air bleed screw and the pumped liquid flows (6a).



WARNING!

When the pumped liquid is hot and the pressure high, the stream escaping at the air bleed screw may cause burns or other injuries.

- Open the guard valve on the suction side completely (2).
- Start the pump and check if direction of rotation matches the one printed on pump plating. If this is not the case, interchange two phases in the terminal box.



CAUTION!

A wrong direction of rotation will cause bad pump performances and possibly coupling damage.

- Open the guard valve on the discharge side (3).

8.1.2 Air evacuation process – Pump in suction (Fig. 2)

- Close the guard valve on the discharge side (3). Open the guard valve on the suction side (2).
- Remove the filling plug (6b).
- Open the drain-priming plug not completely (5b).
- Fill the pump and the suction pipe with water.
- Make sure that there is no air in the pump and in the suction pipe: refilling until complete removal of air is required.
- Close the filling plug with air bleed screw (6b).
- Start the pump and check if direction of rotation matches the one printed on pump plating. If this is not the case, interchange two phases in the terminal box.



CAUTION!

A wrong direction of rotation will cause bad pump performances and possibly coupling damage.

- Open the guard valve on the discharge side a little (3).
- Unscrew the air bleed screw from filling plug for air venting (6a).
- Re-tighten the air-bleed screw when air escapes at the air bleed screw and the pumped liquid flows.



WARNING!

When the pumped liquid is hot and the pressure high, the stream escaping at the air bleed screw may cause burns or other injuries.

- Open the guard valve on the discharge side completely (3).
- Close the drain-priming plug (5a).

8.2 Starting up



CAUTION!

The pump must not operate at zero flow (closed discharge valve).



WARNING! Risk of injury!

When the pump runs, coupling guards must be in place, tightened with all appropriate screws.



WARNING! Important noise!

Noise emitted by most powerful pumps could be very high : protection must be used in case of long stay close to the pump.



WARNING!

Installation must be designed in order that no one could be hurt in case of fluid leakage (mechanical seal failure ...).

9. Maintenance – Service

All servicing should be performed by an authorized service representative!



WARNING! Electrical shock hazard!

Dangers caused by electrical energy must be excluded. All electrical work must be performed after the electrical supply has been switched off and secured against unauthorized switching.



WARNING! Risk of scalding!

At high water temperatures and system pressure close isolating valves before and after the pump. First, allow pump to cool down.

- These pumps are low maintenance. A regular check is recommended every 15,000 hours.
- In option, mechanical seal could be easily replace on some models thanks to its cartridge seal design. Insert its adjusting wedge in its housing (Fig. 6) once mechanical seal position is set.
- Always keep the pump perfectly clean.
- Pumps which are not being used during periods of frost should be drained to avoid damage: Close the guard valves, open completely the drain-priming plug and the air bleed screw.
- Service life: 10 years depending on the operating conditions and whether all requirements described in the operation manual have been met.

10. Defects – causes – remedies



WARNING! Electrical shock hazard!

Dangers caused by electrical energy must be excluded. All electrical work must be performed after the electrical supply has been switched off and secured against unauthorized switching.



WARNING! Risk of scalding!

At high water temperatures and system pressure close isolating valves before and after the pump. First, allow pump to cool down.

Defects	Causes	Remedies
Pump fails to operate	No current	Check the fuses, the wiring, and the connectors
	The thermistor tripping device has tripped out, cutting off power	Eliminate any cause of overloading of the motor
Pump runs but delivers too little	Wrong direction of rotation	Check the direction of rotation of the motor and correct it if necessary
	Parts of the pump are obstructed by foreign bodies	Check and clean the pipe
	Air in suction pipe	Make the suction pipe airtight
	Suction pipe too narrow	Install a larger suction pipe
	The valve is not open far enough	Open the valve properly
Pump delivers unevenly	Air in pump	Evacuate the air in the pump; check that the suction pipe is airtight. If required, start the pump 20–30s – open the air bleed screw in order to move air away – close the air bleed screw and repeat it several times until no more air is going out of the pump
Pump vibrates or is noisy	Foreign bodies in pump	Remove the foreign bodies
	Pump not properly attached to ground	Retighten the screws
	Bearing damaged	Call Wilo Customer Service
Motor overheats. Its protection trips out	A phase is open-circuit	Check the fuses, the wiring, and the connectors
	Ambient temperature too high	Provide cooling
Mechanical seal is leaking	Mechanical seal is damaged	Replace the mechanical seal

If the fault cannot be solved, please contact Wilo customer services.

11. Spare parts

All spare parts must be ordered through Wilo Customer Services.

In order to avoid any mistakes, please specify the name plate data for orders.

Spare parts catalogue is available at www.wilo.com.

12. Safe disposal

Proper disposal and recycling of this product prevents damage to the environment and risks to personal health. Disposal in accordance with the regulations requires the product to be drained and cleaned.

Lubricants must be collected. The pump components are to be separated according to material (metal, plastic, electronics).

1. Use public or private disposal organizations when disposing of all or part of the product.
2. For more information on proper disposal, please contact your local council or waste disposal office or the supplier from whom you obtained the product.



NOTE: The pump must not be disposed of along with household waste. Further information on recycling can be found at www.wilo-recycling.com.

Subject to technical alterations!

1. Généralités

1.1 A propos de ce manuel

La langue de la notice de montage et de mise en service d'origine est l'anglais. Toutes les autres langues de la présente notice sont une traduction de la notice de montage et de mise en service d'origine.

La notice de montage et de mise en service fait partie intégrante du matériel et doit être disponible en permanence à proximité du produit. Le strict respect de ces instructions est une condition nécessaire à l'installation et à l'utilisation conformes du produit.

La rédaction de la notice de montage et de mise en service correspond à la version du produit et aux normes de sécurité en vigueur à la date de son impression.

2. Sécurité

Ces consignes contiennent d'importantes informations qui doivent être respectées lors de l'installation et la mise en service de la pompe. Il est par conséquent impératif qu'elles soient lues par l'installateur et l'utilisateur avant que la pompe ne soit installée et mise sous tension.

Les consignes de sécurité générale et la section "Précautions de sûreté" ainsi que les sections qui en découlent indiquées par des symboles danger doivent être rigoureusement observées.

2.1 Symboles et mots d'avertissement utilisés dans ces consignes de mise en service

Symboles



Symbole de sécurité générale.



Risques électriques.



REMARQUE :

Avertissement :

DANGER ! Situation de danger imminent.
Peut entraîner la mort ou des blessures corporelles sérieuses si danger non écarté.

AVERTISSEMENT ! L'utilisateur peut être exposé à des blessures (sérieuses). 'Avertissement' est employé en cas de risque pour la santé de l'utilisateur quand il néglige la procédure.

ATTENTION ! Le produit risque d'être endommagé.
'Attention' est employé en cas de risque pour le produit quand l'utilisateur néglige les procédures.

REMARQUE ! Note avec des informations utiles pour l'utilisateur en rapport avec le produit. Elle assiste l'utilisateur en cas d'éventuels problèmes.

2.2 Personnel qualifié

Le personnel installant la pompe doit avoir les qualifications appropriées pour ce travail.

2.3 Risques encourus par non-respect des précautions de sûreté

Le non-respect des précautions de sûreté peut provoquer des blessures corporelles ou l'endommagement de la pompe ou de l'installation. Le non-respect des précautions

de sûreté peut rendre caduques la garantie et/ou les réclamations.

En particulier, le non-respect des précautions de sûreté peut augmenter les risques potentiels suivants :

- la mise en défaut de composants importants de la pompe ou de l'installation,
- des blessures corporelles dues à des causes électriques ou mécaniques,
- des dégâts matériels.

2.4 Précautions de sûreté pour l'opérateur

Les réglementations existantes pour la prévention des accidents doivent être observées.

Les règles nationales électriques, les règles locales et les réglementations doivent être suivies.

2.5 Consignes de sécurité pour l'utilisateur.

Cet appareil n'est pas prévu pour être utilisé par des personnes (y compris des enfants) dont les capacités physiques, sensorielles ou mentales sont réduites, ou des personnes dénuées d'expérience ou de connaissance, sauf si elles ont pu bénéficier, par l'intermédiaire d'une personne responsable de leur sécurité, d'une surveillance ou d'instructions préalables concernant l'utilisation de l'appareil.

Il convient de surveiller les enfants pour s'assurer qu'ils ne jouent pas avec l'appareil.

- Si des composants chauds ou froids induisent des dangers sur le produit ou l'installation, il incombe alors au client de protéger ces composants afin d'éviter tout contact.
- Une protection de contact pour des composants en mouvement (p. ex. accouplement) ne doit pas être retirée du produit en fonctionnement.
- Des fuites (p. ex. joint d'arbre) de fluides véhiculés dangereux (p. ex. explosifs, toxiques, chauds) doivent être éliminées de telle façon qu'il n'y ait aucun risque pour les personnes et l'environnement. Les dispositions nationales légales doivent être respectées.
- Il y a également lieu d'exclure tout danger lié à l'énergie électrique. On se conformera aux dispositions de la réglementation locale ou générale [IEC, VDE, etc.], ainsi qu'aux prescriptions de l'entreprise qui fournit l'énergie électrique.

2.6 Modifications et fabrication de pièces de rechange non autorisées

Les modifications de la pompe ou de l'installation peuvent être réalisées uniquement avec l'accord du fabricant. L'utilisation de pièces de rechange et d'accessoires originaux agréés par le fabricant en assure la sécurité. L'utilisation de tout autre composant peut rendre non valables les réclamations invoquant la responsabilité du fabricant quelles qu'en soient les conséquences.

2.7 Usage impropre

La sécurité opérationnelle de la pompe ou du système fournis peut être garantie seulement si elle/il est utilisé(e) en accord avec le paragraphe 4 des consignes d'utilisation. Les limites données dans le catalogue ou la notice produit ne doivent être en aucun cas dépassées.

2.8 Modes d'utilisation non autorisés

La sécurité de fonctionnement du produit livré n'est garantie que si les prescriptions précisées au chap. 4 de la notice de montage et de mise en service sont respectées. Les valeurs indiquées dans le catalogue ou la fiche technique ne doivent en aucun cas être dépassées, tant en maximum qu'en minimum.

3. Transport et stockage intermédiaire

Lors de la réception du matériel, vérifier qu'il n'y pas eu d'avarie pendant le transport. Si il y a eu avarie pendant l'expédition, prendre toutes les mesures nécessaires avec le transporteur dans les temps impartis.



ATTENTION ! L'environnement peut provoquer des dommages. Si le matériel livré doit être installé ultérieurement, le stocker dans un endroit sec et le protéger des chocs et de toute agression extérieure (humidité, gel, etc. ...). La pompe doit être soigneusement nettoyée avant d'être mise en stockage temporaire. Les pompes neuves sont préparées de telle sorte qu'elles peuvent être stockées pendant une durée d'un an.

Manipuler la pompe avec soin de manière à ne pas endommager le produit avant l'installation.

4. Application

La fonction de base de la pompe est de pomper de l'eau froide ou chaude, de l'eau glycolée ou d'autres fluides à faible viscosité qui ne contiennent pas d'huile minérale, de substances solides ou abrasives, ou de matériaux à fibres longues. Il faut l'accord du fabricant dans le cas de pompage de composants chimiques corrosifs.



DANGER ! Risque d'explosion !

Ne pas utiliser cette pompe pour véhiculer des liquides inflammables ou explosifs.

4.1 Applications

- Distribution d'eau et systèmes de surpression
- Systèmes de circulation industriels
- Fluides de process
- Circuit d'eau de refroidissement
- Stations anti-incendie et de lavage
- Installations d'arrosage, irrigation, etc.

5. Données techniques

5.1 Désignation de la pompe

Exemple: Helix V110-02/02-1/A3/E/KS/N/5/3	
Helix V	Pompe verticale multicellulaire in-line
110	Débit en US Gallons par minute
02	Nombre de roues
2	Nombre de roues coupées (optionnel)
1	Code matériaux pompe 1 = Corps inox 1.4301 (AISI 304) + Hydrauliques inox 1.4307 (AISI 304) 2 = Corps inox 1.4409 (AISI 316L) + Hydrauliques inox 1.4404 (AISI 316L)
A3	Type de bride A3 = brides ANSI 300lb Optionnel et disponible sur demande : O = brides avec contre-brides femelle NPT ou P = connexion Victaulic
E	Type d'étanchéité E = EPDM V = FKM
K	K = Cartouche garniture mécanique simple 80 = Cartouche garniture mécanique - EPDM A0 = Cartouche garniture mécanique - FKM
S	Orientation lanterne alignée avec l'aspiration et le refoulement de la pompe
N	Pression (garniture mécanique) N = 230 PSI (16 BAR) H = 360 PSI (25 BAR)
5	Puissance moteur
3	Type de moteur 2 = 230/460 60Hz, 3~ 3 = 208-230/460 60 Hz, 3~ 4 = 575 60Hz, 3~
Arbre moteur (sans moteur)	
38 / 56C-215C	∅ arbre moteur - taille lanterne NEMA

5.2 Données

Pression maximum d'utilisation	
Corps de pompe	230, 360 PSI; selon le modèle
Pression maximum à l'aspiration	145 PSI Note : la pression d'entrée réelle (Pentrée) + la pression à débit nul (P débit nul) doivent toujours être inférieures à la pression de service maxi autorisée (Pmax). En cas de dépassement de la pression de service maxi admissible, la garniture mécanique et le roulement peuvent être endommagés ou leurs durées de vie réduites. $P_{\text{entrée}} + P_{\text{débit nul}} \leq P_{\text{max pompe}}$ Se référer au placage pompe pour connaître la pression de service maximum : Pmax
Plage de température	
Température du fluide	-4°F à +248°F +5°F à +194°F (avec joint FKM)
Température ambiante	+5°F à +104 °F Autres températures sur demande
Données électriques	
Rendement moteur	Moteur conforme à la norme NEMA 12-12
Indice de protection moteur	IP 55
Classe d'isolation	F
Fréquence	60 Hz
Tension électrique	Voir placage moteur
Autres caractéristiques	
Humidité	< 90% (sans condensation)
Altitude	< 3,280 Ft. (> 3,280 Ft. sur demande)
Hauteur d'aspiration maxi	Suivant NPSH de la pompe
Niveau sonore dB(A) 0/+3 dB(A)	Puissance (HP)
	0,5 0,75 1 1,5 2 3 5 7,5 10 15 20 25 30 40 50 60
	60Hz 60 61 63 67 71 72 74 78 81 84

5.3 Etendue de la fourniture

- Pompe multicellulaire.
- Notices de mise en service.

5.4 Accessoires

Des accessoires d'origine sont disponibles pour la gamme HELIX :

Désignation	Article n°.
Kit (2x) contre-bridés 1-1/4" StS 304	2770484
Kit (2x) contre-bridés 2" StS 304	2770485
Kit (2x) contre-bridés 2,5" StS 304	2770486
Kit (2x) contre-bridés 2,5" StS 304	2770487
Kit by-pass 360 PSI	4146786
Kit by-pass (avec manomètre 360 PSI)	4146788
Chassis avec plots anti-vibratiles pour pompes jusqu'à 7.5 HP	4157154

L'utilisation d'accessoires neufs est recommandé.

6. Description et fonction

6.1 Description produit

FIG. 1

- 1 - Boulon de fixation moteur
- 2 - Protecteur d'accouplement
- 3 - Cartouche garniture mécanique
- 4 - Etages hydrauliques
- 5 - Roues
- 6 - Arbre pompe
- 7 - Moteur
- 8 - Accouplement
- 9 - Lanterne
- 10 - Tube chemise
- 11 - Bride
- 12 - Corps de pompe
- 13 - Semelle

FIG. 2 et 3

- 1 - Crépine
- 2 - Vanne à l'aspiration pompe
- 3 - Vanne au refoulement pompe
- 4 - Clapet anti-retour
- 5 - Bouchon vidange - amorçage
- 6 - Bouchon remplissage et purge d'air
- 7 - Réservoir
- 8 - Massif
- 10 - Crochet de levage

6.2 Caractéristiques produit

- HELIX V16 sont des pompes multicellulaires verticales, haute pression, non auto - amorçantes avec des connexions "in line".
- Les pompes HELIX associent une hydraulique et des moteurs haut rendement.
- Toutes les pièces métalliques en contact avec l'eau sont en acier inoxydable.
- Pour les modèles équipés des moteurs les plus lourds (> 88 lbs), un accouplement spécifique permet de changer la garniture sans démonter le moteur. Une garniture mécanique à cartouche est alors utilisée pour faciliter la maintenance.
- Un dispositif spécifique de levage est intégré à la pompe pour faciliter son installation (Fig. 7).

7. Installation et raccordement électrique

Conformément aux prescriptions en vigueur, l'installation et le raccordement électrique doit être assurée exclusivement par du personnel agréé.



AVERTISSEMENT ! Blessures corporelles !

La réglementation en vigueur régissant la prévention des accidents doit être respectée.



AVERTISSEMENT ! Risque de choc électrique !

Les dangers provoqués par l'énergie électrique doivent être écartés.

7.1 Réception du produit

Déballer la pompe et retraiter l'emballage en veillant au respect de l'environnement.

7.2 Installation

La pompe doit être installée dans un endroit sec, bien aéré et sans givre.



ATTENTION ! Risque et détérioration de la pompe !

La présence de corps étrangers ou d'impuretés dans le corps de pompe peut affecter le fonctionnement du produit.

- Il est recommandé que tout travail de soudure ou de brasure soit effectué avant l'installation de la pompe.
- Effectuer un rinçage complet du circuit avant d'installer et de mettre en service la pompe.
- La pompe doit être installée dans un endroit facilement accessible pour en faciliter l'inspection ou le remplacement.
- Pour les pompes dont la masse est importante, prévoir un crochet de levage (Fig. 2, rep. 10) dans l'axe de la pompe pour faciliter le démontage.



AVERTISSEMENT ! Risque d'accident dû à des surfaces chaudes !

La pompe doit être installée de telle façon que personne ne puisse toucher les surfaces chaudes du produit pendant son fonctionnement.

- Installer la pompe dans endroit sec, protégé contre le givre, sur une surface plate en ciment en utilisant les vis appropriées. Si possible, placer un matériau isolant sous le bloc béton (liège ou caoutchouc renforcé) afin d'éviter toute transmission de bruit ou vibration à l'installation.



AVERTISSEMENT ! Risque de chute !

La pompe doit être correctement fixée au sol.

- Placez la pompe dans un endroit aisément accessible afin de simplifier les travaux d'inspection et d'entretien. La pompe doit toujours être montée à la verticale sur un socle en béton.



ATTENTION ! Risque de pièces dans la pompe !

Prenez soin de retirer les obturateurs du corps de pompe avant l'installation.



REMARQUE : Chaque pompe pouvant être testée en usine pour vérifier ses performances hydrauliques, de l'eau peut rester dans le produit. Il est recommandé pour des raisons d'hygiène de rincer la pompe avant toute utilisation avec de l'eau potable.

- Les dimensions de montage et les côtes de raccordement sont reprises en § 5.2
- Soulever la pompe avec précaution en utilisant les anneaux intégrés, éventuellement au moyen d'un palan et d'élingues tout en respectant les consignes d'utilisation du palan.



AVERTISSEMENT ! Risque de chute !

Prenez soin à la préemption de la pompe, en particulier pour les modèles les plus hauts pour lesquels la position élevée du centre de gravité peut engendrer des risques lors de la manutention.



AVERTISSEMENT ! Risque de chute !

Utilisez les anneaux intégrés seulement si ceux-ci sont en bon état (pas de traces de corrosion ...). Remplacez-les en cas de besoin.



AVERTISSEMENT ! Risque de chute !

La pompe ne doit jamais être soulevée par les crochets du moteur : ceux-ci ne sont en effet conçus que pour supporter le moteur seul.

7.3 Raccordement au réseau

- Connecter la pompe aux tuyauteries en utilisant des contre-brides, vis, écrous, et joints appropriés.



ATTENTION !

Le serrage des écrous ne doit pas excéder.

230 PSI / 360 PSI
180 In. Lbs. / 260 In. Lbs.

L'usage de clé à choc est à proscrire.

- Le sens de circulation du fluide est indiqué sur l'étiquette d'identification du produit.
- Veillez à monter les tubulures d'aspiration et de refoulement de manière à n'exercer aucune contrainte sur la pompe. Les conduites doivent être fixées de façon à ce que la pompe ne supporte pas leur poids.
- Il est recommandé d'installer les vannes d'isolement côté aspiration et refoulement de la pompe.
- L'utilisation de manchettes anti-vibratoires permet d'atténuer le bruit et les vibrations de la pompe.
- La section de la tuyauterie doit être au moins égale au diamètre du corps de pompe à l'aspiration.
- Un clapet anti-retour peut être placé au refoulement afin de la protéger d'éventuel coup de bélier.
- En cas de raccordement direct au réseau public d'eau potable, la tubulure d'aspiration doit également être pourvue d'un clapet anti-retour et d'une vanne d'arrêt.
- En cas de raccordement indirect via un réservoir, la tubulure d'aspiration doit être équipée d'une crépine d'aspiration afin d'éviter que les impuretés n'aboutissent dans la pompe et d'un clapet anti-retour.

7.4 Installation du moteur sur pompe nue (livrée sans moteur)

- Retirer les protecteurs d'accouplement.



REMARQUE : Les protecteurs d'accouplement peuvent se retirer sans dévisser complètement les vis.

- Installer le moteur sur la pompe au moyen des vis (pour les tailles de lanternes NEMA – voir désignation produit) ou les écrous, boulons et systèmes de manutention fournis avec la pompe : vérifier la puissance et les dimensions du moteur dans le catalogue Wilo.



REMARQUE : En fonction des caractéristiques du fluide, la puissance moteur peut être à adapter. Contactez le service après-vente Wilo en cas de besoin.

- Refermer les protecteurs d'accouplement en reserrant toutes les vis fournies avec la pompe.

7.5 Raccordement électrique



AVERTISSEMENT ! Risque de choc électrique !

Il y a lieu d'exclure tous dangers liés à l'énergie électrique.

- Travaux électriques à faire réaliser uniquement par un électricien qualifié !
- Avant d'effectuer les raccordements électriques, la pompe doit être mise hors tension et protégée contre les redémarrages non autorisés.
- Pour garantir la sécurité d'installation et de fonctionnement, il est nécessaire de réaliser une mise à la terre correcte avec les bornes de terre de l'alimentation électrique.

- Vérifier que l'intensité nominale, la tension et la fréquence utilisés correspondent aux informations plaquées sur le moteur.
- La pompe doit être raccordée au réseau au moyen d'un câble solide équipé d'un connecteur mâle ou d'un interrupteur d'alimentation principal.
- Les moteurs triphasés doivent être connectés à un système de protection agréé. Le courant nominal de réglage doit correspondre à la valeur indiquée sur l'étiquette du moteur.
- Le câble de raccordement doit être placé de façon à ne jamais entrer en contact avec la canalisation principale et/ou le corps de pompe et la carcasse moteur.
- La pompe/installation doit être mise à la terre conformément aux réglementations locales. Un disjoncteur de fuite à la terre peut servir de protection supplémentaire.
- Le raccordement au réseau doit être conforme au plan de raccordement (Fig. 5).

7.6 Fonctionnement avec un convertisseur de fréquence

- Les moteurs électriques équipant les pompes peuvent être raccordés à un convertisseur de fréquence de façon à adapter la performance du produit au point de fonctionnement.
- Celui-ci ne devra pas générer aux bornes du moteur des pics de tension supérieurs à 850V et des variations dU/dt supérieures à 2500 V/µs.
- Dans le cas de valeurs supérieures, un filtre approprié doit être utilisé : contactez le fabricant du convertisseur pour la définition et sélection de ce filtre.
- Se conformer scrupuleusement à la notice du fabricant du convertisseur.
- La vitesse variable minimale ne doit pas descendre en dessous de 40% de la vitesse nominale de la pompe.

8. Mise en service

8.1 Remplissage et dégazage du système



ATTENTION ! Risque d'endommager la pompe !

Ne faites jamais fonctionner la pompe à sec.
Le système doit être rempli avant le démarrage de la pompe.

8.1.1 Evacuation de l'air – Pompe en charge (Fig. 3)

- Fermer les 2 vannes d'isolement (2, 3).
- Ouvrir le purgeur du bouchon de remplissage (6a).
- Ouvrir lentement la vanne à l'aspiration (2).
- Refermer le purgeur une fois que l'air est sorti et que le liquide s'écoule de la pompe (6a).



AVERTISSEMENT !

Quand le liquide pompé est chaud et la pression importante, le jet s'échappant du purgeur peut causer des brûlures ou d'autres blessures.

- Ouvrir complètement la vanne à l'aspiration (2).
- Démarrer la pompe et vérifier si le sens de rotation correspond à celui imprimé sur l'étiquette de la pompe. Si ce n'est pas le cas, il convient de permuter deux phases au bornier moteur.



ATTENTION !

Un mauvais sens de rotation provoquera de mauvaises performances et éventuellement un endommagement de l'accouplement.

- Ouvrir la vanne au refoulement.

8.1.2 Evacuation de l'air – Pompe en aspiration (voir Fig. 2)

- Fermer la vanne au refoulement (3). Ouvrir la vanne à l'aspiration (2).
- Retirer le bouchon de remplissage (6b).
- Ouvrir partiellement le bouchon d'amorçage/vidange (5b).
- Remplir la pompe et la tuyauterie d'aspiration avec de l'eau.
- Assurez-vous qu'il n'y a pas d'air ni dans la pompe, ni dans la tuyauterie à l'aspiration : le remplissage complet jusqu'à l'évacuation total de l'air est nécessaire.
- Fermer le bouchon de remplissage (6b).
- Démarrer la pompe et vérifier si le sens de rotation correspond à celui imprimé sur l'étiquette de la pompe. Si ce n'est pas le cas, il convient de permuter deux phases au bornier moteur.



ATTENTION !

Un mauvais sens de rotation provoquera de mauvaises performances et éventuellement un endommagement de l'accouplement.

- Ouvrir un peu la vanne au refoulement (3).
- Dévisser le purgeur pour garantir le dégazage (6a).
- Refermer le purgeur une fois que l'air est sorti et que le liquide s'écoule de la pompe.



AVERTISSEMENT !

Quand le liquide pompé est chaud et la pression importante, le jet s'échappant du purgeur peut causer des brûlures ou d'autres blessures.

- Ouvrir complètement la vanne au refoulement (3).
- Fermer le bouchon d'amorçage/vidange (5a).

8.2 Démarrage



ATTENTION !

La pompe ne doit pas fonctionner à débit nul (vanne de refoulement fermée).



AVERTISSEMENT ! Risque de blessure !

Quand la pompe fonctionne, les protecteurs d'accouplement doivent être en place, serrés par toutes les vis requises.



AVERTISSEMENT ! Bruit important !

Le niveau sonore des pompes les plus puissantes peuvent être très élevées : des protections doivent être utilisées en cas de travail prolongé près de la pompe.



AVERTISSEMENT !

L'installation doit être conçue de façon à ce que personne ne puisse être blessé en cas de fuite de liquide (défaillance de la garniture mécanique ...).

9. Maintenance – Service

Tous les travaux d'entretien doivent être effectués par du personnel autorisé et qualifié !



AVERTISSEMENT ! Risque de choc électrique !

Il y a lieu d'exclure tous dangers liés à l'énergie électrique. Avant d'effectuer les travaux électriques, la pompe doit être mise hors tension et protégée contre les redémarrages non autorisés.



AVERTISSEMENT ! Risque de blessure !

Si la température de l'eau et la pression du système sont élevées, fermez les vannes d'isolement en amont et en aval de la pompe. Dans un premier temps, laissez la pompe se refroidir.

- Aucun entretien particulier en cours de fonctionnement. Néanmoins un contrôle régulier est recommandé toutes les 15 000 heures.
- La garniture mécanique à cartouche peut être remplacée facilement grâce à son concept. Remettre la cale de réglage dans son logement (Fig. 6) une fois la garniture mécanique correctement positionnée.
- Maintenir la pompe en parfait état de propreté.
- Les pompes non utilisées durant les périodes de gel doivent être purgées afin d'éviter tout dommage: Fermer les vannes d'isolement, ouvrir complètement le bouchon d'amorçage/vidange et le purgeur.
- Durée de vie : 10 ans, suivant les conditions d'utilisation et le respect des exigences décrites dans la présente notice.

10. Pannes, causes et remèdes



AVERTISSEMENT ! Risque de choc électrique !

Il y a lieu d'exclure tous dangers liés à l'énergie électrique. Avant d'effectuer les travaux électriques, la pompe doit être mise hors tension et protégée contre les redémarrages non autorisés.



AVERTISSEMENT ! Risque de brûlure !

Si la température de l'eau et la pression du système sont élevées, fermez les vannes d'isolement en amont et en aval de la pompe. Dans un premier temps, laissez la pompe se refroidir.

Défauts	Causes	Remèdes
La pompe ne fonctionne pas	Pas d'alimentation de courant	Vérifier les fusibles, le câblage et les connexions
	Le dispositif de protection du moteur a assuré la mise hors tension	Éliminer toute surcharge du moteur
La pompe fonctionne mais n'atteint pas son point de fonctionnement	Mauvais sens de rotation	Vérifier le sens de rotation et le corriger si nécessaire
	Des éléments de la pompe sont obstrués par des corps étrangers	Vérifier et nettoyer la pompe
	Présence d'air dans la tubulure d'aspiration	Rendre étanche la tubulure d'aspiration
	Tubulure d'aspiration trop étroite	Installer une tubulure d'aspiration plus large
La vanne n'est pas assez ouverte	Ouvrir la vanne complètement	
La pompe débite de façon irrégulière	Présence d'air dans la pompe	Évacuer l'air de la pompe et assurez-vous que la tubulure d'aspiration est étanche. Eventuellement, démarrer la pompe 20-30s – Ouvrir le purgeur de façon à évacuer l'air – fermer le purgeur et répéter plusieurs fois jusqu'à ce que plus d'air ne sorte du purgeur
La pompe vibre ou est bruyante	Présence de corps étrangers dans la pompe	Retirer les corps étrangers
	La pompe n'est pas bien fixée au sol	Resserrer les vis d'ancrage
	Palier endommagé	Appeler le service après-vente Wilo
Le moteur surchauffe, la protection moteur s'enclenche	Une phase est interrompue	Vérifier les fusibles, le câblage, les connexions
	Température ambiante trop élevée	Assurer le refroidissement
La garniture mécanique fuit	La garniture mécanique est défectueuse	Remplacer la garniture mécanique

S'il n'est pas possible de remédier à la panne, veuillez faire appel au service après-vente Wilo.

11. Pièces de rechange

Toutes les pièces de rechange doivent être commandées directement auprès du service après-vente Wilo.

Afin d'éviter des erreurs, veuillez spécifier les données figurant sur la plaque signalétique de la pompe lors de toute commande.

La catalogue de pièces détachées est disponible à l'adresse : www.wilo.com.

12. Élimination

Une élimination réglementaire et un recyclage approprié de ce produit permettent de prévenir les dommages

causés à l'environnement et les risques pour la santé. Les lubrifiants devront être collectés. Les différents composants seront séparés selon leur catégories (métal, plastique, électronique).

1. Pour l'élimination du produit et des pièces, faire appel aux sociétés d'élimination de déchets, publiques ou privées.

2. Pour davantage d'informations sur l'élimination appropriée du produit, s'adresser à la municipalité, au service de collecte et de traitement des déchets ou au point de vente où le produit a été acheté.



NOTE : La pompe ne va pas dans les déchets ménagers ! Pour de plus amples informations sur le recyclage, consultez www.wilo-recycling.com.

Sous réserve de modifications technique !

1 Generalidades

1.1 Acerca de este documento

El idioma de las instrucciones de funcionamiento originales es el inglés. Las instrucciones en los restantes idiomas son una traducción de las instrucciones de funcionamiento originales.

Las instrucciones de instalación y funcionamiento forman parte del producto y, por lo tanto, deben estar disponibles cerca del mismo en todo momento. Es totalmente indispensable respetar estas instrucciones para poder hacer un correcto uso del producto de acuerdo con las normativas vigentes. Las instrucciones de instalación y funcionamiento se aplican al modelo actual del producto y a las versiones de las normativas técnicas de seguridad aplicables en el momento de su publicación.

2 Seguridad

Este manual contiene indicaciones básicas que deberán tenerse en cuenta durante la instalación y uso del aparato. Por este motivo, el instalador y el operador responsables deberán leerlo antes de montar y poner en marcha el aparato.

No sólo es preciso respetar las instrucciones generales de seguridad incluidas en este apartado, también se deben respetar las instrucciones especiales de los apartados siguientes que van precedidas por símbolos de peligro.

2.1 Identificación de los símbolos e indicaciones utilizados en este manual



Símbolo de peligro general



Peligro por tensión eléctrica



INDICACIÓN: ...

Palabras identificativas:

¡PELIGRO! Situación extremadamente peligrosa.

Si no se tienen en cuenta las instrucciones siguientes, se corre el peligro de sufrir lesiones graves o incluso la muerte.

¡ADVERTENCIA! El usuario podría sufrir lesiones que podrían incluso ser de cierta gravedad. "Advertencia" implica que es probable que se produzcan daños personales si no se respetan las indicaciones.

¡ATENCIÓN! Existe el riesgo de que la bomba o el sistema sufran daños.

"Atención" implica que el producto puede resultar dañado si no se respetan las indicaciones.

INDICACIÓN: Información de utilidad para el manejo del producto. También puede indicar la presencia de posibles problemas.

2.2 Cualificación del personal

El personal de montaje deberá estar debidamente cualificado para realizar las tareas asignadas.

2.3 Riesgos en caso de inobservancia de las instrucciones de seguridad

Si no se siguen las instrucciones de seguridad, podrían producirse lesiones personales, así como daños en la

bomba o el sistema. La no observación de dichas instrucciones puede anular cualquier derecho a reclamaciones por los daños sufridos.

Si no se siguen las instrucciones, se pueden producir, entre otros, los siguientes daños:

- Fallos en funciones importantes de la bomba o el sistema,
- Fallos en los procedimientos obligatorios de mantenimiento y reparación,
- Lesiones personales debidas a causas eléctricas, mecánicas o bacteriológicas,
- Daños materiales.

2.4 Instrucciones de seguridad para el operador

Deberán cumplirse las normativas vigentes de prevención de accidentes.

Es preciso evitar la posibilidad de que se produzcan peligros debidos a la energía eléctrica. Así pues, deberán respetarse las indicaciones de las normativas locales o generales (p. ej. IEC, UNE, etc.) y de las compañías eléctricas.

2.5 Instrucciones de seguridad para el operador

Este aparato no ha sido concebido para ser utilizado por personas (incluidos los niños) con capacidades físicas, sensoriales o mentales limitadas o que carezcan de la experiencia y/o el conocimiento para ello, a no ser que sean supervisadas por una persona responsable de su seguridad o reciban de ella las instrucciones acerca del manejo del aparato. Se debe supervisar a los niños para garantizar que no jueguen con el aparato.

- Si existen componentes fríos o calientes en el producto o la instalación que puedan resultar peligrosos, el propietario debe asegurarse de que están protegidos frente a cualquier contacto accidental.
- La protección contra contacto accidental de los componentes móviles (p. ej., el acoplamiento) no debe ser retirada del producto mientras este se encuentra en funcionamiento.
- Los escapes (p. ej., el sellado del eje) de fluidos peligrosos (p. ej., explosivos, tóxicos, calientes) deben evacuarse de forma que no supongan ningún daño para las personas o el medioambiente. En este sentido, deberán observarse las disposiciones nacionales vigentes.
- Los materiales altamente inflamables se mantendrán en todo momento a una distancia segura del producto.
- Es preciso descartar los peligros potenciales debidos a la corriente eléctrica. Así pues, deberán respetarse las indicaciones de las normativas locales o generales (p. ej. IEC, UNE, etc.) y de las compañías eléctricas.

2.6 Modificaciones del material y utilización de repuestos no autorizados

Sólo se permite modificar la bomba o el sistema con la aprobación con el fabricante. El uso de repuestos originales y accesorios autorizados por el fabricante garantiza la seguridad del producto. No se garantiza un funcionamiento correcto si se utilizan piezas de otro tipo.

2.7 Modos de utilización no permitidos

La fiabilidad de la bomba o el sistema suministrados sólo se puede garantizar si se respetan las instrucciones de uso del apartado 4 de este manual. Asimismo, los valores límite indicados en el catálogo u ficha técnica no deberán sobrepasarse por exceso ni por defecto.

2.8 Modos de utilización no permitidos

La fiabilidad del producto suministrado sólo se puede garantizar si se respetan las instrucciones de uso del apartado 4 de estas instrucciones. Asimismo, los valores límite indicados en el catálogo o ficha técnica no deberán sobrepasarse por exceso ni por defecto.

3. Transporte y almacenamiento

Compruebe inmediatamente al recibir el producto si se han producido daños durante el transporte. Si constata daños producidos durante el transporte, debe llevarse a cabo el proceso pertinente teniendo en cuenta los plazos previstos por la agencia de transportes.



¡ATENCIÓN! Los agentes externos pueden ser fuente de daños. Si el material va a ser montado posteriormente, almacénelo en un lugar seco. El producto debe estar protegido contra golpes/impactos y agentes externos (humedad, heladas, etc.).

El producto deberá limpiarse a fondo antes de su almacenamiento temporal. El producto puede almacenarse durante un año o más.

La bomba se debe manipular con cuidado para evitar dañar el producto antes de iniciar el montaje.

4. Aplicaciones

La bomba sirve básicamente para impulsar agua fría o caliente, mezclas agua-glicol u otros fluidos poco viscosos que no contengan aceites minerales, componentes sólidos o abrasivos ni materiales de fibra larga. La impulsión de sustancias químicas y corrosivas requiere la aprobación del fabricante.



¡PELIGRO! Peligro de explosión

Esta bomba nunca se debe utilizar para la impulsión de fluidos inflamables o explosivos.

4.1 Campos de aplicación

- Abastecimiento de agua y grupos de presión
- Sistemas de circulación industriales
- Agua de proceso
- Circuitos de agua de refrigeración
- Equipos contra incendios y túneles de lavado de vehículos
- Instalaciones de riego por aspersión y de riego, etc.

5. Especificaciones del producto

5.1 Códigos

Ejemplo: Helix V110-02/02-1/A3/E/KS/N/5/3	
Helix V	Bomba centrífuga de alta presión vertical en construcción Inline
110	Caudal nominal en US Gallons por minuto
02	Número de rodetes
2	Número de rodetes cortados (opcionale)
1	Código del material de la bomba 1 = Carcasa de la bomba de acero inoxidable 1.4301 (AISI 304) + Sistema hidráulico 1.4307 (AISI 304) 2 = Carcasa de la bomba de acero inoxidable 1.4409 (AISI 316L) + Sistema hidráulico 1.4404 (AISI 316L)
A3	Tipo de bridas A3 = bridas ANSI 300lb Opcionale y disponible bajo consulta: O = bridas con contrabridas herma NPT o P = conexión Victaulic
E	Código del tipo de junta E = EPDM V = FKM
K	K = Cartucho con simple cierre mecánico 80 = Cartucho con cierre mecánico - EPDM A0 = Cartucho con cierre mecánico - FKM
S	Linterna orientada en línea con la tubería de aspiración y de descarga
N	Presión (cierre mecánico) N = 230 PSI (16 BAR) H = 360 PSI (25 BAR)
5	Potencia motor
3	Tipo de motor 2 = 230/460 60Hz, 3~ 3 = 208-230/460 60 Hz, 3~ 4 = 575 60Hz, 3~
Eje motor (sin motor)	
38 / 56C-215C	∅ Eje motor - tamaño de la linterna NEMA

5.2 Datos técnicos

Presión de trabajo máxima																	
Cuerpo de la bomba	230, 360 PSI; dependiendo del modelo																
Presión de alimentación máxima	145 PSI Indicación: presión de entrada real (entrada de P) + la presión con caudal 0 suministrada por la bomba debe estar por debajo de la presión de trabajo máxima de la bomba. En caso de superar la presión de trabajo máxima, el cojinete de bolas y el cierre mecánico podrían dañarse y la vida útil podría verse reducida. Entrada de P + P con caudal $0 \leq P$ máx. de la bomba Consulte las placas de características de la bomba para descubrir la presión de trabajo máxima: P máx																
Rango de temperaturas																	
Temperaturas del líquido	-4°F a +248°F +5°F a +194°F (con junta FKM)																
Temperatura ambiente	+5°F a +104 °F Otras temperaturas bajo consulta																
Datos eléctricos																	
Rendimiento del motor	Motor según NEMA 12-12 Rule																
Índice de protección de motor	IP 55																
Clase de aislamiento	F																
Frecuencia	60 Hz																
Tensión eléctrica	Consulte la placa de características del motor																
Otros datos																	
Humedad	< 90% (sin condensación)																
Altitud	< 3,280 Ft. (> 3,280 Ft. bajo consulta)																
Altura de aspiración máxima	según NPSH de la bomba																
Nivel de presión sonora dB(A) 0/+3 dB(A)		Potencia (HP)															
		0,5	0,75	1	1,5	2	3	5	7,5	10	15	20	25	30	40	50	60
	60Hz	60	61	63	67	71	72	74	78	81	84						

5.3 Suministro

- Bomba.
- Instrucciones de instalación y funcionamiento.

5.4 Accesorios

Están disponibles los siguientes accesorios originales de la serie HELIX:

designación	Article n°.
Juego (2x) contrabridas 1-1/4" StS 304	2770484
Juego (2x) contrabridas 2" StS 304	2770485
Juego (2x) contrabridas 2,5" StS 304	2770486
Juego (2x) contrabridas 2,5" StS 304	2770487
Juego de bypass 360 PSI	4146786
Juego de bypass (avec manomètre 360 PSI)	4146788
Placa base con amortiguadores para bombas de hasta 7.5 HP	4157154

Se recomienda utilizar accesorios nuevos.

6. Descripción y funcionamiento

6.1 Descripción del producto

Fig. 1

- 1 - Bulón de fijación del motor
- 2 - Protección del acoplamiento
- 3 - Cierre mecánico de cartucho no rellenable
- 4 - Etapas
- 5 - Rodetes
- 6 - Eje de bomba
- 7 - Motor
- 8 - Acoplamiento
- 9 - Linterna
- 10 - Tubo de la camisa
- 11 - Brida
- 12 - Carcasa de la bomba
- 13 - Placa base

Fig. 2 y 3

- 1 - Filtro de aspiración
- 2 - Válvula de cierre, lado de aspiración
- 3 - Válvula de cierre, lado de impulsión
- 4 - Válvula antirretorno
- 5 - Tornillo de vaciado
- 6 - Tornillo de purga
- 7 - Depósito de expansión de membrana
- 8 - Zócalo
- 10 - Gancho de suspensión

6.2 Funciones del producto

- Las bombas HELIX son bombas centrífugas de alta presión verticales y de aspiración normal con conexiones «Inline».
- Las bombas HELIX poseen un sistema hidráulico y motores de alta eficiencia.
- Todas las piezas en contacto con el fluido son de acero inoxidable o fundición gris.
- Un acoplamiento con espaciador especial también permite cambiar el cierre mecánico en los motores pesados (> 88 lbs), sin tener que desmontar el motor. En su lugar se utiliza un cierre mecánico con cartuchos de fácil mantenimiento.
- El dispositivo de elevación especial e integrado en la bomba simplifica las labores de instalación (Fig. 7).

7. Instalación y conexión eléctrica

Únicamente el personal técnico y cualificado conforme a la normativa local está autorizado para llevar a cabo las tareas eléctricas y de instalación.



¡ADVERTENCIA! Peligro de lesiones

Deberá observarse la normativa vigente en materia de prevención de accidentes.



¡ADVERTENCIA! Peligro por tensión eléctrica

Deberán evitarse los riesgos debidos a la tensión eléctrica.

7.1 Aceptación

Desembale la bomba y deseche el material de embalaje conforme a la normativa medioambiental.

7.2 Instalación

La bomba se debe instalar en un lugar seco, bien ventilado y sin riesgo de sufrir heladas.



¡ATENCIÓN! Daños y desgaste en la bomba Los cuerpos extraños y las impurezas en el interior de la carcasa de la bomba pueden afectar el funcionamiento del producto.

- Se recomienda efectuar todas las tareas de soldadura antes de iniciar la instalación de la bomba.
- Antes de instalar y poner la bomba en marcha, enjuague todo el circuito.

- La bomba se debe instalar en un lugar de fácil acceso para simplificar las tareas de inspección y reposición.
- Para simplificar el desmontaje de bombas pesadas, coloque un gancho de suspensión sobre la bomba (Fig. 2, pos. 10).



¡ADVERTENCIA! Peligro de quemaduras debido a las superficies calientes

La bomba se debe instalar de tal modo que nadie pueda entrar en contacto con las superficies calientes durante el funcionamiento.

- Instale la bomba en un lugar seco, protegido contra heladas y, siempre que sea posible, sobre una superficie de cemento. Fije la bomba con los tornillos incluidos. Monte el material aislante y el bloque de hormigón (corcho o caucho reforzados) para evitar la transmisión de ruido o vibraciones a la instalación.



¡ADVERTENCIA! Peligro de que la bomba vuelque

La bomba debe estar anclada en el suelo.

- Instale la bomba en un lugar de fácil acceso para simplificar las labores de inspección y mantenimiento. La bomba siempre se debe instalar en vertical sobre un zócalo de hormigón.



¡ATENCIÓN! Peligro por impurezas en la bomba

Asegúrese de retirar los cierres de la carcasa de la bomba antes de iniciar la instalación.



INDICACIÓN: la potencia de todas las bombas se comprueba de fábrica y, por este motivo, es posible que en la bomba aún queden restos de agua. Por motivos de higiene se recomienda enjuagar la bomba con agua potable antes de cada aplicación.

- Consulte las dimensiones de instalación y los lados de conexión en el apartado 5.2.
- Levante la bomba con cuidado utilizando las anillas integradas. Dado el caso, utilice también un polipasto y un arriostamiento del cable, según las instrucciones suministradas junto con el cable Bowden.



¡ADVERTENCIA! Peligro de que la bomba vuelque

Al adquirir una bomba, en especial, las ejecuciones de gran tamaño, tenga presente que un punto de gravedad elevado implica riesgos durante el funcionamiento de la bomba.



¡ADVERTENCIA! Peligro de que la bomba vuelque

Utilizar los anillos integrados solamente si éstos están en buen estado (sin corrosión...). sustituirlos en caso necesario..



¡ADVERTENCIA! Peligro de que la bomba vuelque

La bomba nunca se debe levantar por los ganchos del motor: los ganchos se han diseñado exclusivamente para soportar el peso del motor.

7.3 Conexión al sistema de tuberías

- Conecte la bomba a las tuberías utilizando las contrabridas, los pernos, las tuercas y las juntas adecuadas.

230 PSI / 360 PSI
180 In. Lbs. / 260 In. Lbs.



¡ADVERTENCIA! No apriete los tornillos y pernos con valores superiores a los de la siguiente tabla. Está prohibido utilizar destornilladores con batería.

- El sentido de flujo del fluido se indica en la placa de características del producto.
- Durante el montaje de las bocas de aspiración e impulsión, asegúrese de no ejercer tensión sobre la bomba. Los conductos deben fijarse de tal modo que la bomba no soporte el peso de los mismos.
- Se recomienda instalar la llave de corte en los lados de aspiración e impulsión de la bomba.
- El uso de compensadores permite amortiguar los ruidos y las vibraciones que genera la bomba.
- El diámetro de la tubería deberá ser, como mínimo, igual de grande que el diámetro de la apertura de aspiración en la bomba.
- En el lado de impulsión se puede montar una válvula antirretorno para proteger a la bomba contra los golpes de ariete.
- Si la bomba se conecta directamente a la red pública de agua potable, la boca de aspiración también se debe equipar con una válvula antirretorno y una llave de corte.
- Si la bomba se conecta de forma indirecta mediante un depósito de expansión de membrana, la boca de aspiración se debe equipar con un filtro de aspiración para evitar que las impurezas penetren en la bomba y en la válvula antirretorno.

7.4 Instalación del motor en la bomba (suministro sin motor)

- Retire la protección del acoplamiento.



INDICACIÓN: la protección del acoplamiento se puede quitar sin soltar los tornillos por completo.

- Monte el motor en la bomba con los tornillos (en las linternas del tamaño NEMA – véase la identificación del producto) o las tuercas, los bulones y los medios auxiliares suministrados junto con la bomba: la potencia y las dimensiones del motor se pueden consultar en el catálogo de Wilo.



INDICACIÓN: la potencia del motor se puede adaptar conforme a las características del fluido. Si precisa asistencia, póngase en contacto con el servicio técnico de WILO.

- Cierre la protección del acoplamiento utilizando todos los tornillos suministrados junto con la bomba.

7.5 Conexión eléctrica



¡ADVERTENCIA! Peligro por tensión eléctrica

Deberán descartarse los peligros debidos a la tensión eléctrica.

- Únicamente un técnico electricista está autorizado para llevar a cabo las tareas eléctricas.
- Las conexiones eléctricas sólo deben establecerse si se ha desconectado el suministro de corriente y si se ha protegido éste frente a posibles conexiones no autorizadas.
- La bomba/instalación deben estar conectadas a tierra conforme a la normativa local. El uso de un interruptor diferencial proporciona protección adicional.
- Asegúrese de que la intensidad nominal, la tensión y la frecuencia coincidan con las indicaciones de la placa de características del motor.
- La bomba se debe conectar a la red mediante un cable que disponga de un enchufe o de un interruptor de alimentación principal.
- Los motores trifásicos se deben equipar con un guardamotor autorizado (operación a cargo del propietario). La intensidad nominal debe coincidir con el valor indicado en la placa de características del motor.
- El cable de conexión se debe tender de modo que nunca pueda entrar en contacto con el sistema de tuberías y/o la carcasa de la bomba ni la carcasa del motor.
- La conexión a la red se debe efectuar según el esquema de conexiones (Fig. 5).

7.6 Funcionamiento con convertidor de frecuencia

- Los motores integrados en las bombas se pueden conectar a un convertidor de frecuencia para dirigir la potencia de la bomba hacia el punto de funcionamiento.
- El convertidor no debe generar saltos de tensión superiores a los 850 V ni cambios de tensión dU/dt que excedan los 2.500 V/µs en los bornes del motor.
- Si se generan valores superiores, es preciso utilizar un filtro adecuado: solicite asesoramiento sobre la correcta elección del filtro al fabricante del convertidor de frecuencia.
- Las instrucciones del fabricante del convertidor de frecuencia se deben seguir estrictamente.
- La velocidad mínima variable no puede quedar por debajo del 40% de la velocidad nominal de la bomba.

8. Puesta en marcha

8.1 Llenado y ventilación de la instalación



¡ATENCIÓN! Peligro de daños en la bomba

La bomba nunca debe marchar en seco. La instalación se debe rellenar antes de conectar la bomba.

8.1.1 Ventilación: impulsión (fig. 3)

- Cierre la dos válvulas de cierre (2, 3).
- Abra el tornillo de purga (6a).
- Abra lentamente la válvula de cierre en el lado de aspiración (2).
- Cierre el tornillo de purga cuando se haya evacuado el aire y el líquido salga de la bomba (6a).



¡ADVERTENCIA!

Existe peligro de quemaduras u otras lesiones, ya que del grifo de purga sale un chorro de agua cuando el líquido impulsado está caliente y la presión es elevada.

- Abra por completo la válvula de cierre en el lado de aspiración (2).
- Ponga la bomba en funcionamiento y asegúrese de que el sentido de giro coincide con las indicaciones de la placa de características de la bomba. Si no es el caso, intercambie dos fases en la caja de bornes.



¡ATENCIÓN!

Un sentido de giro incorrecto comporta una potencia inadecuada de la bomba y es probable que acabe dañando el acoplamiento.

- Abra la válvula de cierre en el lado de impulsión.

8.1.2 Ventilación: aspiración (véase la fig. 2)

- Cierre la válvula de cierre en el lado de impulsión (3). Abra la válvula de cierre en el lado de aspiración (2).
- Quite el tornillo de purga (6b).
- Abra el tornillo de vaciado parcialmente (5b).
- Rellene la bomba y la tubería de aspiración con agua.
- Asegúrese de que en la bomba y en la tubería de aspiración no haya aire: por este motivo es necesario que el llenado no se realice hasta que la ventilación haya concluido.
- Cierre el tornillo de purga (6b).
- Ponga la bomba en funcionamiento y asegúrese de que el sentido de giro coincide con las indicaciones de la placa de características de la bomba. Si no es el caso, intercambie dos fases en la caja de bornes.



¡ATENCIÓN!

Un sentido de giro incorrecto comporta una potencia inadecuada de la bomba y es probable que acabe dañando el acoplamiento.

- Abra parcialmente la válvula de cierre en el lado de impulsión (3).
- Abra el tornillo de purga para garantizar una ventilación completa (6a).
- Cierre el tornillo de purga cuando se haya evacuado el aire y el líquido salga de la bomba.



¡ADVERTENCIA!

Existe peligro de quemaduras y otras lesiones, ya que del grifo de purga sale un chorro de agua cuando el líquido impulsado está caliente y la presión es elevada.

- Abra por completo la válvula de cierre en el lado de impulsión (3).
- Cierre el tornillo de vaciado (5a).

8.2 Puesta en marcha



¡ATENCIÓN!

La bomba no debe funcionar con un caudal igual a cero (válvula de cierre cerrada en el lado de impulsión).



¡ADVERTENCIA! Peligro de lesiones

Cuando la bomba está en funcionamiento, es imprescindible que la protección del acoplamiento esté colocada y que todos los tornillos necesarios se hayan atornillado.



¡ADVERTENCIA! Elevado nivel sonoro

El nivel sonoro de las bombas más potentes puede ser bastante elevado: si se trabaja durante períodos prolongados cerca de la bomba es preciso tomar las medidas de protección adecuadas.



¡ADVERTENCIA!

La instalación debe estar diseñada de modo que nadie pueda resultar dañado en caso de un escape de líquido (fallo del cierre mecánico, etc.).

9. Mantenimiento y conservación

Únicamente el personal técnico autorizado y debidamente cualificado puede llevar a cabo las tareas de mantenimiento.



¡ADVERTENCIA! Peligro por tensión eléctrica

Deberán descartarse los peligros debidos a la tensión eléctrica.

Antes de iniciar las tareas eléctricas, la bomba se debe ajustar en la posición sin tensión, así como bloquear para evitar una reconexión involuntaria.



¡ADVERTENCIA! Peligro de lesiones

Si la temperatura del agua y la presión del sistema son elevadas, cierre la válvula de cierre en los lados de impulsión y aspiración. Ante todo, deje que la bomba se enfríe.

- Estas bombas necesitan poco mantenimiento. Sin embargo, se recomienda realizar un control regular cada 15 000 horas de funcionamiento.
- En algunos modelos, el cierre mecánico se puede sustituir fácilmente gracias a su diseño de tipo junta de cartucho. Inserte la cuña de ajuste en la carcasa (Fig. 6) cuando el cierre mecánico esté ajustado.
- Mantenga la bomba limpia.
- Las bombas paradas se deben enjuagar en los períodos de heladas para evitar la aparición de daños: cierre la válvula de cierre y abra por completo el tornillo de purga y el tornillo de vaciado.
- Vida útil: 10 años dependiendo de las condiciones de funcionamiento y de si se cumplen todos los requisitos descritos en el manual de funcionamiento.

10. Averías, causas y solución



¡ADVERTENCIA! Peligro por tensión eléctrica

Deberán descartarse los peligros debidos a la tensión eléctrica.

Antes de iniciar las tareas eléctricas, la bomba se debe ajustar en la posición sin tensión, así como bloquear para evitar una reconexión involuntaria.



¡ADVERTENCIA! Peligro de quemaduras

Si la temperatura del agua y la presión del sistema son elevadas, cierre las válvulas de cierre en los lados de aspiración e impulsión de la bomba. Ante todo, deje que la bomba se enfríe.

Avería	Causa	Solución
La bomba no funciona.	No hay suministro de corriente.	Compruebe los fusibles, los cables y las conexiones.
	El guardamotor se ha activado.	Elimine la sobrecarga del motor.
La bomba funciona, pero no alcanza su punto de funcionamiento.	El sentido de giro es incorrecto.	Compruebe el sentido de giro y, si fuera necesario, corríjalo.
	Los componentes de la bomba están bloqueados por cuerpos extraños.	Compruebe y limpie la bomba y el conducto.
	La tubería de aspiración tiene aire.	Selle la tubería de aspiración.
	La tubería de aspiración es demasiado estrecha.	Instale una tubería de aspiración más grande.
	La válvula de cierre no está lo suficientemente abierta.	Abra suficientemente la válvula de cierre.
La bomba no impulsa de un modo uniforme.	La bomba tiene aire.	Ventile la bomba y asegúrese de que la tubería de aspiración sea estanca. Ponga la bomba en funcionamiento durante 20-30 s. Abra el tornillo de purga para que el aire pueda salir. Cierre el tornillo de purga y repita la operación hasta que ya no salga más aire del tornillo de purga.
La bomba vibra o hace demasiado ruido.	La bomba tiene cuerpos extraños.	Elimine los cuerpos extraños.
	La bomba no está anclada correctamente al suelo.	Apriete los tornillos de anclaje.
	El cojinete está dañado.	Póngase en contacto con el servicio técnico de Wilo.
El motor se sobrecalienta, la protección del motor se activa.	Una fase está interrumpida.	Compruebe los fusibles, los cables y las conexiones.
	La temperatura ambiente es demasiado alta.	Proporcione medios de refrigeración.
El cierre mecánico no es estanco.	El cierre mecánico está dañado.	Reemplace el cierre mecánico.

Si no fuera posible resolver la avería, póngase en contacto con el servicio técnico de Wilo.

11. Repuestos

Todos los repuestos se deben solicitar directamente al servicio técnico de WILO.

Para evitar consultas y errores en los pedidos es preciso especificar en cada pedido todos los datos que figuran en la placa de características.

El catálogo de repuestos está disponible en el sitio Web: www.wilo.com

12. Eliminación

La correcta eliminación y el reciclado de este producto evita daños en el medioambiente y posibles peligros para la salud.

Para eliminar el producto de conformidad con las norma-

tivas, debe estar drenado y limpio.

Los lubricantes deben recogerse correctamente. Los componentes de la bomba deben separarse en función del material (metal, plástico, electrónica).

1. Encargar la eliminación del producto completo o de sus componentes a las empresas públicas o privadas responsables de la eliminación de residuos.

2. Para obtener más información sobre la correcta eliminación, contactar con el concejo municipal, la oficina responsable del tratamiento de residuos o el distribuidor del producto.



INDICACIÓN: La bomba no debe eliminarse junto con la basura doméstica. Encontrará más información sobre el reciclaje en www.wilo-recycling.com

Queda reservado el derecho a realizar modificaciones técnicas!

Wilo – International (Subsidiaries)

Argentina

WILO SALMSON
Argentina S.A.
C1295ABI Ciudad
Autónoma de Buenos Aires
T +54 11 4361 5929
matias.monea@wilo.com.ar

Australia

WILO Australia Pty Limited
Murrarie, Queensland, 4172
T +61 7 3907 6900
chris.dayton@wilo.com.au

Austria

WILO Pumpen Österreich
GmbH
2351 Wiener Neudorf
T +43 507 507-0
office@wilo.at

Azerbaijan

WILO Caspian LLC
1065 Baku
T +994 12 5962372
info@wilo.az

Belarus

WILO Bel IOOO
220035 Minsk
T +375 17 3963446
wilo@wilo.by

Belgium

WILO NV/SA
1083 Ganshoren
T +32 2 4823333
info@wilo.be

Bulgaria

WILO Bulgaria EOOD
1125 Sofia
T +359 2 9701970
info@wilo.bg

Brazil

WILO Comercio e
Importacao Ltda
Jundiaí – São Paulo – Brasil
13.213-105
T +55 11 2923 9456
wilo@wilo-brasil.com.br

Canada

WILO Canada Inc.
Calgary, Alberta T2A 5L7
T +1 403 2769456
info@wilo-canada.com

China

WILO China Ltd.
101300 Beijing
T +86 10 58041888
wiloobj@wilo.com.cn

Croatia

WILO Hrvatska d.o.o.
10430 Samobor
T +38 51 3430914
wilo-hrvatska@wilo.hr

Cuba

WILO SE
Oficina Comercial
Edificio Simona Apto 105
Siboney. La Habana. Cuba
T +53 5 2795135
T +53 7 272 2330
raul.rodriguez@wilo-cuba.com

Czech Republic

WILO CS, s.r.o.
25101 Cestlice
T +420 234 098711
info@wilo.cz

Denmark

WILO Nordic
Drejergangen 9
DK-2690 Karlslunde
T +45 70 253 312
wilo@wilo.dk

Estonia

WILO Eesti OÜ
12618 Tallinn
T +372 6 509780
info@wilo.ee

Finland

WILO Nordic
Tillinmäentie 1 A
FIN-02330 Espoo
T +358 207 401 540
wilo@wilo.fi

France

Wilo Salmson France S.A.S.
53005 Laval Cedex
T +33 2435 95400
info@wilo.fr

United Kingdom

WILO (U.K.) Ltd.
Burton Upon Trent
DE14 2WJ
T +44 1283 523000
sales@wilo.co.uk

Greece

WILO Hellas SA
4569 Anixi (Attika)
T +302 10 6248300
wilo.info@wilo.gr

Hungary

WILO Magyarország Kft
2045 Törökbálint
(Budapest)
T +36 23 889500
wilo@wilo.hu

India

Wilo Mather and Platt Pumps
Private Limited
Pune 411019
T +91 20 27442100
services@matherplatt.com

Indonesia

PT. WILO Pumps Indonesia
Jakarta Timur, 13950
T +62 21 7247676
citrawilo@cbn.net.id

Ireland

WILO Ireland
Limerick
T +353 61 227566
sales@wilo.ie

Italy

WILO Italia s.r.l.
Via Novegro, 1/A20090
Segrate MI
T +39 25538351
wilo.italia@wilo.it

Kazakhstan

WILO Central Asia
050002 Almaty
T +7 727 312 40 10
info@wilo.kz

Korea

WILO Pumps Ltd.
20 Gangseo, Busan
T +82 51 950 8000
wilo@wilo.co.kr

Latvia

WILO Baltic SIA
1019 Riga
T +371 6714-5229
info@wilo.lv

Lebanon

WILO LEBANON SARL
Jdeideh 1202 2030
Lebanon
T +961 1 888910
info@wilo.com.lb

Lithuania

WILO Lietuva UAB
03202 Vilnius
T +370 5 2136495
mail@wilo.lt

Morocco

WILO Maroc SARL
20250 Casablanca
T +212 (0) 5 22 66 09 24
contact@wilo.ma

The Netherlands

WILO Nederland B.V.
1551 NA Westzaan
T +31 88 9456 000
info@wilo.nl

Norway

WILO Nordic
Alf Bjerckes vei 20
NO-0582 Oslo
T +47 22 80 45 70
wilo@wilo.no

Poland

WILO Polska Sp. z o.o.
5-506 Lesznowola
T +48 22 7026161
wilo@wilo.pl

Portugal

Bombas Wilo-Salmson
Sistemas Hidraulicos Lda.
4475-330 Maia
T +351 22 2080350
bombas@wilo.pt

Romania

WILO Romania s.r.l.
077040 Com. Chiajna
Jud. Ilfov
T +40 21 3170164
wilo@wilo.ro

Russia

WILO Rus ooo
123592Moscow
T +7 496 514 6110
wilo@wilo.ru

Saudi Arabia

WILO Middle East KSA
Riyadh 11465
T +966 1 4624430
wshoula@watanaiind.com

Serbia and Montenegro

WILO Beograd d.o.o.
11000 Beograd
T +381 11 2851278
office@wilo.rs

Slovakia

WILO CS s.r.o., org. Zložka
83106 Bratislava
T +421 2 33014511
info@wilo.sk

Slovenia

WILO Adriatic d.o.o.
1000 Ljubljana
T +386 1 5838130
wilo.adriatic@wilo.si

South Africa

Wilo Pumps SA Pty LTD
Sandton
T +27 11 6082780
gavin.bruggen.wilo.co.za

Spain

WILO Ibérica S.A.
28806 Alcalá de Henares
(Madrid)
T +34 91 8797100
wilo.iberica@wilo.es

Sweden

WILO NORDIC
Isbjörnsvägen 6
SE-352 45 Växjö
T +46 470 72 76 00
wilo@wilo.se

Switzerland

Wilo Schweiz AG
4310 Rheinfelden
T +41 61 836 80 20
info@wilo.ch

Taiwan

WILO Taiwan CO., Ltd.
24159 New Taipei City
T +886 2 2999 8676
nelson.wu@wilo.com.tw

Turkey

WILO Pompa Sistemleri
San. ve Tic. A.Ş.
34956 İstanbul
T +90 216 2509400
wilo@wilo.com.tr

Ukraine

WILO Ukraine t.o.w.
08130 Kiev
T +38 044 3937384
wilo@wilo.ua

United Arab Emirates

WILO Middle East FZE
Jebel Ali Free zone – South
PO Box 262720 Dubai
T +971 4 880 91 77
info@wilo.ae

USA

WILO USA LLC
Rosemont, IL 60018
T +1 866 945 6872
info@wilo-usa.com

Vietnam

WILO Vietnam Co Ltd.
Ho Chi Minh City, Vietnam
T +84 8 38109975
nkminh@wilo.vn

wilo

WILO USA LLC
9550 W. Higgins Rd. #300
Rosemont, IL 60018 USA
P (888) 945-68-72
F (888) 945-68-73

WILO Canada Inc.
Bay 8 - 925
30th Street N.E. Calgary,
Alberta, T2A 5L7 CANADA
P (403) 276-9456
F (403) 277-9456

Pioneering for You