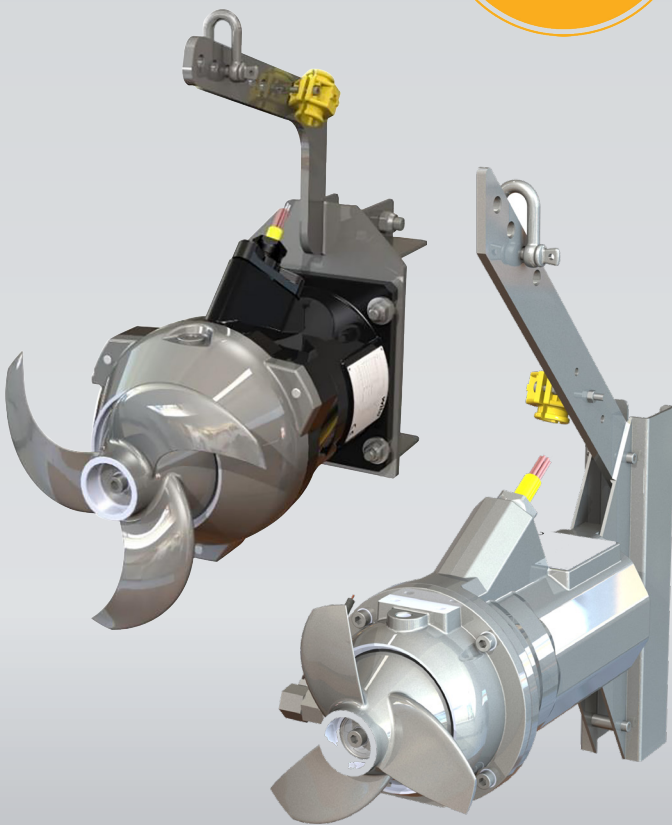


Product information

Wilo-Flumen EXCEL and Wilo-Flumen OPTI

Effectively reduces solids settling and floatables build up in tanks, pump stations and retention basins



High-speed submersible mixers.

Make the most of tight spaces.



Wilo's unique highly efficient and industry leading low power use hydrofoil propeller design potentially eliminates clogging due to a backswept design with blunt edges that allow highly fibrous material to pass. Hub is designed with an integral spiral pump out groove to defeat solids approaching the output seal area. This highly efficient hydraulic design eliminates any need for flow straitening devices that serve as rag and fiber catchers.

Maximum performance in minimum space.

To prevent pump clogging and solids build-up from rags, fats, oils, and grease, in pump station operations, consider using a highly efficient Wilo submersible mixer. The Wilo Flumen direct-drive mixer products are compact, easy to install, and build specifically for tight spaces and small/narrow basins. Additionally, retrofitting in existing mixer applications is a breeze! Wilo submersible mixers can be installed on a standard guide rail system, suspended from the pump station ceiling, or mounted on the floor with a base plate.

Application

The Wilo Flumen premium mixers easily blend contaminated fluids; high-viscosity liquids, and liquids with fibrous material. Simple, low cost and straightforward service routines make Wilo compact mixers the most efficient and low power use choice for a broad range of mixing applications such as:

- Paper pulp chests
- Sludge Holding Tanks
- Sludge Mixing
- Sedimentation Tanks
- Equalization tanks
- Quenching tanks Activated sludge treatment
- Batch Reactor
- Homogenization

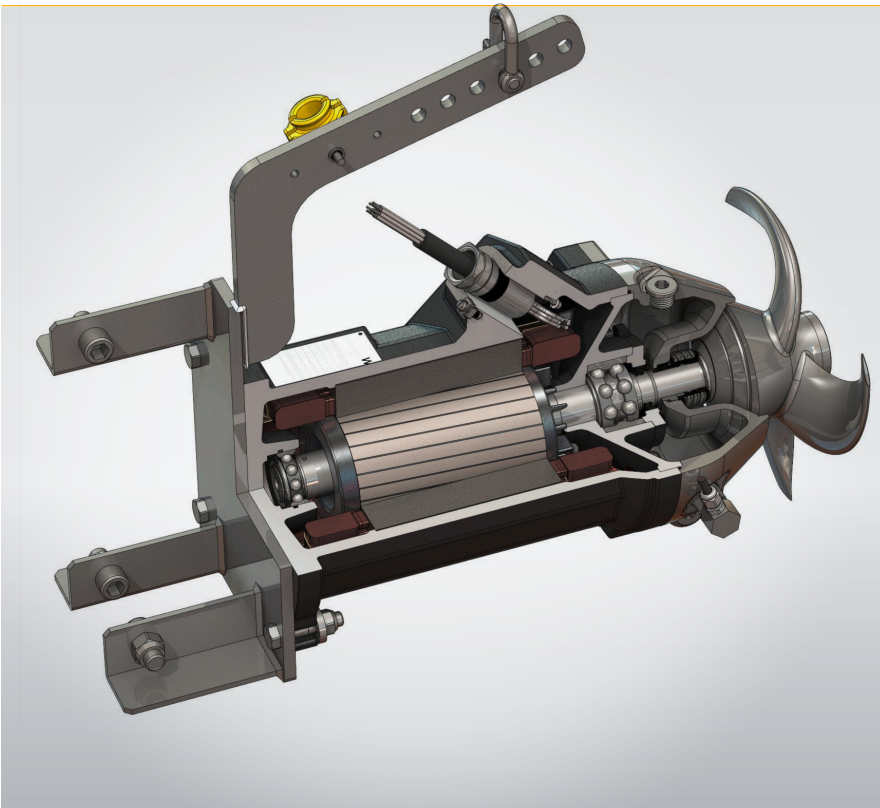
Wilo submersible mixers are certified for explosive atmospheres according to FM standard.

Maximum Performance, Minimum Footprint.

Direct-drive Wilo submersible mixer made from cast iron and precision-cast stainless steel propeller.

Features & Benefits:

- Non wicking cable entry design for all cabling
- Uniquely designed hydrofoil propeller design significantly reduces any solids build up and is the most efficient hydraulic performance available.
- Use of investment cast stainless steel propellers eliminate need for flow straightening shrouds to correct poor hydraulic performance design of welded or flat plate prop designs.
- A wide range of possible uses in diverse applications, even at high-interval running times.
- Reduction of the energy and operating costs due to the standard use of IE3 motors (TRE models) for the best possible thrust coefficient.
- Intermittent or continuous operation scenarios provide ultimate flexibility



Technical data for Wilo high-speed submersible mixers



TR 20-1



TRE 20



TR 28-1



TR 30-1



TRE 30



TR 40-1

Propeller

	TR 20-1	TRE 20	TR 28-1	TR 30-1	TRE 30	TR 40-1
Nominal diameter (inch)	7.9	7.9	9.25	11.8	11.8	15.7
Rated speed (rpm)	1650	1734	1658	840/1080/1690	1167	828/1110
Number of blades	3	3	2	3	3	3
Material	AISI 316	AISI 316	AISI 316	AISI 316	AISI 316	AISI 316
Seal Material	SC/SC	SC/SC	SC/SC	SC/SC	SC/SC	SC/SC

Motor data

Operating mode	Continuous duty (S1)					
Fluid temperature (°F)	37-104					
Premium efficiency motors (IE3)*	-	Standard	-	-	Standard	-
Insulation	Class H standard					
Explosion Proof Design	Yes (FM)					
Monitoring	Thermal OL Moisture Sensing					
Inverter Duty	Standard					

*Based on IEC 60034-30.

- = not available



www.wilo-usa.com



Wilo's long knowledge and experience in submersible mixer application is always available to support you system operation whether is be a sump or wet well solids suspension of complete process. Wilo trains and supports an Authorized Service Center network throughout North America that can serve your local needs if they may occur. Original OEM parts and procedure will be used in any repair to assure you receive the quality of the Wilo product.

WILO USA LLC.
+1 262-204-6600
www.wilo-usa.com
info.us@wilo.com

WILO Canada Inc.
+1 403-276-9456
www.wilo-canada.com
info@wilo-canada.com

Pioneering for You