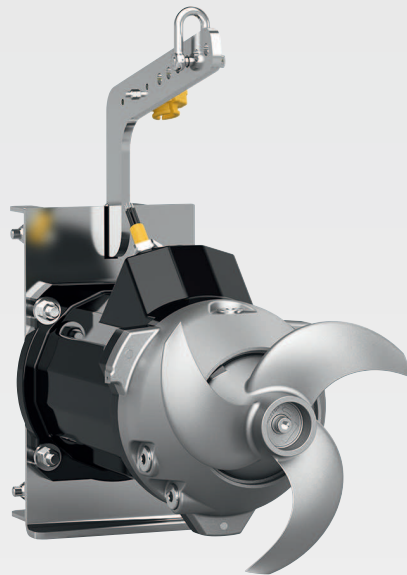


Wilo-Flumen OPTI-TR 20-1, 28-1, 30-1, 40-1 Wilo-Flumen EXCEL-TRE 20, 30, 40



en-US Installation and operating instructions

es Instrucciones de instalación y funcionamiento



US-English.....	4
Español	52

Table of Contents

1	General	6
1.1	About this manual	6
1.2	Note on conformity	6
1.3	Copyright	6
1.4	Subject to changes	6
1.5	Warranty	6
2	Safety	6
2.1	Identification of safety instructions	7
2.2	Personnel qualifications	8
2.3	Electrical work	8
2.4	Monitoring devices	9
2.5	Operating in fluids that are hazardous to health	9
2.6	Transport	9
2.7	Installation/dismantling work	10
2.8	During operation	10
2.9	Maintenance work	10
2.10	Operating fluids	11
2.11	Operator's obligations	11
3	Application/Use	11
3.1	Intended use	11
3.2	Improper use	11
4	Product description	11
4.1	Design	12
4.2	Monitoring devices	13
4.3	Operating modes	14
4.4	Operation with frequency converter	14
4.5	Operation in an explosive atmosphere	14
4.6	Rating plate	15
4.7	Type key	15
4.8	Scope of delivery	16
4.9	Accessories	16
5	Transport and storage	16
5.1	Delivery	16
5.2	Transport	16
5.3	Storage	17
6	Installation and electrical connection	18
6.1	Personnel qualifications	18
6.2	Operator's obligations	18
6.3	Installation methods	18
6.4	Installation	18
6.5	Electrical connection	25
7	Commissioning	30
7.1	Personnel qualifications	30
7.2	Operator's obligations	30
7.3	Rotation control	30
7.4	Operation in an explosive atmosphere	31
7.5	Before switching on	31
7.6	Switching on and off	32
7.7	During operation	32

8	Decommissioning/removal	33
8.1	Personnel qualifications	33
8.2	Operator's obligations	33
8.3	Decommissioning	33
8.4	Removal	33
9	Maintenance and repair	36
9.1	Personnel qualifications	37
9.2	Operator's obligations	37
9.3	Operating fluids	37
9.4	Maintenance intervals	37
9.5	Maintenance measures	38
9.6	Repairs	41
10	Faults, causes and remedies	44
11	Spare parts	46
12	Disposal	46
12.1	Oils and lubricants	46
12.2	Protective clothing	47
12.3	Information on the collection of used electrical and electronic products	47
13	Appendix	47
13.1	Tightening torques	47
13.2	Operation with frequency converter	47
13.3	Ex rating	48

1 General

1.1 About this manual

The 'Installation and operating instructions' are an integral part of the product. Read these instructions before all activities and keep them accessible at all times. Strict observance of these instructions is a prerequisite for the intended use and correct handling of the product. Observe all information and markings on the product.

The language of the original operating instructions is German. All other languages of these instructions are translations of the original operating instructions.

1.2 Note on conformity

This product was developed and manufactured in accordance with the applicable EU product directives, to which all products sold in the EU must conform.

This product therefore complies with the relevant, general safety and health requirements of the European Union, as well as the published European standards and internationally recognized German standards.

Since this product was not intended to be sold and used in the European Union, it does not have a CE marking. **It is therefore not permitted to sell it in the European Union.**

1.3 Copyright

These 'Installation and operating instructions' have been copyrighted by the manufacturer. The content, of any kind, may not be reproduced, distributed or used for any competitive purpose without authorization and handed to third parties.

1.4 Subject to changes

The manufacturer reserves the right to make technical modifications to the product or individual components. Illustrations used may differ from the original and serve only as example illustrations of the product.

1.5 Warranty

For the warranty and warranty period the specifications according to the current "General Terms and Conditions" apply. You can find these here: www.wilo.com/legal

Any deviations must be contractually agreed and shall then be given priority.

Warranty

If the following points have been adhered to, the manufacturer is obliged to repair any qualitative or constructive defects:

- The defects were reported in writing to the manufacturer within the warranty period.
- Application according to intended use.
- All monitoring devices are connected and were checked before commissioning.

Disclaimer

A disclaimer rules out any responsibility for personal injury, material damage or financial losses. This exclusion of liability follows as soon as one of the following points applies:

- Inadequate configuration due to unsatisfactory or false information from the operator or employer
- Non-compliance with the 'Installation and operating instructions'
- Improper use
- Improper storage or transport
- Faulty installation or dismantling
- Insufficient or incorrect maintenance
- Unauthorized repairs
- Unsatisfactory building site
- Chemical, electrical or electrochemical influences
- Wear

2 Safety

This section contains basic information for the individual phases of the life cycle. Failure to observe this information will result in the following risks:

- Danger to persons due to electrical, mechanical and bacteriological effects as well as electromagnetic fields
- Danger to the environment due to leakage of hazardous substances
- Material damage

- Failure of important functions of the product

Failure to observe the information contained herein will result in the loss of claims for damages.

In addition, observe the instructions and safety instructions in the following sections!

2.1 Identification of safety instructions

In these 'Installation and operating instructions', safety instructions are used for material damage and personal injury. These safety instructions are illustrated differently:

- Safety instructions for personal injury start with a signal word, have a corresponding prefixed **symbol** and are grayed out.

DANGER



Type and source of the danger!

Impacts of the danger and instructions for prevention.

- Safety instructions for material damage start with a signal word and are illustrated **without** a symbol.

CAUTION

Type and source of the danger!

Impacts or information.

Signal words

- **DANGER!**
Violation causes death or serious injury!
- **WARNING!**
Violation can cause (serious) injury!
- **CAUTION!**
Violation can cause material damage, total breakdown is possible.
- **NOTICE!**
Useful indication for handling the product

Text designations

- ✓ Prerequisite
- 1. Work step/list
⇒ Notice/instruction
- Result

Symbols

The following symbols are used in these instructions:



Danger of electrical voltage



Danger from bacterial infection



Danger – explosive atmosphere



General warning symbol



Warning of cutting injuries



Warning of hot surfaces



Warning of high pressure



Warning of suspended load



Personal protective equipment: wear a protective helmet



Personal protective equipment: wear foot protection



Personal protective equipment: wear hand protection



Personal protective equipment: wear a safety harness



Personal protective equipment: wear mouth protection



Personal protective equipment: wear safety goggles



Working alone is prohibited! A second person must be present.



Useful information

2.2 Personnel qualifications

Personnel must:

- Be informed of the locally applicable accident prevention regulations.
- Have read and understood the installation and operating instructions.

The personnel must have the following qualifications:

- Electrical work: A qualified electrician must carry out the electrical work.
- Lifting work: A specialist suitably trained in the operation of lifting devices must carry out lifting work. Evidence must be provided pursuant to BGV D8 or local provisions.
- Installation-/dismantling work: The technician must be trained to handle the necessary tools and required fastening materials for the present building site.
- Maintenance work: The technician must be familiar with the use of operating fluids and their disposal. Furthermore, the technician must have basic knowledge of engineering.

Definition “Qualified Electrician”

A qualified electrician is someone with suitable technical training, knowledge and experience, who can recognize **and** avoid the dangers associated with electricity.

- 2.3 Electrical work**
- Have electrical work carried out by a qualified electrician.
 - Before commencing work, disconnect the product from the power supply and safeguard it from being switched on again.
 - Observe applicable local provisions when making the power connection.
 - Adhere to the provisions of the local energy supply company.
 - Train personnel in the execution of the electrical connection.
 - Instruct personnel in the options for switching off the device.
 - Adhere to the technical information in these installation and operating instructions as well as on the rating plate.
 - Earth product.
 - Observe provisions for connection to the electrical switching systems.
 - Comply with the specifications on electro-magnetic compatibility when using electronic start-up controllers (e.g. soft starter or frequency converter). If required, take special measures into account (e.g. shielded cables, filters etc.).
 - Replace defective connection cables. Contact customer service.
- 2.4 Monitoring devices**
- The following monitoring devices must be provided by the customer:
- Circuit breaker***
- The size and switching characteristics of the circuit breakers must conform to the rated current of the product connected. Observe the locally applicable regulations.
- Motor protection switch***
- For products supplied without a plug, a motor protection switch must be installed on-site. The minimum requirement is a thermal relay/motor protection switch with temperature compensation, differential triggering and an anti-reactivation device, in accordance with local regulations. Further protection devices (e.g. overvoltage, undervoltage, or phase-failure relay etc.) must be provided on-site for sensitive power supplies.
- Residual-current device (RCD)***
- Adhere to the regulations of the local energy supply company! We recommend using a residual-current device (RCD).
If persons come into contact with the product and conductive liquids, secure connection **with** a residual-current device (RCD).
- 2.5 Operating in fluids that are hazardous to health**
- When using the product in fluids which are dangerous to health, there is a danger of bacterial infection! Thoroughly clean and disinfect the product after removal and before further use. The operator must ensure the following points:
- When cleaning the product the following protective equipment is made available and worn:
 - Closed safety goggles
 - Breathing mask
 - Protective gloves
 - All persons are informed about the fluid, the danger resulting from it and how to handle it!
- 2.6 Transport**
- Risk of injury due to impact or crushing. Wear the following protective equipment:
 - Safety shoes
 - Protective helmet
 - At the operation site adhere to applicable laws and regulations for work safety and accident prevention.
 - Demarcate the working area.
 - Unauthorized persons must be kept away from the working area.
 - Observe packaging provisions:
 - Impact-resistant
 - Ensure the product is properly fixed in place.
 - Protect it against dust, oil and moisture.
 - Only use legally specified and approved lifting gear and hoists.
 - Select lifting gear according to the present conditions (weather, attachment point, load etc.).
 - Always attach the lifting gear to the attachment points and ensure they are securely attached.
 - The stability of the hoist must be ensured during operation.

- When using a hoist, a second person must be present to coordinate the procedure if required (e.g. if the operator's field of vision is blocked).
- Keep away from the hoist's swivel range when hoisting the product.
- Standing under suspended loads is not permitted. Do **not** move suspended loads over working areas occupied by people.

2.7 Installation/dismantling work

- Risk of injury due to:
 - Slipping
 - Tripping
 - Impact
 - Crushing
 - Falling
- Wear the following protective equipment:
 - Safety shoes
 - Safety gloves that protect against cutting injuries
 - Protective helmet
 - Safety harness
- At the operation site, adhere to applicable laws and regulations for work safety and accident prevention.
- Demarcate the working area.
- Keep the working area free from ice.
- Keep the working area free from any objects lying around.
- If the weather conditions mean it is no longer possible to work safely, stop work.
- Unauthorized persons must be kept away from the working area.
- Work must always be carried out by two persons.
- When working at a height of more than 1 m (3 ft) above the ground, use scaffolding with a safety harness.
- Cordon off the working area around the scaffolding.
- Disconnect the product from the power supply and secure against unauthorized switch-on.
- All rotating parts must stop.
- Make sure that there is no risk of explosion when carrying out any work with electrical devices.
- Only use hoists in a technically sound condition.
- Keep away from the hoist's swivel range when hoisting the product.
- Toxic or suffocating gases may build up when working in closed rooms or structures. Ensure there is sufficient ventilation and observe protective measures according to work regulations (examples):
 - Measure gases before entering.
 - Carry a gas warning device with you.
 - etc.

2.8 During operation

- Keep people out of the product's working area. There must be no persons in the working area during operation.
- Wear protective equipment according to the work regulations notice.
- The operator must inform his/her superior immediately of any faults or irregularities.
- If defects which are dangerous to health arise, an immediate deactivation by the operator must be performed:
 - Breakdown of the safety and monitoring devices
 - Damage to the housing components
 - Damage to electrical equipment
- The propeller must not crash into fixtures or walls in the operating space. Observe defined clearances to fixtures and basin walls in accordance with consulting documents.
- If the water level varies significantly, ensure the required water immersion using level monitoring.
- Under normal operating conditions the product has a sound pressure of below 85 dB(A). However, the actual sound pressure level depends on several factors:
 - Installation depth
 - Installation type
 - Utilization
 - Immersion depth

2.9 Maintenance work

- Risk of injury through crushing and hot operating fluid. Wear the following protective equipment:

- Closed safety goggles
- Protective gloves
- Safety shoes
- Always carry out maintenance tasks outside the operating space.
- Only perform maintenance work which is described in these installation and operating instructions.
- Use only original parts from the manufacturer for maintenance and repairs. The use of parts other than original parts absolves the manufacturer of any liability.
- Collect any drips of fluid and operating fluid immediately and dispose of it according to the locally applicable guidelines.

Change of operating fluid

In the event of a motor defect, a pressure of **several bar can build up** in the sealing chamber! This pressure escapes **when opening** the screw plugs. Screw plugs opened carelessly can be ejected at high speed! To avoid injuries, observe the following instructions:

- Adhere to the prescribed sequence of work steps.
 - Unscrew screw plugs slowly but never fully. As soon as the pressure escapes (an audible whistling or hissing of air), do not turn any further.
- WARNING! When the pressure escapes, hot operating fluid can also be ejected. This can result in scalding! To avoid injury, allow the motor to cool down to ambient temperature before commencing work!**
- When the pressure has fully dissipated, fully unscrew screw plug.

2.10 Operating fluids

The seal housing is filled with white oil. Replace the operating fluid during regular maintenance work and dispose of it according to the local guidelines.

2.11 Operator's obligations

- Provide the installation and operating instructions in a language the personnel can understand.
- Ensure the required training of personnel for the specified work.
- Provide the required protective equipment and ensure that the personnel wear the protective equipment.
- Ensure that the attached safety and information signs on the product are always legible.
- Instruct the personnel in the operating principle of the system.
- Exclude any potential risks presented by electricity.
- Secure and demarcate the work area.
- For a safe workflow define the personnel's work plan.
- When the product works in normal operation mode, carry out a sound pressure measurement. If the measured sound pressure is more than 85 dB(A), wear hearing protection and include such an instruction in the work regulations!

3 Application/Use

3.1 Intended use

The mixers are suitable for both intermittent and continuous duty in drainage and sewage (with and without feces) as well as in sludge:

- for flow generation
- for suspension of solid matter
- for homogenization

Intended use also includes compliance with these instructions. Any use other than the intended use is regarded as improper use.

3.2 Improper use

The mixers must not be used in:

- Drinking water
- Non-Newtonian fluids
- Severely contaminated fluids containing hard components such as stone, wood, metals, etc.
- Highly flammable and explosive fluids in pure form

4 Product description

4.1 Design

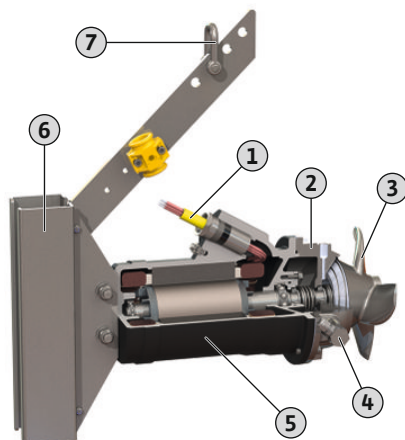


Fig. 1: Overview of the submersible mixer

The submersible mixer comprises the following main components:

1	Connection cable
2	Seal housing
3	Propeller
4	Pencil electrode (optional)
5	Motor
6	Frame for lowering device
7	Attachment point

4.1.1 Propeller

Propeller made of solid material with backward-curved incoming flow edge. **NOTICE! The propeller must not emerge during operation. Observe specifications on minimum water immersion!**

	OPTI-TR 20-I...	EXCEL-TRE 20...	OPTI-TR 28-I...	OPTI-TR 30-I...	EXCEL-TRE 30...	OPTI-TR 40-I...	EXCEL-TRE 40...
Nominal diameter in mm (in)	200 (8)	200 (8)	280 (11)	300 (11.5)	300 (11.5)	400 (16)	400 (16)
Number of blades	3	3	2	3	3	3	3
1.4408 (ASTM A 351)	•	•	•	•	•	•	•

• = standard, – = not available, o = optional

* = high wear-resistant propeller made of composite PUR/GFK (PUR/GFRP) material featuring reinforced leading edge.

4.1.2 Motor

The system is driven by a surface-cooled motor in three-phase current version. The motor is fitted with maintenance-free, permanently lubricated and appropriately dimensioned roller bearings. The motor is cooled by the fluid around it. The waste heat is transferred directly to the fluid via the motor housing.

The connection cable is sealed water pressure-tight against the fluid and is sealed longitudinally watertight. The connection cable has bare cable ends and the standard length is 10 m (33 ft). Longer cables are available on request.

	OPTI-TR...	EXCEL-TRE...
Fluid temperature	3...40 °C (37...104 °F)	3...40 °C (37...104 °F)
Protection class	IP68	IP68
Insulation class	H	H
Number of poles	4, 6, 8	4, 6
Max. switching frequency	15/h	15/h

	OPTI-TR...	EXCEL-TRE...
Max. immersion depth	20 m (66 ft)	20 m (66 ft)
Explosion protection	ATEX, FM, CSA	ATEX, FM
Operating mode, immersed	S1	S1
Operating mode, non-immersed	-	-
Motor efficiency class	-	IE3
Housing material	EN-GJL-250 (ASTM A48 Class 35/40B)	EN-GJL-250 (ASTM A48 Class 35/40B)

4.1.3 Seal

Between the motor and propeller, there is the seal housing with seals on the fluid side and motor side. The seal on the fluid side is provided by a mechanical seal. The seal on the motor side involves either a rotary shaft seal or a mechanical seal. The seal housing is filled with white oil and absorbs the leakage from the seal on the fluid side.

	OPTI-TR 20-1	EXCEL-TRE 20...	OPTI-TR 28-1...	OPTI-TR 30-1...	EXCEL-TRE 30...	OPTI-TR 40-1...	EXCEL-TRE 40...
Seal							
On the fluid side: SiC/SiC	•	•	•	•	•	•	•
On motor side: NBR (nitrile)	-	-	-	•	•	•	•
On motor side: SiC/SiC	•	•	•	-	-	-	-
Housing material							
1.4408 (ASTM A 351)	•	•	•	•	•	•	•

4.2 Monitoring devices

Overview of possible monitoring devices:

	OPTI-TR 20-1...	EXCEL-TRE 20...	OPTI-TR 28-1...	OPTI-TR 30-1...	EXCEL-TRE 30...	OPTI-TR 40-1...	EXCEL-TRE 40...
Internal monitoring devices							
Motor compartment	o	o	o	-	-	-	-
Motor compartment/sealing chamber*	-	-	-	o	o	o	o
Motor winding**	•	•	•	•	•	•	•
External monitoring devices							
Sealing chamber	o	o	o	o	o	o	o

Legend

- = not available/possible, o = optional, • = standard

* In the Ex version, this monitoring is omitted and not substituted!

** A temperature limiter is in-built as standard. The Ex version as per ATEX also features an installed temperature controller and limiter.

All monitoring devices fitted must be connected at all times!

Monitoring of motor compartment

The motor compartment monitoring protects the motor winding from short-circuits. The moisture is measured by an electrode.

Monitoring the motor compartment and sealing chamber

The motor compartment monitoring protects the motor winding from short-circuits. Sealing chamber control detects fluid ingress through the mechanical seal on the fluid side. In each case, the humidity is recorded by an electrode in the motor compartment and sealing chamber.

NOTICE! In the Ex version, this monitoring is omitted!

Monitoring the motor winding

The thermal motor monitor protects the motor winding from overheating. A temperature limit with bimetallic strip is built-in as standard.

As an option, the temperature can also be measured with a PTC sensor. The thermal motor monitoring can also be designed as temperature control. This allows the measurement of two temperatures. When the low temperature is reached, an automatic reactivation can be initiated after cooling the motor. When the high temperature is reached, the unit must deactivate with reactivation lock.

External monitoring of the sealing chamber

The sealing chamber can be equipped with an external pencil electrode. The electrode registers fluid ingress through the mechanical seal on the fluid side. An alarm or deactivation of the pump can therefore take place through the pump control.

4.3 Operating modes**Operating mode S1: Continuous duty**

The mixer can operate continuously at the rated load without exceeding the permissible temperature.

4.4 Operation with frequency converter

Operation on the frequency converter is permitted. Refer to the appendix for the relevant requirements!

4.5 Operation in an explosive atmosphere

Approval according to	OPTI-TR 20-1...	EXCEL-TRE 20...	OPTI-TR 28-1...	OPTI-TR 30-1...	EXCEL-TRE 30...	OPTI-TR 40-1...	EXCEL-TRE 40...
ATEX	o	-	o	o	o	o	o
FM	o	-	o	o	o	o	o
CSA-Ex	-	-	-	-	-	-	-

Legend

- = not available/possible, o = optional, • = standard

For use in explosive atmospheres, the mixer must be marked as follows on the rating plate:

- "Ex" symbol for the relevant approval
- Ex classification

For the relevant requirements, refer to the explosion protection chapter in the appendix of these installation and operating instructions!

ATEX approval

The mixers are suitable for operation in potentially explosive atmospheres:

- Device group: II
- Category: 2, zone 1 and zone 2

Mixers must not be used in zone 0!**FM approval**

The mixers are suitable for operation in potentially explosive atmospheres:

- Protection class: Explosionproof
- Category: Class I, Division 1

Notice: If the cabling is carried out according to Division 1, installation in Class I, Division 2 is also permitted.

4.6 Rating plate

The following is an overview of the abbreviations and associated data on the rating plate:

Rating plate designation	Value
P-Typ	Mixer type
M-Typ	Type of motor
S/N	Serial number
MFY	Date of manufacture*
n	Speed
T	Max. fluid temperature
IP	Protection class
I _N	Rated current
I _{ST}	Starting current
I _{SF}	Rated current at service factor
P ₂	Rated power
U	Rated voltage
f	Frequency
Cos φ	Motor efficiency
SF	Service factor
OT _S	Operating mode: immersed
OT _E	Operating mode: non-immersed
AT	Starting mode
m	Weight

*The date of manufacture is given according to ISO 8601: JJJJWww

- JJJJ = Year
- W = Abbreviation for week
- ww = Specified calendar week

4.7 Type key

Example: Wilo-Flumen OPTI-TR 30-1.145-4/16REx S17	
Flumen	Submersible mixer, horizontal
OPTI	Series: OPTI = mixer with standard motor EXCEL = mixer with high efficiency motors (IE3/IE4/IE5)
TR	Mixer type: TR = mixer with standard asynchronous motor TRE = mixer with asynchronous motors of motor efficiency class IE3/IE4 TRP = mixer with permanent magnet motors of motor efficiency class IE4/IE5
30	x10 = nominal propeller diameter in mm
1	Model
145	Rated propeller speed in rpm

Example: Wilo-Flumen OPTI-TR 30-1.145-4/16REx S17

4	Number of poles
16	x10 = stator pack length in mm
R	Motor version: R = mixer version V = mixer version with reduced power
Ex	With Ex approval
S17	Propeller code for special propeller (omitted for standard propeller)

4.8 Scope of delivery

- Mixers with bare cable end
- Cable length per customer request
- Mounted accessories, e.g. frame, pencil electrode, etc.
- Installation and operating instructions

4.9 Accessories

- Lowering device
- Auxiliary lifting device
- Mounting bracket for wall and floor fixation
- Cable bollard to secure the hoist rope
- Terminal stop
- Additional rope anchoring
- Fixation sets with anchor bolts

5 Transport and storage**5.1 Delivery**

Following receipt of the shipment the shipment must be immediately checked for defects (damage, completeness). Any existing defects must be noted on the freight documentation! Furthermore, the defects must be reported to the transport company or manufacturer on the date of receipt. Claims reported after this date can no longer be invoked.

5.2 Transport**WARNING****Standing under suspended loads!**

People must not stand under suspended loads! There is a risk of (serious) injury due to falling parts. The load must not be moved over the work areas in which people are present!

WARNING**Head and foot injuries due to a lack of protective equipment!**

During work there is a risk of (serious) injury. Wear the following protective equipment:

- Safety shoes
- If lifting equipment is used, a protective helmet must also be worn.

**NOTICE****Use only technically faultless lifting equipment!**

Use only technically faultless lifting equipment to lift and lower the mixer. Make sure that the mixer does not jam during lifting and lowering. Do **not** exceed the maximum bearing capacity of the lifting equipment! Check that lifting equipment is functioning properly before use!

NOTICE**Transporting mixers without attachment points**

Mixers for ground and wall fixation have no in-built frame and therefore no attachment point. Transport the mixer on the pallet to the installation site. Have one or two persons position the mixer at the installation site. Remember the weight of the mixer!

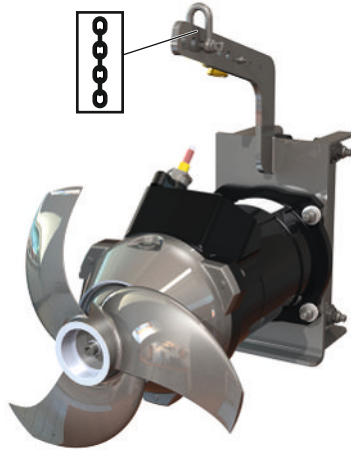


Fig. 2: Attachment point

5.3 Storage

DANGER**Danger due to fluids which are hazardous to health!**

If the mixer is used in fluids which are hazardous to health, then there is a risk of fatal injury.

- Decontaminate the mixer after removal and before all work.
- Observe the specifications in the work regulations. The operator must ensure that the personnel have received and read the work regulations.

WARNING**The propeller blade has sharp edges!**

Sharp edges can form on the propeller blades. There is a risk of limbs being severed. Wear safety gloves to protect against cuts.

CAUTION**Total damage due to moisture penetration**

Moisture ingress in the connection cable damages the connection cable and the mixer! Never immerse the end of the connection cable in a fluid and firmly seal it during storage.

Newly supplied mixers can be stored for one year. Contact customer service before storing the mixer for more than one year.

Observe the following points regarding storage:

- Place the mixer (horizontally) on a firm surface **and secure it against slipping and falling over!**
- **CAUTION! Do not set the mixer down on the propeller. To do so will damage the propeller or shaft! In the case of larger propeller diameters, ensure an appropriate pedestal is provided.**
- The max. storage temperature is -15 °C to $+60\text{ °C}$ (5 °F to 140 °F) at a max. relative humidity of 90 %, non-condensing. Frost-proof storage at a temperature of 5 °C to 25 °C (41 °F to 77 °F) with relative humidity of 40 % to 50 % is recommended.
- Do not store the mixer in rooms in which welding works are carried out. The resulting gases or radiations could corrode the elastomer parts and coatings.
- Protect connection cable against kinking and damage.
- Protect mixer from direct sunlight and heat. Extreme heat may lead to damage to the propeller and coating!
- Turn the propeller at regular intervals (twice a year). This prevents jamming of the bearings and it renews the film of lubrication on the mechanical seal. **WARNING! There is a risk of injury due to sharp edges on the propeller!**
- The elastomer parts and coatings become brittle over time. When stored for more than 6 months, customer service must be consulted.

Following storage, clean the dust and oil from the mixer and check the coating for damage. Repair damaged coatings before further use.

6 Installation and electrical connection

6.1 Personnel qualifications

- Electrical work: A qualified electrician must carry out the electrical work.
- Installation-/dismantling work: The technician must be trained to handle the necessary tools and required fastening materials for the present building site.
- Lifting work: A specialist suitably trained in the operation of lifting devices must carry out lifting work. Evidence must be provided pursuant to BGV D8 or local provisions.

6.2 Operator's obligations

- Locally applicable accident prevention and trade association safety provisions must be observed.
- Observe all regulations for working with and underneath heavy suspended loads.
- Make available protective equipment and ensure that the personnel wear the protective equipment.
- Demarcate the working area and keep it free from any objects lying around.
- Unauthorized persons must be kept away from the working area.
- If the weather conditions (e.g. ice formation, strong wind) mean it is no longer possible to work safely, stop work.
- To allow the product to be fixed securely and functionally, the structural components and foundations must be of sufficient stability. The operator is responsible for the provision and suitability of the structural components and foundations!
- Check that the available consulting documents (installation plans, layout of the operating space, intake ratios) are complete and correct.

6.3 Installation methods

- Stationary ground and wall fixation
- Flexible installation with lowering device

NOTICE! Vertical installation between -90° and $+90^\circ$ may be possible depending on the system. For such installations, contact customer service!

6.4 Installation

DANGER**Danger due to fluids hazardous to health during installation!**

Ensure that the installation site is clean and disinfected during installation. If contact with fluids that are hazardous to health is possible, observe the following points:

- Wear protective equipment:
 - ⇒ Closed safety goggles
 - ⇒ Mouth protection
 - ⇒ Protective gloves
- Wipe up drips immediately.
- Observe information from the work regulations! The operator must ensure that the personnel have received and read the work regulations!

DANGER**Risk of fatal injury due to dangerous lone working practices!**

Working in pump chambers and tight spaces as well as working where there is a danger of falling is dangerous work. This work must not be carried out alone! A second person must be present for safety reasons.

WARNING**A lack of protective equipment may result in hand and foot injuries or risk of falling!**

During work there is a risk of (serious) injury. Wear the following protective equipment:

- Safety gloves that protect against cuts
- Safety shoes
- Safety harness
- If lifting equipment is used, a protective helmet must also be worn!

CAUTION**Material damage due to incorrect fixation**

Incorrect fixation may limit the functionality of the mixer or damage it.

- If the mixer is fixed to a concrete structure, use anchor bolts for fixation. Follow the manufacturer's installation instructions! Temperature specifications and hardening periods must be strictly observed.
- If the mixer is fixed to a steel structure, ensure that the structure is sufficiently strong. Use fixation materials with sufficient strength! Use suitable materials to avoid electrochemical corrosion!
- Tighten all screwed connections. Observe torque specifications.

NOTICE



Use only technically faultless lifting equipment!

Use only technically faultless lifting equipment to lift and lower the mixer. Make sure that the mixer does not jam during lifting and lowering. Do **not** exceed the maximum bearing capacity of the lifting equipment! Check that lifting equipment is functioning properly before use!

- Prepare the operating space/installation site:
 - Clean, free of coarse solids
 - Dry
 - Frost-free
 - Decontaminated
- Work must always be carried out by two persons.
- Avoid any painful or tiring body postures.
- When working at a height of more than 1 m (3 ft) above the ground, use scaffolding with a safety harness.
- Cordon off the working area around the scaffolding.
- Toxic or suffocating gases may build up when working in closed rooms. Ensure there is sufficient ventilation and observe protective measures according to work regulations (examples):
 - Measure gases before entering.
 - Carry a gas warning device with you.
 - etc.
- If there is a build up of toxic or suffocating gases, take countermeasures immediately.
- Use a hoist to lift, lower and transport the mixer.
- Attach the hoist to the attachment point using a shackle. Only use technically approved lifting gear.
- Keep away from the hoist's swivel range when hoisting the product.
- A hoist must be safely attached. The storage location as well as the installation site must be accessible with the hoist. The storage location must have a firm surface.
- Observe minimum clearances to the walls and any fixtures.
- The routed connection cable must allow safe operation. Check whether the cable cross section and the cable length are sufficient for the selected installation type.

6.4.1 Maintenance work

After a storage period of more than 6 months, carry out the following maintenance tasks before installation:

- Rotate the propeller.
- Change oil in seal housing.

6.4.1.1 Rotating the propeller

WARNING



The propeller blade has sharp edges!

Sharp edges can form on the propeller blades. There is a risk of limbs being severed. Wear safety gloves to protect against cuts.

- ✓ Mixer is **not** connected to the power supply!
- ✓ Protective equipment has been put on!
 1. Place the mixer horizontally on a firm surface.

WARNING! Danger of crushing hands. Make sure that the mixer cannot fall over or slip away!

CAUTION! Do not set the mixer down on the propeller! Use an appropriate pedestal for the propeller diameter.
 2. Grip the propeller slowly and carefully and rotate the propeller.

6.4.1.2 Oil change in seal housing (TR 20-1/28-1, TRE 20)

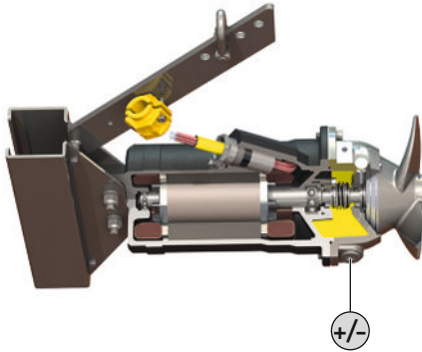


Fig. 3: Oil change

6.4.1.3 Oil change in seal housing (TR 30-1/40-1, TRE 30/40)

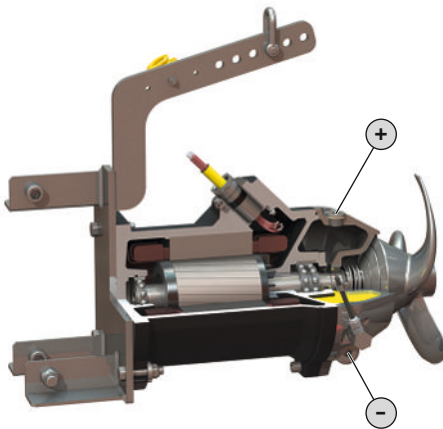


Fig. 4: Oil change

+/-	Drain/fill seal housing oil
-----	-----------------------------

- ✓ Mixer is **not** installed.
 - ✓ Mixer is **not** connected to the power supply.
 - ✓ Protective equipment has been put on!
1. Place the mixer horizontally on a firm surface.
WARNING! Danger of crushing hands. Make sure that the mixer cannot fall over or slip away!
CAUTION! Do not set the mixer down on the propeller! Use an appropriate pedestal for the propeller diameter.
 2. Place a suitable tank to collect the operating fluid.
 3. Unscrew the screw plug (+/-).
 4. Tilt the mixer and allow the operating fluid to drain out.
 5. Check operating fluid: If there are metal filings in the operating fluid, inform customer service!
 6. Dispose of operating fluids according to the local regulations!
 7. Return the mixer to a horizontal position so that the opening points upwards.
 8. Pour the new operating fluid in through the hole for the screw plug (+/-).
⇒ Comply with the specifications for operating fluid type and quantity!
 9. Clean the screw plug (+/-), replace the seal ring and screw it back in. **Max. tightening torque: 8 Nm (5.9 ft-lb)!**
 10. Reapply corrosion protection: Seal screw plug, e.g. with Sikaflex.

+	Fill oil in the seal housing
-	Drain oil in the seal housing

- ✓ Mixer is **not** installed.
 - ✓ Mixer is **not** connected to the power supply.
 - ✓ Protective equipment has been put on!
1. Place the mixer horizontally on a firm surface.
WARNING! Danger of crushing hands. Make sure that the mixer cannot fall over or slip away!
CAUTION! Do not set the mixer down on the propeller! Use an appropriate pedestal for the propeller diameter.
 2. Place a suitable tank to collect the operating fluid.
 3. Unscrew the screw plug (+).
 4. Unscrew the screw plug (-) and allow the operating fluid to drain out.
 5. Check operating fluid: If there are metal filings in the operating fluid, inform customer service!
 6. Dispose of operating fluids according to the local regulations!
 7. Clean the screw plug (-), replace the seal ring and screw it back in. **Max. tightening torque: 8 Nm (5.9 ft-lb)!**
 8. Pour the new operating fluid in through the hole for the screw plug (+).
⇒ Comply with the specifications for operating fluid type and quantity!
 9. Clean the screw plug (+), replace the seal ring and screw it back in. **Max. tightening torque: 8 Nm (5.9 ft-lb)!**
 10. Reapply corrosion protection: Seal screw plug, e.g. with Sikaflex.

6.4.2 Wall fixation



Fig. 5: Wall fixation

In the case of wall fixation, the mixer is mounted directly on the basin wall. Lay the connection cable against the basin wall and lead it upwards.

- ✓ Operating space/installation site is prepared for installation. Defined clearances to fixtures and basin walls in accordance with consulting documents.
- ✓ Mixer is not connected to the power supply.
- ✓ For installation at heights over 1 m, use scaffolding with a safety harness.
 1. Have 2 persons position the mixer against the basin wall and mark the fixation holes.
 2. Set the mixer down outside of the working area.
 3. Drill fixation holes and insert anchor bolts. **NOTICE! Follow the manufacturer's installation instructions!**
 4. Once the anchor bolts have hardened in place, have 2 persons place the mixer on the anchor bolts and fix in place with fixation material.
 5. Fix the mixer firmly against the basin wall. **NOTICE! Follow the manufacturer's installation instructions!**
 6. Lay the connection cable against the basin wall so that it is lightly taut. **CAUTION! If the connection cable leads over the edge of the basin, beware of potential abrasion. Sharp edges may damage the connection cable. Bevel the basin edge if necessary!**
 7. Apply corrosion protection (e.g. Sikaflex): Fill the slotted holes on the motor flange up to the washer.
- ▶ Mixer is installed. Make the electrical connection.

6.4.3 Ground installation

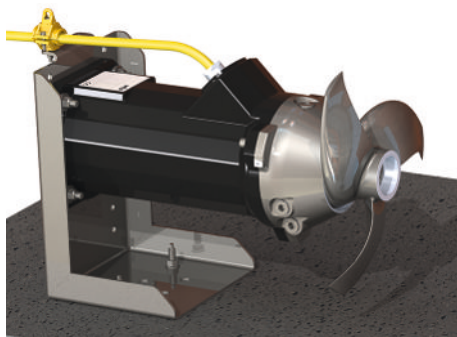


Fig. 6: Ground installation

In the case of ground installation, the mixer is fixed to the floor of the basin using a mounting bracket. **CAUTION! If the mixer is ordered for ground installation, the mounting bracket comes pre-assembled. If the mixer is delivered without a mounting bracket, order the appropriate mounting bracket from customer service!** Lay the connection cable along the basin floor and up the basin wall.

- ✓ Operating space/installation site is prepared for installation. Defined clearances to fixtures and basin walls in accordance with consulting documents.
- ✓ Mixer is not connected to the power supply.
- ✓ Mounting bracket mounted on the mixer.
 1. Have 2 persons position the mixer on the basin floor and mark the 2 fixation holes.
 2. Set the mixer down outside of the working area.
 3. Drill fixation holes and insert anchor bolts. **NOTICE! Follow the manufacturer's installation instructions!**
 4. Once the anchor bolts have hardened in place, have 2 persons position the mixer on the anchor bolts and fix in place with fixation material.
 5. Install the mixer firmly to the basin floor. **NOTICE! Follow the manufacturer's installation instructions!**
 6. Lay the connection cable against the basin floor and the basin wall so that it is lightly taut. **CAUTION! If the connection cable leads over the edge of the basin, beware of potential abrasion. Sharp edges may damage the connection cable. Bevel the basin edge if necessary!**
 7. Apply corrosion protection (e.g. Sikaflex):
 - Sealing joint between mounting bracket and structure.
 - Fill holes in the baseplate of the mounting bracket.
 - Fill scratches in the mounting bracket.
- ▶ Mixer is installed. Make the electrical connection.

6.4.4 Installation with lowering device

The mixer is lowered into the basin using a lowering device. The lowering device's guide pipe leads the mixer safely to the operating point. The resultant reaction forces are transferred

via the lowering device directly into the foundation. The foundation **must** be dimensioned to bear this load!

CAUTION! Material damage may occur due to incorrect accessories! Due to the high reaction forces, the mixer may only be operated with the manufacturer's accessories (lowering device and frame). If the mixer is ordered together with lowering device installation, the frame comes pre-assembled. If the mixer is delivered without a frame, order the appropriate frame from customer service!

Preparatory tasks

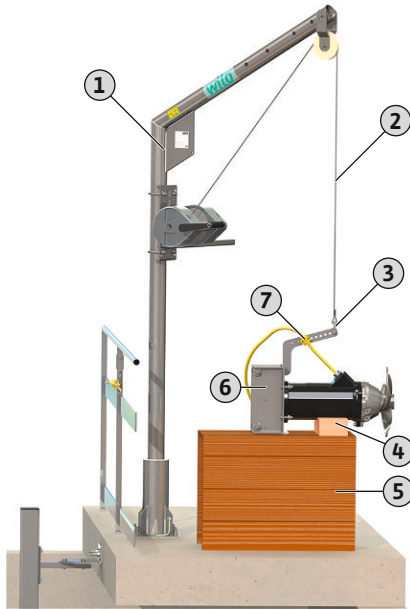


Fig. 7: Prepare mixer

1	Hoist
2	Lifting equipment
3	Shackle for attachment
4	Support
5	Pedestal for secure set-down
6	Frame
7	Cable brackets for strain relief

- ✓ Mixer set down and horizontal.
- ✓ Frame mounted on the mixer.
- ✓ Lowering device mounted in basin.
- ✓ Hoist with sufficient bearing capacity must be present.

1. Attach lifting equipment to frame with a shackle.
2. Version with plastic rollers: Loosen linchpins and dismantle plastic rollers and quick-release axles.

NOTICE! Retain components for further assembly.

3. Lay all connection cables and mount cable brackets.
The cable brackets fix the connection cable to the lifting equipment and prevent uncontrolled floating of the connection cable in the basin.

Mixer	Cable bracket clearance
TR/TRE 20	550 mm (20 in)
TR 28-1	550 mm (20 in)
TR/TRE 30	750 mm (30 in)
TR/TRE 40	750 mm (30 in)

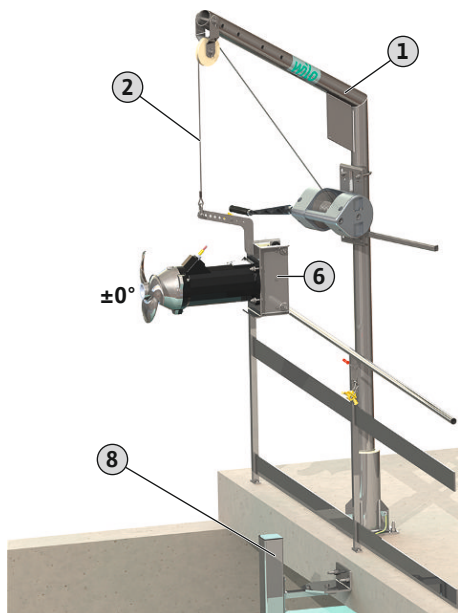


Fig. 8: Swivel the mixer over the basin

Lift the mixer and swivel it over the basin

1	Hoist
2	Lifting equipment
6	Frame
8	Guide pipe for lowering device

✓ Preparatory tasks completed.

1. Lift mixer so that it can be swiveled safely over the railings.

NOTICE! The mixer must hang horizontal to the hoist. If the mixer hangs at an angle to the hoist, adjust the attachment point on the frame.

2. Swivel the mixer over the basin.

NOTICE! The frame must be perpendicular to the guide pipe. If the frame is not perpendicular to the guide pipe, adjust the reach of the hoist.

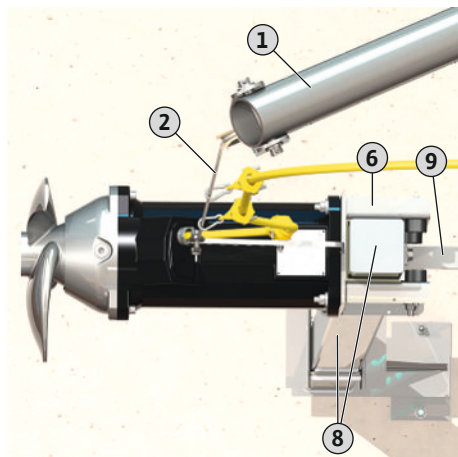


Fig. 9: Mixer on the lowering device

Mounting the mixer on the lowering device

1	Hoist
2	Lifting equipment
6	Frame
8	Guide pipe for lowering device
9	Upper holder of the lowering device

✓ Mixer hangs horizontally.

✓ Frame perpendicular to the guide pipe.

✓ Cable bracket is installed.

1. Slowly lower the mixer.

2. Insert the guide pipe in the frame without tilting.

NOTICE! The guide rollers are in contact with the guide pipe.

3. Version with quick-release axles:

Lower the mixer until the frame is below the upper holder. Install the quick-release axles and plastic rollers and secure them with linchpins!

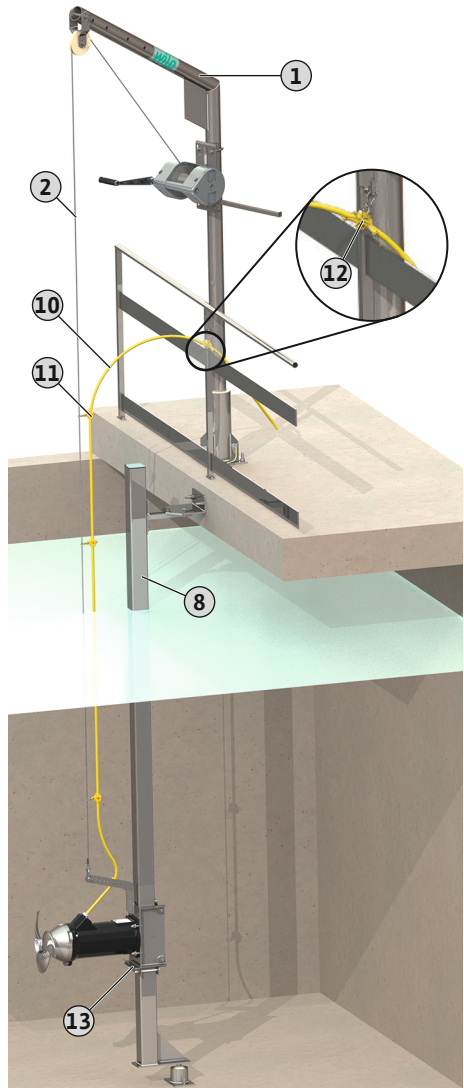


Fig. 10: Mixer set down on the fixed limit stop

Completing installation

1	Hoist
2	Lifting equipment
8	Guide pipe for lowering device
10	Connection cable
11	Cable bracket with snap hook, cable routing via lifting equipment
12	Cable bracket with snap hook, safeguard against falling
13	Fixed limit stop

✓ Mixer mounted on the lowering device

1. Slowly lower the mixer.
 2. Hang the connection cable on the lifting equipment using the cable brackets. The connection cable is routed safely using the lifting equipment (e.g. wire rope). **CAUTION! If no cable brackets are used to route the connection cable, ensure that the connection cable is not pulled into the propeller!**
 3. Lower the mixer to the end of the guide pipe or until it reaches the fixed limit stop.
 4. Secure the connection cable to the railing or hoist to prevent it from falling!
 5. Check the swivel area of the lowering device. Check the entire swivel area of the lowering device. The mixer must not crash into any structures (fixtures, basin wall). **CAUTION! If the entire swivel area is not made usable, mechanically limit the swivel area!**
 6. Set the desired angle and install a screw to secure the lowering device against further adjustments.
- Installation is complete. Lay the connection cable and make the electrical connection.

Mobile hoist: Installing a cable bollard

If a mobile hoist is used, install a cable bollard at the edge of the basin:

- Remove lifting equipment (e.g. wire rope) from the hoist and secure it to the cable bollard.
- Secure the connection cable at the edge of the basin to prevent it from falling.

CAUTION! If the connection cable leads over the edge of the basin, beware of potential abrasion. Sharp edges may damage the connection cable. Bevel the basin edge if necessary!

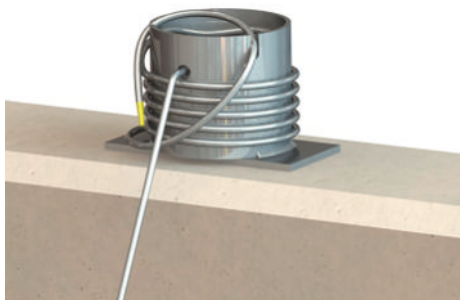


Fig. 11: Lifting equipment secured with cable bollard

6.5 Electrical connection

DANGER



Electrocution hazard!

Improper conduct when carrying out electrical work causes death due to electric shock! Electrical work must be carried out by a qualified electrician in accordance with the local regulations.

DANGER



Risk of explosion due to incorrect connection!

- Always connect the mixer to an electrical outlet outside the explosive area. If the connection must be made within the explosive area, then the connection must be carried out in an Ex-rated housing (ignition protection class according to DIN EN 60079-0)! Non-observance may lead to a risk of fatal injury due to explosion!
- Connect the potential compensator to the ground terminal indicated. The ground terminal is installed in the area of the connection cable. A cable cross-section in accordance with the locally applicable regulations must be used for the potential compensator.
- Connection must always be carried out by a qualified electrician.
- For the electrical connection, also note the additional information in the chapter on potentially explosive areas found in the appendix of these installation and operating instructions!

- The mains connection must match the specifications on the rating plate.
- Power supply on the mains side for three-phase current motors with clockwise rotating field.
- Lay the connection cable in accordance with the locally applicable regulations and connect it according to the wire assignment.
- Connect monitoring devices and check function.
- Carry out earthing properly according to the local regulations.

6.5.1 Line-side fuse protection

Circuit breaker

The size and switching characteristics of the circuit breakers must conform to the rated current of the product connected. Observe the locally applicable regulations.

Motor protection switch

For products supplied without a plug, a motor protection switch must be installed on-site. The minimum requirement is a thermal relay/motor protection switch with temperature compensation, differential triggering and an anti-reactivation device, in accordance with local regulations. Further protection devices (e.g. overvoltage, undervoltage, or phase-failure relay etc.) must be provided on-site for sensitive power supplies.

Residual-current device (RCD)

Adhere to the regulations of the local energy supply company! We recommend using a residual-current device (RCD).

If persons come into contact with the product and conductive liquids, secure connection **with** a residual-current device (RCD).

6.5.2 Maintenance work

Before installation carry out the following maintenance work:

- Check insulation resistance of the motor winding.
- Check resistor in the temperature sensor.
- Test the resistor of the pencil electrode (optionally available).

If the measured values differ from the specifications:

- Moisture may have penetrated into the motor or the connection cable.
- The monitoring device may be defective.

In case of failure contact customer service.

6.5.2.1 Checking insulation resistance of the motor winding

Measure insulation resistance with an insulation tester (measuring voltage = 1000 V). Adhere to the following values:

- On initial commissioning: insulation resistance may not be less than 20 MΩ.
- For further measurements: value must be larger than 2 MΩ.

6.5.2.2 Checking resistor in the temperature sensor

Check resistor in the temperature sensor with an ohmmeter. The following measured values must be complied with:

- **Bimetallic strip:** Measured value = 0 Ohm (passage).
- **PTC sensor** (positive temperature coefficient thermistor): Measured value depends on the number of sensors installed. A PTC sensor has a cold resistance of between 20 and 100 Ohm.
 - With **three** sensors in series, the measured value is between 60 and 300 Ohm.
 - With **four** sensors in series, the measured value is between 80 and 400 Ohm.

6.5.2.3 Testing the resistor of the external electrode for sealing chamber control

Measure the resistor of the electrode with an ohmmeter. The measured value must approach "infinity". For values ≤ 30 kOhm, there is water in the oil – change the oil!

6.5.3 Connection of the three-phase current motor

The three-phase version is supplied with bare cable ends. Connection to the mains is established by connecting the power supply cables in the switchgear. Refer to the attached connection diagram for more precise details regarding the connection. **Electrical connection must always be carried out by a qualified electrician!**

NOTICE! The individual wires are designated according to the connection diagram. Do not cut the wires! There is no additional assignment between the wiring diagram and connection diagram.

Wiring diagram of the power connections for direct activation

U, V, W	Mains connection
PE (green-yellow)	Ground

Wiring diagram of the power connections for star-delta starting

U1, V1, W2	Mains connection (start of winding)
U2, V2, W2	Mains connection (end of winding)
PE (green-yellow)	Ground

6.5.4 Connection of the monitoring devices

Refer to the enclosed connection diagram for details regarding the connection and installation of the monitoring devices. **Electrical connection must always be carried out by a qualified electrician!**

NOTICE! The individual wires are designated according to the connection diagram. Do not cut the wires! There is no additional assignment between the wiring diagram and connection diagram.

DANGER**Risk of explosion due to incorrect connection!**

If the monitoring devices are not connected correctly, there is a risk of fatal injury due to explosion in potentially explosive areas! Connection must always be carried out by a qualified electrician. If used in potentially explosive areas:

- Connect the thermal motor monitoring via an evaluation relay!
- Deactivation by the temperature limiter must be conducted with an reactivation lock! It must only be possible to restart the unit when the unlock key has been actuated by hand!
- Connect the external electrode (e.g. sealing chamber control) via an evaluation relay with an intrinsically safe circuit!
- Note the additional information in the chapter on potentially explosive areas found in the appendix of these installation and operating instructions!

Overview of possible monitoring devices:

	OPTI-TR 20-I...	EXCEL-TRE 20...	OPTI-TR 28-I...	OPTI-TR 30-I...	EXCEL-TRE 30...	OPTI-TR 40-I...	EXCEL-TRE 40...
Internal monitoring devices							
Motor compartment	o	o	o	-	-	-	-
Motor compartment/sealing chamber*	-	-	-	o	o	o	o
Motor winding**	•	•	•	•	•	•	•
External monitoring devices							
Sealing chamber	o	o	o	o	o	o	o

Legend

- = not available/possible, o = optional, • = standard

* In the Ex version, this monitoring is omitted and not substituted!

** A temperature limiter is in-built as standard. The Ex version as per ATEX also features an installed temperature controller and limiter.

6.5.4.1 Monitoring of motor compartment

Connect the electrodes via an evaluation relay. Relay "NIV 101/A" is recommended for this. The threshold is 30 kOhm.

Wiring diagram

DK Electrode connection

The system must be deactivated when the threshold is reached.

6.5.4.2 Motor compartment/sealing chamber monitoring

Connect the electrodes via an evaluation relay. Relay "NIV 101/A" is recommended for this. The threshold is 30 kOhm.

Wiring diagram

DK Electrode connection

The system must be deactivated when the threshold is reached.

6.5.4.3 Monitoring the motor winding

With bimetallic strip

Directly connect bimetallic strips to the switchgear or via an evaluation relay.
Connection values: max. 250 V (AC), 2.5 A, $\cos \varphi = 1$

Wiring diagram for bimetallic strip

Temperature limiter

20, 21	Bimetallic strip connection
--------	-----------------------------

Temperature controller and limiter

21	High temperature connection
----	-----------------------------

20	Center terminal
----	-----------------

22	Low temperature connection
----	----------------------------

With PTC sensor

Connect the PTC sensor via an evaluation relay. Relay "CM-MSS" is recommended for this. The threshold is preset.

PTC sensor wiring diagram

Temperature limiter

10, 11	PTC sensor connection
--------	-----------------------

Temperature controller and limiter

11	High temperature connection
----	-----------------------------

10	Center terminal
----	-----------------

12	Low temperature connection
----	----------------------------

Triggering status for temperature controller and limiter

Depending on the version of the thermal motor monitoring, the following triggering status must occur when the threshold value is reached:

- Temperature limiter (1 temperature circuit):
The system must be deactivated when the threshold is reached.
- Temperature controller and limiter (2 temperature circuits):
When the threshold for the low temperature is reached, the motor can deactivate with automatic reactivation. When the threshold for the high temperature limit is reached, the motor must deactivate with manual reactivation.

Note the additional information in the section on potentially explosive areas in the appendix!

6.5.4.4 Sealing chamber monitoring (external electrode)

Connect the external electrode via an evaluation relay. Relay "NIV 101/A" is recommended for this. The threshold is 30 kOhm.

Once the threshold is reached, a warning must be output or the unit must be switched off.

Note the additional information in the section on potentially explosive areas in the appendix!

CAUTION**Connection of the sealing chamber control**

If, on reaching the threshold, there is only a warning, the mixer may be irreparably damaged by the water ingress. Deactivation of the mixer is always recommended!

6.5.5 Adjustment of the motor protection

The motor protection must be set depending on the selected activation type.

- 6.5.5.1 Direct start-up**
- At full load, set the motor protection switch to the rated current (see rating plate). At partial load, it is recommended to set the motor protection switch to 5 % above the measured current in the duty point.
- 6.5.5.2 Star-delta activation**
- The motor protection setting depends on the installation:
- Motor protection installed in the motor line: Set the motor protection to 0.58 x the rated current.
 - Motor protection installed in the power supply cable: Set the motor protection to the rated current.
- The maximum start-up time in star connection is 3 seconds.
- 6.5.5.3 Soft starter**
- At full load, set the motor protection switch to the rated current (see rating plate). At partial load, it is recommended to set the motor protection switch to 5 % above the measured current in the duty point. Furthermore, observe the following points:
- Current consumption must always be lower than the rated current.
 - Complete starting and stopping within 30 s.
 - To avoid power dissipation, bypass the electronic starter (soft start) once normal operation is reached.
- 6.5.6 Operation with frequency converter**
- Operation on the frequency converter is permitted. Refer to the appendix for the relevant requirements!

7 Commissioning

WARNING



Hand and foot injuries due to a lack of protective equipment!

During work there is a risk of (serious) injury. Wear the following protective equipment:

- Safety gloves that protect against cuts
- Safety shoes
- If lifting equipment is used, a protective helmet must also be worn.

- 7.1 Personnel qualifications**
- Electrical work: A qualified electrician must carry out the electrical work.
 - Operation/control: Operating personnel must be trained in the operating principle of the complete system.
- 7.2 Operator's obligations**
- Provide installation and operating instructions by the mixer or at a place specially reserved for it.
 - Make the installation and operating instructions available in a language the personnel can understand.
 - Make sure that the installation and operating instructions are read and understood by all personnel.
 - All safety devices and emergency cut-outs on the system-side must be active and checked to ensure that they work properly.
 - The mixer is suitable for use under the specified operating conditions.
- 7.3 Rotation control**
- The mixer is checked at the factory and set to the correct direction of rotation for a clockwise rotating field. The connection is made according to the information in the "Electrical connection" section.

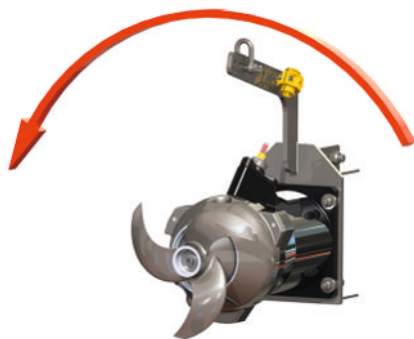


Fig. 12: Correct direction of rotation

Checking the direction of rotation

- ✓ Mains connection with clockwise rotating field present.
- ✓ Rotating field inspected by a qualified electrician.
- ✓ No persons are allowed in the working area of the mixer.

- ✓ Mixer firmly installed.

WARNING! Do not touch mixer with hands! The high starting torque can lead to serious injuries!

- ✓ Propeller is visible.

1. Switch mixer on. **Max. operating duration: 15 s!**

2. Direction of propeller rotation:

- View from front: The propeller rotates counter-clockwise (to the left).
- View from behind: The propeller rotates clockwise (to the right).

- ▶ Direction of rotation is correct.

Incorrect direction of rotation

If the direction of rotation is incorrect change the connection as follows:

- Direct starting: swap two phases.
- Star-delta starting: swap connections of two windings (e.g. U1/V1 and U2/V2).

NOTICE! After changing this connection, check the direction of rotation again!

7.4 Operation in an explosive atmosphere

Approval according to	OPTI-TR 20-1...	EXCEL-TRE 20...	OPTI-TR 28-1...	OPTI-TR 30-1...	EXCEL-TRE 30...	OPTI-TR 40-1...	EXCEL-TRE 40...
ATEX	o	–	o	o	o	o	o
FM	o	–	o	o	o	o	o
CSA-Ex	–	–	–	–	–	–	–

Legend

– = not available/possible, o = optional, • = standard

For use in explosive atmospheres, the mixer must be marked as follows on the rating plate:

- “Ex” symbol for the relevant approval
- Ex classification

For the relevant requirements, refer to the explosion protection chapter in the appendix of these installation and operating instructions!

ATEX approval

The mixers are suitable for operation in potentially explosive atmospheres:

- Device group: II
- Category: 2, zone 1 and zone 2

Mixers must not be used in zone 0!

FM approval

The mixers are suitable for operation in potentially explosive atmospheres:

- Protection class: Explosionproof
- Category: Class I, Division 1

Notice: If the cabling is carried out according to Division 1, installation in Class I, Division 2 is also permitted.

7.5 Before switching on

Before switching on check the following points:

- Check that the installation has been performed correctly and according to the locally applicable regulations:
 - Has the mixer been earthed?
 - Has the connection cable route been checked?
 - Has the electrical connection been made in accordance with regulations?
 - Are mechanical components correctly attached?
- Check operating conditions:
 - Min./max. fluid temperature tested?
 - Has the maximum immersion depth been checked?
 - Intermittent operation: Is the maximum switching frequency being adhered to?
- Check installation site/operating space:
 - Has the minimum water level above propeller been defined and monitored?
 - Min. fluid temperature can drop below 3 °C: Monitoring device with automatic deactivation installed?
 - No installations within the direct rotary range of the propeller?

7.6 Switching on and off

The mixer must switch on and off using a separate operating point (on/off switch, switchgear) set by the customer.

During the start process, the rated current is exceeded for several seconds. Current consumption continues to be slightly above the rated current until the operating temperature of the motor is reached and the flow in the basin increases. During regular operation, the rated current should no longer be exceeded. **CAUTION! If the mixer does not start up, switch off immediately. Remove the fault before reactivating!**

7.7 During operation

WARNING



Risk of burns due to hot surfaces!

The motor housing can get hot during operation. This can lead to burns. Allow the motor to cool down to ambient temperature after switching off!

WARNING



The propeller blade has sharp edges!

Sharp edges can form on the propeller blades. There is a risk of limbs being severed. Wear safety gloves to protect against cuts.

During operation, observe the local regulations on the following subjects:

- Workplace safety
- Accident prevention
- Handling electrical machines

Strictly adhere to the personnel's work plan determined by the operator. All personnel are responsible for adhering to the work plan and regulations!

- Operating voltage (+/-10 % of the rated voltage)
- Frequency (+/-2 % of the rated frequency)
- Current consumption between the individual phases (max. 5 %)
- Voltage difference between the individual phases (max. 1 %)
- Max. switching frequency
- Minimum immersion of the propeller
- Smooth/low-vibration running

Increased current consumption

Depending on the fluid and the flow, the current consumption may vary slightly. If current consumption is elevated for a longer period, this indicates a change in configuration. The cause for a change in circumstances could be:

- A change in the viscosity and density of the fluid, e.g. caused by modified addition of polymers or precipitating agents. **CAUTION! This modification may cause a severely increasing power consumption and even overload the system!**
- Insufficient mechanical pre-cleaning, e.g. fibrous and abrasive content.
- Non-homogeneous flow conditions due to fixtures or deflections in the operating space.
- Vibrations due to blockage of the basin inlet/outlet and draining, modified air intake (aeration) or the combined effect of several mixers.

Check system configuration and take countermeasures. **CAUTION! Permanently increased current consumption causes increased wear on the mixer!** Contact customer service for further assistance.

Monitoring fluid temperature

The fluid temperature must not drop below 3 °C. A fluid temperature below 3 °C results in thickening of the fluid, which can lead to fractures in the propeller. If the fluid temperature may sink below 3 °C, install an automatic temperature measurement device with advance warning and deactivation functions.

Monitoring minimum immersion

The propeller must not emerge from the fluid during operation. Minimum immersion specifications must be observed! If fluid levels fluctuate significantly, install a level monitoring device. If the fluid level drops below the minimum immersion level, switch off the mixer.

8 Decommissioning/removal

8.1 Personnel qualifications

- Operation/control: Operating personnel must be trained in the operating principle of the complete system.
- Electrical work: A qualified electrician must carry out the electrical work.
- Installation-/dismantling work: The technician must be trained to handle the necessary tools and required fastening materials for the present building site.
- Lifting work: A specialist suitably trained in the operation of lifting devices must carry out lifting work. Evidence must be provided pursuant to BGV D8 or local provisions.

8.2 Operator's obligations

- Locally applicable accident prevention and trade association safety provisions.
- Observe all regulations for working with and underneath heavy suspended loads.
- Make available the required protective equipment and ensure that the personnel wear the protective equipment.
- Ensure sufficient aeration in closed rooms.
- If toxic or suffocating gases build up, immediately initiate countermeasures!

8.3 Decommissioning

The mixer is deactivated during decommissioning, but remains installed. This ensures that the mixer is always ready for operation.

- ✓ To protect the mixer from frost and ice, always immerse the mixer completely in the fluid.
- ✓ The fluid temperature must always be above +3 °C (+37 °F).
 1. Switch off the mixer at the operating point.
 2. Secure the operating point against unauthorized switch-on (e.g. seal off the main switch).
 - ▶ The mixer is decommissioned and can now be dismantled.

If the mixer remains installed after decommissioning, observe the following:

- Ensure that the aforementioned preconditions are maintained for the complete period of decommissioning. If these prerequisites cannot be guaranteed, dismantle the mixer after decommissioning!
- For an extended period of decommissioning, carry out a 5 minute function test at regular intervals (monthly to quarterly). **CAUTION! A function test should only be carried out under the applicable operating conditions. Never run the machine dry! Failure to observe this provision can lead to irreparable damage!**

8.4 Removal

DANGER**Danger during removal due to fluids which are hazardous to health!**

Contact with fluids that are hazardous to health is possible during removal. Observe the following points:

- Wear protective equipment:
 - ⇒ Closed safety goggles
 - ⇒ Mouth protection
 - ⇒ Protective gloves
- Wipe up drips immediately.
- Observe information from the work regulations! The operator must ensure that the personnel have received and read the work regulations!

DANGER**Danger due to fluids which are hazardous to health!**

If the mixer is used in fluids which are hazardous to health, then there is a risk of fatal injury.

- Decontaminate the mixer after removal and before all work.
- Observe the specifications in the work regulations. The operator must ensure that the personnel have received and read the work regulations.

DANGER**Electrocution hazard!**

Improper conduct when carrying out electrical work causes death due to electric shock! Electrical work must be carried out by a qualified electrician in accordance with the local regulations.

DANGER**Risk of fatal injury due to dangerous lone working practices!**

Working in pump chambers and tight spaces as well as working where there is a danger of falling is dangerous work. This work must not be carried out alone! A second person must be present for safety reasons.

WARNING**A lack of protective equipment may result in hand and foot injuries or risk of falling!**

During work there is a risk of (serious) injury. Wear the following protective equipment:



- Safety gloves that protect against cuts
- Safety shoes



- Safety harness



- If lifting equipment is used, a protective helmet must also be worn!

WARNING**Risk of burns due to hot surfaces!**

The motor housing can get hot during operation. This can lead to burns. Allow the motor to cool down to ambient temperature after switching off!

NOTICE**Use only technically faultless lifting equipment!**

Use only technically faultless lifting equipment to lift and lower the mixer. Make sure that the mixer does not jam during lifting and lowering. Do **not** exceed the maximum bearing capacity of the lifting equipment! Check that lifting equipment is functioning properly before use!

8.4.1 Ground and wall fixation

- ✓ Mixer decommissioned.
- ✓ Operating space emptied, cleaned and, if required, disinfected.
- ✓ Mixer cleaned and, if required, disinfected.
- ✓ Ensure work is carried out by two persons.
 1. Disconnect mixer from power supply.
 2. Disconnect and wind up the connection cable.
 3. Enter the operating space. **DANGER! If the operating space cannot be cleaned and disinfected, wear protective equipment according to the work regulations!**
 4. Uninstall mixer from the basin wall or the basin floor.
 5. Set the mixer down on a pallet, secure it against slipping and lift it out of the operating space.
- ▶ Removal is complete. Clean and disinfect the mixer thoroughly.

8.4.2 Using a lowering device

- ✓ Mixer decommissioned.
- ✓ Protective equipment put on according to work regulations.
 1. Disconnect mixer from power supply.
 2. Disconnect and wind up the connection cable.
 3. Insert lifting equipment in hoist.
 4. Slowly lift mixer and remove it from the basin. During the lifting procedure, remove the connection cable from the lifting equipment and wind it up. **DANGER! Mixer and connection cable come directly out of the fluid. Wear protective equipment according to work regulations!**
 5. Swivel mixer and set it down on a firm surface.
- ▶ Removal is complete. Clean mixer and set-down location thoroughly, disinfect if required and store.

8.4.3 Clean and disinfect

DANGER



Danger due to fluids which are hazardous to health!

If the mixer was used in fluids hazardous to health, then there is a risk of fatal injury! Decontaminate mixer before all further work! Wear the following protective equipment during cleaning:

- Closed safety goggles
- Breathing mask
- Protective gloves

⇒ The listed equipment is the minimum requirement, observe the information from the work regulations! The operator must ensure that the personnel have received and read the work regulations!

- ✓ Mixer is removed.
- ✓ Apply a watertight seal to the open end of the connection cable.
- ✓ The contaminated cleaning water is fed into the sewage according to the local regulations.
- ✓ A disinfectant is available for contaminated mixers.
 1. Attach lifting equipment to attachment points.
 2. Lift the mixer approximately 30 cm (10 in) above the ground.
 3. Spray the mixer with clear water from top to bottom. **NOTICE! Use an appropriate disinfectant for contaminated mixers! Follow the specifications in the work regulations!**
 4. Spray propeller from all sides.
 5. Flush dirt residues from the floor into the drain.
 6. Allow the mixer to dry.

9 Maintenance and repair

DANGER



Danger due to fluids which are hazardous to health!

If the mixer is used in fluids which are hazardous to health, then there is a risk of fatal injury.

- Decontaminate the mixer after removal and before all work.
- Observe the specifications in the work regulations. The operator must ensure that the personnel have received and read the work regulations.

NOTICE



Use only technically faultless lifting equipment!

Use only technically faultless lifting equipment to lift and lower the mixer. Make sure that the mixer does not jam during lifting and lowering. Do **not** exceed the maximum bearing capacity of the lifting equipment! Check that lifting equipment is functioning properly before use!

- Carry out maintenance tasks in a clean location with good lighting and ventilation. Set the mixer down horizontally on a firm surface and secure it against tipping over / slipping away. **NOTICE! Do not set the mixer down on the propeller!**

- Only perform maintenance work which is described in these installation and operating instructions.
 - During maintenance work wear the following protective equipment:
 - Safety goggles
 - Safety shoes
 - Safety gloves
- 9.1 Personnel qualifications**
- Electrical work: A qualified electrician must carry out the electrical work.
 - Maintenance work: The technician must be familiar with the use of operating fluids and their disposal. Furthermore, the technician must have basic knowledge of engineering.
- 9.2 Operator's obligations**
- Make available the required protective equipment and ensure that the personnel wear the protective equipment.
 - Collect operating fluid in suitable tanks and dispose of properly.
 - Properly dispose of used protective clothing.
 - Use only genuine parts from the manufacturer. The use of parts other than original parts absolves the manufacturer of any liability.
 - Immediately clean up leakage from the fluid and operating fluid and dispose of according to the locally applicable guidelines.
 - Make available required tools.
 - If flammable solvents and cleaning agents are used, naked flames and smoking are prohibited.
- 9.3 Operating fluids**
- 9.3.1 Oil types**
- Medicinal white oil is filled into the sealing chamber ex-factory. When changing the oil, the following oil types are recommended:
- Aral Autin PL*
 - Shell ONDINA 919
 - Esso MARCOL 52* or 82*
 - BP WHITEMORE WOM 14*
 - Texaco Pharmaceutical 30* or 40*
- All oil types marked with "*" are approved for use with foods in accordance with "USDA-H1".
- 9.3.2 Lubricant grease**
- Use the following greases:
- Esso Unirex N3
 - Tripol Molub-Alloy-Food Proof 823 FM (with "USDA-H1" approval)
- 9.3.3 Filling quantities**
- OPTI-TR 20-1: 0.35 l (12 US.fl.oz.)
 - OPTI-TR 28-1: 0.35 l (12 US.fl.oz.)
 - OPTI-TR 30-1: 1.10 l (37 US.fl.oz.)
 - OPTI-TR 40-1: 1.10 l (37 US.fl.oz.)
 - EXCEL-TRE 20: 0.35 l (12 US.fl.oz.)
 - EXCEL-TRE 30: 1.10 l (37 US.fl.oz.)
 - EXCEL-TRE 40: 1.10 l (37 US.fl.oz.)
- Stated filling quantities apply for described installation types. Refer to the enclosed data sheet for the filling quantities required for deviating installation types.
- 9.4 Maintenance intervals**
- To ensure reliable operation, maintenance work must be carried out regularly. Depending on the real environmental conditions, contractually differing maintenance intervals can be specified! If strong vibrations occur during operation, the mixer and the installation must be checked regardless of the defined maintenance intervals.
- 9.4.1 Maintenance intervals for normal conditions**
- 8000 operating hours or after 2 years, whichever is earlier**
- Visual inspection of the connection cable
 - Visual inspection of the cable brackets and cable tensioning
 - Visual inspection for wear of the mixer
 - Function test of the monitoring devices
 - Visual inspection of accessories
 - Oil change

15000 operating hours or after 10 years, whichever is earlier

- General overhaul

9.4.2 Maintenance intervals under harsh conditions

Under harsh operating conditions, the specified maintenance intervals must be shortened as required. Harsh operating conditions include:

- Fluids with long-fiber components
- Strongly corrosive or abrasive fluids
- Highly gaseous fluids
- Operation at an unfavorable duty point
- Unfavorable flow conditions (e.g. due to fixtures or aeration)

When using mixer under harsh conditions, it is recommended to conclude a maintenance contract. Contact customer service.

9.5 Maintenance measures**WARNING****The propeller blade has sharp edges!**

Sharp edges can form on the propeller blades. There is a risk of limbs being severed. Wear safety gloves to protect against cuts.

WARNING**Hand, foot or eye injuries due to a lack of protective equipment!**

During work there is a risk of (serious) injury. Wear the following protective equipment:

- Safety gloves that protect against cuts
- Safety shoes
- Closed safety goggles

Before starting the maintenance measures the following requirements must be fulfilled:

- Motor cooled to ambient temperature.
- Mixer must be thoroughly cleaned and disinfected (if required).

9.5.1 Recommended maintenance measures

For smooth operation, it is recommended to carry out regular inspections of the current consumption and the operating voltage in all three phases. In normal operation, these values remain constant. Slight fluctuations depend on the characteristics of the fluid.

Current consumption can provide an early indication of damage to or malfunctions in the mixer, which can then be rectified. Larger voltage fluctuations strain the motor winding and can cause breakdown. Regular inspections can prevent major secondary damage and reduce the risk of total breakdown. With regard to regular inspections, the use of remote monitoring is recommended.

9.5.2 Visual inspection of the connection cable

Check the connection cable for:

- Bubbles
- Cracks
- Scratches
- Abrasion
- Pinch points
- Changes caused by chemical corrosion

If damage is identified on the connection cable, decommission the mixer immediately! Have the connection cable replaced by Wilo customer service. Only start the mixer up again once the damage has been properly remedied!

CAUTION! Water can enter into the mixer if the connection cable is damaged! Water ingress leads to the mixer being written off.

- 9.5.3 Visual inspection of the cable brackets and cable tensioning**
Check cable brackets and anchoring of the connection cable (lifting equipment or separate nylon rope) for material fatigue or shrinkage. If there are signs of wear, replace the faulty components immediately.
- 9.5.4 Visual inspection for wear of the mixer**
Inspect individual components (propeller, hub, etc.) for damage and wear. If there are defects, observe the following:
- If the coating is damaged, restore it.
 - If components have worn, contact customer service and replace the components in question!
- 9.5.5 Function test of the monitoring devices**
The mixer must be cooled down to ambient temperature to test resistances!
- 9.5.5.1 Checking resistor in the temperature sensor**
Check resistor in the temperature sensor with an ohmmeter. The following measured values must be complied with:
- **Bimetallic strip:** Measured value = 0 Ohm (passage).
 - **PTC sensor** (positive temperature coefficient thermistor): Measured value depends on the number of sensors installed. A PTC sensor has a cold resistance of between 20 and 100 Ohm.
 - With **three** sensors in series, the measured value is between 60 and 300 Ohm.
 - With **four** sensors in series, the measured value is between 80 and 400 Ohm.
- 9.5.5.2 Testing the resistor of the external electrode for sealing chamber control**
Measure the resistor of the electrode with an ohmmeter. The measured value must approach "infinity". For values ≤ 30 kOhm, there is water in the oil – change the oil!
- 9.5.6 Visual inspection of accessories**
The accessories must be checked for:
- Correct attachment
 - Proper function
 - Signs of wear, e.g. cracks caused by vibrations
- Any detected defects must be repaired immediately or the accessories must be replaced.
- 9.5.7 Oil change**

WARNING



Operating fluid under high pressure!

A pressure of **several bar can build up** inside the motor! This pressure escapes **when opening** the screw plugs. Screw plugs opened carelessly can be ejected at high speed! To avoid injuries, observe the following instructions:

- Adhere to the prescribed sequence of work steps.
- Unscrew screw plugs slowly but never fully. As soon as the pressure escapes (audible whistling or hissing of air), do not turn any further!
- When the pressure has fully dissipated, fully unscrew screw plugs.
- Wear closed safety goggles.

WARNING



Scalding due to hot operating fluids!

When the pressure escapes, hot operating fluid can also be ejected. This can result in scalding! To avoid injuries, the following instructions must be observed:

- Allow the mixer to cool to ambient temperature, then open the screw plugs.
- Wear closed safety goggles or face protection as well as gloves.

9.5.7.1 Oil change in seal housing (TR 20-1/28-1, TRE 20)

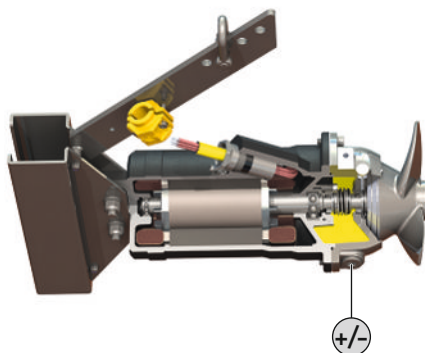


Fig. 13: Oil change

9.5.7.2 Oil change in seal housing (TR 30-1/40-1, TRE 30/40)

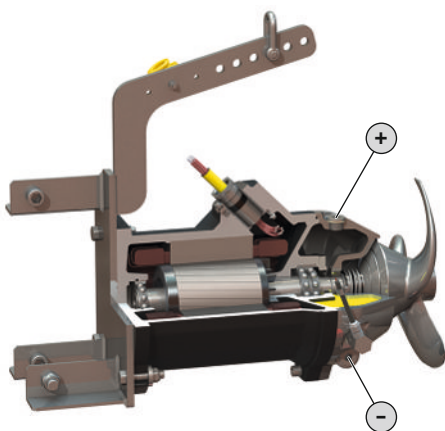


Fig. 14: Oil change

+/-	Drain/fill seal housing oil
-----	-----------------------------

- ✓ Mixer is **not** installed.
 - ✓ Mixer is **not** connected to the power supply.
 - ✓ Protective equipment has been put on!
1. Place the mixer horizontally on a firm surface.
WARNING! Danger of crushing hands. Make sure that the mixer cannot fall over or slip away!
CAUTION! Do not set the mixer down on the propeller! Use an appropriate pedestal for the propeller diameter.
 2. Place a suitable tank to collect the operating fluid.
 3. Unscrew the screw plug (+/-).
 4. Tilt the mixer and allow the operating fluid to drain out.
 5. Check operating fluid: If there are metal filings in the operating fluid, inform customer service!
 6. Dispose of operating fluids according to the local regulations!
 7. Return the mixer to a horizontal position so that the opening points upwards.
 8. Pour the new operating fluid in through the hole for the screw plug (+/-).
⇒ Comply with the specifications for operating fluid type and quantity!
 9. Clean the screw plug (+/-), replace the seal ring and screw it back in. **Max. tightening torque: 8 Nm (5.9 ft·lb)!**
 10. Reapply corrosion protection: Seal screw plug, e.g. with Sikaflex.

+	Fill oil in the seal housing
-	Drain oil in the seal housing

- ✓ Mixer is **not** installed.
 - ✓ Mixer is **not** connected to the power supply.
 - ✓ Protective equipment has been put on!
1. Place the mixer horizontally on a firm surface.
WARNING! Danger of crushing hands. Make sure that the mixer cannot fall over or slip away!
CAUTION! Do not set the mixer down on the propeller! Use an appropriate pedestal for the propeller diameter.
 2. Place a suitable tank to collect the operating fluid.
 3. Unscrew the screw plug (+).
 4. Unscrew the screw plug (-) and allow the operating fluid to drain out.
 5. Check operating fluid: If there are metal filings in the operating fluid, inform customer service!
 6. Dispose of operating fluids according to the local regulations!
 7. Clean the screw plug (-), replace the seal ring and screw it back in. **Max. tightening torque: 8 Nm (5.9 ft·lb)!**
 8. Pour the new operating fluid in through the hole for the screw plug (+).
⇒ Comply with the specifications for operating fluid type and quantity!
 9. Clean the screw plug (+), replace the seal ring and screw it back in. **Max. tightening torque: 8 Nm (5.9 ft·lb)!**
 10. Reapply corrosion protection: Seal screw plug, e.g. with Sikaflex.

9.5.8 General overhaul

The following components are checked for wear and damage as part of general maintenance:

- Motor bearing
- Gear bearing and planetary gear speed
- Propeller
- Shaft seals
- O-rings
- Connection cable
- Attached accessories

Damaged components are replaced with original parts. This will ensure correct operation. The general overhaul is performed by the manufacturer or an authorized service center.

9.6 Repairs

WARNING



The propeller blade has sharp edges!

Sharp edges can form on the propeller blades. There is a risk of limbs being severed. Wear safety gloves to protect against cuts.

WARNING



Hand, foot or eye injuries due to a lack of protective equipment!

During work there is a risk of (serious) injury. Wear the following protective equipment:

- Safety gloves that protect against cuts
- Safety shoes
- Closed safety goggles

The following pre-requisites must be fulfilled prior to starting repair work:

- Mixer cooled to ambient temperature.
- Mixer disconnected from the power supply and secured against being activated inadvertently.
- Mixer must be thoroughly cleaned and disinfected (if required).

For repair work, the following generally applies:

- Immediately collect dripping fluid and operating fluids!
- Always replace O-rings, gaskets and screw locking devices!
- Observe the tightening torques in the appendix!
- Never use force when carrying out this work!

9.6.1 Instructions on using screw locking devices

A screw locking method can be used on the screws. Ex-factory, the screws are locked using two different methods:

- Thread-locking fluid
- Mechanical screw locking device

Always replace the screw locking device!

Thread-locking fluid

When using thread-locking fluid, opt for a medium-strength product (e.g. Loctite 243). This type of compound can be loosened with increased force. If the screw cannot be loosened, then the compound must be heated to approx. 300 °C (572 °F). Clean the components thoroughly after dismantling.

Mechanical screw locking device

The mechanical screw locking device consists of two Nord-Lock wedge lock washers. The screw connection is secured by the clamping force.

9.6.2 Which repair work may be carried out

- Propeller replacement
- Replacement of mechanical seal on the fluid side.
- Replacement of the frame.
- Replacement of mounting bracket for ground installation.

9.6.3 Propeller replacement

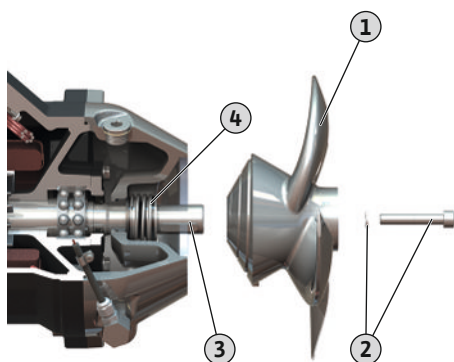


Fig. 15: Propeller replacement

1	Propeller
2	Propeller attachment: internal hexagonal head screw and washer
3	Shaft
4	Mechanical seal

✓ Mixer set down on a firm surface and secured.

✓ Tools are ready for use.

1. Loosen and unscrew the propeller attachment. **NOTICE! Fix the propeller in place with suitable equipment.**
 2. Carefully remove the propeller from the shaft. **CAUTION! The mechanical seal is now no longer secured. Only operate the mixer with the propeller! If the mixer is operated without the propeller, the mechanical seal will be destroyed. If the mechanical seal is faulty, oil escapes from the sealing chamber.**
 3. Clean the shaft and apply new lubricating grease.
 4. Carefully slide the propeller back on as far as it will go.
 5. Coat the interior hexagonal head screw with the thread-locking fluid, insert the washer and screw into the shaft.
 6. Tighten the propeller attachment. Max. tightening torque: see Appendix.
 7. Turn the propeller by hand and check that it rotates easily.
- Propeller is changed. Check the oil in the seal housing and fill up if required.

9.6.4 Replacing the mechanical seal on the fluid side

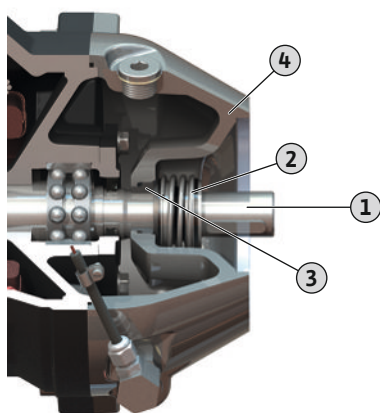


Fig. 16: Replacing mechanical seals

1	Shaft
2	Mechanical seal: spring
3	Mechanical seal: Stationary ring
4	Seal housing

✓ Mixer set down on a firm surface and secured.

✓ Tools are ready for use.

✓ Oil drained from seal housing.

✓ Propeller removed.

1. Remove key from the shaft.
2. Remove the spring of the mechanical seal with support washer from the shaft.
3. Push the stationary ring of the mechanical seal out of the housing and remove from the shaft.
4. Clean the shaft and check for wear and corrosion. **WARNING! Contact customer service if the shaft has been damaged!**
5. Lubricate the shaft using wetted water or detergent. **CAUTION! Do not use oil or grease as lubricants!**
6. Press in a new stationary ring for the mechanical seal into the housing using an assembly unit. **CAUTION! Do not tilt the stationary ring when pushing it in. If the stationary**

ring is tilted or installed at an angle when it is pushed in, the stationary ring will fracture. The mechanical seal can then no longer be used!

7. Insert new spring of the mechanical seal with support washer onto the shaft.
 8. Clean the key and lay it in the groove of the shaft.
 9. Mount propeller.
- Mechanical seal is replaced. Fill oil in the seal housing.

9.6.5 Replacing the frame

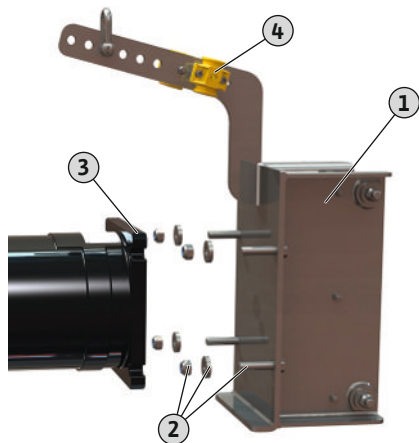


Fig. 17: Replacing the frame

1	Frame
2	4x fixation material: hexagon head screw, washer, hexagon nut
3	Motor flange
4	Cable brackets for strain relief

- ✓ Mixer set down on a firm surface and secured.
 - ✓ Motor supported in such a way that the frame can easily be exchanged.
 - ✓ Tools are ready for use.
1. Open the cable brackets and take out the connection cable.
 2. Undo and remove hexagon nuts.
 3. Remove washers from the hexagon head screws.
 4. Remove the frame from the motor flange.
 5. Clean dirt from the motor flange, e.g. deposits, old sealing material.
 6. Remove hexagon head screws from the frame and insert them in the new frame.
 7. Coat the hexagon head screws with thread-locking fluid.
 8. Place the new frame on the motor flange.
 9. Place washers on the hexagon head screws.
 10. Attach and firmly tighten hexagon nuts. Max. tightening torque: see Appendix.
 11. Lay connection cable in the cable bracket and close the cable bracket. **CAUTION! Do not tighten the cable bracket yet!**
 12. Align the connection cable: The connection cable should be slightly bent, it should not be taut.
 13. Close the cable brackets tightly.
 14. Apply corrosion protection (e.g. Sikaflex):
 - Sealing joint between motor flange and frame.
 - Fill slots on the motor flange up to the washer.
- Frame is changed.

9.6.6 Replacing the mounting bracket for ground installation

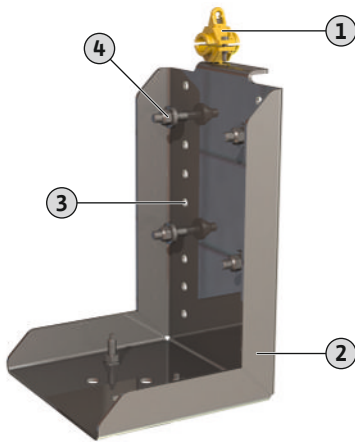


Fig. 18: Mounting bracket for ground installation

1	Cable brackets for strain relief
2	Mounting bracket
3	Height grid
4	4x fixation material: hexagon head screw, washer, hexagon nut

- ✓ Mixer set down on a firm surface.
 - ✓ Ensure work is carried out by two persons!
 - ✓ Tools are ready for use.
1. Open the cable brackets and take out the connection cable.
 2. Undo and remove hexagon nuts.
 3. Remove washers from the hexagon head screws.
 4. Second person: Remove mixer from the mounting bracket and hold the mixer.
 5. Remove hexagon head screws.
 6. Insert hexagon head screws in the new mounting bracket.
 - NOTICE! Observe the height grid! The propeller must not come into contact with the floor!**
 7. Second person: Place the mixer on the hexagon head screws.
 8. Place washers on the hexagon head screws.
 9. Attach and firmly tighten hexagon nuts. Max. tightening torque: see Appendix.
 10. Lay connection cable in the cable bracket and close the cable bracket. **CAUTION! Do not tighten the cable bracket yet!**
 11. Align the connection cable: The connection cable should be slightly bent, it should not be taut.
 12. Close the cable brackets tightly.
- Mounting bracket is changed.

10 Faults, causes and remedies

DANGER



Danger due to fluids which are hazardous to health!

Risk of fatal injury in case of mixers working in fluids hazardous to health! Wear the following protective equipment during work:

- Closed safety goggles
- Breathing mask
- Protective gloves

⇒ The listed equipment is the minimum requirement, observe the information from the work regulations! The operator must ensure that the personnel have received and read the work regulations!

DANGER



Electrocution hazard!

Improper conduct when carrying out electrical work causes death due to electric shock! Electrical work must be carried out by a qualified electrician in accordance with the local regulations.

DANGER**Risk of fatal injury due to dangerous lone working practices!**

Working in pump chambers and tight spaces as well as working where there is a danger of falling is dangerous work. This work must not be carried out alone! A second person must be present for safety reasons.

WARNING**No persons may remain in the working area of the mixer!**

Persons may suffer (serious) injuries while the mixer is in operation! No persons may therefore be present inside the working area. If persons should enter the mixer's working area, deactivate the mixer and secure it against being switched on again by unauthorized persons!

WARNING**The propeller blade has sharp edges!**

Sharp edges can form on the propeller blades. There is a risk of limbs being severed. Wear safety gloves to protect against cuts.

Fault: The mixer does not start up

1. Mains connection interrupted or short-circuit/earth fault in the cable or motor winding.
 - ⇒ Have the connection and motor checked by a qualified electrician and replaced if necessary.
2. Tripping of fuses, of the motor protection switch or the monitoring device.
 - ⇒ Have the connection and monitoring devices checked by a qualified electrician and changed if necessary.
 - ⇒ Have the motor protection switch and fuses installed or set according to the technical specifications; reset the monitoring devices.
 - ⇒ Check that propeller rotates easily, clean propeller and mechanical seal if required.
3. The sealing chamber control (optional) has interrupted the electric circuit (connection-related).
 - ⇒ See "Fault: Mechanical seal leakage, pre-chamber/sealing chamber control reports a fault and switches the mixer off"

Fault: Mixer starts up, motor protection trips after short period

1. The motor protection switch is incorrectly set.
 - ⇒ Have the setting of the trigger checked by a qualified electrician and trimmed.
2. Increased current consumption due to major voltage drop.
 - ⇒ Have the tension values of the individual phases checked by a qualified electrician. Consult the power supply operator.
3. Only two phases present on the connection.
 - ⇒ Have the connection checked and trimmed by a qualified electrician.
4. Voltage differences between the phases are too great.
 - ⇒ Have the tension values of the individual phases checked by a qualified electrician. Consult the power supply operator.
5. Incorrect direction of rotation.
 - ⇒ Have the connection trimmed by a qualified electrician.
6. Increased current consumption due to clogging.

- ⇒ Clean propeller and mechanical seal.
- ⇒ Check the pre-treatment.
- 7. Density of the fluid is too high.
 - ⇒ Check unit configuration.
 - ⇒ Contact customer service.

Fault: Mixer runs but system parameters are not achieved

1. Propeller clogged.
 - ⇒ Clean propeller.
 - ⇒ Check the pre-treatment.
2. Incorrect direction of rotation.
 - ⇒ Have the connection trimmed by a qualified electrician.
3. Signs of wear on propeller.
 - ⇒ Inspect propeller and replace if necessary.
4. Only two phases present on the connection.
 - ⇒ Have the connection checked and trimmed by a qualified electrician.

Fault: Mixer does not run smoothly and is noisy

1. Impermissible duty point.
 - ⇒ Check fluid density and viscosity.
 - ⇒ Inspect system configuration, contact customer service.
2. Propeller clogged.
 - ⇒ Clean propeller and mechanical seal.
 - ⇒ Check the pre-treatment.
3. Only two phases present on the connection.
 - ⇒ Have the connection checked and trimmed by a qualified electrician.
4. Incorrect direction of rotation.
 - ⇒ Have the connection trimmed by a qualified electrician.
5. Signs of wear on propeller.
 - ⇒ Inspect propeller and replace if required.
6. Motor bearing is worn.
 - ⇒ Inform customer service; send the mixer back to the factory for overhauling.

Further steps for troubleshooting

If the points listed here do not rectify the fault, contact customer service. Customer service can provide further assistance as follows:

- Support by telephone or in writing.
- On-site support.
- Inspection and repair at the factory.

Costs may be incurred for some services from customer service! Please contact customer service for more information.

11 Spare parts

Spare parts can be ordered from customer service. To avoid return queries and incorrect orders, the serial or article number must always be given. **Subject to change without prior notice!**

12 Disposal

- 12.1 Oils and lubricants**
Operating fluid must be collected in suitable tanks and disposed of in accordance with the locally applicable guidelines.
- 12.2 Protective clothing**
Used protective clothing must be disposed of in accordance with the locally applicable guidelines.
- 12.3 Information on the collection of used electrical and electronic products**
Proper disposal and appropriate recycling of this product prevents damage to the environment and dangers to your personal health.

NOTICE**Disposal in domestic waste is forbidden!**

In the European Union, this symbol can appear on the product, the packaging or the accompanying documentation. It means that the electrical and electronic products in question must not be disposed of along with domestic waste.

To ensure proper handling, recycling and disposal of the used products in question, please note the following points:

- Only hand over these products at designated, certified collecting points.
- Observe the locally applicable regulations!

Please consult your local municipality, the nearest waste disposal site, or the dealer who sold the product to you for information on proper disposal. For further information on recycling, go to www.wilo-recycling.com.

13 Appendix**13.1 Tightening torques****Rust-free screws A2/A4**

Thread	Tightening torque		
	Nm	kp m	ft-lb
M5	5.5	0.56	4
M6	7.5	0.76	5.5
M8	18.5	1.89	13.5
M10	37	3.77	27.5
M12	57	5.81	42
M16	135	13.77	100
M20	230	23.45	170
M24	285	29.06	210
M27	415	42.31	306
M30	565	57.61	417

If a Nord-Lock screw locking device is used, then increase the tightening torque by 10 %!

13.2 Operation with frequency converter

The motor in series design (confirming to IEC 60034-17) can be operated with a frequency converter. Contact customer service if the rated voltage is over 415 V/50 Hz or 480 V/60 Hz. Because of the additional heating caused by harmonics, the rated power of the motor must be around 10 % more than the power requirement of the mixer. For frequency converters with a low-harmonic output, it may be possible to reduce the 10 % power reserve. A reduction of the harmonic waves is achieved with output filters. The frequency converter and filter must be compatible.

The configuration of the frequency converter depends on the rated motor current. Care must be taken to ensure that the mixer operates without jerking or vibrating, especially in the lower speed range. Otherwise, the mechanical seals can leak or be damaged. It is impor-

tant that the mixer operates across the entire control range without vibrations, resonance, oscillation or excessive noise. Increased motor noise caused by the harmonics of the power supply is normal.

During parameterization of the frequency converter, observe the setting of the quadratic curve (U/f curve) for submersible motor and fans! The U/f curve ensures that the output voltage at frequencies less than the rated frequency (50 Hz or 60 Hz) is adjusted to the power requirement of the mixer. Newer frequency converters feature an automatic power optimization function – this automation achieves the same effect. For the frequency converter setting, refer to its installation and operating instructions.

Faults with the motor monitoring may occur on motors operated with a frequency converter depending on the type used and installation conditions present. The following measures can help to reduce or avoid these faults:

- Keeping within the limit values stated in IEC 60034–25 for the voltage peaks and rise speed. Output filters may need to be installed.
- Vary the pulse frequency of the frequency converter.
- In the event of a fault on the internal sealing chamber control, use the external double-rod electrode.

The following construction measures can also help to reduce or prevent faults:

- Separate power supply cables for the main and control cable (depending on the motor size).
- When laying, ensure there is adequate clearance between the main and control cable.
- Use shielded power supply cables.

Summary

- Continuous duty up to rated frequency (50 Hz or 60 Hz).
- Observe additional measures with regard to EMC regulations (choice of frequency converter, using filters, etc.).
- Never exceed the rated current or rated speed of the motor.
- It must be possible to connect the motor's own temperature monitor (bimetallic strip or PTC sensor).

13.3 Ex rating

This section contains further information on the operation of the mixer in an explosive atmosphere. All personnel must read this section. **This section applies only to Ex-rated mixers!**

13.3.1 Identification of Ex-rated mixers

For use in explosive atmospheres, the mixer must be marked as follows on the rating plate:

- “Ex” symbol for the relevant approval
- Ex classification
- Certification number (depending on the approval)

The certification number, if required by the approval, is printed on the rating plate.

13.3.2 Protection class

The motor's design version corresponds to the following protection classes:

- Flameproof enclosure (ATEX)
- Explosionproof (FM)
- Flameproof enclosures (CSA-EX)

In order to limit the surface temperature, the motor must be equipped with at least one temperature limiter (1-circuit temperature monitoring). A temperature controller (2-circuit temperature monitoring) is possible.

13.3.3 Intended use

ATEX approval

The mixers are suitable for operation in potentially explosive atmospheres:

- Device group: II
- Category: 2, zone 1 and zone 2

Mixers must not be used in zone 0!

FM approval

The mixers are suitable for operation in potentially explosive atmospheres:

- Protection class: Explosionproof
- Category: Class I, Division 1
Notice: If the cabling is carried out according to Division 1, installation in Class I, Division 2 is also permitted.

CSA Ex approval

The mixers are suitable for operation in potentially explosive atmospheres:

- Protection class: Explosion-proof
- Category: Class I Division 1

13.3.4 Electrical connection

DANGER



Electrocution hazard!

Improper conduct when carrying out electrical work causes death due to electric shock! Electrical work must be carried out by a qualified electrician in accordance with the local regulations.

- Always connect the mixer to an electrical outlet outside the explosive area. If the connection must be made within the explosive area, then the connection must be carried out in an Ex-rated housing (ignition protection class according to DIN EN 60079-0)! Non-observance may lead to a risk of fatal injury due to explosion! Connection must always be carried out by a qualified electrician.
- All monitoring devices outside the “spark-proof areas” must be connected via an intrinsically safe circuit (e.g. Ex-i relay XR-4...).
- The voltage tolerance may not be higher than max. $\pm 10\%$.

Overview of possible monitoring devices:

Type	OPTI-TR 20-1	EXCEL-TRE 20	OPTI-TR 28-1	OPTI-TR 30-1	EXCEL-TRE 30	OPTI-TR 40-1	EXCEL-TRE 40
Motor compartment	o	o	o	–	–	–	–
Motor winding: Temperature limiter	•	•	•	o	o	o	o
Motor winding: Temperature controller and limiter	o	o	o	•	•	•	•
Sealing chamber (external pencil electrode)	o	o	o	o	o	o	o

Legend

– = not available/possible, o = optional, • = standard

13.3.4.1 Monitoring the motor winding

DANGER



Risk of explosion due to overheating of the motor!

If the temperature limiter is connected incorrectly, there is risk of explosion due to overheating of the motor! Always connect the temperature limiter to a manual reactivation lock. This means that a “release button” must be manually activated!

Depending on the version of the thermal motor monitoring, the following triggering status must occur when the threshold value is reached:

- Temperature limiter (1 temperature circuit):
When the threshold is reached, deactivation **with reactivation lock** must take place!

- Temperature controller and limiter (2 temperature circuits):
When the threshold for the low temperature is reached, the motor can deactivate with automatic reactivation. When the threshold for the high temperature is reached, the motor must deactivate **with reactivation lock!**

CAUTION! Motor damage due to overheating! In the event of automatic reactivation, comply with the specifications for the maximum switching frequency and switching break!

Connection of the thermal motor monitoring

- Connect the bimetallic strip via an evaluation relay. Relay "CM-MSS" is recommended for this. The threshold is preset.
Connection values: max. 250 V(AC), 2.5 A, $\cos \varphi = 1$
- Connect the PTC sensor via an evaluation relay. Relay "CM-MSS" is recommended for this. The threshold is preset.
- Connect the external pencil electrode via an Ex-rated evaluation relay! Relay "XR-4..." is recommended for this.
The threshold is 30 kOhm.
- The connection must be made using an intrinsically safe circuit!
- Type of converter: Pulse-width modulation
- Continuous duty: 30 Hz up to rated frequency (50 Hz or 60 Hz).
- Min. switching frequency: 4 kHz
- Max. overvoltages on the terminal board: 1350 V
- Output current on the frequency converter: max. 1.5 times rated current
- Max. overload time: 60 s
- Torque applications: quadratic curve
Speed/torque curves required are available on request!
- Observe additional measures with regard to EMC regulations (choice of frequency converter, filters, etc.).
- Never exceed the rated current or rated speed of the motor.
- It must be possible to connect the motor's own temperature monitor (bimetallic strip or PTC sensor).
- If the temperature class is marked as T4/T3, temperature class T3 applies.

13.3.4.2 Sealing chamber monitoring (external electrode)

13.3.4.3 Operation on frequency converter

13.3.5 Commissioning

DANGER



Risk of explosion when using non-Ex-rated mixers!

Risk of fatal injury due to explosion! Only use mixers which have Ex labelling on the rating plate within potentially explosive areas.

- The operator is responsible for defining the potentially explosive area.
- Only Ex-rated mixers may be used within potentially explosive areas.
- Mixers with Ex approval must be labelled as such on the rating plate.
- Do not exceed the **max. fluid temperature!**
- According to DIN EN 50495, a safety device with SIL level 1 and hardware fault tolerance 0 must be provided for category 2.

13.3.6 Maintenance and repair

- Carry out maintenance tasks according to the regulations.
- Only perform maintenance work which is described in these 'Installation and operating instructions'.
- The spark-proof gaps may **only** be repaired according to the manufacturer's design specifications. It is **not** permitted to carry out repairs according to the values in tables 1 and 2 of DIN EN 60079-1.
- Only use screw plugs as stipulated by the manufacturer, that at least correspond to a strength class of 600 N/mm² (38.85 long tons-force/inch²).

13.3.6.1 Repair of housing coating

The paint layer can become electrostatically charged in case of thicker coats. **DANGER! Risk of explosion! In explosive atmospheres, a discharge can cause an explosion!**

13.3.6.2 Replacing the connection cable

If the housing coating has to be repaired, the maximum coat thickness is 2 mm (0.08 in)!

Changing the connection cable is strictly prohibited!

13.3.6.3 Changing the mechanical seal

Changing the seal on the motor side is strictly prohibited!

Table of Contents

1	Generalidades	54
1.1	Acerca de estas instrucciones	54
1.2	Indicación de conformidad	54
1.3	Derechos de autor	54
1.4	Reservado el derecho de modificación	54
1.5	Garantía	54
2	Seguridad	54
2.1	Identificación de las indicaciones de seguridad	55
2.2	Cualificación del personal	56
2.3	Trabajos eléctricos	57
2.4	Dispositivos de vigilancia	57
2.5	Uso de medios perjudiciales para la salud	57
2.6	Transporte	57
2.7	Trabajos de montaje/desmontaje	58
2.8	Durante el funcionamiento	58
2.9	Trabajos de mantenimiento	59
2.10	Material de servicio	59
2.11	Obligaciones del operador	59
3	Utilización	60
3.1	Uso previsto	60
3.2	Aplicación no prevista	60
4	Descripción del producto	60
4.1	Diseño	60
4.2	Dispositivos de vigilancia	61
4.3	Modos de funcionamiento	62
4.4	Funcionamiento con convertidor de frecuencia	62
4.5	Funcionamiento en atmósferas explosivas	63
4.6	Placa de características	63
4.7	Código	64
4.8	Suministro	64
4.9	Accesorios	64
5	Transporte y almacenamiento	64
5.1	Entrega	65
5.2	Transporte	65
5.3	Almacenamiento	66
6	Instalación y conexión eléctrica	67
6.1	Cualificación del personal	67
6.2	Obligaciones del operador	67
6.3	Tipos de instalación	67
6.4	Instalación	67
6.5	Conexión eléctrica	74
7	Puesta en marcha	79
7.1	Cualificación del personal	79
7.2	Obligaciones del operador	79
7.3	Control del sentido de giro	79
7.4	Funcionamiento en atmósferas explosivas	80
7.5	Antes de la conexión	81
7.6	Conexión y desconexión	81
7.7	Durante el funcionamiento	81

8	Puesta fuera de servicio/desmontaje	82
8.1	Cualificación del personal	82
8.2	Obligaciones del operador	82
8.3	Puesta fuera de servicio	82
8.4	Desmontaje	83
9	Mantenimiento	85
9.1	Cualificación del personal	86
9.2	Obligaciones del operador	86
9.3	Material de servicio	86
9.4	Intervalos de mantenimiento	87
9.5	Medidas de mantenimiento	87
9.6	Trabajos de reparación	90
10	Averías, causas y soluciones	94
11	Repuestos	96
12	Eliminación	96
12.1	Aceites y lubricantes	96
12.2	Ropa protectora	96
12.3	Información sobre la recogida de productos eléctricos y electrónicos usados	96
13	Anexo	97
13.1	Pares de apriete	97
13.2	Funcionamiento con convertidor de frecuencia	97
13.3	Homologación para uso en zonas explosivas	98

1 Generalidades

1.1 Acerca de estas instrucciones

Las instrucciones de instalación y funcionamiento son una parte integrante del producto. Antes de realizar cualquier actividad, lea estas instrucciones y consérvelas en un lugar accesible en todo momento. Para un uso previsto y el correcto manejo del producto se requiere la minuciosa observación de las presentes instrucciones. Se deben observar todos los datos e indicaciones del producto.

El idioma de las instrucciones de funcionamiento originales es el alemán. Las instrucciones en los restantes idiomas son una traducción de las instrucciones de funcionamiento originales.

1.2 Indicación de conformidad

Este producto ha sido desarrollado y fabricado siguiendo las directivas de productos CE aplicables al mismo que han de cumplir los artículos comercializados en la UE.

Por ello, este producto satisface las exigencias de seguridad y sanitarias generales estipuladas por el derecho comunitario de la UE relevantes para el mismo, las normas europeas relevantes publicadas y las normas alemanas reconocidas internacionalmente.

Puesto que este producto no se destina al Espacio Económico Europeo, no cuenta con el marcado CE. **La puesta en circulación en el Espacio Económico Europeo no está permitida.**

1.3 Derechos de autor

El fabricante sigue siendo el titular de los derechos de autor de estas instrucciones de instalación y funcionamiento. Los contenidos de cualquier tipo no deben reproducirse, distribuirse, aprovecharse sin autorización para beneficio de la competencia ni divulgarse a terceras personas.

1.4 Reservado el derecho de modificación

El fabricante se reserva el derecho de realizar modificaciones técnicas en el producto o los componentes individuales. Las ilustraciones utilizadas pueden diferir del original y sirven como representación a modo de ejemplo del producto.

1.5 Garantía

La prestación de garantía y el periodo de garantía se rigen, en general, por los datos incluidos en las «Condiciones generales de venta» actuales. Estos pueden consultarse en: www.wilo.com/legal

Cualquier divergencia al respecto deberá estipularse contractualmente y dársele un trato prioritario.

Derecho de garantía

Si se cumplen los siguientes puntos, el fabricante se compromete a reparar cualquier defecto de calidad o construcción:

- Los defectos deben comunicarse por escrito al fabricante dentro del periodo de garantía.
- Utilización según el uso previsto.
- Todos los dispositivos de vigilancia están conectados y se han comprobado antes de la puesta en marcha.

Exclusión de responsabilidad

Una exclusión de responsabilidad exime de cualquier responsabilidad por lesiones personales y daños materiales o patrimoniales. Esta exclusión se aplica en cuanto se dé uno de los siguientes puntos:

- Dimensionamiento insuficiente debido a datos insuficientes o incorrectos del operador o el contratante
- Incumplimiento de estas instrucciones de instalación y funcionamiento
- Uso no previsto
- Almacenamiento o transporte incorrectos
- Montaje o desmontaje incorrectos
- Mantenimiento deficiente
- Reparación no permitida
- Terreno deficiente
- Influencias químicas, eléctricas o electroquímicas
- Desgaste

2 Seguridad

Este capítulo contiene indicaciones básicas para cada una de las fases de la vida útil. Un incumplimiento de estas indicaciones puede causar los siguientes daños:

- Lesiones personales debidas a causas eléctricas, mecánicas o bacteriológicas, así como campos electromagnéticos
- Daños en el medioambiente debidos a derrames de sustancias peligrosas
- Daños materiales
- Fallos en funciones importantes del producto

El incumplimiento de las indicaciones conlleva la pérdida de los derechos de reclamación de daños y perjuicios.

Además observe las instrucciones y las indicaciones de seguridad de los capítulos posteriores.

2.1 Identificación de las indicaciones de seguridad

En estas instrucciones de instalación y funcionamiento se emplean indicaciones de seguridad relativas a daños materiales y lesiones personales. Las indicaciones de seguridad se representan de distintas maneras:

- Las instrucciones de seguridad para lesiones personales comienzan con una palabra identificativa, tienen el **símbolo correspondiente** antepuesto y un fondo gris.

PELIGRO



Tipo y fuente del peligro

Repercusiones del peligro e indicaciones para evitarlo.

- Las instrucciones de seguridad para daños materiales comienzan con una palabra identificativa y no tienen **ningún** símbolo.

ATENCIÓN

Tipo y fuente del peligro

Repercusiones o información.

Palabras identificativas

- **PELIGRO**
El incumplimiento provoca lesiones graves o incluso la muerte.
- **ADVERTENCIA**
El incumplimiento puede provocar lesiones (graves).
- **ATENCIÓN**
El incumplimiento puede provocar daños materiales, incluso existe la posibilidad de un siniestro total.
- **AVISO**
Información útil para el manejo del producto.

Distinciones del texto

✓ Requisito

1. Paso de trabajo/enumeración

⇒ Indicación/instrucción

► Resultado

Símbolos

En estas instrucciones se usan los siguientes símbolos:



Peligro por tensión eléctrica

	Peligro por infección bacteriana
	Peligro debido a atmósfera explosiva
	Símbolo de advertencia general
	Advertencia de cortes
	Advertencia de superficies calientes
	Advertencia de alta presión
	Advertencia de carga suspendida
	Equipo de protección individual: utilizar casco protector
	Equipo de protección individual: utilice calzado de protección
	Equipo de protección individual: utilizar guantes de protección
	Equipo de protección individual: utilice arnés de seguridad
	Equipo de protección individual: utilice mascarilla
	Equipo de protección individual: utilizar gafas protectoras
	Prohibido trabajar solo. Debe estar presente una segunda persona.
	Indicación útil

2.2 Cualificación del personal

El personal debe:

- Haber recibido formación sobre las normas de prevención de accidentes vigentes a nivel local.
- Haber leído y comprendido las instrucciones de instalación y funcionamiento.

El personal debe poseer las siguientes cualificaciones:

- Trabajos eléctricos: un electricista especializado debe realizar los trabajos eléctricos.

- Trabajos de elevación: el personal especializado está formado para operar los dispositivos de elevación. Certificación según la normativa BGV D8 o normativas locales.
- Trabajos de montaje/desmontaje: el personal especializado debe tener formación sobre el manejo de las herramientas necesarias y los materiales de fijación requeridos para el terreno existente.
- Trabajos de mantenimiento: el personal especializado debe estar familiarizado con el manejo de los materiales de servicio usados y su eliminación. Además, el personal especializado debe tener conocimientos básicos sobre la construcción de máquinas.

Definición de «Electricista especializado»

Un electricista especializado es una persona con una formación especializada, conocimientos y experiencia adecuados que le permiten detectar y evitar los peligros de la electricidad.

2.3 Trabajos eléctricos

- Confíe los trabajos eléctricos a un electricista especializado.
- Desconecte el producto de la red eléctrica y asegúrelo contra reconexiones antes de realizar cualquier trabajo.
- Cumpla las normativas locales al conectar la corriente.
- Cumpla las especificaciones de la compañía eléctrica local.
- Instruya al personal sobre la ejecución de la conexión eléctrica.
- Instruya al personal sobre las posibilidades de desconexión del producto.
- Respete los datos técnicos de estas instrucciones de instalación y funcionamiento, así como los de la placa de características.
- Conecte el producto a tierra.
- Cumpla las normativas sobre la conexión a la instalación de distribución eléctrica.
- Si se emplean controles de arranque electrónicos (por ejemplo: dispositivos de arranque progresivo o convertidores de frecuencia), se deben cumplir las normativas de compatibilidad electromagnética. Si es necesario, tenga en cuenta medidas especiales (por ejemplo, cable apantallado, filtro, etc.).
- Sustituya el cable de conexión defectuoso. Contacte con el servicio técnico.

2.4 Dispositivos de vigilancia

Los siguientes dispositivos de vigilancia corren a cargo del propietario:

Interruptor automático

El tamaño y la característica de conmutación del interruptor automático dependen de la intensidad nominal del producto conectado. Tenga en cuenta los reglamentos locales.

Guardamotor

En productos que no vengan con enchufe, instalar un guardamotor a cargo del propietario. El requisito mínimo es contar con un relé térmico/guardamotor con compensación de temperatura, desconexión diferencial y bloqueo de reconexión de conformidad con las normativas locales. Para la conexión a redes eléctricas sensibles, se recomienda la instalación de dispositivos de protección (por ejemplo, relés de sobretensión, de baja tensión, de interrupción de fase, etc.) a cargo del propietario.

Interruptor diferencial (RCD)

Se deben cumplir las normativas de la compañía eléctrica local. Se recomienda utilizar un interruptor diferencial.

Si las personas pueden entrar en contacto con el producto y con líquidos conductivos, se debe asegurar la conexión **con** un interruptor diferencial (RFD).

2.5 Uso de medios perjudiciales para la salud

Al usar el producto en entornos perjudiciales para la salud, existe peligro de infección bacteriana. Se debe limpiar y desinfectar minuciosamente el producto tras el desmontaje y antes de cada utilización. El operador debe asegurar los siguientes puntos:

- Durante la limpieza del producto, se debe facilitar y utilizar el siguiente equipo de protección:
 - Gafas de protección cerradas
 - Máscara respiratoria
 - Guantes de protección
- Todos deben estar informados sobre cómo se ha de usar el fluido, sobre cuáles son sus peligros asociados y sobre el manejo apropiado del mismo.

2.6 Transporte

- Peligro de lesiones por golpes o aplastamientos. Utilice el siguiente equipo de protección:

- Calzado de seguridad
- Casco protector
- Respete las leyes y normativas vigentes sobre la seguridad del trabajo y para evitar accidentes en el lugar de aplicación.
- Señale la zona de trabajo.
- Mantenga al personal no autorizado fuera de la zona de trabajo.
- Cumpla las normativas de embalaje:
 - Resistente a los golpes
 - Asegure la fijación del producto.
 - Protección contra polvo, aceite y humedad.
- Utilice únicamente mecanismos de elevación y medios de fijación permitidos y especificados por la legislación.
- Seleccione los medios de fijación según las condiciones existentes (condiciones atmosféricas, punto de anclaje, carga, etc.).
- Fije siempre los medios de fijación por los puntos de anclaje y compruebe que estén correctamente colocados.
- Se debe garantizar la estabilidad del mecanismo de elevación durante su uso.
- Si se utilizan mecanismos de elevación, en caso de necesidad (por ejemplo: vista obstaculizada) deberá recurrirse a una segunda persona que coordine los trabajos.
- Una vez se eleve el producto, manténgalo fuera de la zona de giro del mecanismo de elevación.
- No está permitido que las personas permanezcan debajo de cargas suspendidas. **No** desplace cargas sobre los puestos de trabajo en los que se hallen personas.

2.7 Trabajos de montaje/desmontaje

- Peligro de lesiones por:
 - Deslizamientos
 - Tropezos
 - Golpes
 - Aplastamientos
 - Caídas
- Lleve puesto el siguiente equipo de protección:
 - Calzado de seguridad
 - Guantes de protección contra cortes
 - Casco protector
 - Protección contra caídas
- Respete las leyes y normativas vigentes sobre la seguridad del trabajo y la prevención de accidentes en el lugar de aplicación.
- Señale la zona de trabajo.
- Mantenga la zona de trabajo sin hielo.
- Mantenga la zona de trabajo sin objetos esparcidos.
- Si las condiciones meteorológicas no permiten realizar trabajos de forma segura, interrumpa los trabajos.
- Mantenga al personal no autorizado fuera de la zona de trabajo.
- Los trabajos deben ser realizados siempre por dos personas.
- En caso de que la altura de trabajo sea superior a 1 m (3 ft), utilice un andamio con protección contra caídas.
- Acordone la zona de trabajo alrededor del andamio.
- Desconecte el producto de la red eléctrica y asegúrelo contra reconexiones no autorizadas.
- Todas las piezas giratorias deben estar paradas.
- Asegure que no exista peligro de explosión durante los trabajos con aparatos eléctricos.
- Utilice solamente un mecanismo de elevación en perfecto estado técnico.
- Una vez se eleve el producto, manténgalo fuera de la zona de giro del mecanismo de elevación.
- Durante los trabajos en obras o espacios cerrados se pueden acumular gases tóxicos o asfijantes. Procure que haya aeración suficiente y cumpla las medidas de protección conforme al reglamento interno (ejemplos):
 - Realice una medición de gas antes de entrar.
 - Lleve consigo un detector de gases.
 - Etc.

2.8 Durante el funcionamiento

- No se puede permanecer en la zona de trabajo del producto. No debe haber personas en la zona de trabajo durante el funcionamiento.
- Utilice el equipo de protección conforme a la indicación del reglamento interno.

- El operario deberá informar inmediatamente a su responsable sobre cada avería o irregularidad.
- Si aparecen averías que pongan en peligro la seguridad, el operario debe realizar la desconexión de inmediato:
 - Avería en los dispositivos de seguridad y vigilancia
 - Daños en las piezas de la carcasa
 - Daños en los dispositivos eléctricos
- La hélice no debe golpear contra elementos instalados ni las paredes del lugar de trabajo. Mantenga las distancias definidas con respecto a los elementos instalados y las paredes del depósito según la documentación de planificación.
- Si el nivel de agua oscila significativamente, asegure la cobertura de agua requerida con un control del nivel.
- En condiciones de funcionamiento normales, el producto tiene una presión acústica por debajo de 85 dB(A). No obstante, la presión acústica real depende de varios factores:
 - Profundidad de montaje
 - Tipo de instalación
 - Utilización
 - Profundidad de inmersión

2.9 Trabajos de mantenimiento

- Peligro de lesiones por aplastamiento y material de servicio caliente. Lleve puesto el siguiente equipo de protección:
 - Gafas de protección cerradas
 - Guantes de protección
 - Calzado de seguridad
- Realice los trabajos de mantenimiento siempre fuera del lugar de trabajo.
- Solo puede llevar a cabo los trabajos de mantenimiento descritos en estas instrucciones de instalación y funcionamiento.
- Para el mantenimiento y la reparación utilice únicamente piezas originales del fabricante. El uso de piezas no originales exime al fabricante de toda responsabilidad.
- Recoja inmediatamente el fluido que gotee y el material de servicio y elimínelos según las directivas locales vigentes.

Cambio del material de servicio

Si el motor presenta un defecto, en la cámara de obturación se puede generar una presión de **varios bares**. Esta presión se escapa **al abrir** el tapón roscado. Los tapones roscados que se hayan dejado sueltos por un descuido pueden salir disparados a gran velocidad. Para evitar lesiones, tenga en cuenta las siguientes instrucciones:

- Respete el orden establecido de los pasos de trabajo.
 - Retire los tapones roscados despacio y nunca del todo. En cuanto se escapa la presión (silbido o pitido audible del aire), no se debe seguir girando.
- ¡ADVERTENCIA! Si se escapa la presión, también se puede salpicar el material de servicio. Se pueden producir escaldaduras. Para evitar lesiones deje enfriar el motor a temperatura ambiente antes de realizar cualquier trabajo.**
- Espere hasta que la presión haya escapado completamente para sacar completamente el tapón roscado.

2.10 Material de servicio

El alojamiento de la junta está lleno de aceite blanco. Sustituya el material de servicio durante los trabajos de mantenimiento periódicos y elimínelo según las directivas locales.

2.11 Obligaciones del operador

- Facilite al personal las instrucciones de instalación y funcionamiento en su idioma.
- Asegure la formación necesaria del personal para los trabajos indicados.
- Facilite el equipo de protección necesario y asegúrese de que el personal lo utiliza.
- Las placas de identificación y seguridad colocadas en el producto siempre deben mantenerse legibles.
- Forme al personal sobre el funcionamiento de la instalación.
- Elimine los peligros debidos a la energía eléctrica.
- Señale y asegure la zona de trabajo.
- Para un desarrollo seguro del trabajo, defina la distribución de trabajo del personal.
- Si el producto opera en el funcionamiento normal, realice una medición de la presión acústica. Si la presión acústica supera los 85 dB(A), utilice protección auditiva y registre la indicación en el reglamento interno.

3 Utilización

3.1 Uso previsto

Los agitadores son aptos para el funcionamiento intermitente y el funcionamiento continuo en aguas sucias y residuales (con y sin residuos fecales), así como lodos:

- Para la generación de flujo
- Para la suspensión de sustancias sólidas
- Para la homogeneización

El cumplimiento de estas instrucciones también forma parte del uso previsto. Toda aplicación que no figure en las instrucciones se considerará como no prevista.

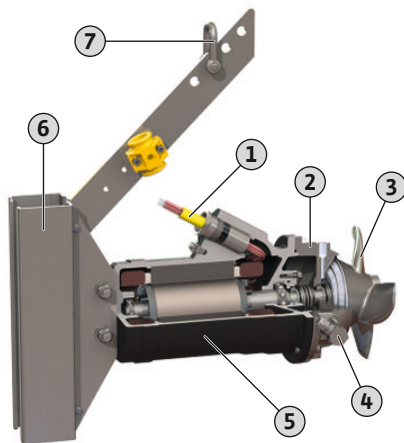
3.2 Aplicación no prevista

Los agitadores no se deben utilizar en:

- Agua potable
- Líquidos no newtonianos
- Fluidos bastante contaminados con componentes duros como piedras, madera, metales, arena, etc.
- Fluidos líquidos fácilmente inflamables y combustibles

4 Descripción del producto

4.1 Diseño



El agitador de motor sumergible consta de los siguientes componentes:

1	Cable de conexión
2	Carcasa de la junta
3	Hélice
4	Electrodo de varilla (opcional)
5	Motor
6	Bastidor de dispositivo de bajada
7	Punto de anclaje

Fig. 1: Vista general del agitador de motor sumergible

4.1.1 Hélice

La hélice de material macizo con borde de ataque curvado hacia atrás. **¡AVISO! No saque la hélice a la superficie durante el funcionamiento. Respete los datos sobre la cobertura mínima de agua.**

	OPTI-TR 20-1...	EXCEL-TRE 20...	OPTI-TR 28-1...	OPTI-TR 30-1...	EXCEL-TRE 30...	OPTI-TR 40-1...	EXCEL-TRE 40...
Díámetro nominal en mm (in)	200 (8)	200 (8)	280 (11)	300 (11,5)	300 (11,5)	400 (16)	400 (16)
Número de palas	3	3	2	3	3	3	3
1.4408 (ASTM A 351)	•	•	•	•	•	•	•

• = de serie, – = no disponible, o = opcional
 * = hélices muy resistentes al desgaste de compuesto PUR/GFK (PUR/GFRP) con borde de proa reforzado.

4.1.2 Motor

Se utiliza un motor con refrigeración superficial en ejecución de corriente trifásica como accionamiento. El motor está equipado con rodamientos de bolas libres de mantenimiento, lubricados de forma permanente y suficientemente dimensionados. La refrigeración se consigue gracias al fluido circundante. El calor residual se disipa a través de la carcasa del motor y va a parar al fluido.

El cable de conexión está sellado de manera impermeable al agua a presión y es longitudinalmente estanco contra el fluido. El cable de conexión tiene extremos de cable libres y la longitud estándar es de 10 m (33 ft). Longitudes mayores bajo pedido.

	OPTI-TR...	EXCEL-TRE...
Temperatura del fluido	3...40 °C (37...104 °F)	3...40 °C (37...104 °F)
Tipo de protección	IP68	IP68
Clase de aislamiento	H	H
Número de polos	4, 6, 8	4, 6
Frecuencia máxima de arranque	15/h	15/h
Profundidad de inmersión máxima	20 m (66 ft)	20 m (66 ft)
Protección antideflagrante	ATEX, FM, CSA	ATEX, FM
Modo de funcionamiento, sumergido	S1	S1
Modo de funcionamiento, en la superficie	-	-
Clase de rendimiento del motor	-	IE3
Material de la carcasa	EN-GJL-250 (ASTM A48 Class 35/40B)	EN-GJL-250 (ASTM A48 Class 35/40B)

4.1.3 Sellado

Entre el motor y la hélice se encuentra el alojamiento de la junta con un sellado en el lado del motor y en el lado del medio. El sellado en el lado del medio se realiza mediante un cierre mecánico. El sellado del lado del motor se realiza con un anillo retén radial o un cierre mecánico. El alojamiento de la junta está lleno de aceite blanco y recoge el escape del sellado en el lado del medio.

	OPTI-TR 20-1	EXCEL-TRE 20...	OPTI-TR 28-1...	OPTI-TR 30-1...	EXCEL-TRE 30...	OPTI-TR 40-1...	EXCEL-TRE 40...
Sellado							
Lado del fluido: SiC/SiC	•	•	•	•	•	•	•
Lado del motor: NBR (nitrilo)	-	-	-	•	•	•	•
Lado del motor: SiC/SiC	•	•	•	-	-	-	-
Material de la carcasa							
1.4408 (ASTM A 351)	•	•	•	•	•	•	•

4.2 Dispositivos de vigilancia

Vista general de los dispositivos de vigilancia posibles:

	OPTI-TR 20-1...	EXCEL-TRE 20...	OPTI-TR 28-1...	OPTI-TR 30-1...	EXCEL-TRE 30...	OPTI-TR 40-1...	EXCEL-TRE 40...
--	-----------------	-----------------	-----------------	-----------------	-----------------	-----------------	-----------------

Dispositivos de vigilancia internos

Compartimento del motor	o	o	o	-	-	-	-
Compartimento del motor/cámara de separación*	-	-	-	o	o	o	o
Bobina del motor**	•	•	•	•	•	•	•

Dispositivos de vigilancia externos

Cámara de separación	o	o	o	o	o	o	o
----------------------	---	---	---	---	---	---	---

Leyenda

- = no disponible/no es posible, o = opcional, • = de serie

* En la ejecución para áreas con riesgo de explosión se omite esta vigilancia sin sustitución.

** De manera estándar hay montado un delimitador de temperatura. En la ejecución para áreas con riesgo de explosión se han instalado un regulador de temperatura y un delimitador de temperatura según ATEX.

Todos los dispositivos de vigilancia deben estar siempre conectados.

Vigilancia del compartimento del motor

La vigilancia del compartimento del motor protege a la bobina del motor de un cortocircuito. Un electrodo registra la humedad.

Vigilancia del compartimento del motor y de la cámara de separación

La vigilancia del compartimento del motor protege a la bobina del motor de un cortocircuito. El control de la sección impermeable registra la entrada de fluidos a través del cierre mecánico en el lado del medio. Un electrodo registra la humedad del compartimento del motor y de la cámara de separación.

¡AVISO! Esta vigilancia se omite en la ejecución para áreas con riesgo de explosión.

Vigilancia de bobina del motor

El control térmico del motor protege el bobinado del motor contra sobrecalentamiento. De forma estándar, hay montada una limitación de temperatura con sensor bimetalico.

Opcionalmente, un sensor PTC también puede registrar la temperatura. Además, el control térmico del motor también puede ejecutarse como una regulación de temperatura. De este modo es posible registrar dos temperaturas. Cuando se alcance la temperatura mínima y tras enfriarse el motor, se puede volver a conectar automáticamente. En cuanto se alcance la temperatura máxima, deberá producirse una desconexión con bloqueo de reconexión.

Vigilancia externa de la cámara de separación

La cámara de separación se puede equipar con un electrodo de varilla externo. El electrodo registra la entrada de fluidos a través del cierre mecánico en el lado del medio. Mediante el control de la bomba se puede, por lo tanto, emitir una alarma o realizar la desconexión de la bomba.

4.3 Modos de funcionamiento***Modo de funcionamiento S1: funcionamiento continuo***

El agitador puede funcionar de manera continua con una carga nominal sin que se supere la temperatura permitida.

4.4 Funcionamiento con convertidor de frecuencia

El funcionamiento está permitido en el convertidor de frecuencia. Consultar y observar los requisitos correspondientes del anexo.

4.5 Funcionamiento en atmósferas explosivas

Homologación según	OPTI-TR 20-1...	EXCEL-TRE 20...	OPTI-TR 28-1...	OPTI-TR 30-1...	EXCEL-TRE 30...	OPTI-TR 40-1...	EXCEL-TRE 40...
ATEX	o	-	o	o	o	o	o
FM	o	-	o	o	o	o	o
CSA-Ex	-	-	-	-	-	-	-

Leyenda

- = no disponible/no es posible, o = opcional, • = de serie

Para el uso en atmósferas explosivas, identifique el agitador en la placa de características como sigue:

- Símbolo «Ex» de la correspondiente homologación
- Clasificación antideflagrante

Consulte y observe los requisitos correspondientes del capítulo de protección antideflagrante en el anexo de las presentes instrucciones de instalación y funcionamiento.

Homologación ATEX

Los agitadores son para el funcionamiento en áreas con riesgo de explosión:

- Grupo de aparatos: II
- Categoría: 2, zona 1 y zona 2

Los agitadores no se deben utilizar en la zona 0.

Homologación FM

Los agitadores son para el funcionamiento en áreas con riesgo de explosión:

- Tipo de protección: Explosionproof
- Categoría: Class I, Division 1

Aviso: Si el cableado se realiza según Division 1, la instalación también está homologada para Class I, Division 2.

4.6 Placa de características

A continuación se muestra una vista general de las abreviaturas y los datos correspondientes indicados en la placa de características:

Denominación de placa de características	Valor
P-Typ	Tipo de agitador
M-Typ	Tipo de motor
S/N	Núm. de serie
MFY	Fecha de fabricación*
n	Velocidad
T	Temperatura máx. del fluido
IP	Tipo de protección
I _N	Intensidad nominal
I _{ST}	Corriente de arranque
I _{SF}	Intensidad nominal con factor de servicio
P ₂	Potencia nominal

Denominación de placa de características	Valor
U	Tensión asignada
F	Frecuencia
Cos φ	Rendimiento del motor
SF	Factor de servicio
OT _S	Modo de funcionamiento: sumergido
OT _E	Modo de funcionamiento: en la superficie
AT	Tipo de arranque
m	Peso

* La fecha de fabricación se indica según ISO 8601: JJJJWww

- JJJJ = año
- W = abreviatura de semana
- ww = indicación de semana del año

4.7 Código

Ejemplo: Wilo-Flumen OPTI-TR 30-1.145-4/16REx S17	
Flumen	Agitador de motor sumergible, horizontal
OPTI	Serie: OPTI = agitador con motor estándar EXCEL = agitador con motores de alta eficiencia (IE3/IE4/IE5)
TR	Tipo de agitador: TR = agitador con motor asíncrono estándar TRE = agitador con motores asíncronos de la clase de rendimiento de motor IE3/IE4 TRP = agitador con motores magnéticos permanentes de la clase de rendimiento de motor IE4/IE5
30	x10 = diámetro nominal de hélice en mm
1	Prototipo
145	Velocidad de la hélice en rpm
4	Número de polos
16	x10 = longitud de las chapas del estátor en mm
R	Ejecución del motor: R = ejecución del agitador V = ejecución del agitador con potencia reducida
Ex	Con homologación para uso en zonas explosivas
S17	Código de la hélice para hélices especiales (omitido en caso de hélices estándar)

4.8 Suministro

- Agitador con extremo de cable libre
- Longitud de cable según los requisitos del cliente
- Accesorios montados, por ejemplo: bastidor, electrodo de varilla, etc.
- Instrucciones de instalación y funcionamiento

4.9 Accesorios

- Dispositivo de bajada
- Dispositivo auxiliar de elevación
- Soporte para fijación mural o al suelo
- Polo de cable para asegurar el cable de elevación
- Tope de sujeción
- Arriostramiento adicional del cable
- Juegos de fijación con ancla de unión

5 Transporte y almacenamiento

5.1 Entrega

Tras la recepción de la mercancía, esta se debe comprobar inmediatamente en busca de defectos (daños, integridad). Los daños existentes deben quedar señalados en el documento de transporte. Además, se deben indicar los defectos el mismo día de la recepción a la empresa de transportes o el fabricante. Posteriormente no se podrán realizar reclamaciones de este tipo.

5.2 Transporte

ADVERTENCIA



Permanencia debajo de cargas suspendidas.

No está permitido que las personas permanezcan debajo de cargas suspendidas. Existe peligro de lesiones (graves) por caída de piezas. Las cargas no se deben mover por encima de los puestos de trabajo en los que haya personas.

ADVERTENCIA



Lesiones en la cabeza o los pies por ausencia de equipo de protección.

Existe peligro de lesiones (graves) durante el trabajo. Llevar el siguiente equipo de protección:

- Calzado de seguridad
- Si se emplea un equipo de elevación, se debe utilizar además un casco protector.

AVISO



Utilice solamente un equipo de elevación en perfecto estado técnico.

Utilice solamente un equipo de elevación en perfecto estado técnico para elevar y descender el agitador. Asegure que el agitador no se queda enganchado durante la elevación y el descenso. **No** se debe sobrepasar la capacidad de carga máxima permitida del equipo de elevación. Compruebe el equipo de elevación funcione correctamente antes de su utilización.

AVISO



Transporte de agitadores sin punto de anclaje

Los agitadores para el montaje mural y sobre el suelo no tienen incorporados los bastidores y, en consecuencia, no tienen puntos de anclaje. Transporte el agitador sobre un palé hasta el lugar de montaje. Una o dos personas deberán realizar el posicionamiento en el lugar de montaje. Tenga en cuenta el peso del agitador.

- Para que el agitador no se dañe durante el transporte, el embalaje se deberá retirar en el lugar de uso.
- Si se envían agitadores usados, se deben embalar sin riesgo de derrame en sacos de plástico suficientemente grandes y resistentes a la rotura.
- Cierre el extremo libre del cable de conexión para que no entre el agua.

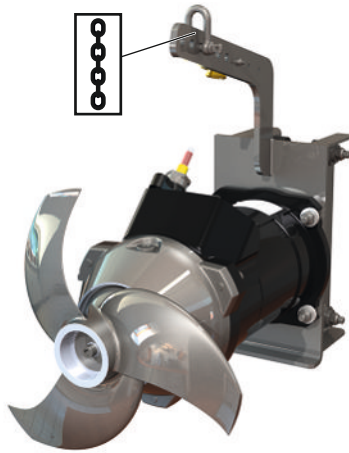


Fig. 2: Punto de anclaje

- Se deben respetar las normas de seguridad vigentes nacionales.
- Se deben usar medios de fijación permitidos y especificados por la legislación.
- Seleccionar los medios de fijación según las condiciones existentes (condiciones atmosféricas, punto de anclaje, carga, etc.).
- Fijar los medios de fijación solo en el punto de anclaje. La fijación se debe realizar con un grillete.
- Usar equipos de elevación con capacidad de carga suficiente.
- Se debe garantizar la estabilidad del equipo de elevación durante su uso.
- Si se utilizan equipos de elevación, en caso de necesidad (por ejemplo: vista obstaculizada) deberá recurrirse a una segunda persona que coordine los trabajos.

5.3 Almacenamiento

PELIGRO



Peligro por fluidos perjudiciales para la salud.

Si se utiliza el agitador en fluidos perjudiciales para la salud, existe riesgo de lesiones mortales.

- Descontamine el agitador tras el desmontaje y antes de realizar cualquier trabajo posterior.
- Tenga en cuenta las indicaciones del reglamento interno. El operador debe asegurarse de que el personal ha recibido y leído el reglamento interno.

ADVERTENCIA



Pala de la hélice con bordes afilados.

En las palas de la hélice pueden formarse bordes afilados. Existe peligro de cortes en las extremidades. Utilice guantes de protección contra cortes.

ATENCIÓN

Siniestro total por entrada de humedad

Si en el cable de conexión penetra humedad, se dañarán tanto el cable de conexión como el agitador. No sumerja jamás el extremo del cable de conexión en un líquido ni lo cierre firmemente durante el almacenamiento.

Los agitadores suministrados recientemente se pueden almacenar durante un año. Para un almacenamiento de más de un año, póngase en contacto con el servicio técnico.

Además, se debe tener en cuenta lo siguiente para el almacenamiento:

- Coloque el agitador en horizontal sobre una base firme **y asegúrelo contra caídas y deslizamientos.**
- **¡ATENCIÓN! No coloque el agitador sobre la hélice. Esto provocaría daños en la hélice o el eje. En caso de hélices con diámetros grandes, prevea la plataforma correspondiente.**
- La temperatura de almacenado máxima está entre los -15 °C y los $+60\text{ °C}$ (5 y 140 °F), con una humedad máxima del aire del 90% sin condensación. Se recomienda un almacenamiento protegido contra las heladas a una temperatura de entre 5 °C y 25 °C (41 y 77 °F) con una humedad relativa del aire del 40% al 50% .
- No almacene el agitador en espacios donde se realicen trabajos de soldadura. Los gases o la radiación formados pueden afectar a los recubrimientos y las piezas de elastómero.

- Proteja el cable de conexión contra pliegues y daños.
- Proteja el agitador de la radiación solar directa y del calor. El calor extremo puede provocar daños en la hélice y el recubrimiento.
- Gire la hélice en intervalos periódicos (2 veces al año). De este modo, se evita el agarrotamiento de los cojinetes y se renueva la capa de lubricante del cierre mecánico. **¡ADVERTENCIA! Existe peligro de lesiones por los bordes afilados de la hélice.**
- Las piezas de elastómero y el recubrimiento están sujetos a una fragilización natural. En caso de un almacenamiento de más de 6 meses, consulte al servicio técnico.

Tras el almacenamiento, limpie el polvo y el aceite del agitador y controle los recubrimientos por si hubiera daños. Repare los recubrimientos dañados antes del siguiente uso.

6 Instalación y conexión eléctrica

6.1 Cualificación del personal

- Trabajos eléctricos: un electricista especializado debe realizar los trabajos eléctricos.
- Trabajos de montaje/desmontaje: el personal especializado debe tener formación sobre el manejo de las herramientas necesarias y los materiales de fijación requeridos para el terreno existente.
- Trabajos de elevación: el personal especializado está formado para operar los dispositivos de elevación. Certificación según la normativa BGV D8 o normativas locales.

6.2 Obligaciones del operador

- Respete las normativas de prevención de accidentes y las normativas de seguridad locales vigentes de las asociaciones profesionales.
- Respete todas las normativas para el trabajo con cargas pesadas y debajo de cargas suspendidas.
- Facilite un equipo de protección y asegúrese de que el personal lo utiliza.
- Señale la zona de trabajo y manténgala sin objetos esparcidos.
- Mantenga al personal no autorizado fuera de la zona de trabajo.
- Si las condiciones meteorológicas (por ejemplo: formación de hielo, viento fuerte) no permiten realizar trabajos de forma segura, interrumpa los trabajos.
- Los elementos constructivos y los cimientos deben tener la suficiente resistencia como para permitir una fijación y un funcionamiento seguros. El operador es responsable de facilitar y de la idoneidad de los elementos constructivos y los cimientos.
- Compruebe que la documentación de planificación disponible (planos de montaje, ejecución del lugar de trabajo, condiciones de entrada) está completa y es correcta.

6.3 Tipos de instalación

- Montaje fijo mural y sobre el suelo
- Montaje flexible con dispositivo de bajada

¡AVISO! En función de la instalación es posible realizar una instalación vertical entre -90° y $+90^\circ$. Para esta instalación, póngase en contacto con el servicio técnico.

6.4 Instalación

PELIGRO



Peligro por fluidos perjudiciales para la salud durante el montaje.

Asegúrese de que el lugar de instalación está limpio y desinfectado durante el montaje. Si existe la posibilidad de entrar en contacto con fluidos perjudiciales para la salud, tenga en cuenta los siguientes puntos:

- Utilice el equipo de protección:
 - ⇒ Gafas de protección cerradas
 - ⇒ Mascarilla
 - ⇒ Guantes de protección
- Recoja inmediatamente el líquido que gotee.
- Siga las indicaciones del reglamento interno. El operador debe asegurarse de que el personal ha recibido y leído el reglamento interno.

PELIGRO**Peligro de muerte por realizar trabajos peligrosos solo.**

Los trabajos en pozos o espacios reducidos, así como los trabajos con peligro de caída son trabajos peligrosos. Estos trabajos no se pueden realizar estando solo. Como medida preventiva, debe estar presente una segunda persona.

ADVERTENCIA**Lesiones en manos y pies, así como peligro de caída por falta de equipo de protección.**

Existe peligro de lesiones (graves) durante el trabajo. Lleve puesto el siguiente equipo de protección:



- Guantes de protección contra cortes
- Calzado de seguridad
- Arnés de seguridad
- Si emplea un equipo de elevación, utilice además un casco protector.

ATENCIÓN**Daños materiales por fijación incorrecta**

Una fijación incorrecta puede afectar al funcionamiento del agitador y dañarlo.

- Si la fijación se realiza en estructuras de hormigón, utilice un ancla de unión para la fijación. Siga las normativas de montaje del fabricante. Respete estrictamente los datos de temperatura y los tiempos de fraguado.
- Si la fijación se realiza en estructuras de acero, compruebe que la estructura posea la suficiente resistencia. Utilice material de fijación que posea la suficiente resistencia. Utilice los materiales adecuados para evitar la corrosión electroquímica.
- Apriete firmemente todas las uniones atornilladas. Respete los datos de par de apriete.

AVISO**Utilice solamente un equipo de elevación en perfecto estado técnico.**

Utilice solamente un equipo de elevación en perfecto estado técnico para elevar y descender el agitador. Asegure que el agitador no se queda enganchado durante la elevación y el descenso. **No** se debe sobrepasar la capacidad de carga máxima permitida del equipo de elevación. Compruebe el equipo de elevación funcione correctamente antes de su utilización.

- Prepare el lugar de trabajo o instalación:
 - Limpio, sin sustancias sólidas gruesas
 - Seco
 - Protegido contra las heladas
 - Descontaminado
- Los trabajos deben ser realizados siempre por dos personas.
- Evite posturas corporales dolorosas y agotadoras.
- En caso de que la altura de trabajo sea superior a 1 m (3 ft), utilice un andamio con protección contra caídas.
- Acordone la zona de trabajo alrededor del andamio.

- Durante los trabajos en espacios cerrados se pueden acumular gases tóxicos o asfixiantes. Procure que haya aeración suficiente y cumpla las medidas de protección conforme al reglamento interno (ejemplos):
 - Realice una medición de gas antes de entrar.
 - Lleve consigo un detector de gases.
 - Etc.
- Si se acumulan gases tóxicos o asfixiantes, adopte inmediatamente medidas para evitarlo.
- Para elevar, descender y transportar el agitador utilice un mecanismo de elevación.
- Fije el mecanismo de elevación con un grillete al punto de anclaje. Solo puede utilizar medios de fijación autorizados para la construcción.
- Una vez se eleve el producto, manténgalo fuera de la zona de giro del mecanismo de elevación.
- El mecanismo de elevación debe poder montarse sin peligro. Se debe poder acceder al lugar de almacenado y el lugar de instalación con el mecanismo de elevación. El lugar de instalación debe tener una base sólida.
- Respete las distancias mínimas con respecto a las paredes y los elementos instalados.
- Los cables de conexión tendidos deben permitir un funcionamiento sin peligro. Compruebe si la sección transversal del cable y la longitud de este son suficientes para el tipo de tendido seleccionado.

6.4.1 Trabajos de mantenimiento

Tras un almacenamiento de más de 6 meses, realice los siguientes trabajos de mantenimiento antes de la instalación:

- Gire la hélice.
- Cambio de aceite del alojamiento de la junta.

6.4.1.1 Giro de la hélice

ADVERTENCIA



Pala de la hélice con bordes afilados.

En las palas de la hélice pueden formarse bordes afilados. Existe peligro de cortes en las extremidades. Utilice guantes de protección contra cortes.

- ✓ El agitador **no** está conectado a la red eléctrica.
 - ✓ Debe llevar puesto el equipo de protección.
1. Coloque el agitador en horizontal sobre una base firme.
¡ADVERTENCIA! Peligro de aplastamiento de las manos. Asegúrese de que el agitador no se caiga ni deslice.
¡ATENCIÓN! No coloque el agitador sobre la hélice. En función del diámetro de la hélice, utilice una plataforma.
 2. Sujete lentamente y con cuidado la hélice y gírela.

6.4.1.2 Cambio de aceite del alojamiento de la junta (TR 20-1/28-1, TRE 20)

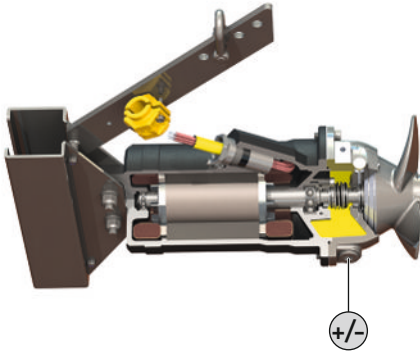


Fig. 3: Cambio de aceite

+/-	Vierta o extraiga aceite en el alojamiento de la junta
-----	--

- ✓ El agitador **no** está montado.
 - ✓ El agitador **no** está conectado a la red eléctrica.
 - ✓ Debe llevar puesto el equipo de protección.
1. Coloque el agitador en horizontal sobre una base firme.
¡ADVERTENCIA! Peligro de aplastamiento de las manos. Asegúrese de que el agitador no se caiga ni deslice.
¡ATENCIÓN! No coloque el agitador sobre la hélice. En función del diámetro de la hélice, utilice una plataforma.
 2. Coloque un depósito adecuado para recoger el material de servicio.
 3. Desenrosque el tapón roscado (+/-).
 4. Vuelque el agitador y extraiga el material de servicio.
 5. Compruebe el material de servicio: Si hay virutas metálicas en el material de servicio, informe al servicio técnico.
 6. Deseche el material de servicio según las normativas locales.
 7. Coloque de nuevo el agitador en horizontal para que el orificio apunte hacia arriba.
 8. Vierta material de servicio por el orificio del tapón roscado (+/-).
⇒ Respete los datos respecto al tipo y la cantidad de material de servicio.
 9. Limpie el tapón roscado (+/-), coloque un anillo de retención nuevo y enrósquelo de nuevo. **Par de apriete máx.: 8 Nm (5,9 ft·lb).**
 10. Vuelva a aplicar la protección contra la corrosión: selle los tapones roscados, por ejemplo, con Sikaflex.

6.4.1.3 Cambio de aceite del alojamiento de la junta (TR 30-1/40-1, TRE 30/40)

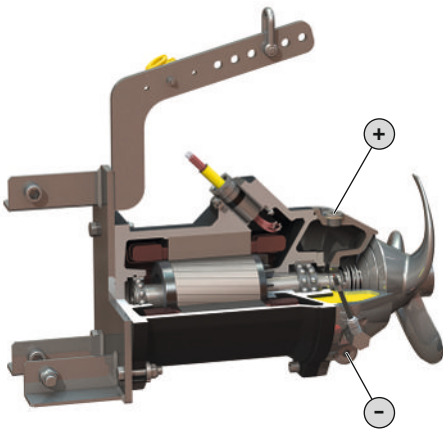


Fig. 4: Cambio de aceite

+	Vierta aceite en el alojamiento de la junta
-	Extraiga el aceite del alojamiento de la junta

- ✓ El agitador **no** está montado.
 - ✓ El agitador **no** está conectado a la red eléctrica.
 - ✓ Debe llevar puesto el equipo de protección.
1. Coloque el agitador en horizontal sobre una base firme.
¡ADVERTENCIA! Peligro de aplastamiento de las manos. Asegúrese de que el agitador no se caiga ni deslice.
¡ATENCIÓN! No coloque el agitador sobre la hélice. En función del diámetro de la hélice, utilice una plataforma.
 2. Coloque un depósito adecuado para recoger el material de servicio.
 3. Desenrosque el tapón roscado (+).
 4. Desenrosque el tapón roscado (-) y extraiga el material de servicio.
 5. Compruebe el material de servicio: Si hay virutas metálicas en el material de servicio, informe al servicio técnico.
 6. Deseche el material de servicio según las normativas locales.
 7. Limpie el tapón roscado (-), coloque un anillo de retención nuevo y vuelva a enroscarlo. **Par de apriete máx.: 8 Nm (5,9 ft·lb).**
 8. Vierta material de servicio por el orificio del tapón roscado (+).
⇒ Respete los datos respecto al tipo y la cantidad de material de servicio.
 9. Limpie el tapón roscado (+), coloque un anillo de retención nuevo y vuelva a enroscarlo. **Par de apriete máx.: 8 Nm (5,9 ft·lb).**

6.4.2 Montaje mural



Fig. 5: Montaje mural

En el montaje mural, el agitador se monta directamente en la pared del depósito. Tienda el cable de conexión en la pared del depósito y condúzcalo hacia arriba.

- ✓ El lugar de trabajo/instalación está preparado para la instalación. Las distancias definidas con respecto a los elementos instalados y las paredes del depósito se mantendrán según la documentación de planificación.
 - ✓ El agitador no está conectado a la red eléctrica.
 - ✓ Para alturas de instalación por encima de 1 m hay disponible un andamio con protección contra caídas.
1. 2 personas deberán posicionar el agitador en la pared del depósito y marcar los orificios de fijación.
 2. Coloque el agitador fuera de la zona de trabajo.
 3. Taladre los orificios de fijación y coloque anclas de unión. **¡AVISO! Cumpla las normativas de montaje del fabricante.**
 4. Una vez fraguadas las anclas de unión, 2 personas deberán encajar el agitador en las anclas de unión y fijarlo con material de fijación.
 5. Monte el agitador de manera fija a la pared del depósito. **¡AVISO! Cumpla las normativas de montaje del fabricante.**
 6. Tienda el cable de conexión ligeramente tenso en la pared del depósito. **¡ATENCIÓN! Una vez conduzca el cable de conexión por encima del borde del depósito, preste atención a los posibles puntos de desgaste. Los bordes afilados pueden dañar el cable de conexión. En caso necesario, achaflane los bordes del depósito.**
 7. Aplique la protección contra la corrosión (por ejemplo: Sikaflex): llene los orificios longitudinales de la brida del motor hasta la arandela.
- El agitador está montado. Establezca la conexión eléctrica.

6.4.3 Montaje sobre el suelo

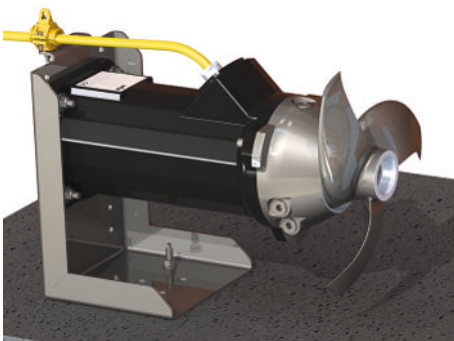


Fig. 6: Montaje sobre el suelo

En el montaje sobre el suelo se monta el agitador sobre un soporte directamente en el suelo del depósito. **¡ATENCIÓN! Si se ha pedido el agitador para el montaje sobre el suelo, el soporte está premontado. Si el agitador se suministró sin soporte, debe pedir posteriormente el soporte adecuado por medio del servicio técnico.** Tienda el cable de conexión a lo largo del suelo del depósito y condúzcalo hacia arriba sobre la pared del depósito.

- ✓ El lugar de trabajo/instalación está preparado para la instalación. Las distancias definidas con respecto a los elementos instalados y las paredes del depósito se mantendrán según la documentación de planificación.
 - ✓ El agitador no está conectado a la red eléctrica.
 - ✓ Soporte montado en el agitador.
1. 2 personas deberán posicionar el agitador en el suelo del depósito y marcar los 2 orificios de fijación.
 2. Deposite el agitador fuera de la zona de trabajo.
 3. Taladre los orificios de fijación y coloque anclas de unión. **¡AVISO! Cumpla las normativas de montaje del fabricante.**
 4. Una vez fraguadas las anclas de unión, 2 personas deberán encajar el agitador en las anclas de unión y fijarlo con material de fijación.
 5. Monte el agitador de manera fija al suelo del depósito. **¡AVISO! Cumpla las normativas de montaje del fabricante.**
 6. Tienda el cable de conexión ligeramente tenso en el suelo y la pared del depósito. **¡ATENCIÓN! Una vez conduzca el cable de conexión por encima del borde del depósito, preste atención a los posibles puntos de desgaste. Los bordes afilados pueden dañar el cable de conexión. En caso necesario, achaflane los bordes del depósito.**

7. Aplique la protección contra la corrosión (p. ej.: Sikaflex):
 - ranura de sellado entre soporte e infraestructura.
 - llene los orificios de la placa base del soporte.
 - reponga los arañazos del soporte.

► El agitador está montado. Establezca la conexión eléctrica.

6.4.4 Montaje con dispositivo de bajada

El agitador se baja por medio de un dispositivo de bajada al depósito. El agitador se llevará al punto de trabajo de manera segura por medio del tubo guía del dispositivo de bajada. Las fuerzas de reacción generadas se derivan directamente a la estructura por medio del dispositivo de bajada. La infraestructura **debe** estar diseñada para este tipo de carga.

¡ATENCIÓN! Daños materiales por accesorios incorrectos. Debido a las elevadas fuerzas de reacción, opere el agitador únicamente con los accesorios (dispositivo de bajada y bastidor) del fabricante. Si se ha pedido el agitador para la instalación con dispositivo de bajada, el soporte está premontado. Si el agitador se suministra sin bastidor, debe pedir posteriormente el bastidor adecuado al servicio técnico.

Trabajos de preparación

1	Mecanismo de elevación
2	Equipo de elevación
3	Grillete para anclaje
4	Soportes
5	Plataforma para bajada segura
6	Bastidor
7	Abrazadera de cables para descarga de tracción

✓ Agitador colocado y alineado horizontalmente.

✓ Bastidor montado en el agitador.

✓ Dispositivo de bajada montado en el depósito.

✓ Mecanismo de elevación con suficiente capacidad de carga disponible.

1. Fije el equipo de elevación al bastidor con un grillete.

2. Ejecución con rodillos de plástico continuos: afloje los pasadores abatibles y desmonte los rodillos de plástico continuos y los árboles de transmisión.

¡AVISO! Tenga preparados los componentes para el montaje posterior.

3. Tienda todos los cables de conexión y monte la abrazadera de cables.

Las abrazaderas de cables fijan los cables de conexión al equipo de elevación y previenen que también floten sin control los cables de conexión en el depósito.

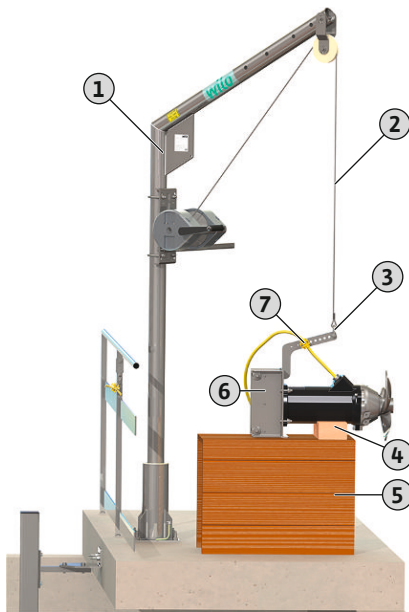


Fig. 7: Preparación del agitador

Agitador	Distancia de abrazadera de cables
TR/TRE 20	550 mm (20 in)
TR 28-1	550 mm (20 in)
TR/TRE 30	750 mm (30 in)
TR/TRE 40	750 mm (30 in)

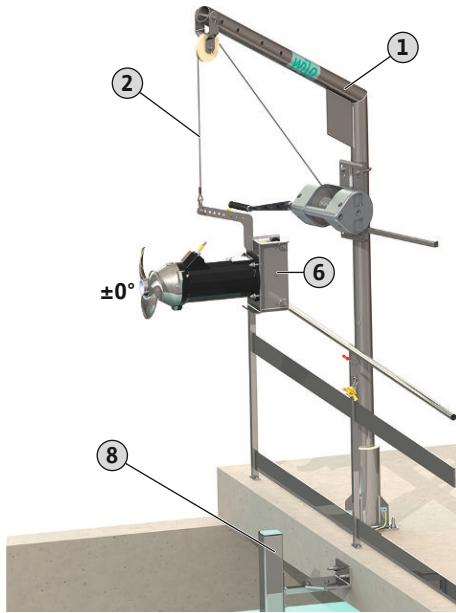


Fig. 8: Giro del agitador sobre el depósito

Elevación del agitador y giro sobre el depósito

1	Mecanismo de elevación
2	Equipo de elevación
6	Bastidor
8	Tubo guía del dispositivo de bajada

✓ Los trabajos de preparación han concluido.

1. Eleve el agitador de manera que pueda girarlo sin peligro sobre la barandilla.
¡AVISO! El agitador debe estar colgado horizontalmente del mecanismo de elevación. Si el agitador está colgado torcido del mecanismo de elevación, cambie el punto de anclaje del bastidor.
2. Gire el agitador sobre el depósito.
¡AVISO! El bastidor debe pasar en vertical con respecto al tubo guía. Si el bastidor no pasa verticalmente con respecto al tubo guía, adapte la descarga del mecanismo de elevación.

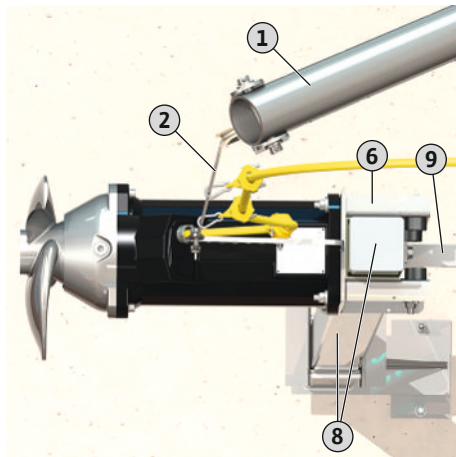


Fig. 9: Agitador en el dispositivo de bajada

Montaje del agitador en el dispositivo de bajada

1	Mecanismo de elevación
2	Equipo de elevación
6	Bastidor
8	Tubo guía del dispositivo de bajada
9	Soporte superior del dispositivo de bajada

✓ El agitador cuelga horizontalmente.

✓ Bastidor en vertical con respecto al tubo guía.

✓ Abrazadera de cables montada.

1. Baje el agitador lentamente.
2. Introduzca el tubo guía sin desalineaciones en el bastidor.
¡AVISO! Los rodillos guía están apoyados en el tubo guía.
3. Ejecución con árboles de transmisión:
baje el agitador hasta que el bastidor se encuentre por debajo del soporte superior. Monte los árboles de transmisión y los rodillos de plástico continuos y asegúrelos con los pasadores abatibles.

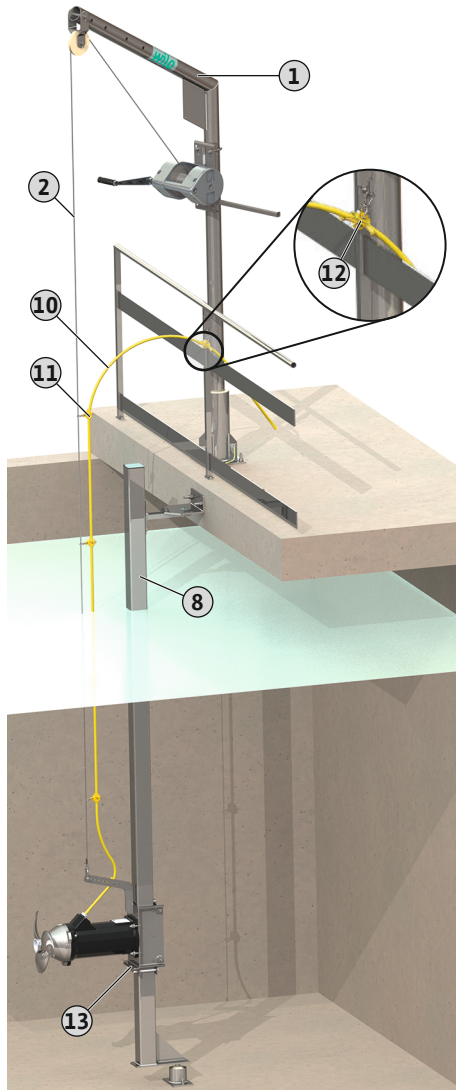


Fig. 10: Agitador depositado sobre el tope fijo

Conclusión de la instalación

1	Mecanismo de elevación
2	Equipo de elevación
8	Tubo guía del dispositivo de bajada
10	Cable de conexión
11	Abrazadera de cables con mosquetón, guía de cables mediante equipo de elevación
12	Abrazadera de cables con mosquetón, seguro contra caídas
13	Tope fijo

✓ Agitador montado en el dispositivo de bajada

1. Baje el agitador lentamente.
 2. Cuelgue el cable de conexión con las abrazaderas de cables en el equipo de elevación. El cable de conexión se conducirá de forma segura por el equipo de elevación (por ejemplo: cable de alambre). **¡ATENCIÓN! Si no utiliza abrazaderas de cables para guiar el cable de conexión, asegúrese la hélice no tire del cable de conexión.**
 3. Baje el agitador hasta el extremo del tubo guía o hasta el tope fijo.
 4. Asegure el cable de conexión a la barandilla o el mecanismo de elevación contra caídas.
 5. Compruebe el área de giro del dispositivo de bajada. Compruebe el área de giro completa del dispositivo de bajada. El agitador no debe chocar contra infraestructuras (elementos instalados, pared del depósito). **¡ATENCIÓN! Si no es útil el área de giro completa, limite mecánicamente el área de giro.**
 6. Ajuste los ángulos deseados y asegure contra cambios el dispositivo de bajada con un tornillo.
- Instalación concluida. Tienda el cable de conexión y establezca la conexión eléctrica.

Mecanismo de elevación móvil: Instalación del polo de cable

Si utiliza un mecanismo de elevación móvil, instale un polo de cable en el borde del depósito:

- Tome el equipo de elevación (por ejemplo: cable de alambre) del mecanismo de elevación y fíjelo al polo de cable.
- Asegure el cable de conexión borde del depósito contra caídas.

¡ATENCIÓN! Una vez conduzca el cable de conexión por encima del borde del depósito, preste atención a los posibles puntos de desgaste. Los bordes afilados pueden dañar el cable de conexión. En caso necesario, achaflane los bordes del depósito.



Fig. 11: Equipo de elevación asegurado en el polo de cable

6.5 Conexión eléctrica

PELIGRO



Riesgo de lesiones mortales por corriente eléctrica.

Un comportamiento indebido durante los trabajos eléctricos puede provocar la muerte por electrocución. Un electricista especializado debe realizar los trabajos eléctricos según las normativas locales.

PELIGRO



Peligro de explosión por conexión incorrecta.

- Establezca la conexión eléctrica del agitador siempre fuera del área explosiva. Si la conexión debe tener lugar dentro del área explosiva, lleve a cabo la conexión en una carcasa homologada para áreas con riesgo de explosión (tipo de protección contra encendido según DIN EN 60079-0). En caso de no respetar lo anterior, existe riesgo de lesiones mortales debido a explosiones.
- Conecte el cable de compensación de potencial al borne de puesta a tierra. El borne de puesta a tierra está instalado en el área del cable de conexión. Para el cable de compensación de potencial se utiliza una sección de cable conforme a las normativas locales.
- La conexión debe ser realizada siempre por un electricista especializado.
- Para la conexión eléctrica, observe también la información del capítulo de protección contra explosiones incluido en el anexo de las presentes instrucciones de instalación y funcionamiento.

- La alimentación eléctrica se debe corresponder con los datos de la placa de características.
- Alimentación de motores de corriente trifásica en lado de la red con campo giratorio hacia la derecha.
- Tienda el cable de conexión correctamente según las normativas locales y conéctelo conforme a la asignación de hilos.
- Conecte los dispositivos de vigilancia y haga una prueba de funcionamiento.
- Lleve a cabo la puesta a tierra según las normativas locales.

6.5.1 Fusible en el lado de la red

Interruptor automático

El tamaño y la característica de conmutación del interruptor automático dependen de la intensidad nominal del producto conectado. Tenga en cuenta los reglamentos locales.

Guardamotor

En productos que no vengan con enchufe, instalar un guardamotor a cargo del propietario. El requisito mínimo es contar con un relé térmico/guardamotor con compensación de temperatura, desconexión diferencial y bloqueo de reconexión de conformidad con las normativas locales. Para la conexión a redes eléctricas sensibles, se recomienda la instalación de dispositivos de protección (por ejemplo, relés de sobretensión, de baja tensión, de interrupción de fase, etc.) a cargo del propietario.

Interruptor diferencial (RCD)

Se deben cumplir las normativas de la compañía eléctrica local. Se recomienda utilizar un interruptor diferencial.

Si las personas pueden entrar en contacto con el producto y con líquidos conductivos, se debe asegurar la conexión **con** un interruptor diferencial (RFD).

6.5.2 Trabajos de mantenimiento

Antes de la instalación, efectúe los siguientes trabajos de mantenimiento.

- Compruebe la resistencia de aislamiento de la bobina del motor.
- compruebe la resistencia del sensor de temperatura.
- Compruebe la resistencia del electrodo de varilla (disponible opcionalmente).

- Si los valores medidos divergen de las especificaciones:
- Ha penetrado humedad en el motor o el cable de conexión.
 - El dispositivo de vigilancia está defectuoso.

En caso de fallo, póngase en contacto con el servicio técnico.

6.5.2.1 Comprobación de la resistencia de aislamiento del bobinado del motor

Mida la resistencia de aislamiento con un comprobador de aislamiento (tensión continua de medición = 1000 V). Se deben respetar los siguientes valores:

- Para la puesta en marcha inicial: la resistencia de aislamiento no debe ser inferior a 20 MΩ.
- Para otras mediciones: el valor debe ser superior a 2 MΩ.

6.5.2.2 Comprobación de la resistencia del sensor de temperatura

La resistencia del sensor de temperatura se debe medir con un ohmímetro. Se deben respetar los siguientes valores de medición:

- **Sensor bimetálico:** valor de medición = 0 ohmios (paso).
- **Sensor PTC (posistor):** valor de medición en función del número de sensores montados. El sensor PTC dispone de una resistencia al frío de entre 20 y 100 ohmios.
 - Con **tres** sensores en serie, el valor de medición se encuentra entre 60 y 300 ohmios.
 - Con **cuatro** sensores en serie, el valor de medición se encuentra entre 80 y 400 ohmios.

6.5.2.3 Comprobación de la resistencia del electrodo externo para el control de la sección impermeable

La resistencia del electrodo se debe medir con un ohmímetro. El valor medido debe tender a «infinito». Con los valores ≤ 30 kiloohmios hay agua en el aceite, realizar un cambio de aceite.

6.5.3 Conexión del motor de corriente trifásica

La ejecución de corriente trifásica se suministra con extremos de cable libres. La conexión a la red eléctrica se realiza conectando los cables de entrada de corriente en el cuadro de control. La información exacta de la conexión se puede consultar en el esquema de conexión suministrado. **Confíe siempre la conexión eléctrica a un electricista especializado.**

¡AVISO! Cada hilo está denominado conforme al esquema de conexión. No corte los hilos. No existe otra asignación entre la denominación de los hilos y el esquema de conexión.

Denominación de los hilos de las conexiones de cables en el arranque directo	
U, V, W	Alimentación eléctrica
PE (gn-ye)	Tierra

Denominación de los hilos de las conexiones de cables en el arranque estrella-triángulo	
U1, V1, W2	Alimentación eléctrica (comienzo de bobinado)
U2, V2, W2	Alimentación eléctrica (final de bobinado)
PE (gn-ye)	Tierra

6.5.4 Conexión de los dispositivos de vigilancia

La información exacta de la conexión y la ejecución de los dispositivos de vigilancia se puede consultar en el esquema de conexión suministrado. **Confiar siempre la conexión a un electricista especializado.**

¡AVISO! Cada hilo está denominado conforme al esquema de conexión. No cortar los hilos. No existe otra asignación entre la denominación de los hilos y el esquema de conexión.

PELIGRO



Peligro de explosión por conexión incorrecta.

Si los dispositivos de vigilancia no están conectados correctamente, existe un riesgo de lesiones mortales por explosión en las áreas con riesgo de explosión. La conexión debe ser realizada siempre por un electricista especializado. En la aplicación dentro de áreas con riesgo de explosión rige:

- Conectar el control térmico del motor mediante el relé de evaluación.
- La desconexión con el delimitador de la temperatura debe realizarse utilizando un bloqueo de reconexión manual. Una vez se acciona manualmente la tecla de desbloqueo, es posible volver a conectar.
- Conectar el electrodo externo (por ejemplo: control de la sección impermeable) mediante un relé de evaluación con un circuito eléctrico intrínsecamente seguro.
- Para más información, consultar el capítulo de protección contra explosiones incluido en el anexo de las presentes instrucciones de instalación y funcionamiento.

Vista general de los dispositivos de vigilancia posibles:

	OPTI-TR 20-1...	EXCEL-TRE 20...	OPTI-TR 28-1...	OPTI-TR 30-1...	EXCEL-TRE 30...	OPTI-TR 40-1...	EXCEL-TRE 40...
Dispositivos de vigilancia internos							
Compartimento del motor	o	o	o	–	–	–	–
Compartimento del motor/cámara de separación*	–	–	–	o	o	o	o
Bobina del motor**	•	•	•	•	•	•	•
Dispositivos de vigilancia externos							
Cámara de separación	o	o	o	o	o	o	o

Leyenda

– = no disponible/no es posible, o = opcional, • = de serie

* En la ejecución para áreas con riesgo de explosión se omite esta vigilancia sin sustitución.

** De manera estándar hay montado un delimitador de temperatura. En la ejecución para áreas con riesgo de explosión se han instalado un regulador de temperatura y un delimitador de temperatura según ATEX.

6.5.4.1 Vigilancia del compartimento del motor

Conectar los electrodos mediante un relé de evaluación. Para ello se recomienda el relé «NIV 101/A». El valor umbral es de 30 kiloohmios.

Denominación de los hilos

DK Conexión de electrodo

Al alcanzar el valor umbral lleve a cabo una desconexión.

6.5.4.2 Vigilancia del compartimento del motor/de la cámara de obturación

Conectar los electrodos mediante un relé de evaluación. Para ello se recomienda el relé «NIV 101/A». El valor umbral es de 30 kiloohmios.

Denominación de los hilos

DK Conexión de electrodo

Al alcanzar el valor umbral lleve a cabo una desconexión.

6.5.4.3 Vigilancia de bobina del motor

Con sensor bimetálico

Los sensores bimetálicos se conectan directamente en el cuadro de control o mediante un relé de evaluación.

Valores de conexión: máx. 250 V (CA); 2,5 A; $\cos \varphi = 1$

Denominación de los hilos del sensor bimetálico

Delimitador de temperatura

20, 21	Conexión del sensor bimetálico
--------	--------------------------------

Regulador y delimitador de temperatura

21	Conexión de temperatura alta
----	------------------------------

20	Conexión media
----	----------------

22	Conexión de temperatura baja
----	------------------------------

Con sensor PTC

Conecte el sensor PTC mediante un relé de evaluación. Para ello, se recomienda el relé «CM-MSS». El valor umbral se ha preajustado.

Denominación de los hilos del sensor PTC

Delimitador de temperatura

10, 11	Conexión del sensor PTC
--------	-------------------------

Regulador y delimitador de temperatura

11	Conexión de temperatura alta
----	------------------------------

10	Conexión media
----	----------------

12	Conexión de temperatura baja
----	------------------------------

Estado de accionamiento con regulador y delimitador de temperatura

En función de la ejecución del control térmico del motor, al alcanzar el valor umbral se sucede el siguiente estado de accionamiento:

- Delimitador de temperatura (1 circuito de temperatura):
Al alcanzar el valor umbral lleve a cabo una desconexión.
- Regulador y delimitador de temperatura (2 circuitos de temperatura):
Al alcanzar el valor umbral para la temperatura mínima se puede efectuar una desconexión con reconexión automática. Al alcanzar el valor umbral para la temperatura máxima lleve a cabo una desconexión con reconexión manual.

Para obtener más información, consulte el capítulo de protección contra explosiones incluido en el anexo.

6.5.4.4 Vigilancia de la cámara de obturación (electrodo externo)

Conectar el electrodo externo mediante un relé de evaluación. Para ello se recomienda el relé «NIV 101/A». El valor umbral es de 30 kiloohmios.

Al alcanzar el valor umbral tendrá lugar una advertencia o la desconexión.

Para obtener más información, consulte el capítulo de protección contra explosiones incluido en el anexo.

ATENCIÓN

Conexión del control de la sección impermeable

Si tan solo se genera una advertencia al alcanzar el valor umbral, la entrada de agua puede provocar el siniestro total del agitador. Siempre se recomienda la desconexión del agitador.

6.5.5 Ajuste de la protección de motor

La protección de motor se debe ajustar en función del tipo de arranque seleccionado.

6.5.5.1 Conexión directa

Con plena carga, el guardamotor se ajusta a la corriente asignada (véase placa de características). Para el funcionamiento con carga parcial, se recomienda ajustar el guardamotor a un 5 % por encima de la corriente medida en el punto de funcionamiento.

6.5.5.2 Arranque estrella-triángulo

El ajuste de la protección de motor depende de la instalación:

- Protección de motor instalada en el hilo del motor: Ajustar la protección de motor a 0,58 veces la corriente asignada.
- Protección de motor instalada en el cable de alimentación de red: Ajustar la protección de motor a la corriente asignada.

El tiempo de arranque en la conexión en estrella no debe superar los 3 segundos.

6.5.5.3 Arranque progresivo

Con plena carga, el guardamotor se ajusta a la corriente asignada (véase placa de características). Para el funcionamiento con carga parcial, se recomienda ajustar el guardamotor a un 5 % por encima de la corriente medida en el punto de funcionamiento. Además, se deben tener en cuenta los siguientes puntos:

- La intensidad absorbida siempre debe estar por debajo de la corriente asignada.
- El arranque y la salida siempre deben finalizar en un plazo de 30 s.
- Para prevenir la potencia disipada, el sistema electrónico de arranque (arranque progresivo) debe puentearse en cuanto se alcance el funcionamiento normal.

6.5.6 Funcionamiento con convertidor de frecuencia

El funcionamiento está permitido en el convertidor de frecuencia. Consultar y observar los requisitos correspondientes del anexo.

7 Puesta en marcha**ADVERTENCIA****Lesiones en manos y pies por ausencia de equipo de protección.**

Existe peligro de lesiones (graves) durante el trabajo. Llevar el siguiente equipo de protección:

- Guantes de protección contra cortes
- Calzado de seguridad
- Si se emplea un equipo de elevación, se debe utilizar además un casco protector.

7.1 Cualificación del personal

- Trabajos eléctricos: un electricista especializado debe realizar los trabajos eléctricos.
- Manejo/mando: el personal de manejo debe estar instruido en el funcionamiento de la instalación completa.

7.2 Obligaciones del operador

- Poner las instrucciones de instalación y funcionamiento junto al agitador o en un lugar previsto para ello.
- Facilite al personal las instrucciones de instalación y funcionamiento en su idioma.
- Asegure que todo el personal ha leído y comprendido las instrucciones de instalación y funcionamiento.
- Todos los dispositivos de seguridad y de parada de emergencia de la instalación están activos y ha comprobado que funcionan perfectamente.
- El agitador es apto para su uso en las condiciones de funcionamiento especificadas.

7.3 Control del sentido de giro

El agitador está comprobado y ajustado de fábrica en el sentido de giro correcto para un campo giratorio hacia la derecha. Establezca la conexión según los datos del capítulo «Conexión eléctrica».



Fig. 12: Sentido de giro correcto

Comprobación del sentido de giro

- ✓ Alimentación eléctrica con campo giratorio hacia la derecha disponible.
- ✓ Campo giratorio comprobado por un electricista especializado.
- ✓ No hay personas en la zona de trabajo del agitador.
- ✓ Agitador instalado de manera fija.
¡ADVERTENCIA! No sostenga el agitador en la mano. Un par de arranque elevado puede provocar lesiones graves.

✓ Hélice visible.

1. Conecte el agitador. **Tiempo de funcionamiento máximo: 15 s.**

2. Sentido de giro de la hélice:

Vista delantera: la hélice gira en sentido contrario a las agujas del reloj (hacia la izquierda).

Vista trasera: la hélice gira en el sentido de las agujas del reloj (hacia la derecha).

► Sentido de giro correcto.

Sentido de giro incorrecto

En caso de que el sentido de giro sea incorrecto, modifique la conexión de la siguiente manera:

- Arranque directo: cambie dos fases.
- Arranque estrella-triángulo: cambie las conexiones de dos bobinados (por ejemplo: U1/V1 y U2/V2).

¡AVISO! Después de cambiar la conexión, compruebe nuevamente el sentido de giro.

7.4 Funcionamiento en atmósferas explosivas

Homologación según	OPTI-TR 20-1...	EXCEL-TRE 20...	OPTI-TR 28-1...	OPTI-TR 30-1...	EXCEL-TRE 30...	OPTI-TR 40-1...	EXCEL-TRE 40...
ATEX	o	-	o	o	o	o	o
FM	o	-	o	o	o	o	o
CSA-Ex	-	-	-	-	-	-	-

Leyenda

- = no disponible/no es posible, o = opcional, • = de serie

Para el uso en atmósferas explosivas, identifique el agitador en la placa de características como sigue:

- Símbolo «Ex» de la correspondiente homologación
- Clasificación antideflagrante

Consulte y observe los requisitos correspondientes del capítulo de protección antideflagrante en el anexo de las presentes instrucciones de instalación y funcionamiento.

Homologación ATEX

Los agitadores son para el funcionamiento en áreas con riesgo de explosión:

- Grupo de aparatos: II
- Categoría: 2, zona 1 y zona 2

Los agitadores no se deben utilizar en la zona 0.

Homologación FM

Los agitadores son para el funcionamiento en áreas con riesgo de explosión:

- Tipo de protección: Explosionproof
- Categoría: Class I, Division 1

Aviso: Si el cableado se realiza según División 1, la instalación también está homologada para Class I, División 2.

7.5 Antes de la conexión

Antes de la conexión compruebe los siguientes puntos:

- Compruebe si la ejecución de la instalación es correcta y sigue las normativas locales vigentes:
 - ¿Está el agitador conectado a tierra?
 - ¿Se ha comprobado el tendido del cable de conexión?
 - ¿Se ha realizado la conexión eléctrica según las normativas?
 - ¿Se han fijado los componentes mecánicos correctamente?
- Compruebe las condiciones de funcionamiento:
 - ¿Se ha comprobado la temperatura del fluido mín./máx.?
 - ¿Se ha comprobado la profundidad de inmersión máxima?
 - Funcionamiento intermitente: ¿Se respeta la frecuencia de arranque máxima?
- Compruebe el lugar de instalación/lugar de trabajo:
 - ¿Se ha definido y vigilado el nivel de agua mínimo mediante la hélice?
 - La temperatura del fluido mínima puede bajar por debajo de los 3 °C: ¿Se ha instalado una vigilancia con desconexión automática?
 - ¿No hay objetos instalados en la curva de evolución directa de la hélice?

7.6 Conexión y desconexión

Conecte y desconecte el agitador por medio de un elemento de mano independiente dispuesto por el propietario (interruptor ON/OFF, cuadro de control).

La intensidad nominal se supera por unos segundos durante el proceso de arranque. Hasta que se alcance la temperatura de funcionamiento del motor y se genere el flujo en el depósito, la intensidad absorbida sigue estando ligeramente por encima de la intensidad nominal. Durante el funcionamiento regular, la intensidad nominal ya no se puede superar. **¡ATENCIÓN! Si el agitador no arranca, desconéctelo inmediatamente. Antes de conectarlo de nuevo, subsane la avería.**

7.7 Durante el funcionamiento

ADVERTENCIA



Peligro de quemaduras por superficies calientes.

La carcasa del motor se puede calentar durante el funcionamiento. Se pueden producir quemaduras. Dejar enfriar el motor a temperatura ambiente tras la desconexión.

ADVERTENCIA



Pala de la hélice con bordes afilados.

En las palas de la hélice pueden formarse bordes afilados. Existe peligro de cortes en las extremidades. Utilice guantes de protección contra cortes.

Durante el funcionamiento de la bomba tenga en cuenta las siguientes normativas locales:

- Seguridad en el lugar de trabajo
- Prevención de accidentes
- Manejo de máquinas eléctricas

Respete estrictamente la distribución del trabajo del personal fijada por el operador. Todo el personal es responsable de la distribución del trabajo y de que se cumplan los reglamentos.

- Tensión de funcionamiento (+/-10 % de la tensión asignada)
- Frecuencia (+/-2 % de la frecuencia asignada)
- Intensidad absorbida entre las fases (máximo 5 %)
- Diferencia de potencial entre las fases (máximo 1 %)
- Frecuencia máxima de arranque
- Cobertura de agua mínima mediante la hélice
- Marcha silenciosa/con poca vibración

Intensidad absorbida elevada

En función del fluido y la generación de flujo existente, se pueden producir pequeñas oscilaciones en la intensidad absorbida. Una intensidad absorbida elevada permanente indica un dimensionamiento modificado. Las causas de un dimensionamiento modificado pueden ser las siguientes:

- Modificación de la viscosidad y la densidad del fluido, p. ej., por cambiar la adición de polímeros o agentes precipitantes. **¡ATENCIÓN! Dicha modificación puede ocasionar desde un gran aumento del consumo de potencia hasta la sobrecarga.**
- Limpieza mecánica previa insuficiente, por ejemplo: componentes fibrosos y abrasivos.
- Relaciones de flujo heterogéneas debidas a elementos instalados o desviaciones en el lugar de trabajo.
- Vibraciones por entrada y salida obstruidas del depósito, entrada de aire incorrecta (aeración) o interferencia mutua de varios agitadores.

Compruebe el dimensionamiento de la instalación y tome medidas para evitarlo. **¡ATENCIÓN! Una intensidad absorbida elevada permanente aumenta el desgaste del agitador.** Para más ayuda póngase en contacto con el servicio técnico.

Vigilancia de la temperatura del fluido

La temperatura del fluido mínima no puede ser inferior a 3 °C. Una temperatura del fluido inferior a 3 °C provoca un espesamiento del fluido y puede causar roturas en la hélice. Si la temperatura del fluido fuese inferior a 3 °C, disponga una medición de temperatura automática con advertencia previa y desconexión.

Vigilancia de cobertura de agua mínima

Durante el funcionamiento, la hélice no puede salir del fluido a la superficie. Es obligatorio que respete las indicaciones sobre la cobertura mínima de agua. En caso de oscilaciones significativas de los niveles, instale una vigilancia de nivel. Si no se alcanza la cobertura de agua mínima, desconecte el agitador.

8 Puesta fuera de servicio/desmontaje**8.1 Cualificación del personal**

- Manejo/mando: el personal de manejo debe estar instruido en el funcionamiento de la instalación completa.
- Trabajos eléctricos: un electricista especializado debe realizar los trabajos eléctricos.
- Trabajos de montaje/desmontaje: el personal especializado debe tener formación sobre el manejo de las herramientas necesarias y los materiales de fijación requeridos para el terreno existente.
- Trabajos de elevación: el personal especializado está formado para operar los dispositivos de elevación. Certificación según la normativa BGV D8 o normativas locales.

8.2 Obligaciones del operador

- Normativas de prevención de accidentes y las normativas de seguridad locales vigentes de las asociaciones profesionales.
- Se deben respetar las normativas para el trabajo con cargas pesadas y debajo de cargas suspendidas.
- Facilitar el equipo de protección necesario y asegurarse de que el personal lo utiliza.
- Los espacios cerrados se deben airear suficientemente.
- Si se acumulan gases tóxicos o asfixiantes, se deberán tomar medidas para evitarlo.

8.3 Puesta fuera de servicio

Para una puesta fuera de servicio se desconecta el agitador, pero seguirá instalado. De este modo, el agitador estará listo para funcionar en cualquier momento.

✓ Para proteger el agitador contra la escarcha y el hielo sumerja el agitador siempre por completo en el fluido.

✓ La temperatura del fluido siempre debe estar por encima de +3 °C (+37 °F).

1. Desconecte el agitador en el elemento de mando.

2. Asegure el elemento de mando contra reconexiones no autorizadas (por ejemplo, mediante bloqueo del interruptor principal).

► El agitador está ahora fuera de servicio y puede desmontarse.

Si el agitador permanece instalado tras la puesta fuera de servicio, tenga en cuenta los siguientes puntos:

- Asegure los requisitos citados anteriormente para el periodo de puesta fuera de servicio completo. Si no se garantizan los requisitos, desmonte el agitador tras la puesta fuera de servicio.
- En caso de una puesta fuera de servicio prolongada, realice una puesta en marcha durante 5 minutos a intervalos periódicos (de mensual a trimestral). **¡ATENCIÓN! Realice una puesta en marcha solo bajo las condiciones de funcionamiento vigentes. No está permitida la marcha en seco. El incumplimiento de estas indicaciones puede provocar un siniestro total.**

8.4 Desmontaje

PELIGRO



Peligro por fluidos perjudiciales para la salud durante el desmontaje.

Durante el desmontaje puede que se entre en contacto con fluidos perjudiciales para la salud. Se deben observar los siguientes puntos:

- Utilizar el equipo de protección:
 - ⇒ Gafas de protección cerradas
 - ⇒ Mascarilla
 - ⇒ Guantes de protección
- Recoger inmediatamente el líquido que gotee.
- Seguir las indicaciones del reglamento interno. El operador debe asegurarse de que el personal ha recibido y leído el reglamento interno.

PELIGRO



Peligro por fluidos perjudiciales para la salud.

Si se utiliza el agitador en fluidos perjudiciales para la salud, existe riesgo de lesiones mortales.

- Descontamine el agitador tras el desmontaje y antes de realizar cualquier trabajo posterior.
- Tenga en cuenta las indicaciones del reglamento interno. El operador debe asegurarse de que el personal ha recibido y leído el reglamento interno.

PELIGRO



Riesgo de lesiones mortales por corriente eléctrica.

Un comportamiento indebido durante los trabajos eléctricos puede provocar la muerte por electrocución. Un electricista especializado debe realizar los trabajos eléctricos según las normativas locales.

PELIGRO



Peligro de muerte por realizar trabajos peligrosos solo.

Los trabajos en pozos o espacios reducidos, así como los trabajos con peligro de caída son trabajos peligrosos. Estos trabajos no se pueden realizar estando solo. Como medida preventiva, debe estar presente una segunda persona.

ADVERTENCIA**Lesiones en manos y pies, así como peligro de caída por falta de equipo de protección.**

Existe peligro de lesiones (graves) durante el trabajo. Lleve puesto el siguiente equipo de protección:



- Guantes de protección contra cortes
- Calzado de seguridad
- Arnés de seguridad
- Si emplea un equipo de elevación, utilice además un casco protector.

**ADVERTENCIA****Peligro de quemaduras por superficies calientes.**

La carcasa del motor se puede calentar durante el funcionamiento. Se pueden producir quemaduras. Dejar enfriar el motor a temperatura ambiente tras la desconexión.

AVISO**Utilice solamente un equipo de elevación en perfecto estado técnico.**

Utilice solamente un equipo de elevación en perfecto estado técnico para elevar y descender el agitador. Asegure que el agitador no se queda enganchado durante la elevación y el descenso. **No** se debe sobrepasar la capacidad de carga máxima permitida del equipo de elevación. Compruebe el equipo de elevación funcione correctamente antes de su utilización.

8.4.1 Montaje mural y sobre el suelo

- ✓ Agitador puesto fuera de servicio.
- ✓ Lugar de trabajo vaciado, limpiado y desinfectado en caso necesario.
- ✓ Agitador limpiado y desinfectado en caso necesario.
- ✓ Realice los trabajos con dos personas.
 1. Desconecte el agitador de la red eléctrica.
 2. Desmonte y enrolle el cable de conexión.
 3. Acceda al lugar de trabajo. **¡PELIGRO! Si no se puede limpiar y desinfectar el lugar de trabajo, utilice el equipo de protección conforme al reglamento interno.**
 4. Desmonte el agitador de la pared o el suelo del depósito.
 5. Deposite el agitador sobre un palé, asegúrelo contra deslizamientos y elévelo para extraerlo del lugar de trabajo.
- ▶ Desmontaje concluido. Limpie a fondo el agitador y almacénelo.

8.4.2 Utilización con dispositivo de bajada

- ✓ Agitador puesto fuera de servicio.
- ✓ Equipo de protección utilizado según el reglamento interno.
 1. Desconecte el agitador de la red eléctrica.
 2. Desmonte y enrolle el cable de conexión.
 3. Coloque el equipo de elevación en el mecanismo de elevación.
 4. Eleve lentamente el agitador y extráigalo del depósito. Durante el proceso de elevación, suelte y enrolle el cable de conexión del equipo de elevación.

¡PELIGRO! El agitador y el cable de conexión salen directamente del fluido. Utilice el equipo de protección según el reglamento interno.

5. Gire el agitador y deposítelo sobre una base segura.
- ▶ Desmontaje concluido. Limpie a fondo el agitador y el lugar de depósito, desinfectelo en caso necesario y almacene el agitador.

8.4.3 Limpieza y desinfección

PELIGRO



Peligro por fluidos perjudiciales para la salud.

Si el agitador se ha utilizado en un fluido perjudicial para la salud, existe riesgo de lesiones mortales. Descontamine el agitador antes de realizar cualquier trabajo posterior. Durante los trabajos de limpieza lleve puesto el siguiente equipo de protección:

- Gafas de protección cerradas
 - Máscara respiratoria
 - Guantes de protección
- ⇒ El equipo indicado es el requisito mínimo, siga las indicaciones del reglamento interno. El operador debe asegurarse de que el personal ha recibido y leído el reglamento interno.

- ✓ Agitador desmontado.
- ✓ Extremo abierto del cable de conexión cerrado de manera impermeable.
- ✓ El agua de limpieza sucia se debe guiar al canal de aguas residuales según las normativas locales.
- ✓ Para agitadores contaminados hay disponible un desinfectante.
 1. Fijar el equipo de elevación en el punto de anclaje.
 2. Eleve el agitador a aprox. 30 cm (10 in) sobre el suelo.
 3. Rocíe el agitador con agua limpia de arriba hacia abajo. **¡AVISO! En caso de agitadores contaminados, utilice el desinfectante correspondiente. Siga estrictamente las indicaciones del reglamento interno.**
 4. Rocíe la hélice desde todos los lados.
 5. Enjuague todos los restos de suciedad del suelo dirigiéndolos al alcantarillado.
 6. Deje secar el agitador.

9 Mantenimiento

PELIGRO



Peligro por fluidos perjudiciales para la salud.

Si se utiliza el agitador en fluidos perjudiciales para la salud, existe riesgo de lesiones mortales.

- Descontamine el agitador tras el desmontaje y antes de realizar cualquier trabajo posterior.
- Tenga en cuenta las indicaciones del reglamento interno. El operador debe asegurarse de que el personal ha recibido y leído el reglamento interno.

AVISO



Utilice solamente un equipo de elevación en perfecto estado técnico.

Utilice solamente un equipo de elevación en perfecto estado técnico para elevar y descender el agitador. Asegure que el agitador no se queda enganchado durante la elevación y el descenso. **No** se debe sobrepasar la capacidad de carga máxima permitida del equipo de elevación. Compruebe el equipo de elevación funcione correctamente antes de su utilización.

- Realice los trabajos de mantenimiento siempre en un lugar limpio con una aeración e iluminación buenas. Coloque el agitador sobre una base firme y asegúrelo contra caídas/deslizamientos. **¡AVISO! No coloque el agitador sobre la hélice.**
- Solo puede llevar a cabo los trabajos de mantenimiento descritos en estas instrucciones de instalación y funcionamiento.
- Durante los trabajos de mantenimiento se debe llevar el siguiente equipo de protección:
 - Gafas protectoras
 - Calzado de seguridad
 - Guantes de seguridad

9.1 Cualificación del personal

- Trabajos eléctricos: un electricista especializado debe realizar los trabajos eléctricos.
- Trabajos de mantenimiento: el personal especializado debe estar familiarizado con el manejo de los materiales de servicio usados y su eliminación. Además, el personal especializado debe tener conocimientos básicos sobre la construcción de máquinas.

9.2 Obligaciones del operador

- Facilitar el equipo de protección necesario y asegurarse de que el personal lo utiliza.
- El material de servicio se debe recoger en depósitos apropiados y desecharse según la normativa.
- Desechar el equipo de protección utilizado según la normativa.
- Usar solo piezas originales del fabricante. El uso de piezas no originales exime al fabricante de toda responsabilidad.
- Los escapes de fluidos y de material de servicio se deben registrar de inmediato y eliminar según las directivas locales vigentes.
- Disponer las herramientas necesarias a su disposición.
- Están prohibidos los fuegos o llamas abiertas, o incluso fumar, si se están utilizando disolventes y detergentes muy inflamables.

9.3 Material de servicio

9.3.1 Tipos de aceite

La cámara de separación está llena, de fábrica, de un aceite blanco médico. Para un cambio de aceite, se recomiendan los siguientes tipos de aceite:

- Aral Autin PL*
- Shell ONDINA 919
- Esso MARCOL 52* u 82*
- BP WHITEMORE WOM 14*
- Texaco Pharmaceutical 30* o 40*

Todos los tipos de aceite marcados con un «*» están autorizados para alimentos de conformidad con «USDA-H1».

9.3.2 Grasa lubricante

Deben utilizarse las siguientes grasas lubricantes:

- Esso Unirex N3
- Tripol Molub-Alloy-Food Proof 823 FM (con **homologación «USDA-H1»**)

9.3.3 Cantidades de llenado

- OPTI-TR 20-1: 0,35 l (12 US.fl.oz.)
- OPTI-TR 28-1: 0,35 l (12 US.fl.oz.)
- OPTI-TR 30-1: 1,10 l (37 US.fl.oz.)
- OPTI-TR 40-1: 1,10 l (37 US.fl.oz.)
- EXCEL-TRE 20: 0,35 l (12 US.fl.oz.)
- EXCEL-TRE 30: 1,10 l (37 US.fl.oz.)
- EXCEL-TRE 40: 1,10 l (37 US.fl.oz.)

Las cantidades de llenado indicadas son válidas para los tipos de instalación descritos. En caso de que hubiera otros tipos de instalación, tome las cantidades de llenado de la ficha técnica adjunta.

9.4 Intervalos de mantenimiento

Para garantizar un funcionamiento fiable, lleve a cabo los trabajos de mantenimiento con regularidad. En función de las condiciones ambiente reales, puede fijar intervalos de mantenimiento que difieran de lo estipulado contractualmente. Si durante el funcionamiento se dan vibraciones fuertes, lleve a cabo un control del agitador y de la instalación independientemente de los intervalos de mantenimiento fijados.

9.4.1 Intervalos de mantenimiento para condiciones normales

8000 horas de servicio o a más tardar transcurridos 2 años

- Control visual del cable de conexión
- Control visual de las abrazaderas de cables y el arriostamiento del cable
- Control visual del agitador en busca de desgaste
- Comprobación de funcionamiento de los dispositivos de vigilancia
- Control visual de los accesorios
- Cambio de aceite

15000 horas de servicio o a más tardar transcurridos 10 años

- Reparación general

9.4.2 Intervalos de mantenimiento en condiciones difíciles

En caso de condiciones de funcionamiento difíciles se deberán acortar los intervalos de mantenimiento especificados si fuera necesario. Las condiciones de funcionamiento difíciles se producen por:

- Fluidos con componentes de fibras largas
- Fluidos muy corrosivos o abrasivos
- Fluidos muy gasificantes
- Funcionamiento en un punto de funcionamiento no óptimo
- Condiciones desfavorables de entrada de flujo (por ejemplo: condicionadas por elementos instalados o la aeración)

En caso de utilizar el agitador en condiciones de funcionamiento difíciles, se recomienda celebrar un contrato de mantenimiento. Ponerse en contacto con el servicio técnico.

9.5 Medidas de mantenimiento

ADVERTENCIA



Pala de la hélice con bordes afilados.

En las palas de la hélice pueden formarse bordes afilados. Existe peligro de cortes en las extremidades. Utilice guantes de protección contra cortes.

ADVERTENCIA



Lesiones en manos, pies u ojos por ausencia de equipo de protección.

Existe peligro de lesiones (graves) durante el trabajo. Llevar el siguiente equipo de protección:

- Guantes de protección contra cortes
- Calzado de seguridad
- Gafas de protección cerradas

Antes de comenzar las medidas de mantenimiento, cumpla los siguientes requisitos:

- El motor se ha enfriado a temperatura ambiente.
- El agitador se ha limpiado y desinfectado a fondo (en caso necesario).

9.5.1 Medidas de mantenimiento recomendadas

Para un funcionamiento correcto, se recomienda un control periódico de la intensidad absorbida y la tensión de funcionamiento en las tres fases. Estos valores se mantienen cons-

tantes durante el funcionamiento normal. Las oscilaciones leves dependen de la composición del fluido.

Según la intensidad absorbida se pueden detectar y subsanar a tiempo daños y fallos de funcionamiento del agitador. Las fluctuaciones más importantes de tensión ejercen un esfuerzo sobre el bobinado del motor y pueden provocar una avería. Un control periódico puede evitar grandes daños derivados y el riesgo de siniestro total. Para un control periódico se recomienda el uso de un control a distancia.

9.5.2 Control visual del cable de conexión

Compruebe el cable de conexión en busca de:

- Burbujas
- Fisuras
- Arañazos
- Puntos de desgaste
- Partes aplastadas
- Cambios por ataque químico

Si se han detectado daños en el cable de conexión, ponga fuera de servicio inmediatamente el agitador. Encargue al servicio técnico la sustitución del cable de conexión. Ponga el agitador de nuevo en marcha tras subsanar correctamente los daños.

¡ATENCIÓN! El agua puede penetrar en el agitador a través del cable de conexión dañado. La entrada de agua provoca el siniestro total del agitador.

9.5.3 Control visual de las abrazaderas de cables y el arriostramiento del cable

Compruebe las abrazaderas de cables y el arriostramiento del cable de conexión (equipo de elevación o cable de nailon independiente) en busca de fatiga o merma del material. En caso de signos de desgaste, sustituya inmediatamente los componentes defectuosos.

9.5.4 Control visual del agitador en busca de desgaste

Compruebe cada componente (hélice, buje, etc.) en busca de daños y desgaste. Si se detectan defectos, tenga en cuenta los siguientes puntos:

- Si el recubrimiento está dañado, repare el recubrimiento.
- Si los componentes están desgastados, póngase en contacto con el servicio técnico y sustituya los componentes.

9.5.5 Comprobación de funcionamiento de los dispositivos de vigilancia

Para comprobar las resistencias, el agitador se debe enfriar a temperatura ambiente.

9.5.5.1 Comprobación de la resistencia del sensor de temperatura

La resistencia del sensor de temperatura se debe medir con un ohmímetro. Se deben respetar los siguientes valores de medición:

- **Sensor bimetálico:** valor de medición = 0 ohmios (paso).
- **Sensor PTC (posistor):** valor de medición en función del número de sensores montados. El sensor PTC dispone de una resistencia al frío de entre 20 y 100 ohmios.
 - Con **tres** sensores en serie, el valor de medición se encuentra entre 60 y 300 ohmios.
 - Con **cuatro** sensores en serie, el valor de medición se encuentra entre 80 y 400 ohmios.

9.5.5.2 Comprobación de la resistencia del electrodo externo para el control de la sección impermeable

La resistencia del electrodo se debe medir con un ohmímetro. El valor medido debe tender a «infinito». Con los valores ≤ 30 kiloohmios hay agua en el aceite, realizar un cambio de aceite.

9.5.6 Control visual de los accesorios

Se deben comprobar los accesorios en cuanto a:

- Una correcta fijación
- Un función perfecta
- Signos de desgaste, p. ej. fisuras por vibraciones

Los defectos detectados se deben reparar de inmediato o se debe sustituir el accesorio.

9.5.7 Cambio de aceite

ADVERTENCIA



Material de servicio bajo alta presión:

En el motor se puede generar **una presión de varios bar**. Esta presión se escapa **al abrir** el tapón roscado. Los tapones roscados que se hayan dejado sueltos por un descuido pueden salir disparados a gran velocidad. Para evitar lesiones, se deben observar las siguientes instrucciones:

- Se debe respetar el orden establecido de los pasos de trabajo.
- Retirar los tapones roscados despacio y nunca del todo. En cuanto se escapa la presión (silbido o pitido audible del aire), no se debe seguir girando.
- Esperar hasta que la presión haya escapado completamente para sacar completamente los tapones roscados.
- Utilizar gafas de protección cerradas.

ADVERTENCIA



Escaldaduras por material de servicio caliente.

Si se escapa la presión, también se puede salpicar el material de servicio. De esta manera se pueden producir escaldaduras. Para evitar lesiones, tenga en cuenta las siguientes instrucciones:

- Deje enfriar el motor a temperatura ambiente, después abra los tapones roscados.
- Utilice gafas de protección cerradas o una protección facial y guantes.

9.5.7.1 Cambio de aceite del alojamiento de la junta (TR 20-1/28-1, TRE 20)

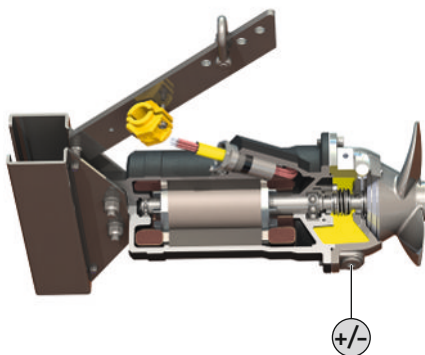


Fig. 13: Cambio de aceite

+/- Vierta o extraiga aceite en el alojamiento de la junta

- ✓ El agitador **no** está montado.
 - ✓ El agitador **no** está conectado a la red eléctrica.
 - ✓ Debe llevar puesto el equipo de protección.
1. Coloque el agitador en horizontal sobre una base firme.
¡ADVERTENCIA! Peligro de aplastamiento de las manos. Asegúrese de que el agitador no se caiga ni deslice.
¡ATENCIÓN! No coloque el agitador sobre la hélice. En función del diámetro de la hélice, utilice una plataforma.
 2. Coloque un depósito adecuado para recoger el material de servicio.
 3. Desenrosque el tapón roscado **(+/-)**.
 4. Vuelque el agitador y extraiga el material de servicio.
 5. Compruebe el material de servicio: Si hay virutas metálicas en el material de servicio, informe al servicio técnico.
 6. Deseche el material de servicio según las normativas locales.
 7. Coloque de nuevo el agitador en horizontal para que el orificio apunte hacia arriba.
 8. Vierta material de servicio por el orificio del tapón roscado **(+/-)**.
⇒ Respete los datos respecto al tipo y la cantidad de material de servicio.
 9. Limpie el tapón roscado **(+/-)**, coloque un anillo de retención nuevo y enrósquelo de nuevo. **Par de apriete máx.: 8 Nm (5,9 ft·lb).**
 10. Vuelva a aplicar la protección contra la corrosión: selle los tapones roscados, por ejemplo, con Sikaflex.

9.5.7.2 Cambio de aceite del alojamiento de la junta (TR 30-1/40-1, TRE 30/40)

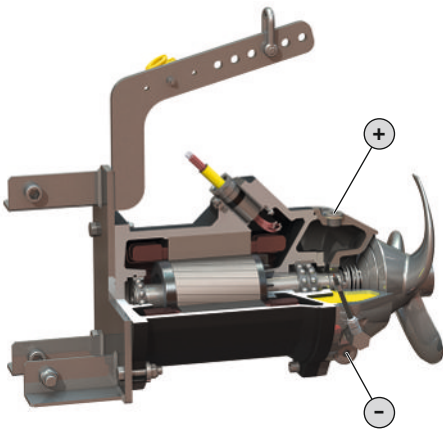


Fig. 14: Cambio de aceite

+	Vierta aceite en el alojamiento de la junta
-	Extraiga el aceite del alojamiento de la junta

- ✓ El agitador **no** está montado.
- ✓ El agitador **no** está conectado a la red eléctrica.
- ✓ Debe llevar puesto el equipo de protección.
 1. Coloque el agitador en horizontal sobre una base firme.
¡ADVERTENCIA! Peligro de aplastamiento de las manos. Asegúrese de que el agitador no se caiga ni deslice.
¡ATENCIÓN! No coloque el agitador sobre la hélice. En función del diámetro de la hélice, utilice una plataforma.
 2. Coloque un depósito adecuado para recoger el material de servicio.
 3. Desenrosque el tapón roscado (+).
 4. Desenrosque el tapón roscado (-) y extraiga el material de servicio.
 5. Compruebe el material de servicio: Si hay virutas metálicas en el material de servicio, informe al servicio técnico.
 6. Deseche el material de servicio según las normativas locales.
 7. Limpie el tapón roscado (-), coloque un anillo de retención nuevo y vuelva a enroscarlo.
Par de apriete máx.: 8 Nm (5,9 ft·lb).
 8. Vierta material de servicio por el orificio del tapón roscado (+).
⇒ Respete los datos respecto al tipo y la cantidad de material de servicio.
 9. Limpie el tapón roscado (+), coloque un anillo de retención nuevo y vuelva a enroscarlo.
Par de apriete máx.: 8 Nm (5,9 ft·lb).
 10. Vuelva a aplicar la protección contra la corrosión: selle los tapones roscados, por ejemplo, con Sikaflex.

9.5.8 Reparación general

En la reparación general se verifica posible desgaste y daños de los componentes siguientes:

- Rodamiento
- Cojinete del engranaje y elemento epicicloidial
- Hélice
- Sellados de eje
- Juntas tóricas
- Cable de conexión
- Accesorios instalados

Los componentes dañados se sustituyen por piezas originales. De este modo se garantiza un funcionamiento correcto. El fabricante o un taller de servicio autorizado son los encargados de llevar a cabo la reparación general.

9.6 Trabajos de reparación

ADVERTENCIA



Pala de la hélice con bordes afilados.

En las palas de la hélice pueden formarse bordes afilados. Existe peligro de cortes en las extremidades. Utilice guantes de protección contra cortes.

ADVERTENCIA



Lesiones en manos, pies u ojos por ausencia de equipo de protección.

Existe peligro de lesiones (graves) durante el trabajo. Llevar el siguiente equipo de protección:

- Guantes de protección contra cortes
- Calzado de seguridad
- Gafas de protección cerradas

Antes de comenzar los trabajos de reparación, cumpla los siguientes requisitos:

- El agitador se ha enfriado a temperatura ambiente.
- El agitador se ha desconectado de la tensión y está asegurado contra conexiones involuntarias.
- El agitador se ha limpiado y desinfectado a fondo (en caso necesario).

En los trabajos de reparación rige en general:

- Recoja inmediatamente líquidos que goteen de fluido y material de servicio.
- Sustituya siempre las juntas tóricas, las juntas y los seguros de tornillos.
- Observe los pares de apriete indicados en el anexo.
- En estos trabajos queda terminantemente prohibido el uso de la fuerza.

9.6.1 Indicaciones para el uso de seguros de tornillos

Los tornillos pueden contar con un seguro (líquido) de tornillos. El seguro de tornillo se lleva a cabo de fábrica de dos formas distintas:

- Seguro líquido de tornillos
- Seguro de tornillos mecánico

Renueve siempre el seguro de tornillo.

Seguro líquido de tornillos

Con el seguro líquido de tornillos se utilizan seguros de tornillos semisólidos (por ejemplo: Loctite 243). Estos seguros de tornillos se pueden disolver aplicando una fuerza elevada. Si el seguro de tornillos no se afloja, debe calentar la conexión a aprox. 300 °C (572 °F). Limpiar minuciosamente los componentes tras el desmontaje.

Seguro de tornillos mecánico

El seguro de tornillos mecánico está compuesto por dos arandelas con bloqueo de cuña Nord-Lock. El seguro de la unión atornillada tiene lugar aquí mediante la fuerza de apriete.

9.6.2 ¿Qué trabajos de reparación puede llevar a cabo?

- Cambio de hélice
- Sustituya el cierre mecánico del lado del fluido.
- Sustituya el bastidor.
- Sustituya el soporte para el montaje sobre el suelo.

9.6.3 Cambio de hélice

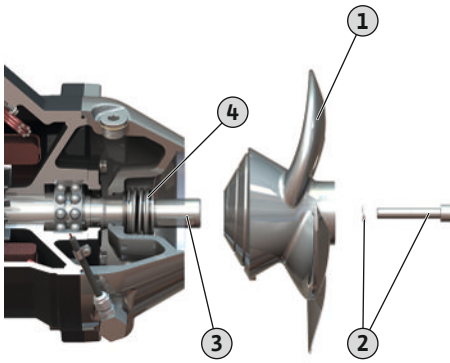


Fig. 15: Cambio de hélice

1	Hélice
2	Fijación de la hélice: tornillo de cabeza con hexágono interior y arandela
3	Eje
4	Cierre mecánico

- ✓ Agitador colocado y asegurado sobre una base firme.
 - ✓ Las herramientas están preparadas.
1. Afloje y desenrosque la fijación de la hélice. **¡AVISO! Bloquee la hélice con la herramienta adecuada.**
 2. Extraiga con cuidado la hélice del eje. **¡ATENCIÓN! Ya no se fija más el cierre mecánico. Opere el agitador solo con la hélice. Si se opera el agitador sin hélice, se dañará el cierre mecánico. En caso de defectos en el cierre mecánico, el aceite se saldrá de la cámara de separación.**
 3. Limpie el eje y aplique grasa lubricante nueva.
 4. Desplace con cuidado la hélice nueva hasta el tope.
 5. Aplique seguro líquido de tornillos en el tornillo de cabeza con hexágono interior, coloque la arandela y enrosque el tornillo en el eje.
 6. Apriete firmemente la fijación de la hélice. Par de apriete máximo: véase anexo.
 7. Gire manualmente la hélice y compruebe si marcha suavemente.
- Hélice cambiada. Compruebe la cantidad de aceite en el alojamiento de la junta y llénelo en caso necesario.

9.6.4 Sustitución del cierre mecánico del lado del fluido

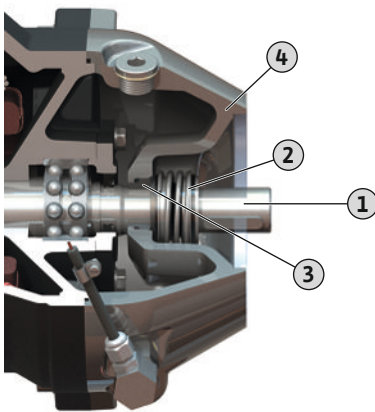


Fig. 16: Cambio de cierre mecánico

1	Eje
2	Cierre mecánico: resorte
3	Cierre mecánico: anillo estático
4	Carcasa de la junta

- ✓ Agitador colocado y asegurado sobre una base firme.
 - ✓ Las herramientas están preparadas.
 - ✓ Aceite extraído de la carcasa de la junta.
 - ✓ Hélice desmontada.
1. Extraiga la chaveta del eje.
 2. Extraiga el resorte del cierre mecánico con disco de apoyo del eje.
 3. Presione el anillo estático del cierre mecánico para sacarlo del asiento del alojamiento y extráigalo del eje.
 4. Limpie el eje y compruebe el desgaste y la corrosión. **¡ADVERTENCIA! Si el eje presenta daños, contacte con el servicio técnico.**
 5. Lubrique el eje con agua de baja tensión o detergente. **¡ATENCIÓN! Queda estrictamente prohibido emplear aceite o grasa como lubricante.**
 6. Inserte un nuevo anillo estático del cierre mecánico presionándolo en el asiento de la carcasa con ayuda de una herramienta de montaje. **¡ATENCIÓN! No ladee el anillo estático al insertarlo con presión. Si el anillo estático estuviera ladeado al insertarlo con presión, se romperá. Ya no se podrá utilizar el cierre mecánico.**
 7. Introduzca el resorte nuevo del cierre mecánico con disco de apoyo en el eje.
 8. Limpie la chaveta y colóquela en la ranura del eje.
 9. Monte la hélice.
- Cierre mecánico cambiado. Llene con aceite el alojamiento de la junta.

9.6.5 Sustitución del bastidor

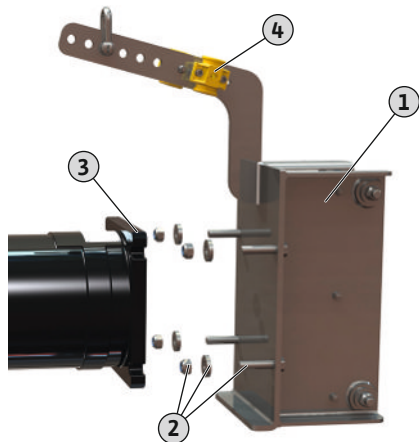


Fig. 17: Sustitución del bastidor

1	Bastidor
2	4 materiales de fijación: tornillo hexagonal, arandela, tuerca hexagonal
3	Brida del motor
4	Abrazadera de cables para descarga de tracción

- ✓ Agitador colocado y asegurado sobre una base firme.
 - ✓ El motor está apoyado, por lo que el bastidor se puede cambiar sin problemas.
 - ✓ Las herramientas están preparadas.
1. Abra las abrazaderas de cables y extraiga el cable de conexión.
 2. Suelte y gire las tuercas hexagonales para retirarlas.
 3. Extraiga las arandelas de los tornillos hexagonales.
 4. Extraiga el bastidor de la brida del motor.
 5. Limpie la suciedad de la brida del motor, p. ej., de depósitos de basura o material de sellado acumulado.
 6. Extraiga los tornillos hexagonales del bastidor e introdúzcalos en el nuevo bastidor.
 7. Aplique seguro líquido de tornillos en los tornillos hexagonales.
 8. Introduzca el nuevo bastidor en la brida del motor.
 9. Introduzca las arandelas en los tornillos hexagonales.
 10. Enrosque las tuercas hexagonales y apriételas firmemente. Par de apriete máximo: véase anexo.
 11. Coloque el cable de conexión en las abrazaderas de cables y ciérrelas. **¡ATENCIÓN! No apriete firmemente aún las abrazaderas de cables.**
 12. Alinee el cable de conexión: el cable de conexión forma un pequeño arco, no está tensado.
 13. Cierre firmemente las abrazaderas de cables.
 14. Aplique la protección contra la corrosión (p. ej.: Sikaflex):
 - ranura de sellado entre la brida del motor y el bastidor.
 - llene los orificios longitudinales de la brida del motor hasta la arandela.
- Bastidor cambiado.

9.6.6 Sustitución del soporte para el montaje sobre el suelo

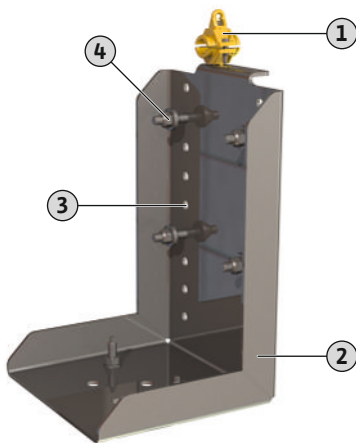


Fig. 18: Soporte para el montaje sobre el suelo

1	Abrazadera de cables para descarga de tracción
2	Bancada
3	Retículo de altura
4	4 materiales de fijación: tornillo hexagonal, arandela, tuerca hexagonal

- ✓ Agitador colocado sobre una base firme.
 - ✓ Realice los trabajos con dos personas.
 - ✓ Las herramientas están preparadas.
1. Abra las abrazaderas de cables y extraiga el cable de conexión.
 2. Suelte y gire las tuercas hexagonales para retirarlas.
 3. Extraiga las arandelas de los tornillos hexagonales.
 4. 2.ª persona: extraiga el agitador del soporte y sujete el agitador.
 5. Extraiga los tornillos hexagonales.
 6. Introduzca los tornillos hexagonales en el soporte nuevo. **¡AVISO! Tenga en cuenta el retículo de altura. La hélice no debe golpear el suelo.**
 7. 2.ª persona: introduzca el agitador en los tornillos hexagonales.

8. Introduzca las arandelas en los tornillos hexagonales.
9. Enrosque las tuercas hexagonales y apriételas firmemente. Par de apriete máximo: véase anexo.
10. Coloque el cable de conexión en las abrazaderas de cables y ciérrelas. **¡ATENCIÓN! No apriete firmemente aún las abrazaderas de cables.**
11. Alinee el cable de conexión: el cable de conexión forma un pequeño arco, no está tenso.
12. Cierre firmemente las abrazaderas de cables.
 - ▶ Soporte cambiado.

10 Averías, causas y soluciones

PELIGRO



Peligro por fluidos perjudiciales para la salud.

En el caso de agitadores en fluidos perjudiciales para la salud, existe riesgo de lesiones mortales. Durante los trabajos utilice el siguiente equipo de protección:

- Gafas de protección cerradas
- Máscara respiratoria
- Guantes de protección

⇒ El equipo indicado es el requisito mínimo, siga las indicaciones del reglamento interno. El operador debe asegurarse de que el personal ha recibido y leído el reglamento interno.

PELIGRO



Riesgo de lesiones mortales por corriente eléctrica.

Un comportamiento indebido durante los trabajos eléctricos puede provocar la muerte por electrocución. Un electricista especializado debe realizar los trabajos eléctricos según las normativas locales.

PELIGRO



Peligro de muerte por realizar trabajos peligrosos solo.

Los trabajos en pozos o espacios reducidos, así como los trabajos con peligro de caída son trabajos peligrosos. Estos trabajos no se pueden realizar estando solo. Como medida preventiva, debe estar presente una segunda persona.

ADVERTENCIA



Queda prohibido que haya personas en la zona de trabajo del agitador.

Durante el funcionamiento del agitador pueden producirse lesiones personales (graves). Por tanto, no puede haber ninguna persona en la zona de trabajo. Si las personas acceden a la zona de trabajo del agitador, ponga fuera de servicio el agitador y asegúrelo contra reconexiones no autorizadas.

ADVERTENCIA**Pala de la hélice con bordes afilados.**

En las palas de la hélice pueden formarse bordes afilados. Existe peligro de cortes en las extremidades. Utilice guantes de protección contra cortes.

Avería: el agitador no se pone en marcha

1. Interrupción en la alimentación eléctrica o cortocircuito/fuga a tierra en el cableado o el bobinado del motor.
 - ⇒ Un electricista especializado debe comprobar la conexión y el motor, y sustituirlos en caso necesario.
2. Activación de los fusibles, el guardamotor o los dispositivos de vigilancia.
 - ⇒ Un electricista especializado debe comprobar la conexión y los dispositivos de vigilancia, y sustituirlos en caso necesario.
 - ⇒ Un electricista especializado debe montar y ajustar el guardamotor y fusibles conforme a las especificaciones técnicas, y restablecer los dispositivos de vigilancia.
 - ⇒ Compruebe que la hélice marche suavemente, limpie la hélice y el cierre mecánico en caso necesario.
3. El control de la sección impermeable (opcional) ha interrumpido el circuito eléctrico (en función de la conexión).
 - ⇒ Véase «Avería: escape en el cierre mecánico, el control de la cámara previa/control de la sección impermeable notifica una avería y desconecta el agitador»

Avería: El agitador se pone en marcha, tras un breve tiempo la protección de motor se activa

1. El guardamotor está ajustado de forma incorrecta.
 - ⇒ Un electricista especializado debe comprobar el ajuste del disparador y corregirlo.
2. Aumento de la intensidad absorbida debido a un gran fallo de tensión.
 - ⇒ Un electricista especializado debe comprobar los valores de tensión de cada una de las fases. Consulte a la compañía eléctrica.
3. Solo hay dos fases disponibles en la conexión.
 - ⇒ Un electricista especializado debe comprobar la conexión y corregirla.
4. Diferencias de tensión demasiado grandes entre las fases.
 - ⇒ Un electricista especializado debe comprobar los valores de tensión de cada una de las fases. Consulte a la compañía eléctrica.
5. Sentido de giro incorrecto.
 - ⇒ Un electricista especializado debe corregir la conexión.
6. Intensidad absorbida elevada por enredos.
 - ⇒ Limpie la hélice y el cierre mecánico.
 - ⇒ Compruebe la limpieza previa.
7. El fluido es demasiado espeso.
 - ⇒ Compruebe el diseño de la instalación.
 - ⇒ Consulte al servicio técnico.

Avería: el agitador funciona, no se alcanzan los parámetros de la instalación

1. Hélice enredada.
 - ⇒ Limpie la hélice.
 - ⇒ Compruebe la limpieza previa.
2. Sentido de giro incorrecto.
 - ⇒ Un electricista especializado debe corregir la conexión.

3. Signos de desgaste en la hélice.
 - ⇒ Compruebe la hélice y sustitúyala en caso necesario.
4. Solo hay dos fases disponibles en la conexión.
 - ⇒ Un electricista especializado debe comprobar la conexión y corregirla.

Avería: el agitador marcha de manera inestable y generando muchos ruidos

1. Punto de funcionamiento no permitido.
 - ⇒ Compruebe la densidad y viscosidad del fluido.
 - ⇒ Compruebe el dimensionamiento de la instalación, póngase en contacto con el servicio técnico.
2. Hélice enredada.
 - ⇒ Limpie la hélice y el cierre mecánico.
 - ⇒ Compruebe la limpieza previa.
3. Solo hay dos fases disponibles en la conexión.
 - ⇒ Un electricista especializado debe comprobar la conexión y corregirla.
4. Sentido de giro incorrecto.
 - ⇒ Un electricista especializado debe corregir la conexión.
5. Signos de desgaste en la hélice.
 - ⇒ Compruebe la hélice y sustitúyala en caso necesario.
6. Rodamiento de motor desgastado.
 - ⇒ Informe al servicio técnico; devuelva el agitador a la fábrica para su reparación.

Otros pasos para la solución de averías

Si las indicaciones mencionadas no le ayudan a solucionar la avería, contacte con el servicio técnico. El servicio técnico puede ayudar de la siguiente manera:

- Ayuda telefónica o por escrito.
- Ayuda in situ.
- Comprobación y reparación en la fábrica.

El uso de los servicios del servicio técnico puede ocasionar costes adicionales. Solicite al servicio técnico información detallada al respecto.

11 Repuestos

El pedido de repuestos se hace al servicio técnico. Para evitar confusiones y errores en los pedidos, se ha de indicar siempre el número de serie o el número de artículo. **Reservado el derecho a realizar modificaciones técnicas.**

12 Eliminación

12.1 Aceites y lubricantes

El material de servicio se debe recoger en depósitos apropiados y desecharse según las directivas locales vigentes.

12.2 Ropa protectora

La ropa protectora usada se debe desechar según las directivas locales vigentes.

12.3 Información sobre la recogida de productos eléctricos y electrónicos usados

La eliminación de basura y el reciclado correctos de estos productos evitan daños medioambientales y peligros para el estado de salud.

AVISO



Está prohibido desechar estos productos con la basura doméstica

En la Unión Europea, este símbolo se encuentra bien en el producto, el embalaje o en los documentos adjuntos. Significa que los productos eléctricos y electrónicos a los que hace referencia no se deben desechar con la basura doméstica.

Para manipular, reciclar y eliminar correctamente estos productos fuera de uso, tener en cuenta los siguientes puntos:

- Depositar estos productos solo en puntos de recogida certificados e indicados para ello.
- Tener en cuenta los reglamentos vigentes locales.

Para más detalles sobre la correcta eliminación de basuras en su municipio local, preguntar en los puntos de recogida de basura cercanos o al distribuidor al que se ha comprado el producto. Para más información sobre el reciclaje, consulte www.wilo-recycling.com.

13 Anexo

13.1 Pares de apriete

Tornillos inoxidables A2/A4			
Rosca	Par de apriete		
	Nm	kp m	ft·lb
M5	5,5	0,56	4
M6	7,5	0,76	5,5
M8	18,5	1,89	13,5
M10	37	3,77	27,5
M12	57	5,81	42
M16	135	13,77	100
M20	230	23,45	170
M24	285	29,06	210
M27	415	42,31	306
M30	565	57,61	417

Si utiliza un seguro de tornillos Nord-Lock, aumente el par de apriete un 10 %.

13.2 Funcionamiento con convertidor de frecuencia

El motor puede operar en ejecución en serie (teniendo en cuenta la IEC 60034-17) en el convertidor de frecuencia. Con una tensión asignada superior a 415 V/50 Hz o 480 V/60 Hz consulte al servicio técnico. La potencia nominal del motor debe encontrarse aproximadamente un 10 % por encima de la demanda de potencia del agitador debido al calentamiento adicional por los ejes superiores. Para los convertidores de frecuencia con salida sin ondas armónicas, la reserva de potencia del 10 % podrá reducirse si es necesario. Se conseguirá una reducción de las ondas armónicas con ayuda de filtros de salida. El convertidor de frecuencia y los filtros deben estar adaptados entre sí.

El dimensionamiento del convertidor de frecuencia se realiza en función de la corriente nominal del motor. Preste atención a que el agitador funcione sin sacudidas ni vibraciones, particularmente en el rango inferior de velocidad. De lo contrario, los cierres mecánicos pueden presentar fugas y daños. Es realmente importante que, durante todo el rango de regulación, el agitador funcione sin vibraciones, resonancias, momentos pendulares y ruidos excesivos. Es normal que el motor haga mucho ruido debido a la alimentación de corriente afectada por ondas armónicas.

Durante la parametrización del convertidor de frecuencia, preste atención al ajuste de la curva característica cuadrada (curva característica U/f) para los motores sumergibles y ventiladores. La curva característica U/f garantiza que, en frecuencias inferiores a la frecuencia nominal (50 Hz o 60 Hz), la tensión de salida se adapte a la demanda de potencia del agitador. Los convertidores de frecuencia nuevos también permiten una optimización automática de la energía, ya que este sistema automático consigue el mismo efecto. Observe las instrucciones de instalación y funcionamiento del convertidor de frecuencia durante el ajuste del convertidor de frecuencia.

Si se operan los motores con un convertidor de frecuencia, en función del tipo y las condiciones de instalación se pueden producir averías en la vigilancia del motor. Las siguientes medidas pueden contribuir a reducir o prevenir estas averías:

- Respete los valores límite de sobretensión y velocidad de aumento conforme a IEC 60034-25. Es posible que deba montar filtros de salida.
- Varíe la frecuencia de pulso del convertidor de frecuencia.
- En caso de avería del control interno del control de la sección impermeable, utilice el electrodo de varilla doble externo.

Las siguientes medidas constructivas también pueden contribuir a la reducción o la prevención de averías:

- Cable de entrada de corriente independiente para el cable de mando y el cable principal (según el tamaño del motor).
- Durante el tendido, respete la distancia suficiente entre el cable principal y el cable de control.
- Aplicación de cables de entrada de corriente apantallados.

Resumen

- Funcionamiento continuo hasta la frecuencia nominal (50 Hz o 60 Hz).
- Observe las medidas adicionales relativas a las normativas de compatibilidad electromagnética (selección de convertidor de frecuencia, uso de filtros, etc.).
- No supere nunca ni la velocidad nominal ni la intensidad nominal del motor.
- Debe existir la posibilidad de conectar el control de temperatura propio del motor (sensor bimetálico o PTC).

13.3 Homologación para uso en zonas explosivas

Este capítulo incluye más información sobre el funcionamiento del agitador en una atmósfera explosiva. Todo el personal debe leer este capítulo. **Este capítulo es válido únicamente para agitadores con una homologación para uso en zonas explosivas.**

13.3.1 Identificación de agitadores homologados para zonas explosivas

Para el uso en atmósferas explosivas, identifique el agitador en la placa de características como sigue:

- Símbolo «Ex» de la correspondiente homologación
- Clasificación antideflagrante
- Número de certificación (en función de la homologación)

El número de certificación está impreso, siempre que lo requiera la homologación, en la placa de características.

13.3.2 Tipo de protección

La ejecución constructiva del motor cumple los siguientes tipos de protección:

- Envoltura antideflagrante (ATEX)
- Explosionproof (FM)
- Flameproof enclosures (CSA-EX)

Para limitar la temperatura de las superficies, el motor debe estar equipado al menos con un delimitador de temperatura (control de temperatura de 1 circuito). Regulador de temperatura disponible (control de temperatura de 2 circuitos).

13.3.3 Aplicaciones

Homologación ATEX

Los agitadores son para el funcionamiento en áreas con riesgo de explosión:

- Grupo de aparatos: II
- Categoría: 2, zona 1 y zona 2

Los agitadores no se deben utilizar en la zona 0.

Homologación FM

Los agitadores son para el funcionamiento en áreas con riesgo de explosión:

- Tipo de protección: Explosionproof
- Categoría: Class I, Division 1

Aviso: Si el cableado se realiza según Division 1, la instalación también está homologada para Class I, Division 2.

Homologación para uso en zonas explosivas de CSA

Los agitadores son para el funcionamiento en áreas con riesgo de explosión:

- Tipo de protección: Explosion-proof

- Categoría: Class 1, Division 1

13.3.4 Conexión eléctrica

PELIGRO



Riesgo de lesiones mortales por corriente eléctrica.

Un comportamiento indebido durante los trabajos eléctricos puede provocar la muerte por electrocución. Un electricista especializado debe realizar los trabajos eléctricos según las normativas locales.

- Establezca la conexión eléctrica del agitador siempre fuera del área explosiva. Si la conexión debe tener lugar dentro del área explosiva, lleve a cabo la conexión en una carcasa homologada para áreas con riesgo de explosión (tipo de protección contra encendido según DIN EN 60079-0). En caso de no respetar lo anterior, existe riesgo de lesiones mortales debido a explosiones. La conexión debe ser realizada siempre por un electricista especializado.
- Todos los dispositivos de vigilancia que se encuentren fuera de las «áreas con protección antideflagrante» deben estar conectados mediante un circuito eléctrico intrínsecamente seguro (por ejemplo: Ex-i relé XR-4...).
- La tolerancia de tensión debe ser como máximo del $\pm 10\%$.

Vista general de los dispositivos de vigilancia posibles:

Tipo	OPTI-TR 20-1	EXCEL-TRE 20	OPTI-TR 28-1	OPTI-TR 30-1	EXCEL-TRE 30	OPTI-TR 40-1	EXCEL-TRE 40
Compartimento del motor	o	o	o	–	–	–	–
Bobina del motor: Delimitador de temperatura	•	•	•	o	o	o	o
Bobina del motor: Regulador y delimitador de temperatura	o	o	o	•	•	•	•
Cámara de separación (electrodo de varilla externo)	o	o	o	o	o	o	o

Leyenda

– = no disponible/no es posible, o = opcional, • = de serie

13.3.4.1 Vigilancia de bobina del motor

PELIGRO



¡Peligro de explosión por sobrecalentamiento del motor!

Si el delimitador de temperatura se conecta incorrectamente, existe peligro de explosión por sobrecalentamiento del motor. Conectar siempre el delimitador de temperatura con un bloqueo manual de reconexión. Esto significa que una «Tecla de desbloqueo» debe accionarse manualmente.

En función de la ejecución del control térmico del motor, al alcanzar el valor umbral se sucede el siguiente estado de accionamiento:

- Delimitador de temperatura (1 circuito de temperatura):
Al alcanzar el valor umbral lleve a cabo una desconexión **con bloqueo de reconexión**.
- Regulador y delimitador de temperatura (2 circuitos de temperatura):
Al alcanzar el valor umbral para la temperatura mínima se puede efectuar una desconexión con reconexión automática. Al alcanzar el valor umbral para la temperatura máxima lleve a cabo una desconexión **con bloqueo manual de reconexión**.

¡ATENCIÓN! Daños en el motor por sobrecalentamiento. Durante una reconexión automática, respete las indicaciones relativas a la frecuencia de arranque máxima y la pausa de conmutación.

Conexión del control térmico del motor

- Conectar el sensor bimetálico mediante el relé de evaluación. Para ello se recomienda el relé «CM-MSS». El valor umbral está preajustado.
Valores de conexión: máx. 250 V (CA), 2,5 A, $\cos \varphi = 1$
 - Conectar el sensor PTC mediante un relé de evaluación. Para ello se recomienda el relé «CM-MSS». El valor umbral está preajustado.
 - Conectar el electrodo de varilla externo mediante un relé de evaluación homologado para su uso en zonas explosivas. Para ello se recomienda el relé «XR-4...».
El valor umbral es de 30 kiloohmios.
 - La conexión debe realizarse a través de un circuito eléctrico intrínsecamente seguro.
- 13.3.4.2 Vigilancia de la cámara de obturación (electrodo externo)**
- Tipo de convertidor: Modulación de la duración de impulsos
 - Funcionamiento continuo: 30 Hz hasta la frecuencia nominal (50 Hz o 60 Hz).
 - Frecuencia de conmutación mínima: 4 kHz
 - Sobretensiones máximas en el tablero de abrazaderos: 1350 V
 - Corriente de salida en el convertidor de frecuencia: máximo 1,5 veces la intensidad nominal
 - Tiempo de sobrecarga máx.: 60 s
 - Aplicaciones de par de apriete: curva característica cuadrada
Las curvas características necesarias de velocidad/par de apriete están disponibles bajo consulta.
 - Observe las medidas adicionales relativas a las normativas de compatibilidad electromagnética (selección de convertidor de frecuencia, filtros, etc.).
 - No supere nunca ni la velocidad nominal ni la intensidad nominal del motor.
 - Debe existir la posibilidad de conectar el control de temperatura propio del motor (sensor bimetálico o PTC).
 - En caso de que la clase de temperatura señale T4/T3, tendrá prevalencia la clase de temperatura T3.
- 13.3.4.3 Funcionamiento en el convertidor de frecuencia**

13.3.5 Puesta en marcha

PELIGRO



Peligro de explosión al utilizar agitadores no homologados.

Peligro de muerte por explosión. Dentro de las áreas con riesgo de explosión, solo se pueden utilizar los agitadores que cuenten en la placa de características con la identificación para zonas explosivas.

- El operador es el responsable de delimitar el área con riesgo de explosión.
- Dentro de las áreas con riesgo de explosión, solo está permitida la utilización de agitadores con homologación para uso en zonas explosivas.
- Los agitadores que posean una homologación para su uso en zonas explosivas deben estar identificados de este modo en la placa de características.
- No supere la **temperatura de fluido máxima**.
- Conforme a DIN EN 50495, para la categoría 2 se prevé un dispositivo de seguridad con el SIL-Leve 1 y una tolerancia de errores de hardware 0.

13.3.6 Mantenimiento

- Realizar los trabajos de mantenimiento según las normativas.
- Solo se pueden llevar a cabo los trabajos de mantenimiento descritos en estas instrucciones de instalación y funcionamiento.
- Realizar una reparación en las columnas con protección antideflagrante **solo** de conformidad con las especificaciones constructivas del fabricante. **No** está permitido realizar una reparación conforme a los valores incluidos en las tablas 1 y 2 de DIN EN 60079-1.
- Solo se deben utilizar los tapones roscados especificados por el fabricante que se correspondan al menos con la clase de resistencia de 600 N/mm² (38,85 toneladas larga de fuerza/in²).

13.3.6.1 Reparación del recubrimiento de la carcasa

Si las capas son más gruesas, la pintura puede cargarse electrostáticamente. **¡PELIGRO! Peligro de explosión. En atmósferas explosivas puede producirse una explosión en caso de descarga.**

Si se debe mejorar el revestimiento de la carcasa, el grosor máximo de la capa es de 2 mm (0,08 in).

13.3.6.2 Cambio de cable de conexión

Queda estrictamente prohibido cambiar el cable de conexión.

13.3.6.3 Cambio del cierre mecánico

Queda estrictamente prohibido cambiar el sellado del lado del motor.



Wilo – International (Subsidiaries)

Argentina

WILO SALMSON
Argentina S.A.
C1295ABI Ciudad
Autónoma de Buenos Aires
T +54 11 4361 5929
matias.monea@wilo.com.ar

Australia

WILO Australia Pty Limited
Murrarrie, Queensland, 4172
T +61 7 3907 6900
chris.dayton@wilo.com.au

Austria

WILO Pumpen Österreich
GmbH
2351 Wiener Neudorf
T +43 507 507-0
office@wilo.at

Azerbaijan

WILO Caspian LLC
1065 Baku
T +994 12 5962372
info@wilo.az

Belarus

WILO Bel IOOO
220035 Minsk
T +375 17 3963446
wilo@wilo.by

Belgium

WILO NV/SA
1083 Ganshoren
T +32 2 4823333
info@wilo.be

Bulgaria

WILO Bulgaria EOOD
1125 Sofia
T +359 2 9701970
info@wilo.bg

Brazil

WILO Comercio e
Importacao Ltda
Jundiaí – São Paulo – Brasil
13.213-105
T +55 11 2923 9456
wilo@wilo-brasil.com.br

Canada

WILO Canada Inc.
Calgary, Alberta T2A 5L7
T +1 403 2769456
info@wilo-canada.com

China

WILO China Ltd.
101300 Beijing
T +86 10 58041888
wiloobj@wilo.com.cn

Croatia

WILO Hrvatska d.o.o.
10430 Samobor
T +38 51 3430914
wilo-hrvatska@wilo.hr

Cuba

WILO SE
Oficina Comercial
Edificio Simona Apto 105
Siboney. La Habana. Cuba
T +53 5 2795135
T +53 7 272 2330
raul.rodriguez@wilo-cuba.com

Czech Republic

WILO CS, s.r.o.
25101 Cestlice
T +420 234 098711
info@wilo.cz

Denmark

WILO Nordic
Drejergangen 9
DK-2690 Karlslunde
T +45 70 253 312
wilo@wilo.dk

Estonia

WILO Eesti OÜ
12618 Tallinn
T +372 6 509780
info@wilo.ee

Finland

WILO Nordic
Tillinmäentie 1 A
FIN-02330 Espoo
T +358 207 401 540
wilo@wilo.fi

France

Wilo Salmson France S.A.S.
53005 Laval Cedex
T +33 2435 95400
info@wilo.fr

United Kingdom

WILO (U.K.) Ltd.
Burton Upon Trent
DE14 2WJ
T +44 1283 523000
sales@wilo.co.uk

Greece

WILO Hellas SA
4569 Anixi (Attika)
T +302 10 6248300
wilo.info@wilo.gr

Hungary

WILO Magyarország Kft
2045 Törökbálint
(Budapest)
T +36 23 889500
wilo@wilo.hu

India

Wilo Mather and Platt Pumps
Private Limited
Pune 411019
T +91 20 27442100
services@matherplatt.com

Indonesia

PT. WILO Pumps Indonesia
Jakarta Timur, 13950
T +62 21 7247676
citrawilo@cbn.net.id

Ireland

WILO Ireland
Limerick
T +353 61 227566
sales@wilo.ie

Italy

WILO Italia s.r.l.
Via Novegro, 1/A20090
Segrate MI
T +39 25538351
wilo.italia@wilo.it

Kazakhstan

WILO Central Asia
050002 Almaty
T +7 727 312 40 10
info@wilo.kz

Korea

WILO Pumps Ltd.
20 Gangseo, Busan
T +82 51 950 8000
wilo@wilo.co.kr

Latvia

WILO Baltic SIA
1019 Riga
T +371 6714-5229
info@wilo.lv

Lebanon

WILO LEBANON SARL
Jdeideh 1202 2030
Lebanon
T +961 1 888910
info@wilo.com.lb

Lithuania

WILO Lietuva UAB
03202 Vilnius
T +370 5 2136495
mail@wilo.lt

Morocco

WILO Maroc SARL
20250 Casablanca
T +212 (0) 5 22 66 09 24
contact@wilo.ma

The Netherlands

WILO Nederland B.V.
1551 NA Westzaan
T +31 88 9456 000
info@wilo.nl

Norway

WILO Nordic
Alf Bjerckes vei 20
NO-0582 Oslo
T +47 22 80 45 70
wilo@wilo.no

Poland

WILO Polska Sp. z o.o.
5-506 Lesznowola
T +48 22 7026161
wilo@wilo.pl

Portugal

Bombas Wilo-Salmson
Sistemas Hidraulicos Lda.
4475-330 Maia
T +351 22 2080350
bombas@wilo.pt

Romania

WILO Romania s.r.l.
077040 Com. Chiajna
Jud. Ilfov
T +40 21 3170164
wilo@wilo.ro

Russia

WILO Rus ooo
123592Moscow
T +7 496 514 6110
wilo@wilo.ru

Saudi Arabia

WILO Middle East KSA
Riyadh 11465
T +966 1 4624430
wshoula@wataniaind.com

Serbia and Montenegro

WILO Beograd d.o.o.
11000 Beograd
T +381 11 2851278
office@wilo.rs

Slovakia

WILO CS s.r.o., org. Zložka
83106 Bratislava
T +421 2 33014511
info@wilo.sk

Slovenia

WILO Adriatic d.o.o.
1000 Ljubljana
T +386 1 5838130
wilo.adriatic@wilo.si

South Africa

Wilo Pumps SA Pty LTD
Sandton
T +27 11 6082780
gavin.bruggen wilo.co.za

Spain

WILO Ibérica S.A.
28806 Alcalá de Henares
(Madrid)
T +34 91 8797100
wilo.iberica@wilo.es

Sweden

WILO NORDIC
Isbjörnsvägen 6
SE-352 45 Växjö
T +46 470 72 76 00
wilo@wilo.se

Switzerland

Wilo Schweiz AG
4310 Rheinfelden
T +41 61 836 80 20
info@wilo.ch

Taiwan

WILO Taiwan CO., Ltd.
24159 New Taipei City
T +886 2 2999 8676
nelson.wu@wilo.com.tw

Turkey

WILO Pompa Sistemleri
San. ve Tic. A.Ş.
34956 İstanbul
T +90 216 2509400
wilo@wilo.com.tr

Ukraine

WILO Ukraine t.o.w.
08130 Kiev
T +38 044 3937384
wilo@wilo.ua

United Arab Emirates

WILO Middle East FZE
Jebel Ali Free zone – South
PO Box 262720 Dubai
T +971 4 880 91 77
info@wilo.ae

USA

WILO USA LLC
Rosemont, IL 60018
T +1 866 945 6872
info@wilo-usa.com

Vietnam

WILO Vietnam Co Ltd.
Ho Chi Minh City, Vietnam
T +84 8 38109975
nkminh@wilo.vn



WILO USA LLC
W66 N1253 Forward Way
Cedarburg, WI 53012
USA
Phone (262) 204-6600

WILO Canada Inc.
Bay 7 - 2915
10th Ave. N.E.
Calgary, Alberta, T2A 5L4
Canada
Phone (403) 276-9456
Fax (403) 277-9456