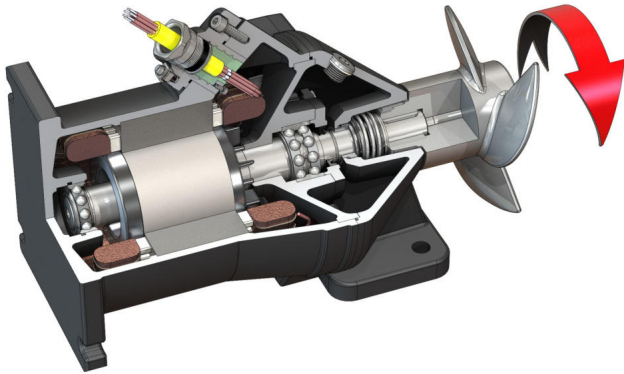


Pioneering for You

wilo

## Submersible mixer

Flumen OPTI-TR 22.174-4/8V



### Unit

Power consumption at duty point $P_{1,1}$	2.75 hp
Max. thrust $F$	64.1 lbf
Thrust to power ratio	23 lbf/hp
Max. weight* $m$	220.5 lb
Explosion protection ATEX ATEX	optional
Explosion protection FM FM	optional
Protection class motor	IP68

### Propeller

Propeller model	3-blade propeller with self-cleaning hub; clogging- and entwining-free
Nominal propeller diameter $D_{nom}$	8.7 in (*)
Propeller speed $n$	1680 RPM
Transmission ratio	1.000

### Filling quantities and types

Filling sealing chamber	White oil
Fill volume sealing chamber $V$	0.3 US gal

### Motor/electronics

Motor type	T 17-4/8V (Ex)
Motor design	Submersible motor – surface-cooled
Mains connection	3~460 V, 60 Hz
Rated current $I_N$	6.70 A
Starting current - direct $I_A$	33.00 A
Starting current - star-delta $I_A$	11.00 A
Power consumption $P_{1 max}$	6.2 hp
Rated power $P_2$	4.4 hp
Speed original $n$	1680 RPM
Motor efficiency class	-
Efficiency $\eta_M$	72.0 %
Power factor $\cos \varphi$	0.86
Min. fluid temperature $T_{min}$	37 °F
Max. fluid temperature $T_{max}$	104 °F
Max. immersion depth	66 ft
Insulation class	H
Max. switching frequency $t$	15 rph
min. switching break $t$	3 min
Starting torque $M$	31.0 lbf ft
Moment of inertia	0.17 lb ft <sup>2</sup>
Motor bearings	1 grooved ball bearing, 1 two-row inclined ball bearing

### Materials

Motor housing	ASTM A48, Class No. 35
Static gaskets	FKM Fluoro rubber
Motor shaft	AISI 420
Sealing chamber	ASTM A48, Class No. 35
Propeller	AISI 316

\*maximum weight including accessories