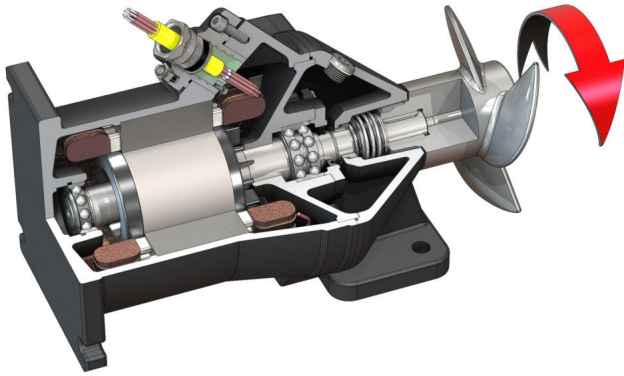


Pioneering for You

## Submersible mixer

### Flumen OPTI-TR 22.174-4/12



#### Unit

Power consumption at duty point $P_{1,1}$	2.68 hp
Max. thrust $F$	65.2 lbf
Thrust to power ratio	24 lbf/hp
Max. weight* $m$	231.5 lb
Explosion protection ATEX ATEX	optional
Explosion protection FM FM	optional
Protection class motor	IP68

#### Propeller

Propeller model	3-blade propeller with self-cleaning hub; clogging- and entwining-free
Nominal propeller diameter $D_{nom}$	8.7 in (*)
Propeller speed $n$	1680 RPM
Transmission ratio	1.000

#### Filling quantities and types

Filling sealing chamber	White oil
Fill volume sealing chamber $V$	0.3 US gal

#### Motor/electronics

Motor type	T 17-4/12R (Ex)
Motor design	Submersible motor – surface-cooled
Mains connection	3~230 V, 60 Hz
Rated current $I_N$	21.00 A
Starting current – direct $I_A$	90.00 A
Starting current – star-delta $I_A$	30.00 A
Power consumption $P_{1 max}$	9.5 hp
Rated power $P_2$	7.4 hp
Speed original $n$	1680 RPM
Motor efficiency class	-
Efficiency $\eta_M$	78.0 %
Power factor $\cos \varphi$	0.86
Min. fluid temperature $T_{min}$	37 °F
Max. fluid temperature $T_{max}$	104 °F
Max. immersion depth	66 ft
Insulation class	H
Max. switching frequency $t$	15 rph
min. switching break $t$	3 min
Starting torque $M$	49.4 lbf ft
Moment of inertia	0.26 lb ft <sup>2</sup>
Motor bearings	1 grooved ball bearing, 1 two-row inclined ball bearing

#### Materials

Motor housing	ASTM A48, Class No. 35
Static gaskets	FKM Fluoro rubber
Motor shaft	AISI 420
Sealing chamber	ASTM A48, Class No. 35
Propeller	AISI 316

\*maximum weight including accessories