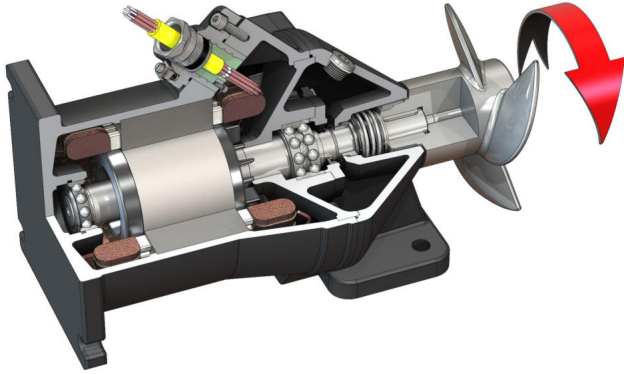


Pioneering for You

wilo

Submersible mixer

Flumen OPTI-TR 22.145-4/8V



Unit

Power consumption at duty point $P_{1,1}$	1.95 kW
Max. thrust F	320 N
Thrust to power ratio	164 N/kW
Max. weight* m	100 kg
Explosion protection ATEX ATEX	optional
Explosion protection FM FM	optional
Protection class motor	IP68

Propeller

Propeller model	3-blade propeller with self-cleaning hub; clogging- and entwining-free
Nominal propeller diameter D_{nom}	220 mm
Propeller speed n	1400 1/min
Transmission ratio	1.000

Filling quantities and types

Filling sealing chamber	White oil
Fill volume sealing chamber V	1.30 l

Motor/electronics

Motor type	T 17-4/8V (Ex)
Motor design	Submersible motor – surface-cooled
Mains connection	3~400 V, 50 Hz
Rated current I_N	5.90 A
Starting current – direct I_A	28.00 A
Starting current – star-delta I_A	10.00 A
Power consumption $P_{1 max}$	3.50 kW
Rated power P_2	2.5 kW
Speed original n	1400 1/min
Motor efficiency class	–
Efficiency η_M	72.0 %
Power factor $\cos \varphi$	0.86
Min. fluid temperature T_{min}	3 °C
Max. fluid temperature T_{max}	40 °C
Max. immersion depth	20 m
Insulation class	H
Max. switching frequency t	15 rph
min. switching break t	3 min
Starting torque M	42 Nm
Moment of inertia	0.0073 kg/m ²
Motor bearings	1 grooved ball bearing, 1 two-row inclined ball bearing

Materials

Motor housing	5.1301, EN-GJL-250
Static gaskets	FKM
Motor shaft	1.4021, X20Cr13
Sealing chamber	5.1301, EN-GJL-250
Seal on the fluid side	SiC/SiC, Q1Q1VGG
Propeller	1.4408, GX5CrNiMo19-11-2

*maximum weight including accessories