

Wilo-DDA/-DDS/-DDM/-DDG



de Einbau- und Betriebsanleitung
en Installation and operating instructions



fr Notice de montage et de mise en service
nl Inbouw- en bedieningsvoorschriften

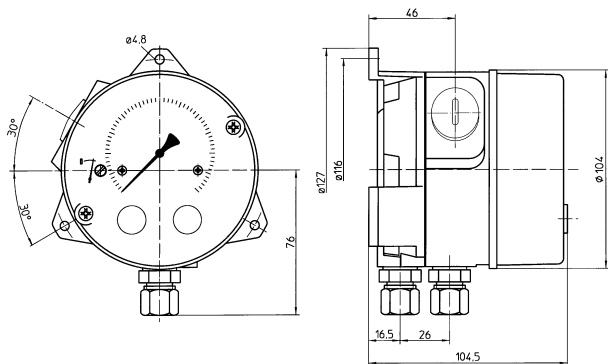


Fig. 1 DDA

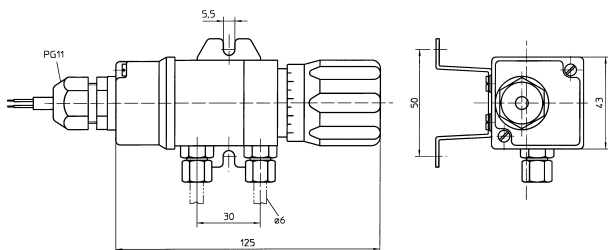


Fig. 2 DDS

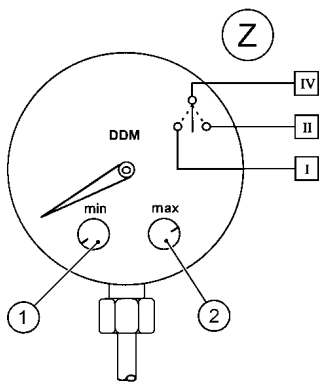
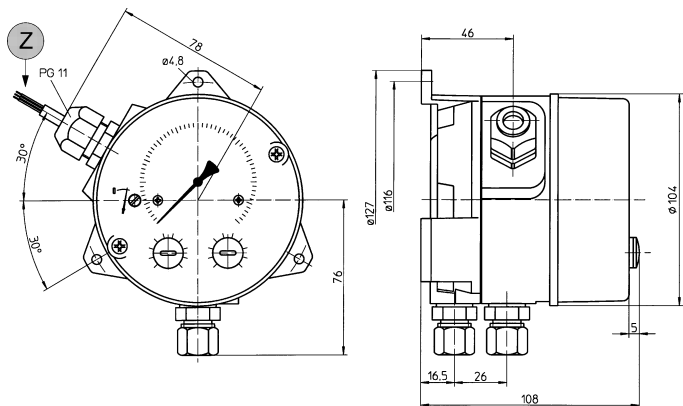


Fig. 3 DDM

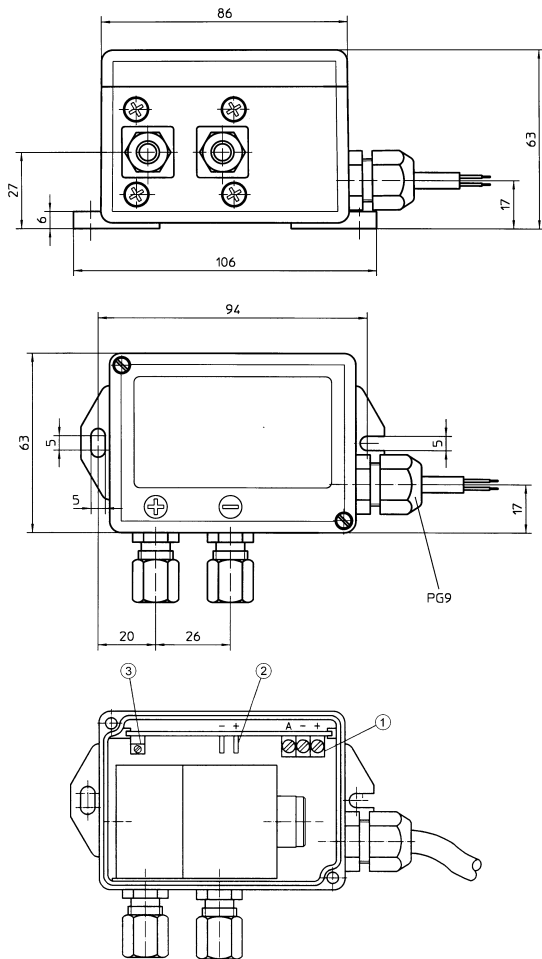


Fig. 4 DDG

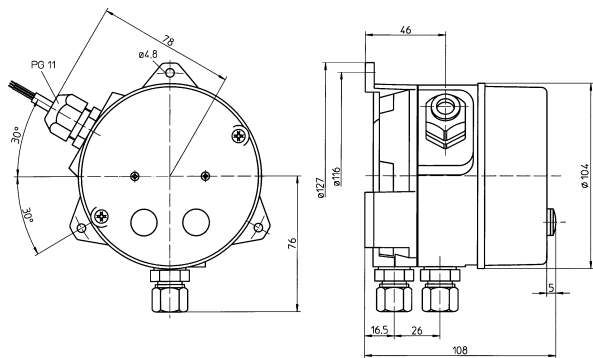


Fig. 5 DDG 2/100

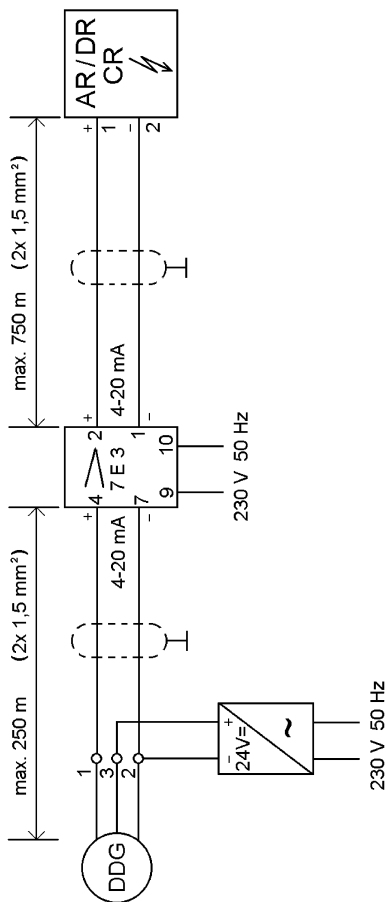


Fig. 6

1 General Information

Installation and service by qualified personnel only!

1.1 Uses

Via differential pressure measurements, signal transmitters provide the

switching signals for controlling the speed of circulating pumps and therefore for regulating the capacity of heating and similar systems.

The pressure difference indicator DDA has no signal transmitter function, but is only used for visual monitoring.

1.2 Connection and electrical data

	DDA	DDS	DDM	DDG
Output function	Display	1 x switching contact	2 x switching contact	Analog output 4-20 mA
Operating voltage / power consumption			250 V	15 – 30 V DC / 1.5 W
Max. contact rating		24 V/20 mA DC	250 V / 1 A AC	
Max. loading resistance				500 Ω
Power output				4 – 20 mA
System of protection		IP 54	IP 54	IP 54
Overpressure protection	25 bar	16 bar	16 bar	25 bar
Display / measurement range (Fig. no.)	6: 0 – 0.6 bar (1) 16: 0 – 1.6 bar (1)	6: 0 – 0.6 bar (2) 10: 0 – 1.0 bar (2) 16: 0 – 1.6 bar (2)	6: 0 – 0.6 bar (3) 10: 0 – 1.0 bar (3) 16: 0 – 1.6 bar (3) 25: 0 – 2.5 bar (3)	2: 0 – 0.2 bar (5) 10: 0 – 1.0 bar (4) 20: 0 – 2.0 bar (4) 40: 0 – 4.0 bar (4) 60: 0 – 6.0 bar (4) 100: 0 – 10.0 bar (5)
Media temperature	max. +85°C	0°C ... +80 °C		0°C ... +70 °C
Ambient temperature	-10 °C ... +80 °C	0 °C ... +40 °C		-10°C ... +50 °C
Line length standard		5 m, 2 x 0.75 mm ²	5 m, 3 x 0,75 mm ²	5 m, 3 x 0.75 mm ² screened
Extension by customer		up to 100 m: 2 x 1.5 mm ²	up to 100 m: 3 x 1.5 mm ² up to 250 m: 3 x 2.5 mm ²	up to 25 m: 3 x 0.75 mm ² screened up to 100 m: 3 x 1.5 mm ² screened up to 250 m: 3 x 2.5 mm ² screened

2 Safety

The safety instructions are to be taken from the Installation and Operating Instructions of the connected switchgear / pumps and observed at all times.

3 Transport and storage

ATTENTION! This apparatus must be protected against moisture and mechanical damage.

It should not be exposed to temperatures outside the range $-10\text{ }^{\circ}\text{C}$ to $+50\text{ }^{\circ}\text{C}$.

4 Product and accessory description

4.1 Description of the transmitter or measuring devices

The transmitter is based on a robust diaphragm measuring device for measuring differential pressure. The diaphragm in a stable housing is subjected to a negative and positive pressure as prevails on the suction and pressure side of a pump. In the case of a difference in pressure the diaphragm bends towards the side of the lower pressure. The movement of the diaphragm is brought to the attention of a mechanic. At the same time, switching contacts are activated, or the movement is converted via a sensor into an electrical output signal.

The devices are protected against overloading. In response to extreme pressure differences the diaphragm pushes against the housing wall. The devices are fitted to the wall with fasteners to be provided by the customer. The connection of the device to the pressure measuring points is manufactured with copper pipes 6 mm in diameter. The connections are cutting ring screw connections. The installation of three-way manometer taps is recommended. The measuring lines are to be laid rising from the transmitter to the measuring points, so that air trapped in the lines can escape. Otherwise the device is to be fitted with a ventilation system.

4.1.1 Differential pressure indicator DDA (Fig. 1)

The DDA is suited to a great many measuring tasks in the fields of industrial and sanitary metrology.

4.1.2 Differential pressure switch DDS (Fig 2)

The DDS is essentially used as a two-state controller for Wilo AS controlling equipment.

The switching point can be infinitely varied using the adjusting knob between 15% and 100% of the full-scale value.

Where $\Delta p_{\text{act}} \geq \text{set value}$: contact closed,

where $\Delta p_{\text{act}} < \text{set value}$: contact open.

4.1.3 Differential pressure contact manometer DDM

(Fig. 3)

The DDM is a 3-point controller for the universal assessment of differential pressure with the possibility of displaying 2 switching signals. They provide information on the area in which the differential pressure is occurring. The switch-over points can be set on the DDM.

The tappet of the diaphragm operates two micro-switches in different positions for higher or lower speed ranges. Both switches are designed as make contacts.

The switching threshold Δp_{\min} for switching in higher speed ranges is set on the left knob of the DDM (Fig. 3, pos. 1).

If $\Delta p_{\text{act}} < \Delta p_{\min}$, contact I, IV is closed. The switching threshold Δp_{\max} for switching in lower speed ranges is set on the right knob (Fig. 3, pos. 2).

If $\Delta p_{\text{act}} > \Delta p_{\max}$, contact I, II is closed. $\Delta p_{\min} < \Delta p_{\text{act}} < \Delta p_{\max}$: both contacts open.

Yellow flag	Lead no.
I	1
II	2
IV	3

4.1.4 Differential pressure transmitter DDG (Fig. 4/5)

The DDG is used as a signal transmitter for WILO controlling equipment (infinitely variable speed control). The line of motion of the tappet of the diaphragm is recorded by a measurement transformer and converted into electrical signals.

The electrical wiring is to be designed as follows:

	Terminals in DDG (Fig. 4, pos. 1)	Lead no.
+ 20 ... 30 V =	3	3
Mass ⊥	2	2
4 ... 20 mA	A	1

If the zero-point position is not correct (recognisable by life-zero message at certain switching and regulating devices, e.g. CR system), a zero-point adjustment can be made.

- Differential pressure = 0 (if necessary unscrew pressure measuring lines),
- Measurement of voltage at the pins (Fig. 4, pos. 2),
- Set voltage to 0 V using potentiometer (Fig. 4, pos. 3).

In the case of line lengths greater than 250 m the DDG requires a measuring transducer (amplifier) to amplify the signal and a 24 V power supply unit for the power supply, which can be supplied as accessories (Fig. 6).

4.2 Products delivered

- Signal transmitter or indicator
- 2 cutting ring screw connections to DIN 3862, 6 mm diameter
- 2 Angle cutting ring screw connections R ½ x 6 mm diameter
- 5 m screened cable
- Installation and Operating Instructions

4.3 Accessories

Accessories must be ordered separately.

- 24 V = power supply unit for DDG
- Measuring transducer 7E3 (amplifier) for DDG, 230 V, 50 Hz

5 Maintenance

The devices are maintenance-free.

6 Problems, Causes and Solutions

If the fault cannot be remedied, please contact your plumbing and heating specialist or your nearest WILO customer services or representative.

Wilo – International (Subsidiaries)

Argentina

WILO SALMSON
Argentina S.A.
C.1295AB1 Ciudad
Autónoma de Buenos Aires
T +54 11 4361 5929
info@salmson.com.ar

Australia

WILO Australia Pty Limited
Murrarie, Queensland,
4172
T +61 7 3907 6900
chris.dayton@wilo.com.au

Austria

WILO Pumpen
Österreich GmbH
2351 Wiener Neudorf
T +43 507 507-0
office@wilo.at

Azerbaijan

WILO Caspian LLC
1065 Baku
T +994 12 59642372
info@wilo.az

Belarus

WILO Bel IOOO
220035 Minsk
T +375 17 3963446
wilo@wilo.by

Belgium

WILO NV/SA
1083 Ganshoren
T +32 2 4823333
info@wilo.be

Bulgaria

WILO Bulgaria EOOD
1125 Sofia
T +359 2 9701970
info@wilo.bg

Brazil

WILO Comercio e
Importação Ltda
Jundiaí – São Paulo – Brasil
13.213-105
T +55 11 2923 9456
wilo@wilo-brasil.com.br

Canada

WILO Canada Inc.
Calgary, Alberta T2A 5L7
T +1 403 2769456
info@wilo-canada.com

China

WILO China Ltd.
101300 Beijing
T +86 10 58041888
wiloobj@wilo.com.cn

Croatia

WILO Hrvatska d.o.o.
10430 Samobor
T +38 51 3430914
wilo-hrvatska@wilo.hr

Cuba

WILO SE
Oficina Comercial
Edificio Simona Apto 105
Siboney, La Habana, Cuba
T +53 5 2795135
T +53 7 272 2330
raul.rodriguez@wilo-
cuba.com

Czech Republic

WILO CS, s.r.o.
25101 Cestlice
T +420 234 098711
info@wilo.cz

Denmark

WILO Danmark A/S
2690 Karlslunde
T +45 70 253312
wilo@wilo.dk

Estonia

WILO Eesti OÜ
12618 Tallinn
T +372 6 509780
info@wilo.ee

Finland

WILO Finland OY
02330 Espoo
T +358 207401540
wilo@wilo.fi

France

Wilo Salmson France S.A.S.
53005 Laval Cedex
T +33 2435 95400
info@wilo.fr

Great Britain

WILO (U.K.) Ltd.
Burton Upon Trent
DE14 2WJ
T +44 1283 523000
sales@wilo.co.uk

Greece

WILO Hellas SA
14569 Anixi (Attika)
T +302 10 6248300
wilo.info@wilo.gr

Hungary

WILO Magyarország Kft
2045 Torökbálint
(Budapest)
T +36 23 889500
wilo@wilo.hu

India

Mather and Platt Pumps Ltd.
Pune 411019
T +91 20 27442100
services@matherplatt.com

Indonesia

PT. WILO Pumps Indonesia
Jakarta Timur, 13950
T +62 21 7247676
citrawilo@cbn.net.id

Ireland

WILO Ireland
Limerick
T +353 61 227566
sales@wilo.ie

Italy

WILO Italia s.r.l.
20068 Peschiera Borromeo
(Milano)
T +39 25538351
wilo.italia@wilo.it

Kazakhstan

WILO Central Asia
050002 Almaty
T +7 727 2785961
info@wilo.kz

Korea

WILO Pumps Ltd.
618-220 Gangseo, Busan
T +82 51 950 8000
wilo@wilo.co.kr

Latvia

WILO Baltic SIA
1019 Riga
T +371 6714-5229
info@wilo.lv

Lebanon

WILO LEBANON SARL
Jdeideh 1202 2030
Lebanon
T +961 1 888910
info@wilo.com.lb

Lithuania

WILO Lietuva UAB
03202 Vilnius
T +370 5 2136495
mail@wilo.lt

Morocco

WILO Maroc SARL
20250 Casablanca
T +212 (0) 5 22 66 09 24
contact@wilo.ma

The Netherlands

WILO Nederland B.V.
1551 NA Westzaan
T +31 88 94 56 000
info@wilo.nl

Norway

WILO Norge AS
0975 Oslo
T +47 22 804570
wilo@wilo.no

Poland

WILO Polska Sp. z o.o.
05-506 Lesznowola
T +48 22 7026161
wilo@wilo.pl

Portugal

Bombas Wilo – Salmson
– Sistemas Hidráulicos Lda.
4050-040 Porto
T +351 22 2080350
bombas@wilo.pt

Romania

WILO Romania s.r.l.
077040 Com. Chiajna
Jud. Ilfov
T +40 21 3170164
wilo@wilo.ro

Russia

WILO Rus ooo
123592 Moscow
T +7 495 7810690
wilo@wilo.ru

Saudi Arabia

WILO ME – Riyadh
Riyadh 11465
T +966 1 4624430
wshoula@wataniaind.com

Serbia and Montenegro

WILO Beograd d.o.o.
11000 Beograd
T +381 11 2851278
office@wilo.rs

Slovakia

WILO CS s.r.o., org. Zložka
83106 Bratislava
T +421 2 53014511
info@wilo.sk

Slovenia

WILO Adriatic d.o.o.
1000 Ljubljana
T +386 4 3813130
wilo.adriatic@wilo.si

South Africa

Salmson South Africa
2065 Sandton
T +27 11 6082780
patrick.hulley@
salmson.co.za

Spain

WILO Ibérica S.A.
28806 Alcalá de Henares
(Madrid)
T +34 91 8797100
wilo.iberica@wilo.es

Sweden

WILO NORDIC AB
35033 Växjö
T +46 470 727600
wilo@wilo.se

Switzerland

EMB Pumpen AG
4310 Rheinfelden
T +41 61 83680-20
info@emb-pumpen.ch

Taiwan

WILO Taiwan CO., Ltd.
24159 New Taipei City
T +886 2 2999 8676
nelson.wu@wilo.com.tw

Turkey

WILO Pompa Sistemleri
San. ve Tic. A.Ş.,
34956 İstanbul
T +90 216 2509400
wilo@wilo.com.tr

Ukraine

WILO Ukraina t.o.w.
08130 Kiev
T +38 044 3937384
wilo@wilo.ua

United Arab Emirates

WILO Middle East FZE
Jebel Ali Free Zone–South
PO Box 262720 Dubai
T +971 4 880 91 77
info@wilo.ae

USA

WILO USA LLC
Rosemont, IL 60018
T +1 866 945 6872
info@wilo-usa.com

Vietnam

WILO Vietnam Co Ltd.
Ho Chi Minh City, Vietnam
T +84 8 38109975
nkminh@wilo.vn

wilo

Pioneering for You

WILO SE
Nortkirchenstraße 100
D-44263 Dortmund
Germany
T +49(0)231 4102-0
F +49(0)231 4102-7363
wilo@wilo.com
www.wilo.com