

Pioneering for You



Expansion Tanks for Heating, Cooling, and Potable Water Applications

Wilo MaxAir™

Hydropneumatic Pressure Tanks – NSF61 Certified



NSF / ANSI 61

Wilo MaxAir™

Features & Benefits



Features & Benefits

- NSF Standard 61, IAPMO R&T UPC approved
- Polypropylene liner to ensure long durability
- Butyl diaphragm to assure long life and safety
- Corrosion resistant durable baked epoxy coating
- Leak free, O-ring sealed air valve cap
- 100% pressure tested
- No maintenance needed
- 304 Stainless Steel water connection

NSF / ANSI 61

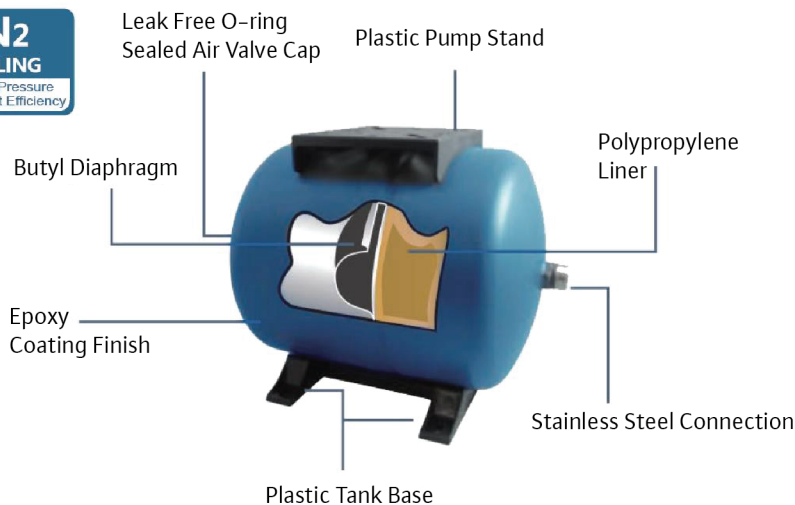
Applications

- Water storage
- Water pressure boosting
- Water transfer

Operating Conditions

- Max. Working Pressure: 150 psi
- Max. Working Temperature: 195°F

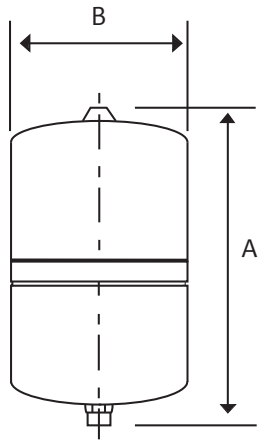
N₂
FILLING
Stable Pressure
with Best Efficiency



Volume	Type
1 - 10 Gal	Inline
14 - 120 Gal	Vertical with Base
4.5 - 20 Gal	Horizontal with Base

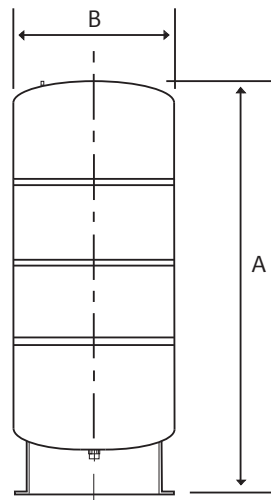
Wilo MaxAir™

Weights & Dimensions



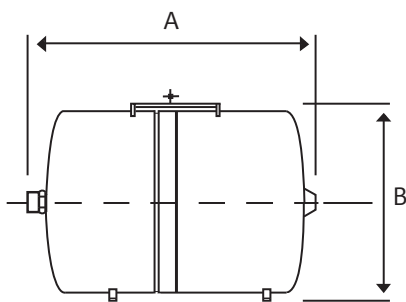
In-line Type

Vertical Inline			Dimensions		
Model	Tank Volume		Connection Dimensions	A In.	B In.
	Gal	Lbs.			
WMAX-03	0.35	6.84	½"	7.9	5.1
WMAX-05	0.5	10.4	¾"	8.5	5.1
WMAX-20	2	5.07	¾"	11.4	8
WMAX-30	3.2	7.06	¾"	15.4	9.1
WMAX-45	4.5	8.16	¾"	15.4	11
WMAX-60	6	10.6	¾"	16.3	11.6
WMAX-100	10	15.0	¾"	21.7	11.6



Vertical Type With Base

Vertical Inline with Base			Dimensions		
Model	Tank Volume		Connection Dimensions	A In.	B In.
	Gal	Lbs.			
WMAX-215	14	24.3	1"	23.6	15
WMAX-220	20	32.2	1"	30.7	15
WMAX-225	28	40.6	1"	30.1	16.9
WMAX-230	32	50.1	1"	44.1	15
WMAX-235	34	54.1	1¼"	29.5	22
WMAX-245	44	61.3	1¼"	36	22
WMAX-255	62	83.2	1¼"	45.7	22
WMAX-305	81	104	1¼"	57.1	22
WMAX-350	120	159	1¼"	55.2	25.6



Horizontal Type With Base

Horizontal with Base			Dimensions		
Model	Tank Volume		Connection Dimensions	A In.	B In.
	Gal	Lbs.			
WMAX-H-45	4.5	9.7	¾"	15.4	12
WMAX-H-60	6	11.9	¾"	16.3	12.6
WMAX-H-100	10	16.4	¾"	21.7	12.6
WMAX-H-215	14	24.5	1"	22	17
WMAX-H-220	20	32.5	1"	32	17



13-12-001-0916

Pioneering for You

WILO USA LLC

+1 262-204-6600
www.wilo-usa.com
info.us@wilo.com