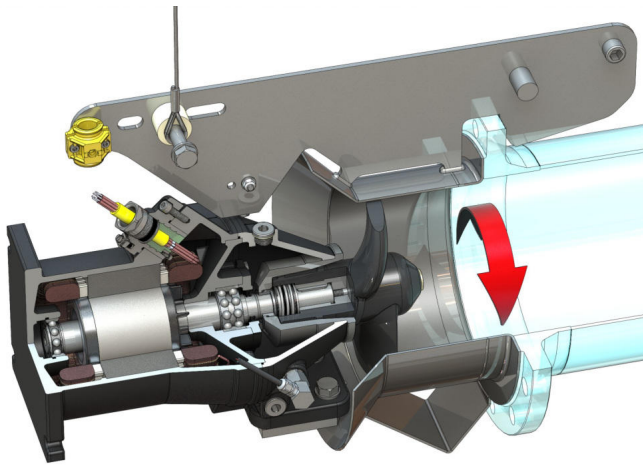


Pioneering for You

wilo

Recirculation Pump

EMU RZP 25-2.145-4/24 K3



Materials

| | |
|------------------------|---------------------------|
| Motor housing | 5.1301, EN-GJL-250 |
| Static gaskets | FKM |
| Motor shaft | 1.4021, X20Cr13 |
| Seal on motor side | FKM |
| Sealing chamber | 5.1301, EN-GJL-250 |
| Seal on the fluid side | SiC/SiC, Q1Q1VGG |
| Propeller hub | 1.4571, X6CrNiMoTi17-12-2 |
| Propeller | PUR Polyurethane |
| Flow housing | 1.4571, X6CrNiMoTi17-12-2 |

Unit

| | |
|---------------------------|----------|
| Max. weight* <i>m</i> | 113 kg |
| Explosion protection ATEX | optional |
| Explosion protection FM | optional |
| Protection class motor | IP68 |

Propeller

| | |
|----------------------------|--|
| Propeller model | 3-blade propeller with self-cleaning hub; backward-curved as a result clogging- and entwining-free |
| Nominal propeller diameter | 250 mm |
| Propeller speed <i>n</i> | 1417 1/min |
| Transmission ratio | 1.000 |

Filling quantities and types

| | |
|--------------------------------------|-----------|
| Filling sealing chamber | White oil |
| Fill volume sealing chamber <i>V</i> | 1.10 l |

Motor/electronics

| | |
|-------------------------------------|---|
| Motor type | T 17-4/24R (Ex) |
| Motor design | Submersible motor acc. IEC 60034-1 |
| Mains connection | 3~400 V, 50 Hz |
| Rated current I_N | 21.00 A |
| Starting current - direct I_A | 123.00 A |
| Starting current - star-delta I_A | 41.00 A |
| Power consumption $P_{1 max}$ | 12.20 kW |
| Rated power P_2 | 10.00 kW |
| Speed original <i>n</i> | 1417 1/min |
| Motor efficiency class | - |
| Efficiency η_M | 82.0 % |
| Power factor $\cos \varphi$ | 0.85 |
| Min. fluid temperature <i>T</i> | 3 °C |
| Max. fluid temperature <i>T</i> | 40 °C |
| Max. immersion depth | 20 m |
| Insulation class | H |
| Max. switching frequency <i>t</i> | 15 1/h |
| min. switching break <i>t</i> | 3 min |
| Starting torque <i>M</i> | 150 Nm |
| Moment of inertia | 0.01340 kg/m ² |
| Motor bearings | 1 grooved ball bearing, 1 two-row inclined ball bearing |

*maximum weight including accessories